

US00D747921S

(12) **United States Design Patent**
Hakim

(10) **Patent No.:** **US D747,921 S**
(45) **Date of Patent:** **** Jan. 26, 2016**

- (54) **DRINKING CUP CAP**
- (71) Applicant: **Admar International, Inc.**, Monroe, LA (US)
- (72) Inventor: **Nouri Edward Hakim**, Monroe, LA (US)
- (73) Assignee: **Admar International, Inc.**, Monroe, LA (US)
- (**) Term: **14 Years**
- (21) Appl. No.: **29/511,902**
- (22) Filed: **Dec. 15, 2014**

D370,828 S *	6/1996	Green	D7/510
D371,048 S *	6/1996	Green	D7/510
D379,149 S *	5/1997	Powell	D9/447
D385,745 S *	11/1997	Valentinitsch	D7/300.1
D408,220 S *	4/1999	Chomik	D7/510
5,967,307 A	10/1999	Wang		
D421,878 S	3/2000	Roehrig		
6,050,433 A *	4/2000	Russell	B65D 47/2043 215/229
6,321,931 B1	11/2001	Hakim et al.		
D464,434 S	10/2002	Morano		
D511,436 S	11/2005	Giddings et al.		
D515,867 S	2/2006	Randolph et al.		
D579,721 S	11/2008	Qian		
D579,722 S	11/2008	Sakulsacha et al.		
D608,148 S	1/2010	Lane		
D627,594 S *	11/2010	Boonprasop	D7/392.1
D627,639 S *	11/2010	Ziegler	D9/443
D634,439 S	3/2011	Hakim		
D642,436 S	8/2011	Schofield et al.		
D654,793 S *	2/2012	Rosbach	D9/436
D667,558 S	9/2012	Hakim		

Related U.S. Application Data

- (62) Division of application No. 29/461,458, filed on Jul. 23, 2013, now Pat. No. Des. 721,914.

- (51) **LOC (10) Cl.** **07-01**
- (52) **U.S. Cl.**
USPC **D7/396.2**

- (58) **Field of Classification Search**
USPC D9/434-436, 439-440, 443, 447-450, D9/523, 524, 661, 662; D7/509-512, 518, D7/521, 523, 529, 532, 392.1, 396.2, 393, D7/531, 534, 392; D24/196, 197
CPC A47G 19/2272; A47G 19/2266; A47G 19/2288; A61J 9/00; A61J 9/0623; B65D 47/2043
See application file for complete search history.

(56) **References Cited**

U.S. PATENT DOCUMENTS

D210,565 S *	3/1968	Kearney	D9/450
D315,213 S	3/1991	Ohnuki		
5,273,172 A *	12/1993	Rosbach	B65D 47/2043 215/229

(Continued)

Primary Examiner — Susan Bennett Hattan

Assistant Examiner — Brett Miller

(74) *Attorney, Agent, or Firm* — Husch Blackwell LLP

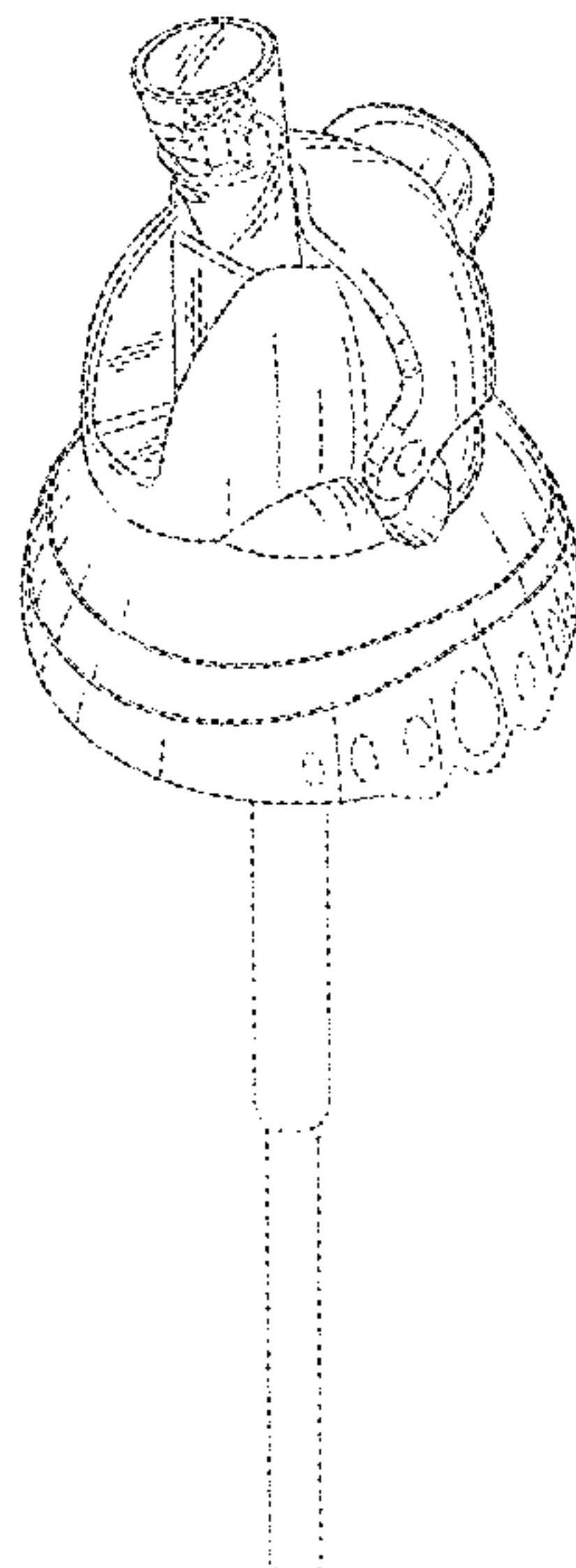
(57) **CLAIM**

An ornamental design for a drinking cup cap, as shown and described.

DESCRIPTION

FIG. 1 is a perspective view of the drinking cup cap;
 FIG. 2 is a front elevation view thereof;
 FIG. 3 is a rear elevation view thereof;
 FIG. 4 is a left side elevation view, the right side view being a mirror image thereof;
 FIG. 5 is a top plan view thereof; and,
 FIG. 6 is a bottom view thereof.
 The broken lines in the drawings depict unclaimed portions of the drinking cup cap and forms no part of the claimed design.

1 Claim, 5 Drawing Sheets



(56)

References Cited

U.S. PATENT DOCUMENTS

D671,793 S	12/2012	Hakim					
D675,062 S	1/2013	Dunn et al.					
D675,525 S *	2/2013	Hanai	D9/447				
D679,948 S	4/2013	Meyer et al.					
D682,034 S *	5/2013	El-Saden	D7/510				
D683,188 S *	5/2013	Gold	D7/510				
D683,189 S *	5/2013	Thomas	D7/510				
D686,453 S	7/2013	Smiedt et al.					
D688,524 S	8/2013	Hsu					
D693,177 S	11/2013	Tollman					
D699,068 S	2/2014	Dunn et al.					
				D699,857 S	2/2014	Py	
				D708,901 S	7/2014	Dunn et al.	
				D709,320 S	7/2014	Jagger	
				D730,697 S *	6/2015	Johnson	D7/510
				2003/0066839 A1	4/2003	Connors et al.	
				2005/0056614 A1	3/2005	Morano et al.	
				2009/0255944 A1 *	10/2009	Yamashita	A47G 19/2266 220/705
				2011/0198361 A1 *	8/2011	Chen	A47G 19/2266 220/709
				2014/0103041 A1	4/2014	Randolph et al.	
				2014/0158699 A1 *	6/2014	Kim	A47G 19/2288 220/592.17

* cited by examiner

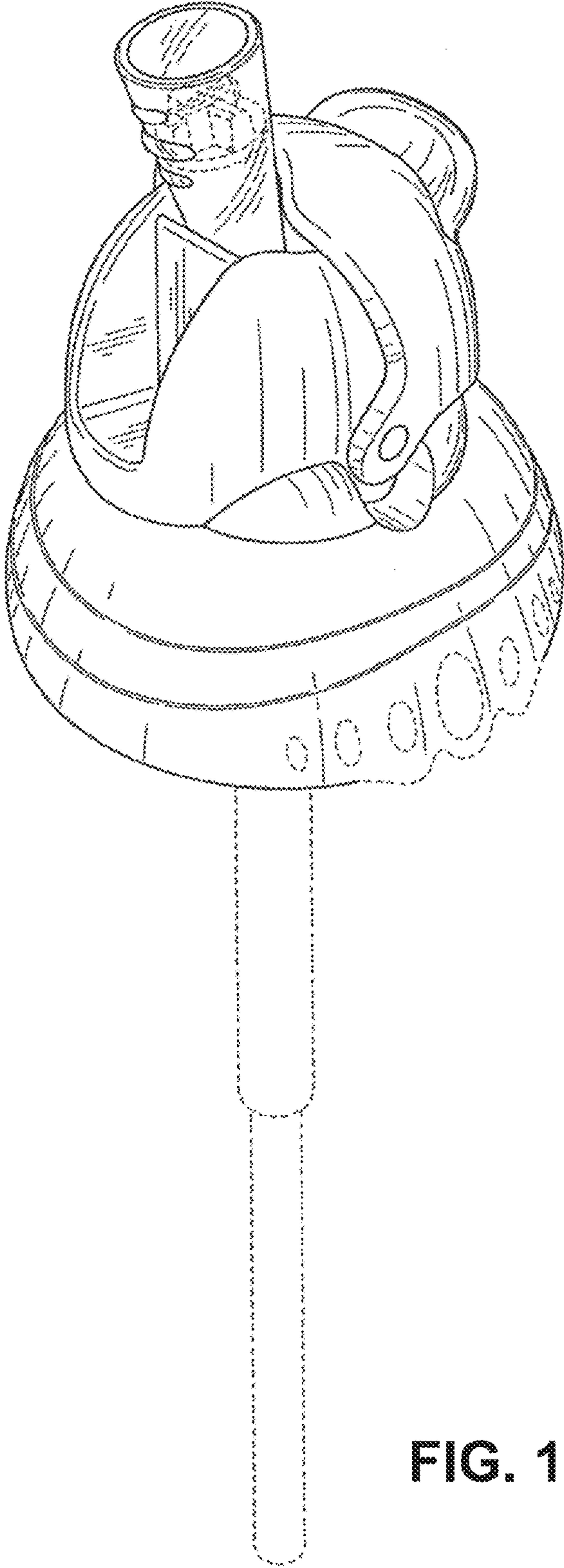


FIG. 1

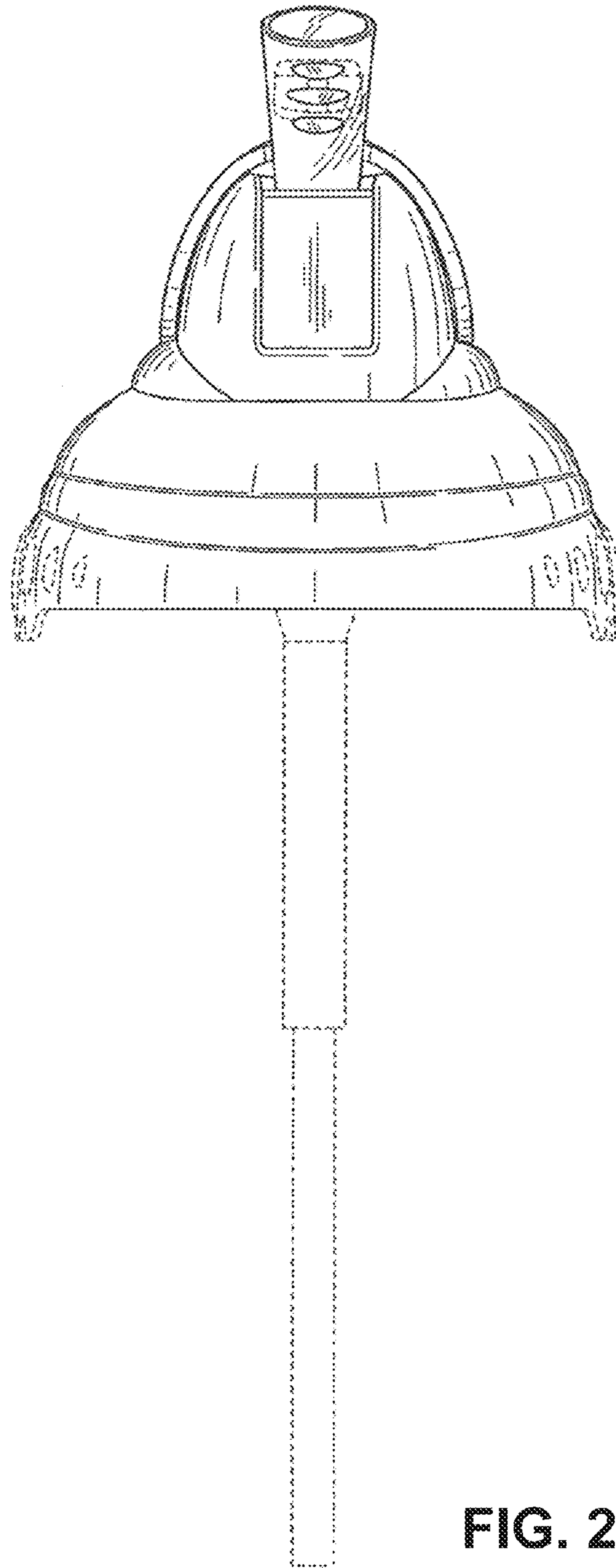


FIG. 2

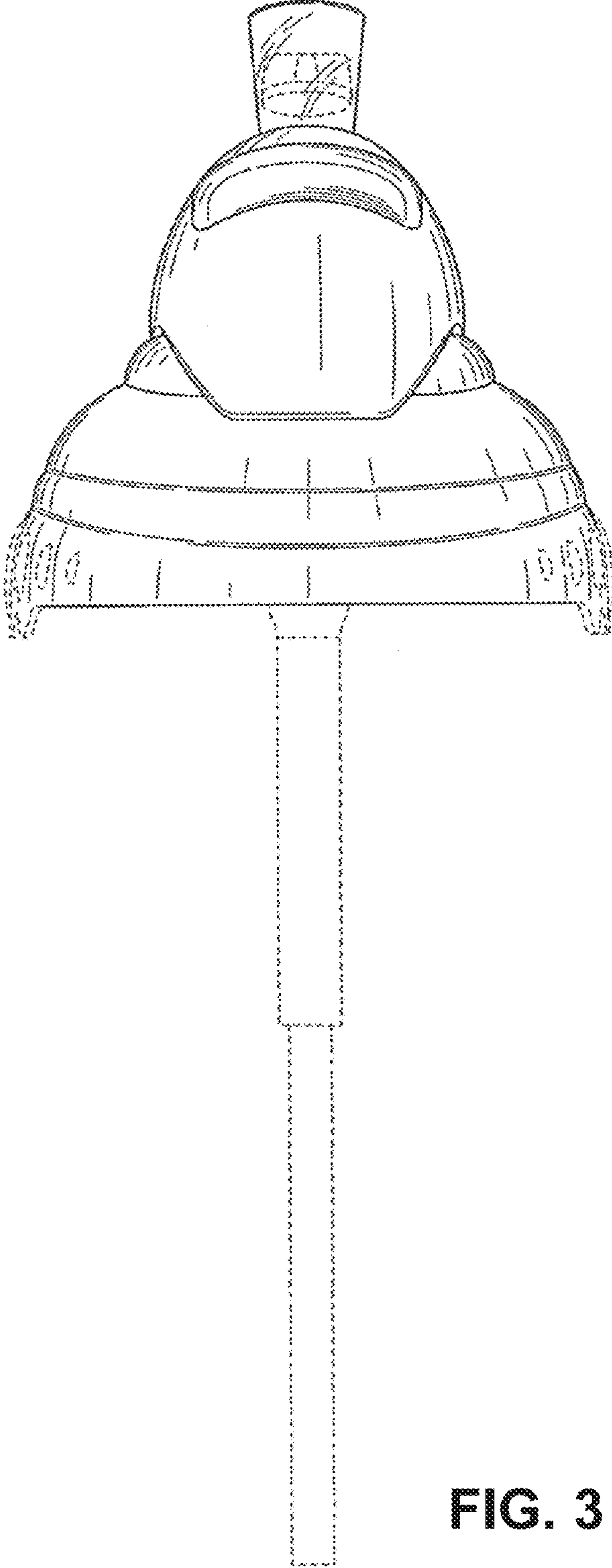


FIG. 3

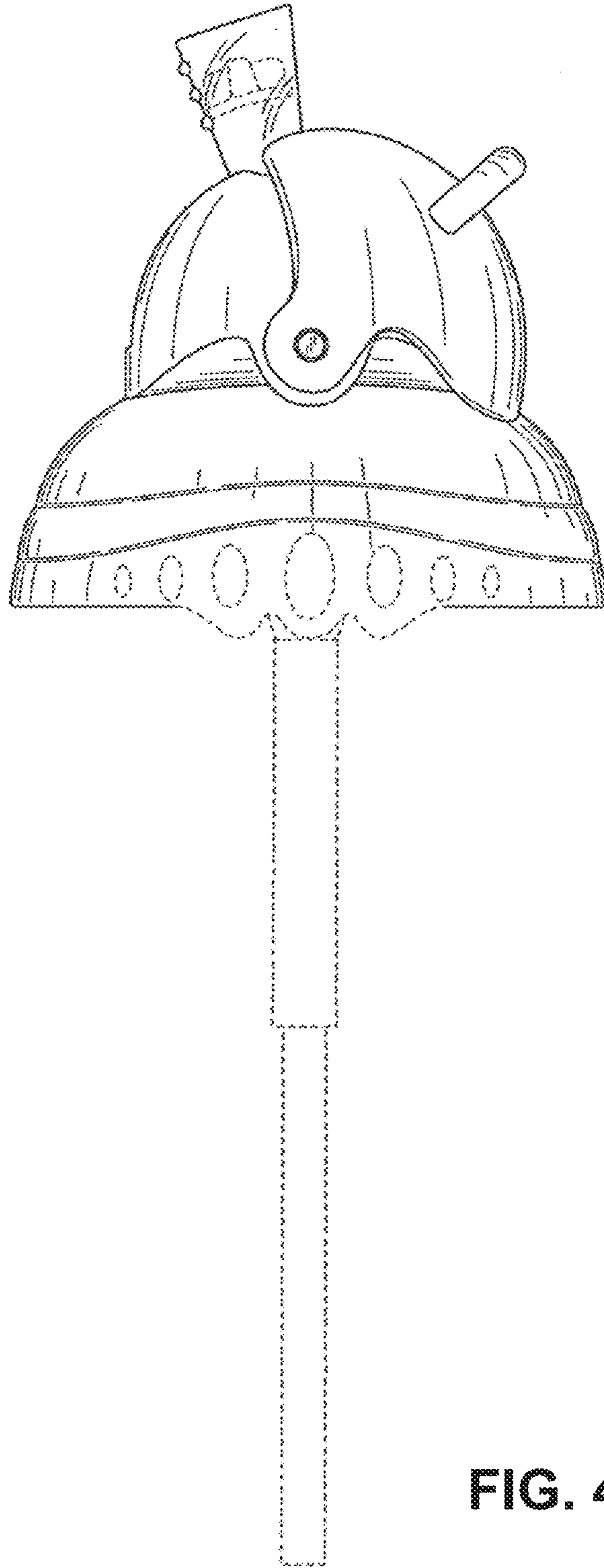


FIG. 4

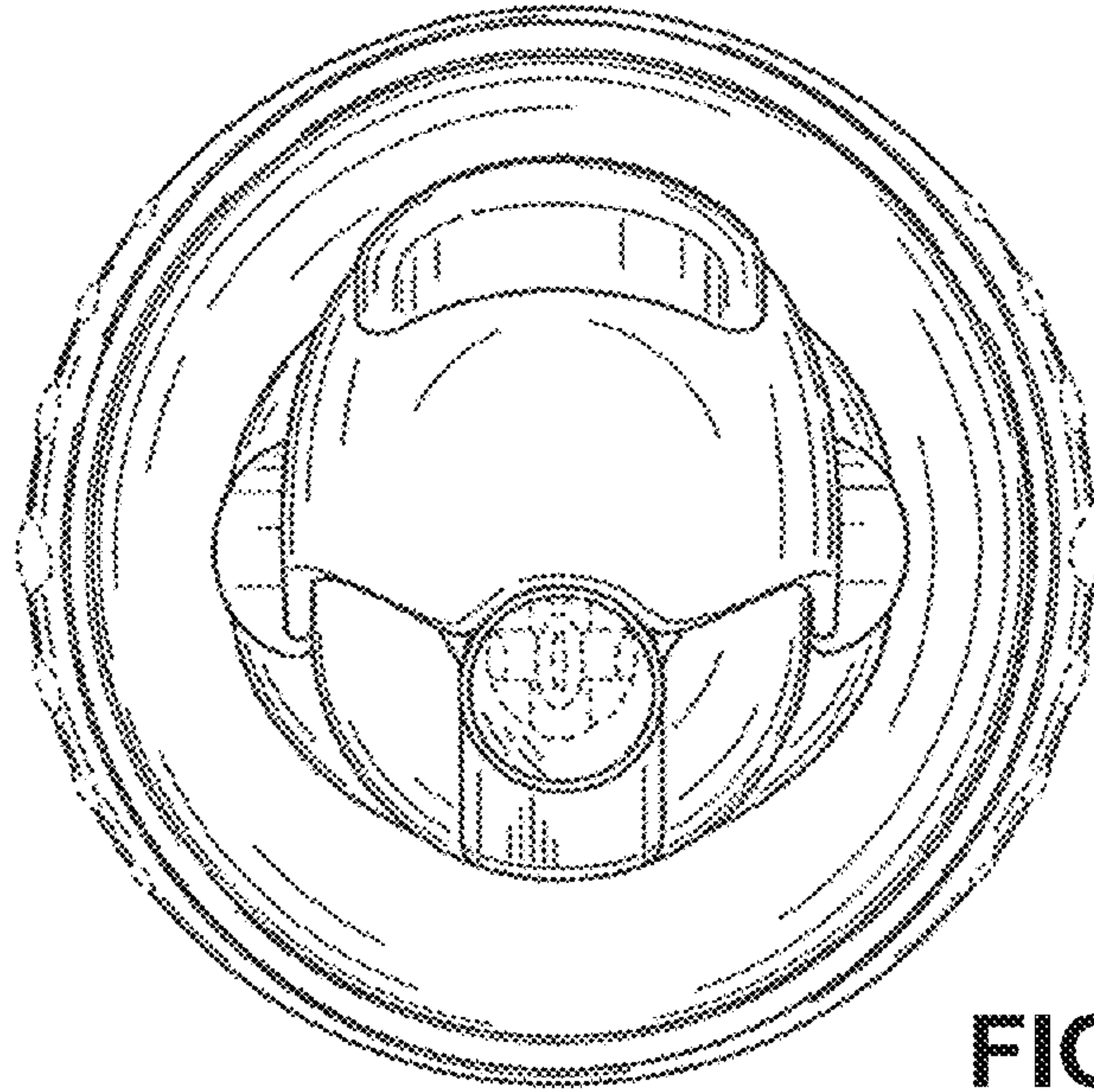


FIG. 5

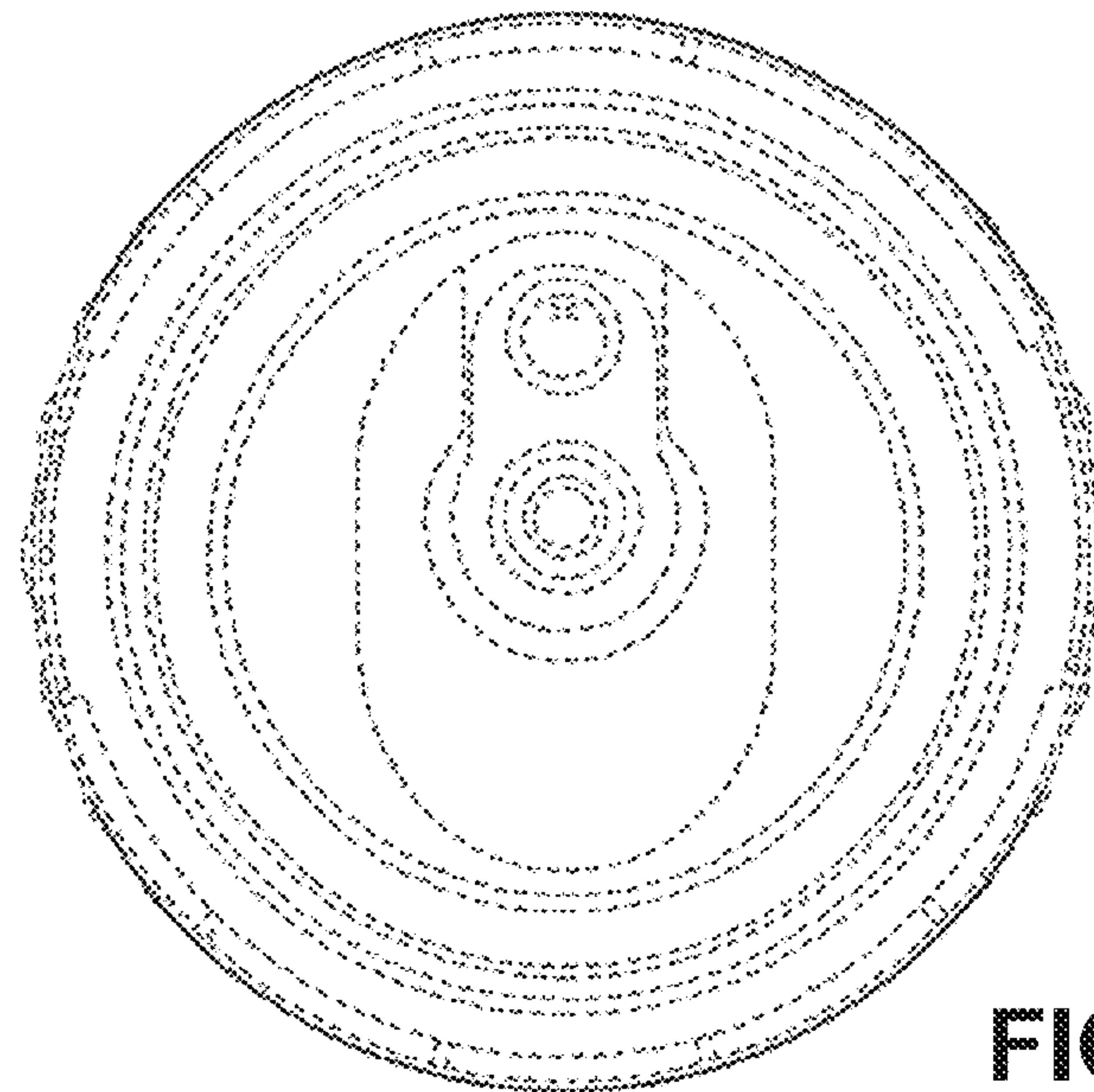


FIG. 6