

US00D747918S

(12) **United States Design Patent**
Herbst et al.

(10) **Patent No.:** **US D747,918 S**
(45) **Date of Patent:** **** Jan. 26, 2016**

(54) **DRINKING AND MISTING BOTTLE WITH
OBROUND CARRYING LOOP**

(71) Applicant: **O2Cool, LLC**, Chicago, IL (US)

(72) Inventors: **Scot Herbst**, Santa Cruz, CA (US);
Qiang Zeng, Shenzhen (CN)

(73) Assignee: **O2Cool, LLC**, Chicago, IL (US)

(**) Term: **14 Years**

(21) Appl. No.: **29/494,333**

(22) Filed: **Jun. 19, 2014**

(51) **LOC (10) Cl.** **07-99**

(52) **U.S. Cl.**
USPC **D7/392.1**; D7/396.2; D9/448

(58) **Field of Classification Search**
USPC D7/507-511, 523, 532, 533, 534, 536,
D7/591, 589, 590, 608, 391, 392, 392.1,
D7/396.1, 396.2, 900, 387, 213, 531, 300,
D7/300.1; D9/695, 696, 697, 700, 701,
D9/711, 712, 715, 718, 719, 726, 727, 776,
D9/501, 505, 504, 503, 537, 535, 563, 547,
D9/544, 905, 569, 516, 442, 440, 685,
D9/448; D28/9, 75, 76, 88; D27/172, 173,
D27/183, 186; 206/270, 259, 265, 121, 499,
206/212; D24/224; 220/703, 711, 254.3,
220/254.7, 669; 215/235, 306
CPC A45F 3/16; A47G 19/2266; G01K 1/083;
B65D 51/26; B65D 85/12; B65D 23/065;
B65D 1/265; B65D 55/16; B65D 47/066;
A24F 25/02; A45D 33/00; G01F 9/00
See application file for complete search history.

(56) **References Cited**

U.S. PATENT DOCUMENTS

D411,801 S * 7/1999 Kinneir D9/448
D451,023 S * 11/2001 Kitamura D9/449
D529,339 S * 10/2006 Carreno D7/511
D533,061 S * 12/2006 Li D9/443

D590,661 S * 4/2009 Kitamura D7/510
D592,012 S * 5/2009 Carreno D7/510
D596,460 S * 7/2009 Nezu D7/510
D608,640 S * 1/2010 Carreno D9/449
D619,418 S * 7/2010 Nezu D7/510
RE42,484 E * 6/2011 Kitamura D7/510
D686,040 S * 7/2013 Lane D7/510
D686,871 S * 7/2013 Lane D7/392.1
D690,558 S * 10/2013 Lane D7/510
8,550,269 B2 * 10/2013 Lane B65D 47/066
215/229
D700,515 S * 3/2014 Herbst D9/448
8,689,989 B2 * 4/2014 Lane A45F 3/16
215/237
D718,626 S * 12/2014 Lane D9/449
D725,966 S * 4/2015 Boroski D7/511
D734,151 S * 7/2015 Herbst D9/448
2011/0170807 A1 * 7/2011 Khubani B65D 47/0842
383/81

* cited by examiner

Primary Examiner — Marianne Pandozzi

Assistant Examiner — Jae Liang

(74) *Attorney, Agent, or Firm* — Thompson Coburn LLP

(57) **CLAIM**

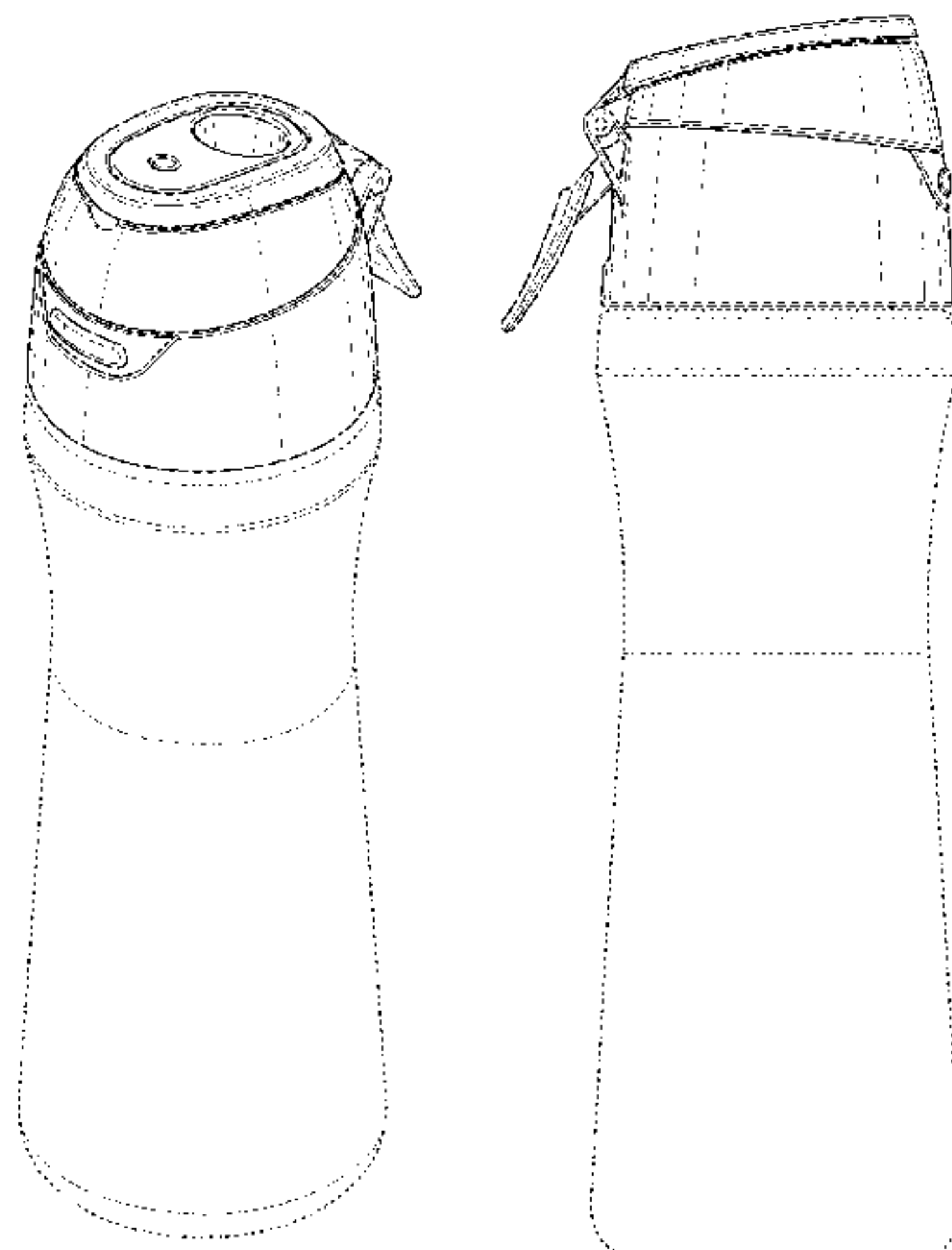
We claim the ornamental design for a drinking and misting bottle with obround carrying loop, as shown and described.

DESCRIPTION

FIG. 1 is a top right perspective view of a drinking and misting bottle with obround carrying loop showing our new design; FIG. 2 is a bottom left perspective view thereof; FIG. 3 is a front view thereof; FIG. 4 is a left side view thereof; FIG. 5 is a rear view thereof; FIG. 6 is a right side view thereof; FIG. 7 is a top plan view thereof; and, FIG. 8 is a bottom view thereof.

The broken lines shown in the figure drawings are directed to environment and are for illustrative purposes only; the broken lines form no part of the claimed design.

1 Claim, 7 Drawing Sheets



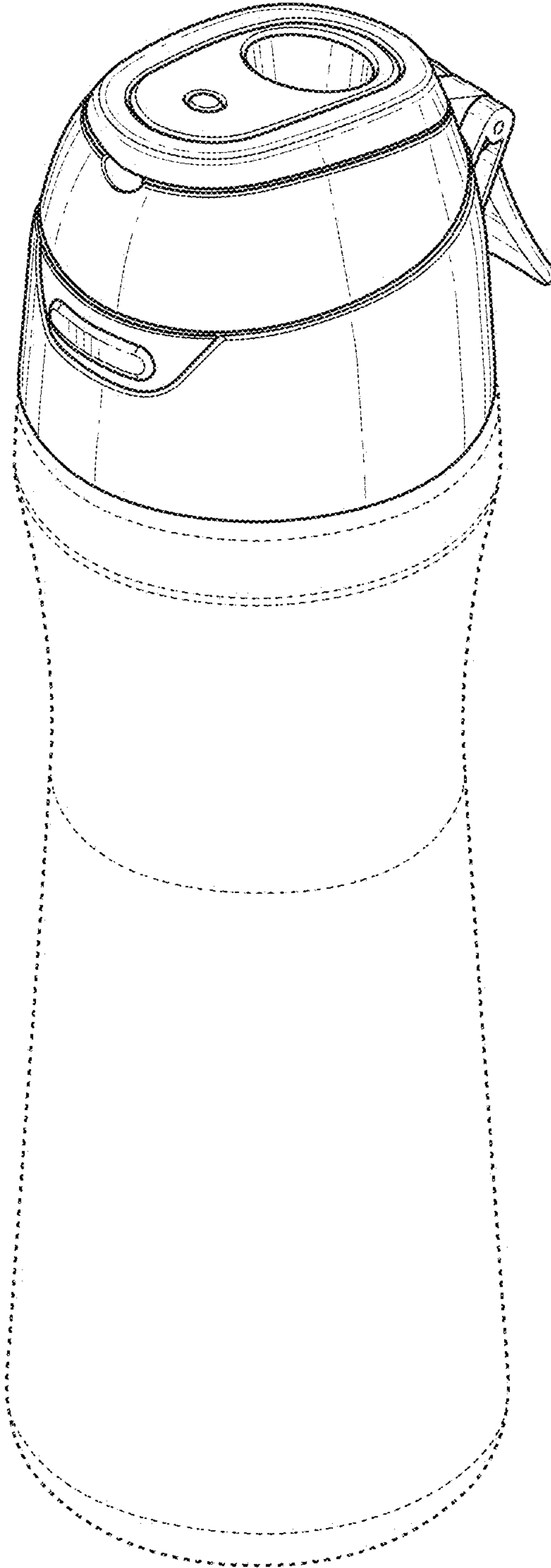


FIG. 1

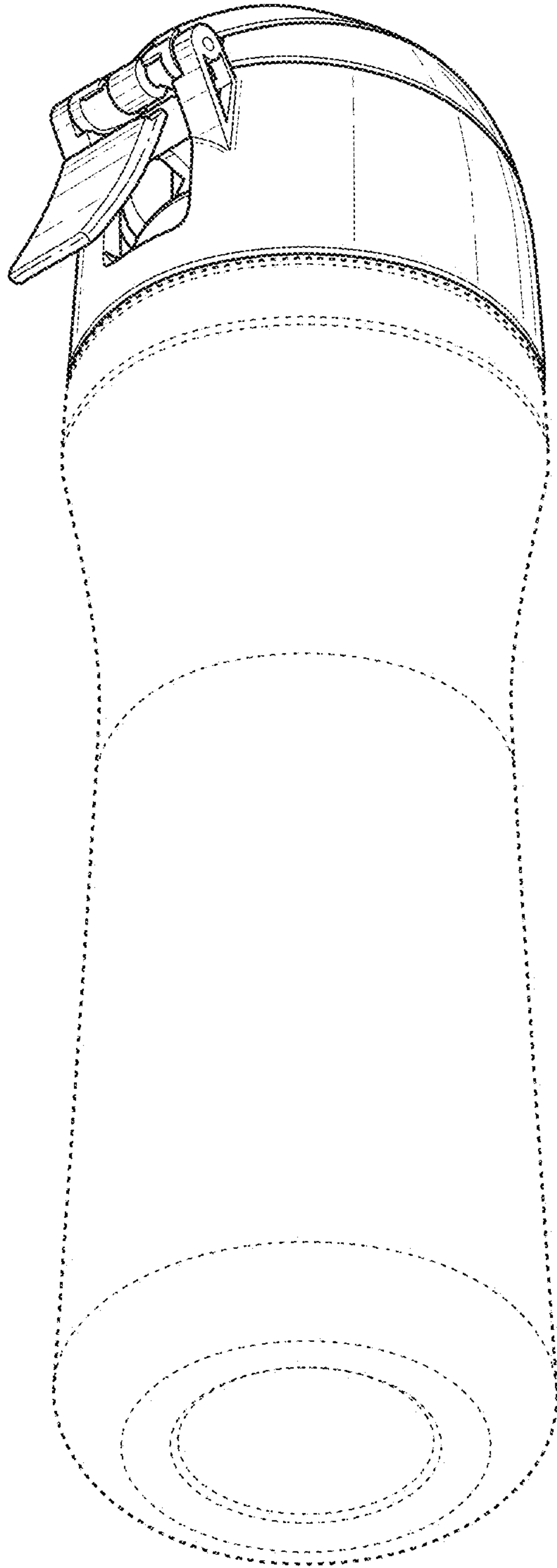


FIG. 2

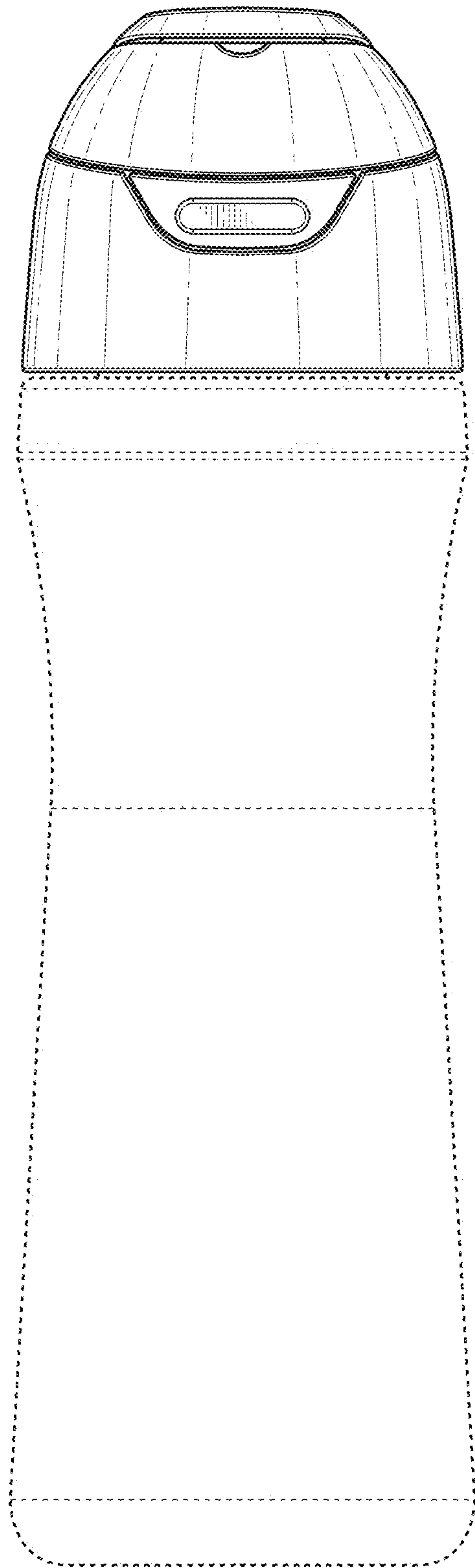


FIG. 3

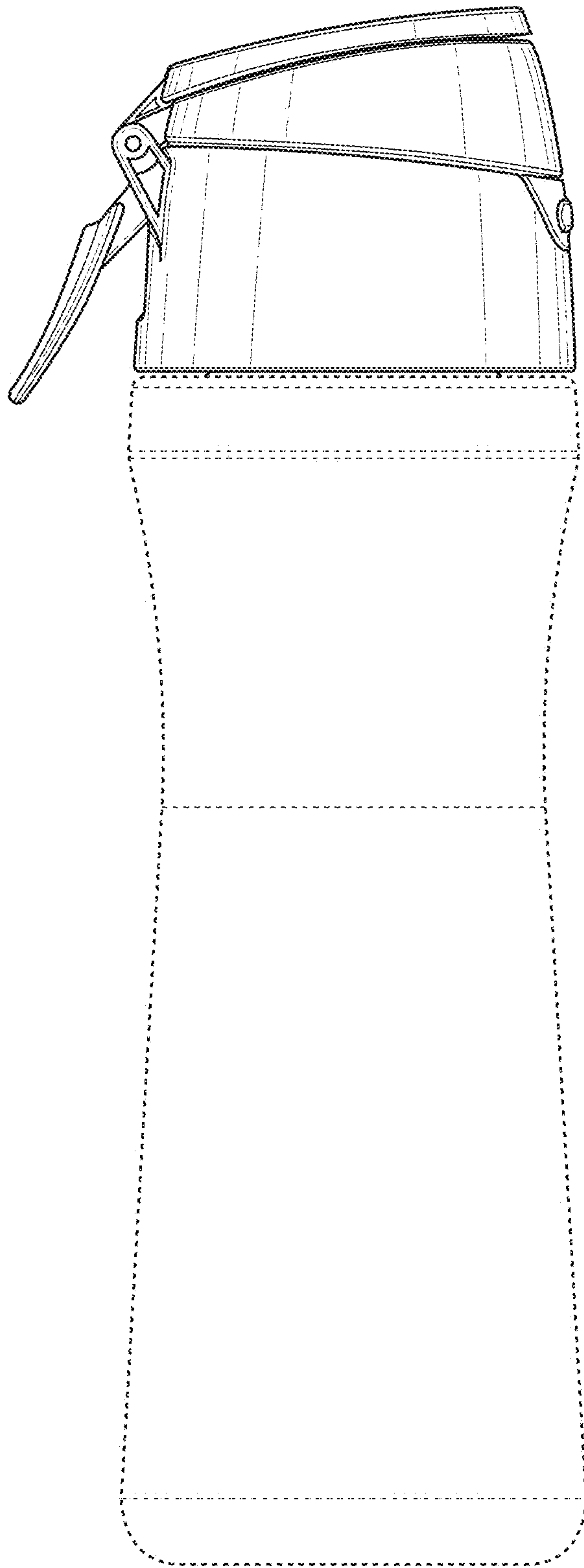


FIG. 4

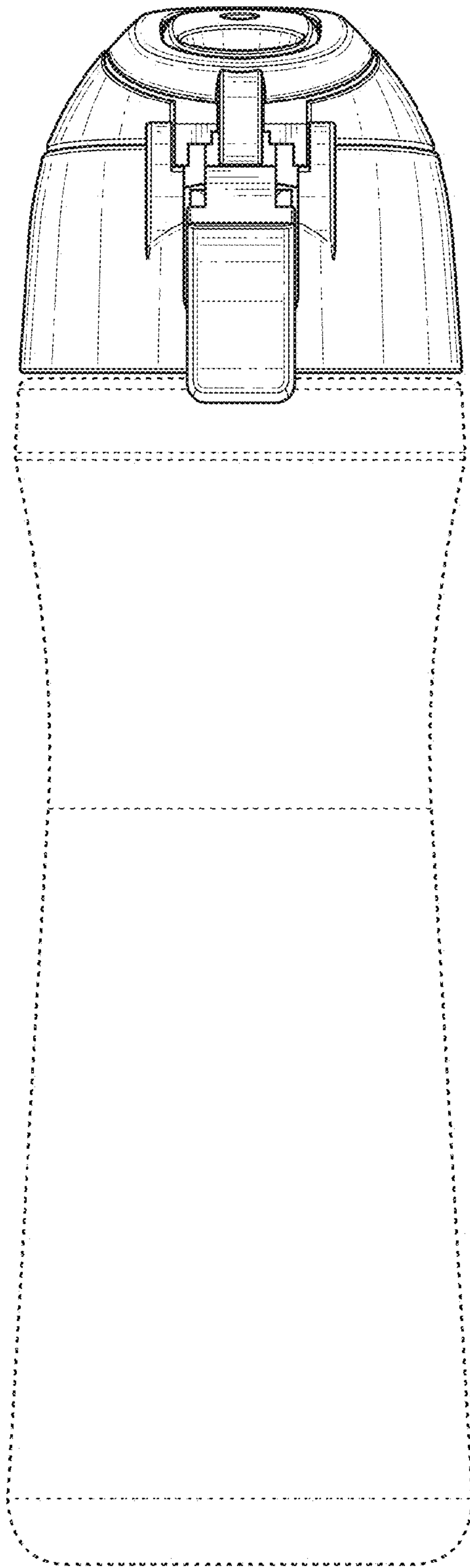


FIG. 5

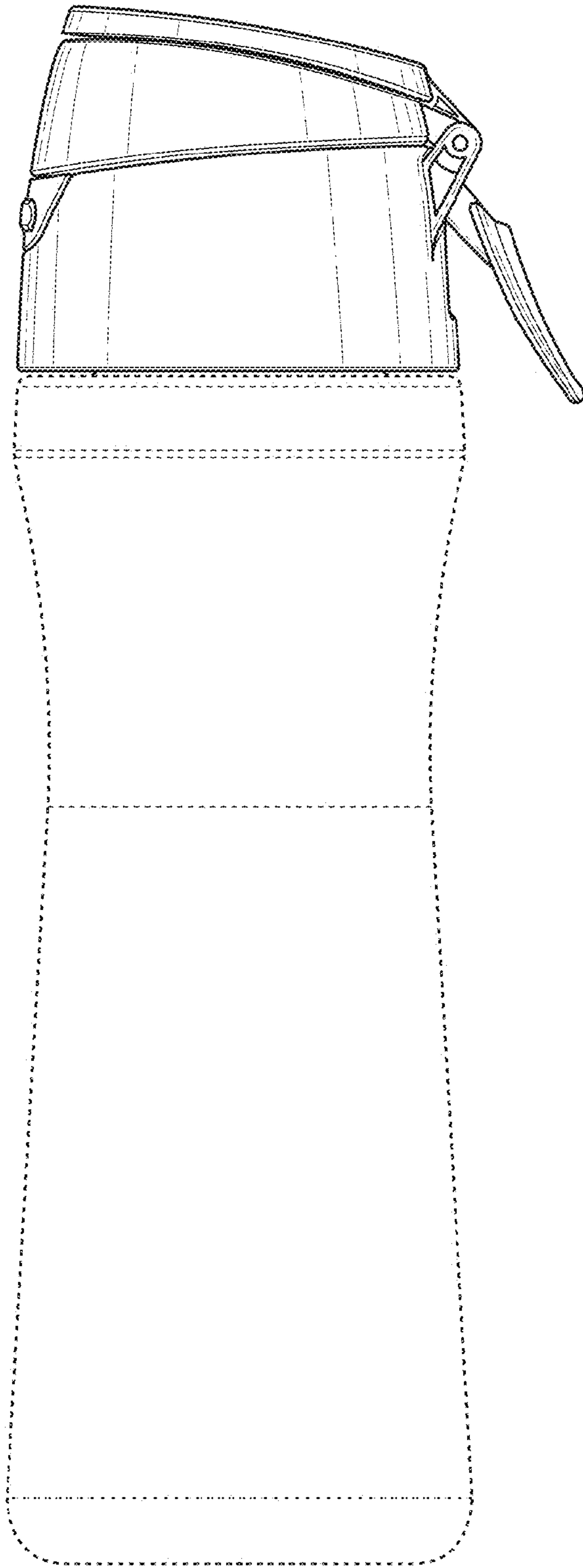


FIG. 6

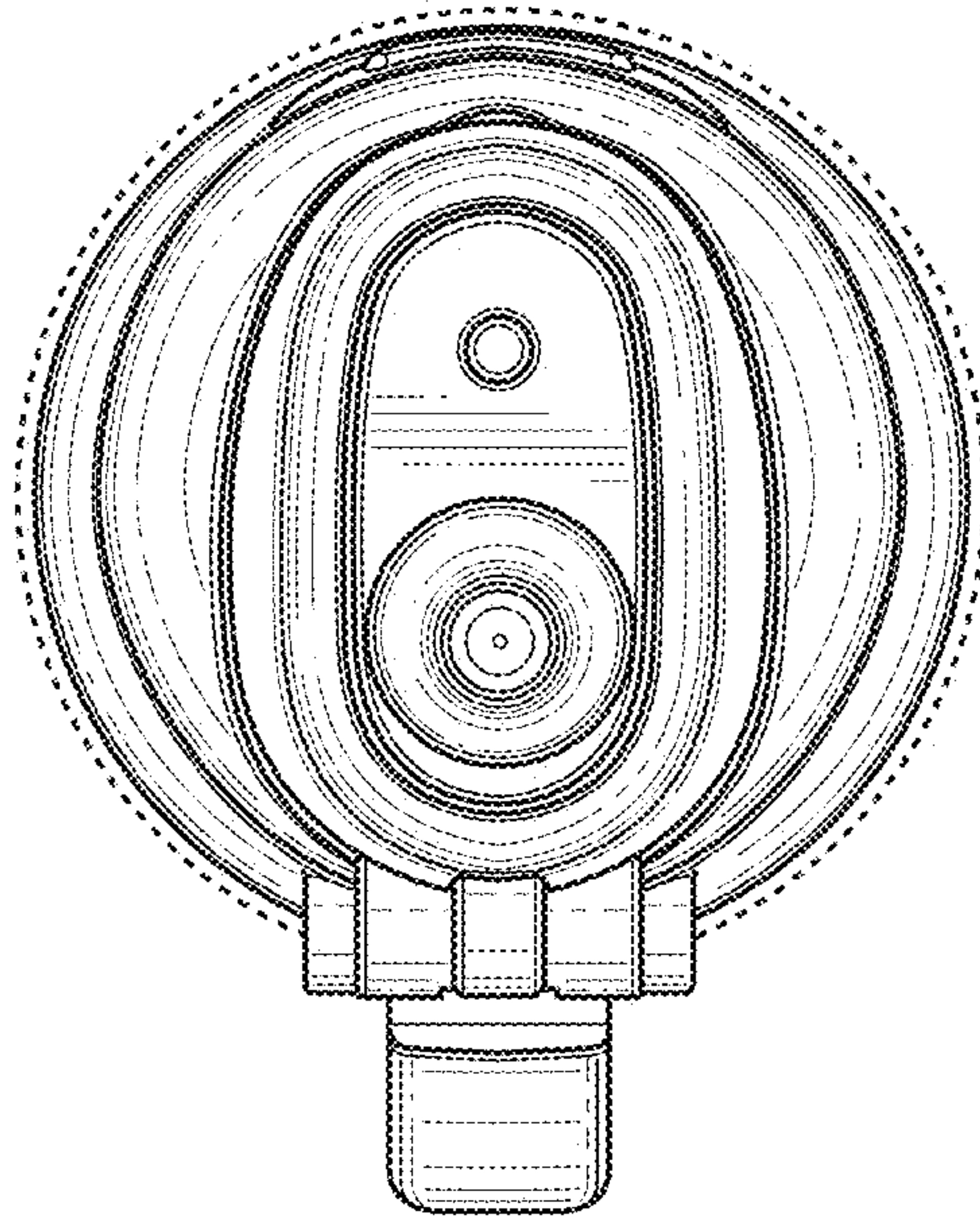


FIG. 7

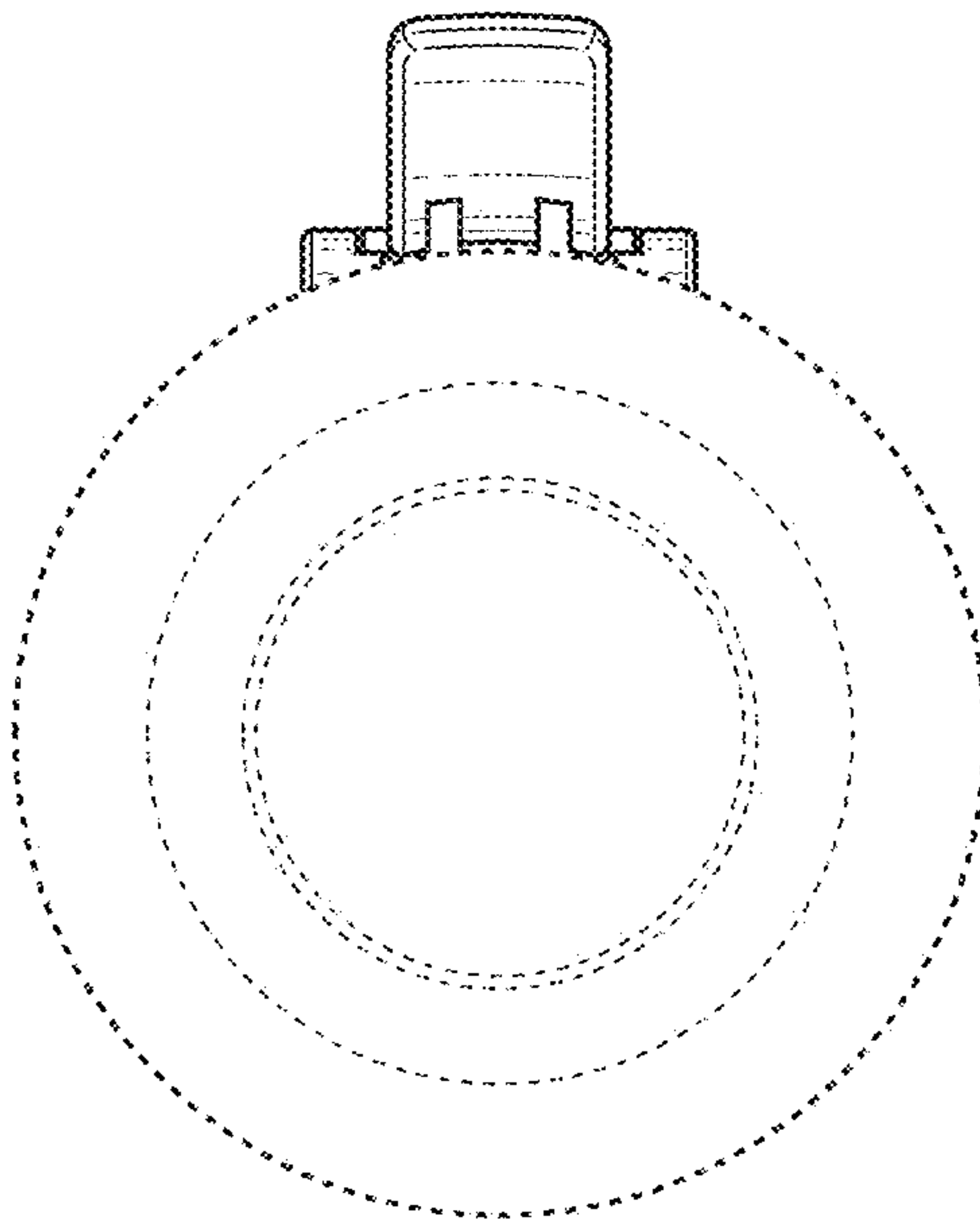


FIG. 8