



US00D747916S

(12) **United States Design Patent**
Wong

(10) **Patent No.:** **US D747,916 S**
(45) **Date of Patent:** **** Jan. 26, 2016**

(54) **FOOD SLICER**

(71) Applicant: **Yan Kwong Wong**, Kowloon Hong Kong (HK)

(72) Inventor: **Yan Kwong Wong**, Kowloon Hong Kong (HK)

(**) Term: **14 Years**

(21) Appl. No.: **29/492,680**

(22) Filed: **Jun. 2, 2014**

(51) **LOC (10) Cl.** **31-00**

(52) **U.S. Cl.**
USPC **D7/381**

(58) **Field of Classification Search**

USPC D7/376–386, 412
CPC A21C 15/04; A23N 5/03; A23N 7/026;
A47J 17/16; B26D 1/14; B26D 1/143; B26D
1/15; B26D 1/153; B26D 1/157; B26D 1/18;
B26D 1/28; B26D 3/11; B26D 5/00; B26D
5/06; B26D 5/08; B26D 5/10; B26D 5/12;
B26D 5/22; B26D 5/26; B26D 5/38; B26D
5/42; B26D 7/00; B26D 7/01; B26D 7/08;
B26D 7/12; B26D 7/18; B26D 7/1818;
B26D 7/22; B26D 7/225; B26D 7/24; B26D
7/26; B26D 7/2614; B26D 7/2621; B26D
7/2628; B26D 7/2635; B26D 7/30; B26D
7/32; B26D 7/325; B27G 13/00; B27G
13/005; B27G 13/10

See application file for complete search history.

(56) **References Cited**

U.S. PATENT DOCUMENTS

2,851,074	A *	9/1958	Talge	B26D 1/143 83/421
2,926,711	A *	3/1960	Blumkin	B26D 1/143 83/421
D254,590	S *	4/1980	Doyel	83/733
4,350,088	A *	9/1982	Rubio, Jr.	A23N 5/03 99/538
D275,441	S *	9/1984	Becker	D7/381
4,708,056	A *	11/1987	Dinanath	A23N 5/03 426/482
5,557,998	A *	9/1996	Schwartz	A21C 15/04 269/13
5,690,022	A *	11/1997	Chai	A47J 17/16 99/541
5,950,528	A *	9/1999	Wang	A23N 7/026 99/542
D414,983	S *	10/1999	Wong	D7/381
6,053,098	A *	4/2000	Yamamoto	B26D 3/11 83/425.1
7,077,058	B2 *	7/2006	Muro	A47J 17/16 99/541

* cited by examiner

Primary Examiner — Ricky Pham

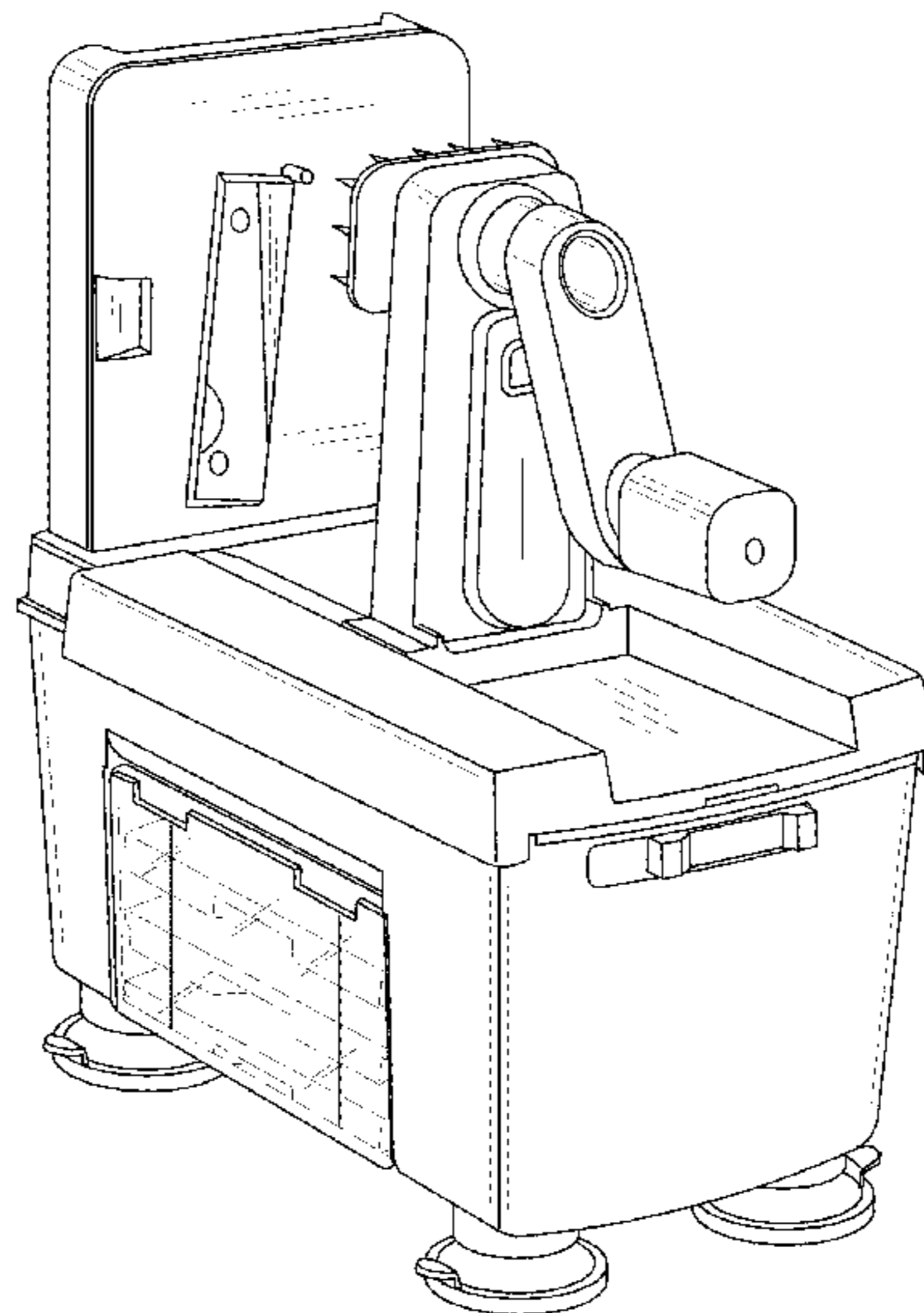
(57) **CLAIM**

The ornamental design for a food slicer, as shown and described.

DESCRIPTION

FIG. 1 is a front perspective view of a food slicer showing my new design;
FIG. 2 is a rear perspective view of the food slicer;
FIG. 3 is a front view of the food slicer;
FIG. 4 is a rear view of the food slicer;
FIG. 5 is a right side view of the food slicer;
FIG. 6 is a left side view of the food slicer;
FIG. 7 is a top of the food slicer; and,
FIG. 8 is a bottom view of the food slicer.

1 Claim, 8 Drawing Sheets



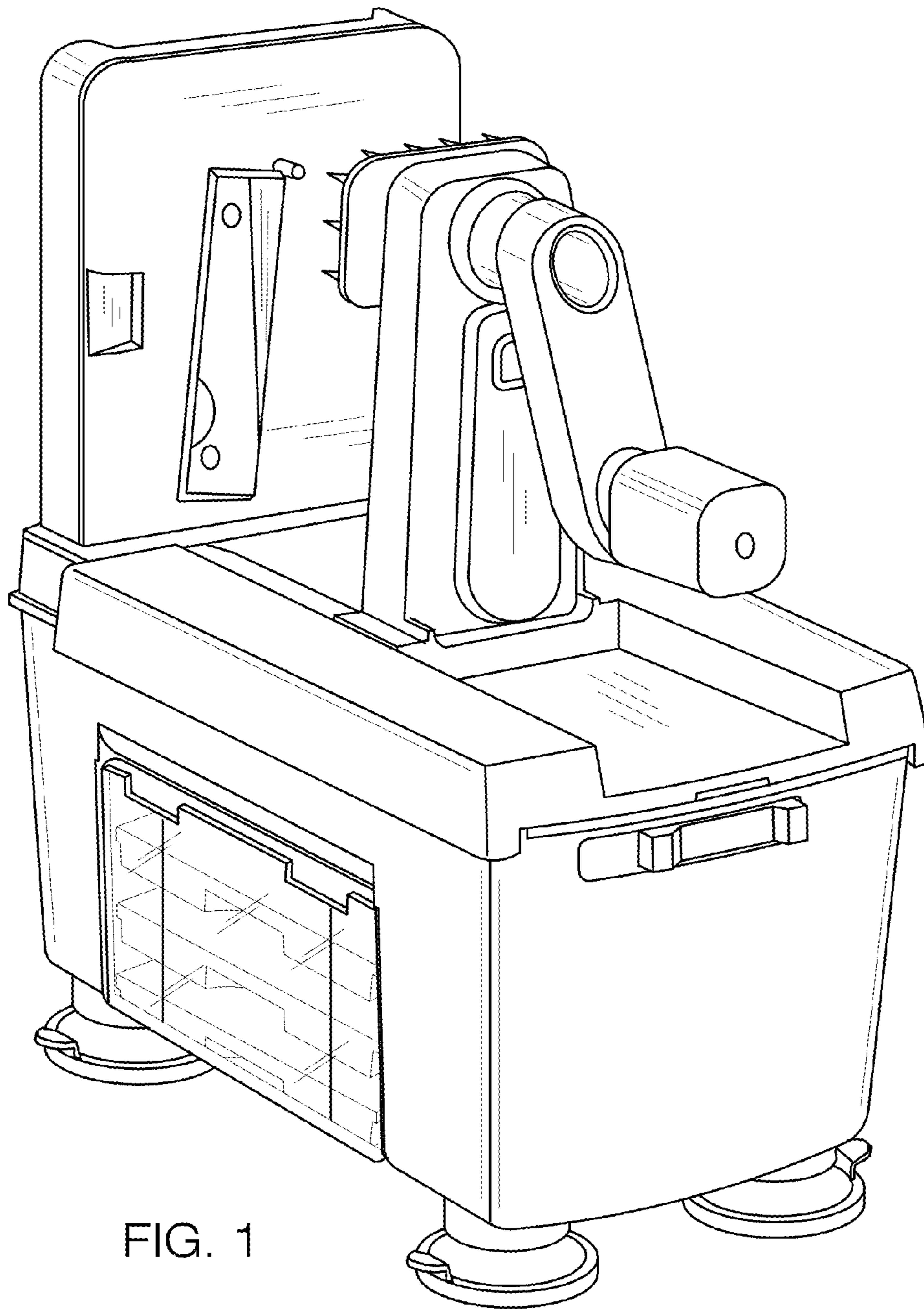


FIG. 1

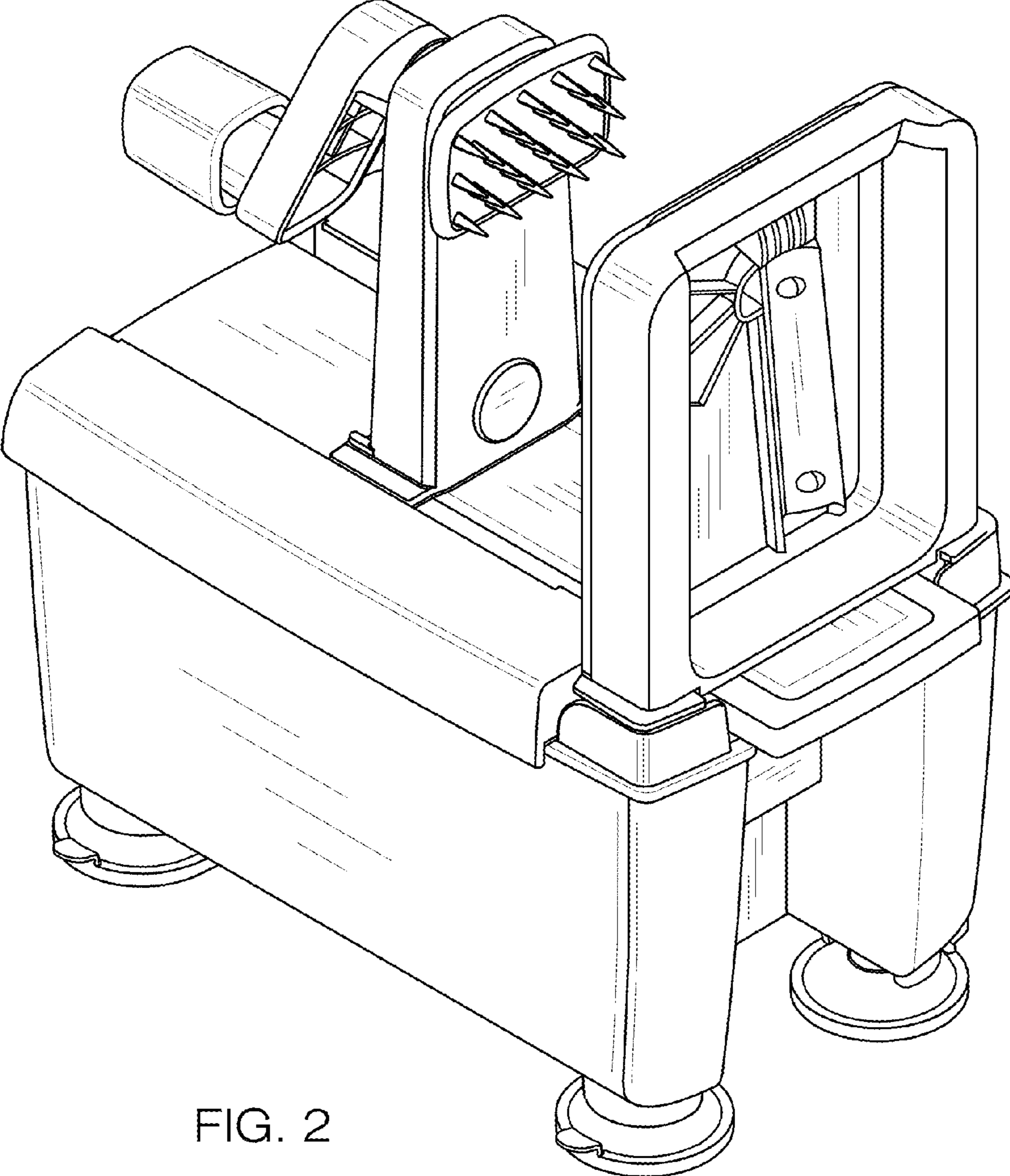


FIG. 2

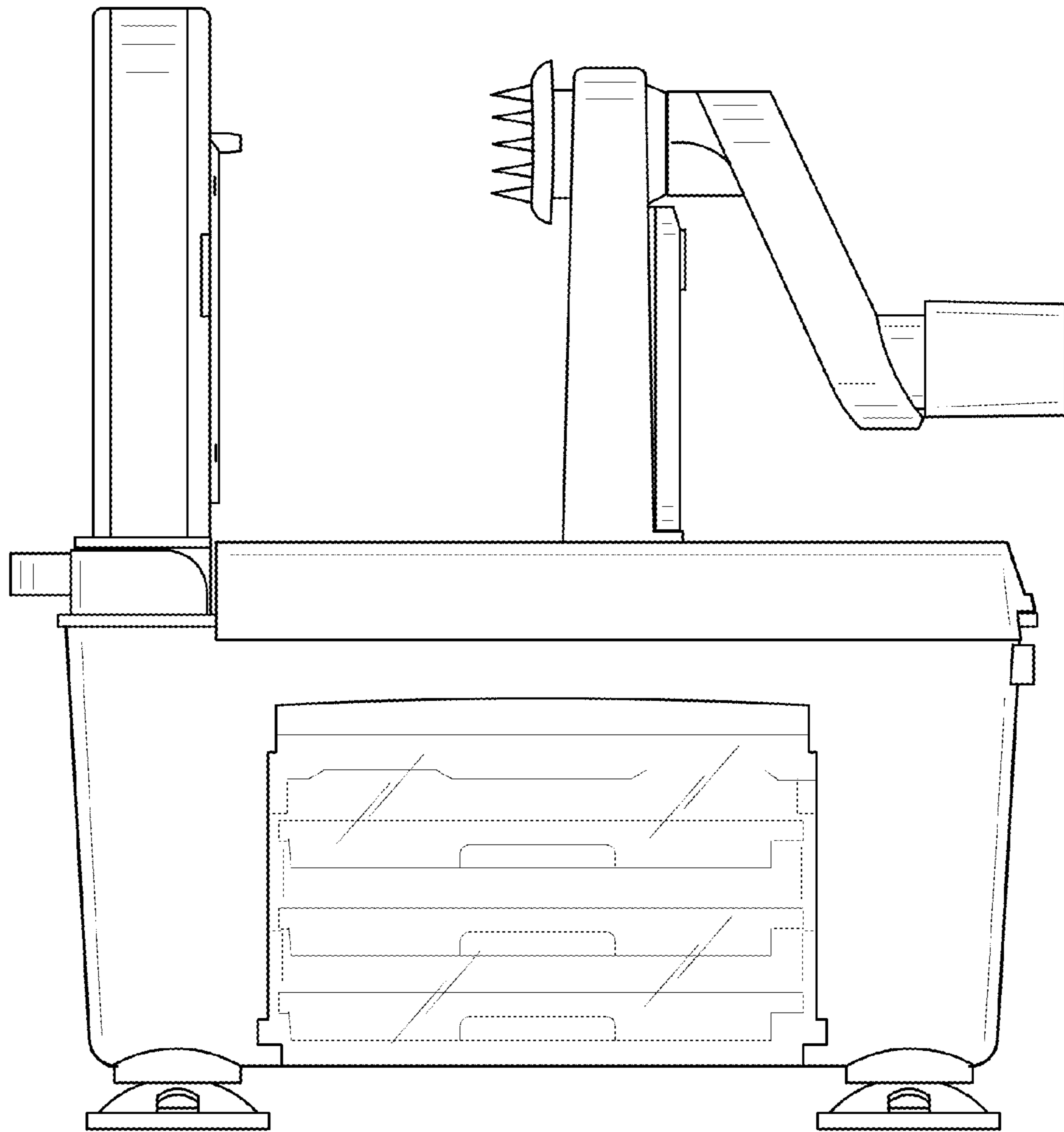


FIG. 3

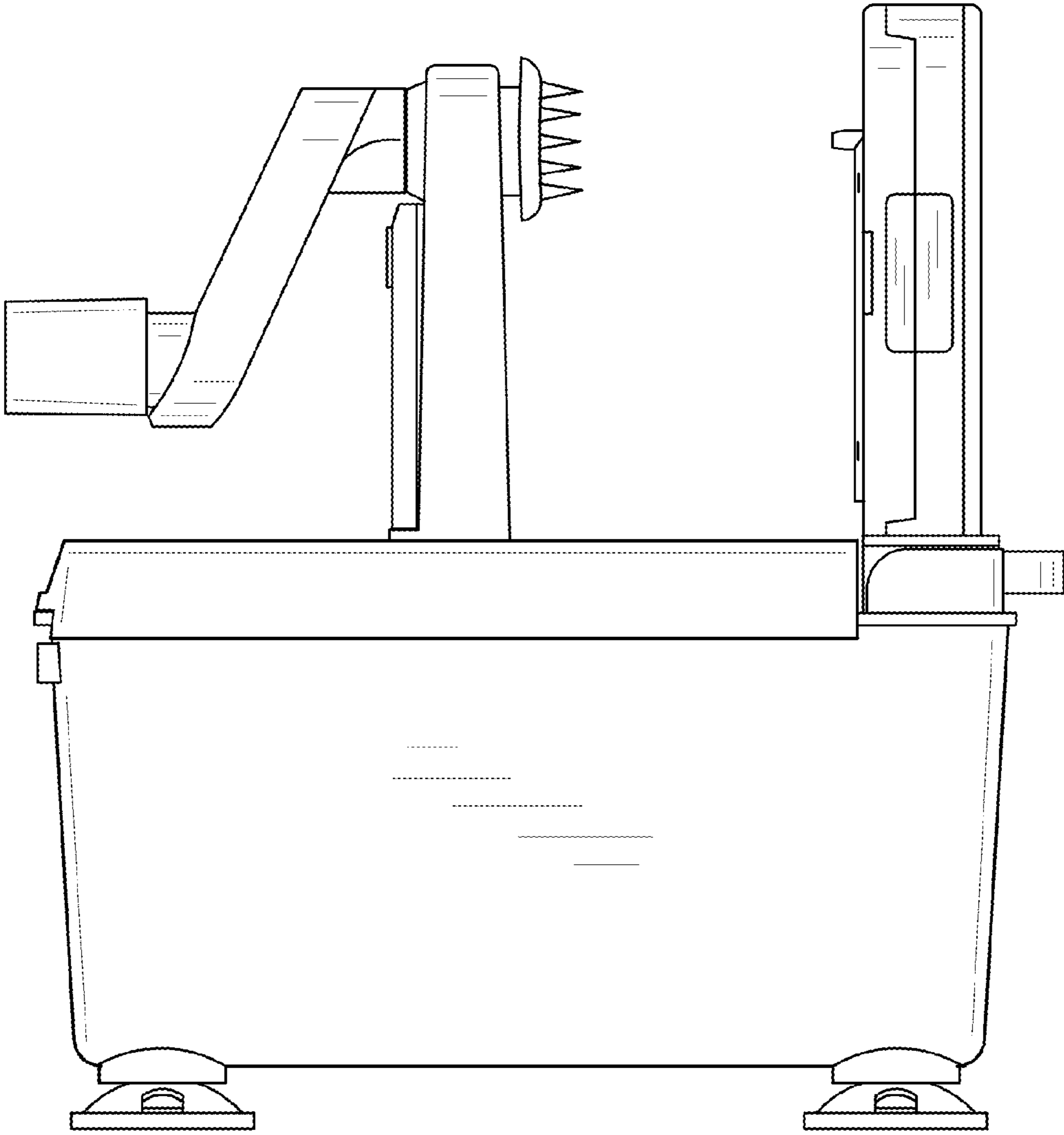


FIG. 4

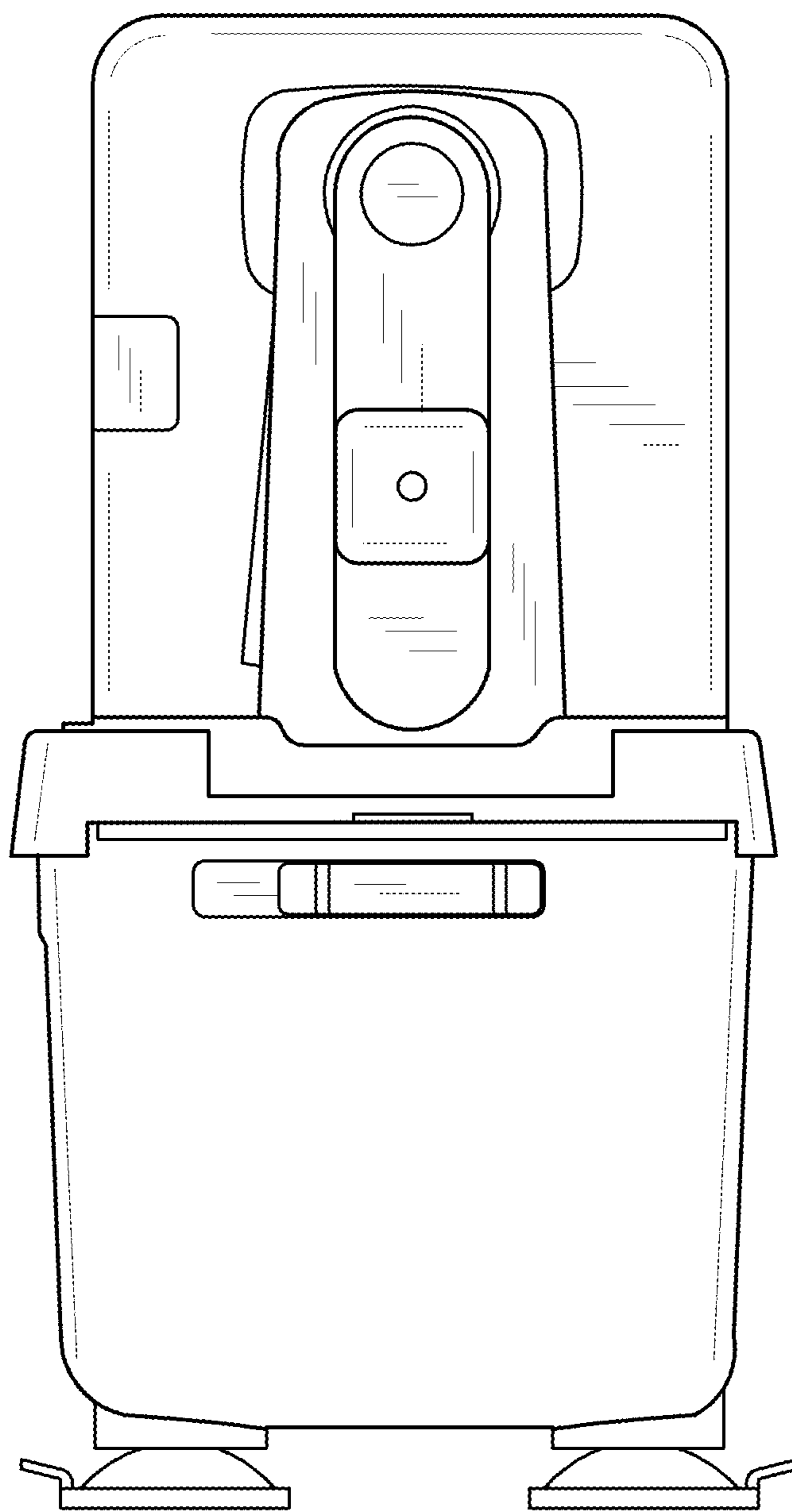


FIG. 5

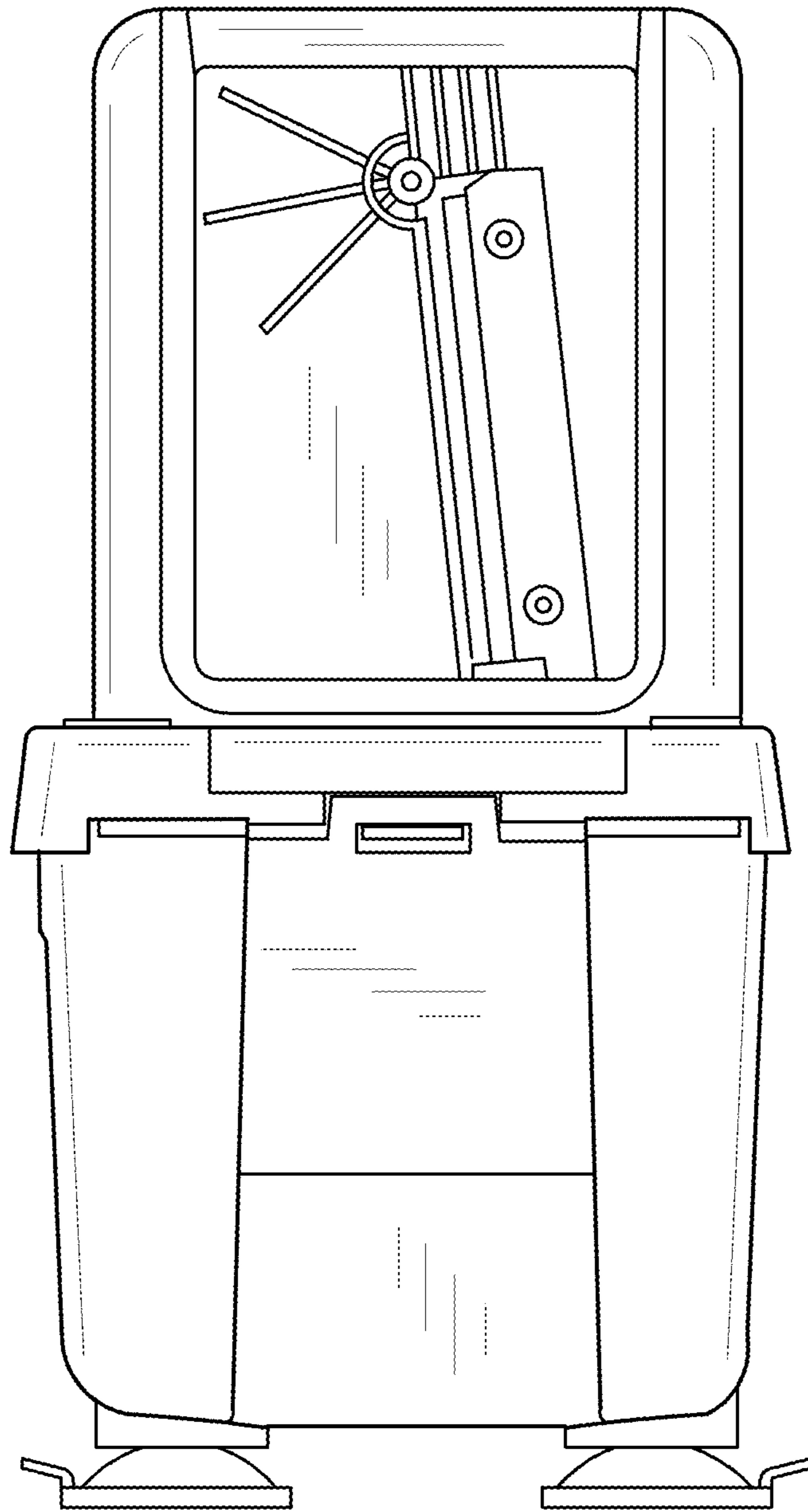


FIG. 6

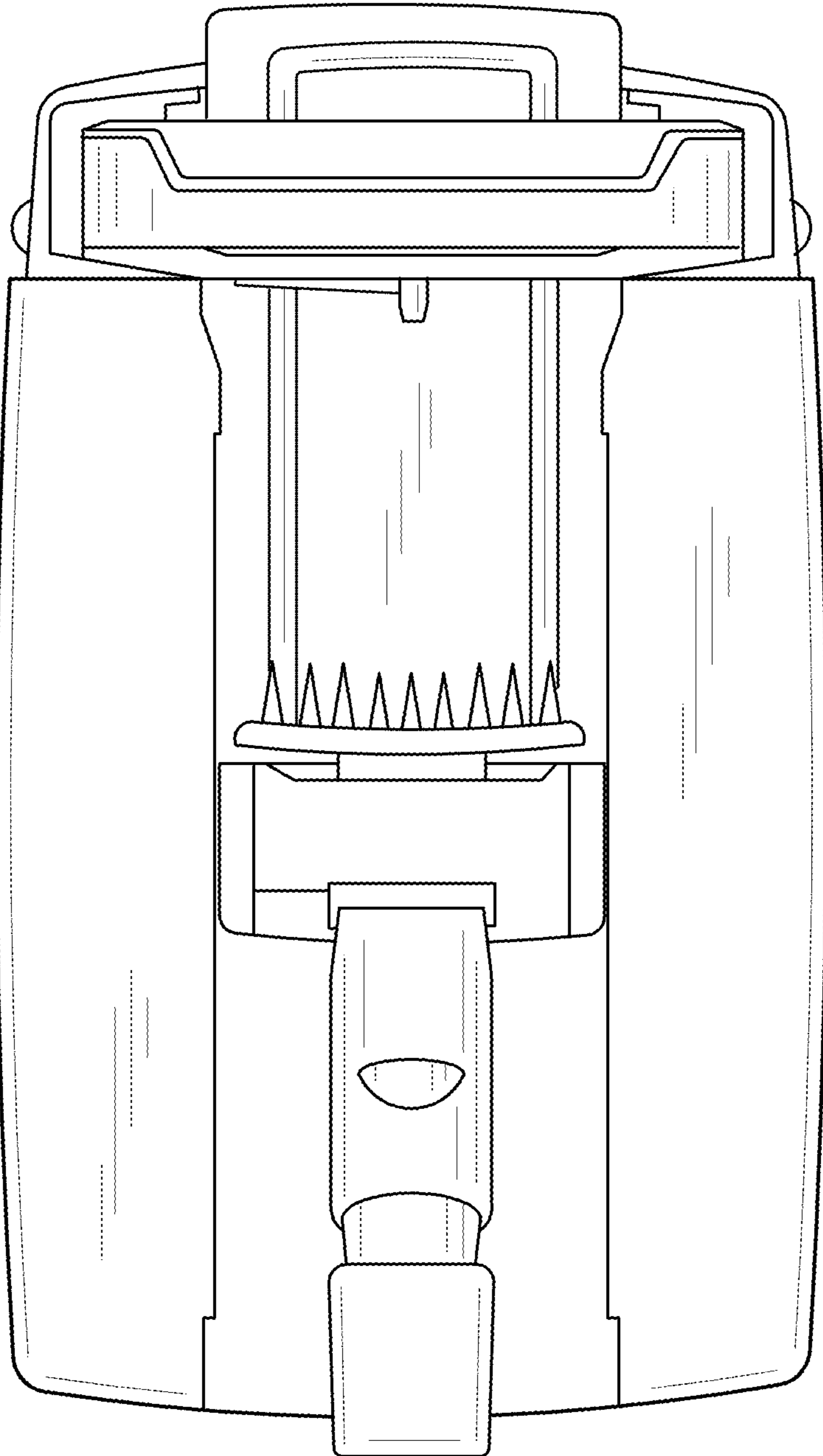


FIG. 7

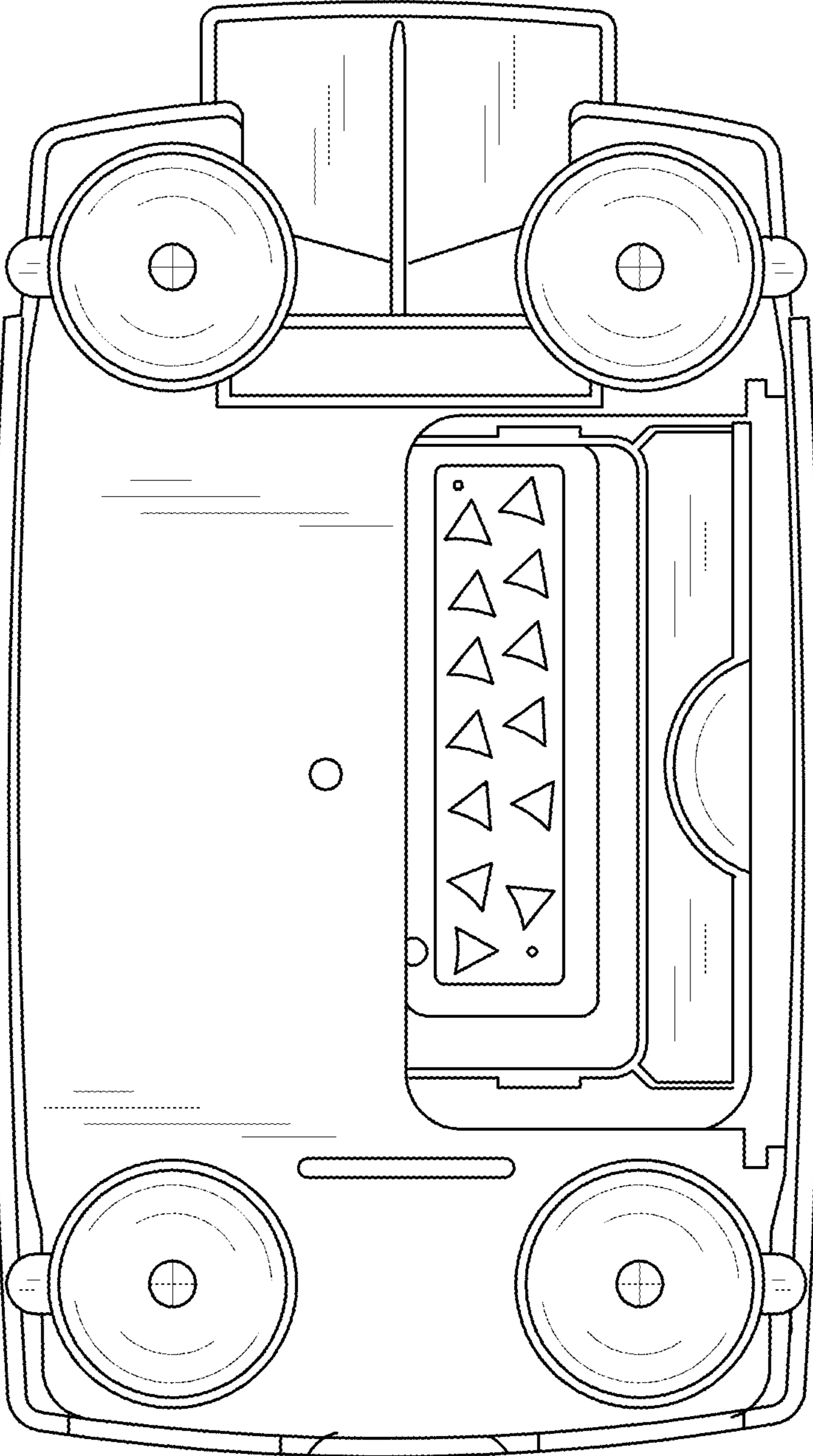


FIG. 8