



US00D747915S

(12) **United States Design Patent**  
**Kim et al.**

(10) **Patent No.:** **US D747,915 S**  
(45) **Date of Patent:** **\*\* Jan. 26, 2016**

(54) **MIXER**

(56) **References Cited**

(71) Applicant: **NUC Electronics Co., Ltd.**, Daegu (KR)

U.S. PATENT DOCUMENTS

(72) Inventors: **Jong Boo Kim**, Daegu (KR); **Gun Uk Jo**, Daegu (KR)

D204,924 S *	5/1966	Di Sesa .....	D7/378
D372,835 S *	8/1996	Leverrier .....	D7/372
D466,362 S *	12/2002	Moore .....	D7/378
D487,668 S *	3/2004	Sands .....	D7/378
D501,759 S *	2/2005	Sands .....	D7/378
D553,426 S *	10/2007	Lin .....	D7/378
D554,427 S *	11/2007	Sands .....	D7/378
D556,506 S *	12/2007	Spagnolo .....	D7/378
D629,643 S *	12/2010	Bower .....	D7/376
D673,425 S *	1/2013	Brinckerhoff .....	D7/376
D712,196 S *	9/2014	Ho .....	D7/378
D728,302 S *	5/2015	Vu .....	D7/376
D731,235 S *	6/2015	Bradley .....	D7/376

(73) Assignee: **NUC Electronics Co., Ltd.**, Daegu (KR)

(\*\*) Term: **14 Years**

(21) Appl. No.: **29/506,113**

(22) Filed: **Oct. 13, 2014**

(30) **Foreign Application Priority Data**

Jun. 2, 2014 (KR) ..... 30-2014-0027168

(51) **LOC (10) Cl.** ..... **31-00**

(52) **U.S. Cl.**  
USPC ..... **D7/378**; D7/372; D7/376

(58) **Field of Classification Search**  
USPC ..... D7/372, 376–386, 412–413, 536, 602,  
D7/629, 665–666, 669, 679, 693–694  
CPC ..... A21C 1/02; A21C 1/04; A23N 1/00;  
A23N 1/02; A47J 43/04; A47J 43/25; A47J  
43/27; A47J 43/042; A47J 43/044; A47J  
43/046; A47J 43/075; A47J 43/0722; A47J  
43/0727; B01F 3/00; B01F 3/0807; B01F  
3/0853; B01F 13/0059; B01F 13/0064;  
B02C 1/08; B02C 2/04; B02C 4/42; B02C  
4/142; B02C 4/143; B02C 4/423; B02C  
13/1835; B28C 5/10; B28C 5/12; B28C 5/14;  
B28C 5/16

See application file for complete search history.

\* cited by examiner

*Primary Examiner* — Ricky Pham

(74) *Attorney, Agent, or Firm* — SeedIP Law Group PLLC

(57) **CLAIM**

The ornamental design for a mixer, as shown and described.

**DESCRIPTION**

FIG. 1 is a perspective view of a mixer showing our new design;

FIG. 2 is a front view thereof;

FIG. 3 is a rear view thereof;

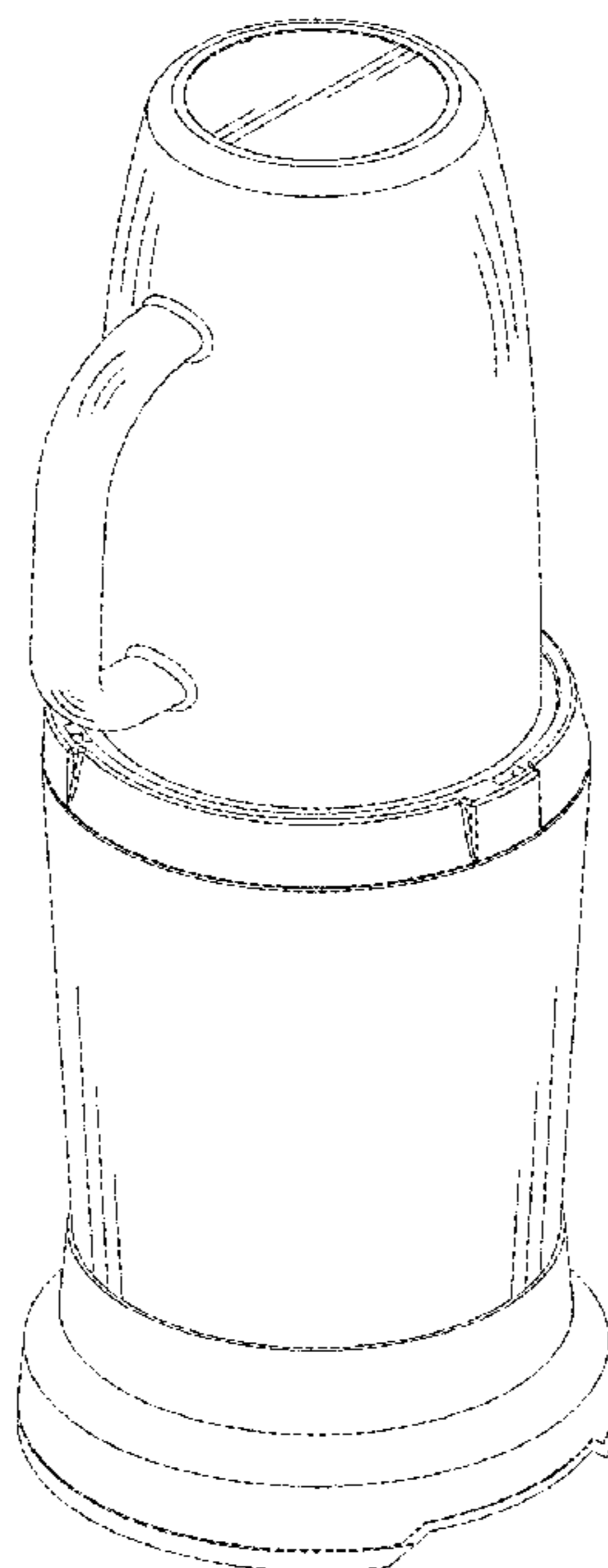
FIG. 4 is a left side view thereof;

FIG. 5 is a right side view thereof;

FIG. 6 is a top plan view thereof; and,

FIG. 7 is a bottom plan view thereof.

**1 Claim, 7 Drawing Sheets**



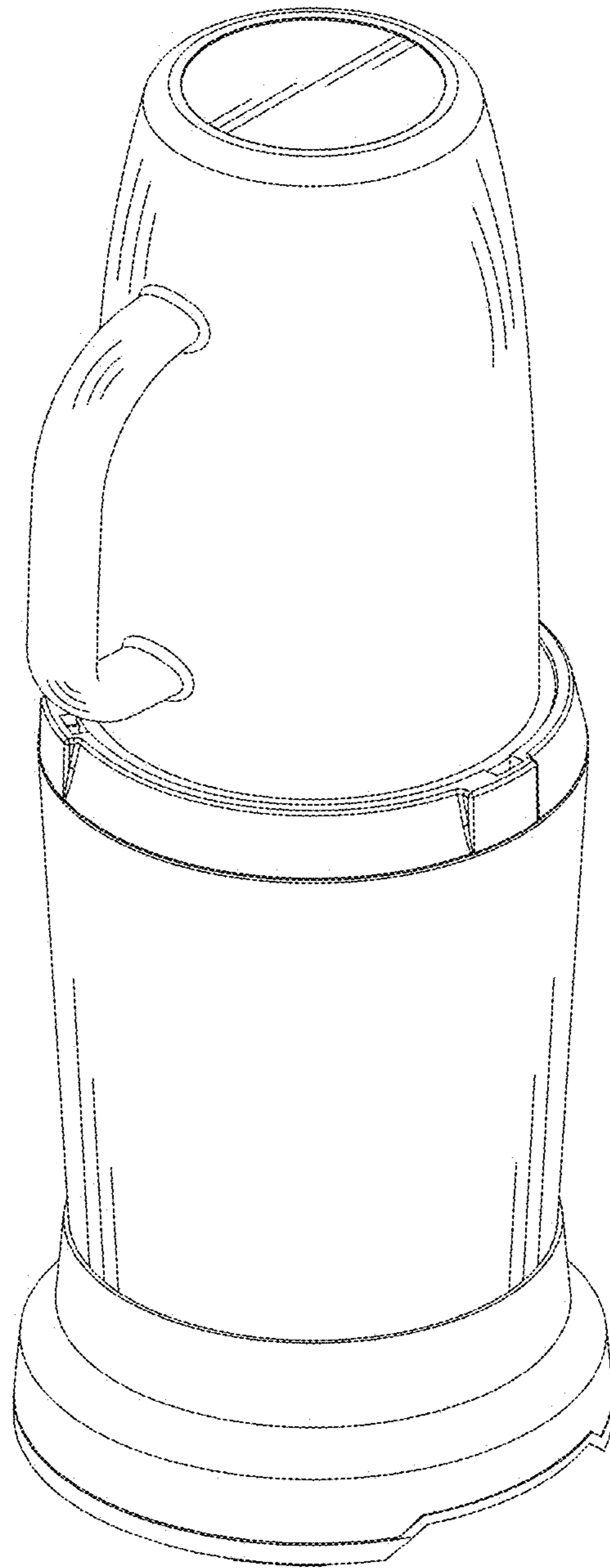


FIG. 1

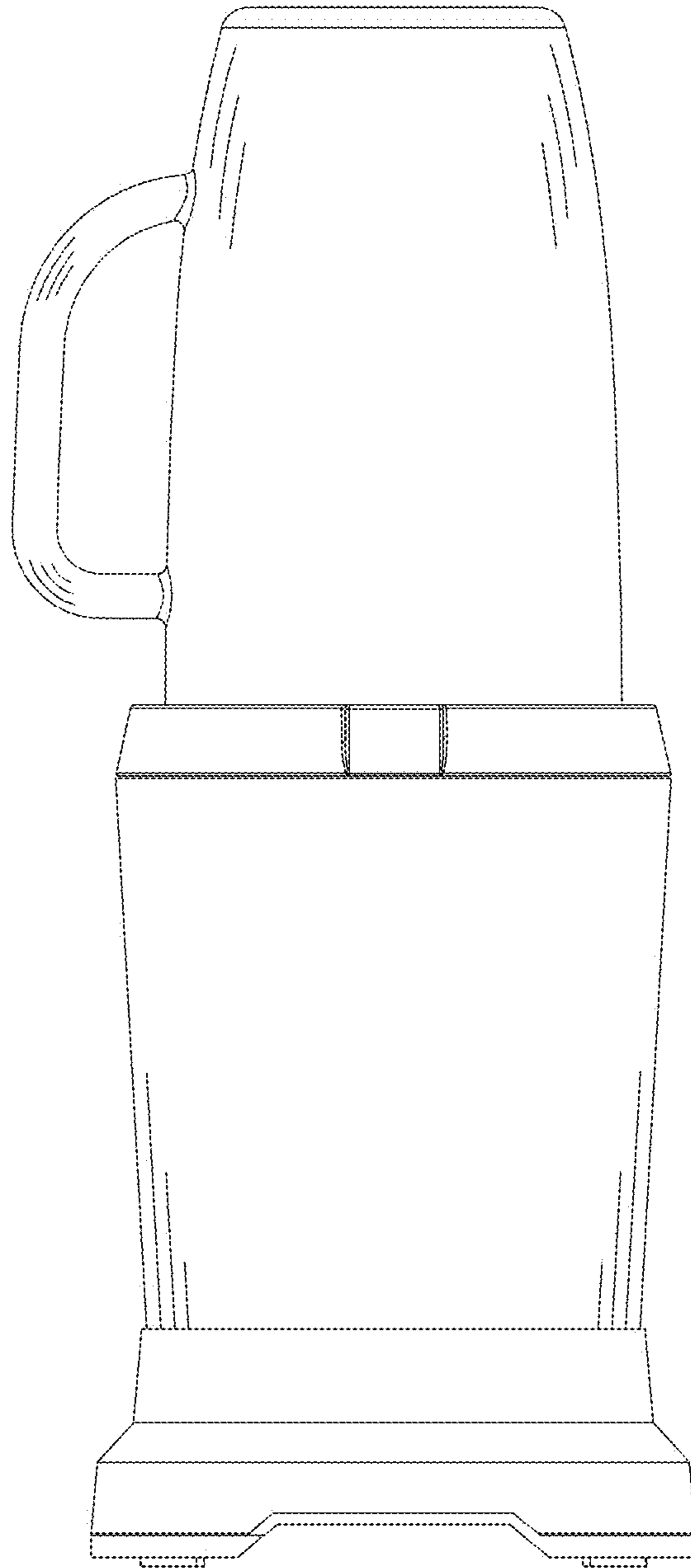


FIG. 2

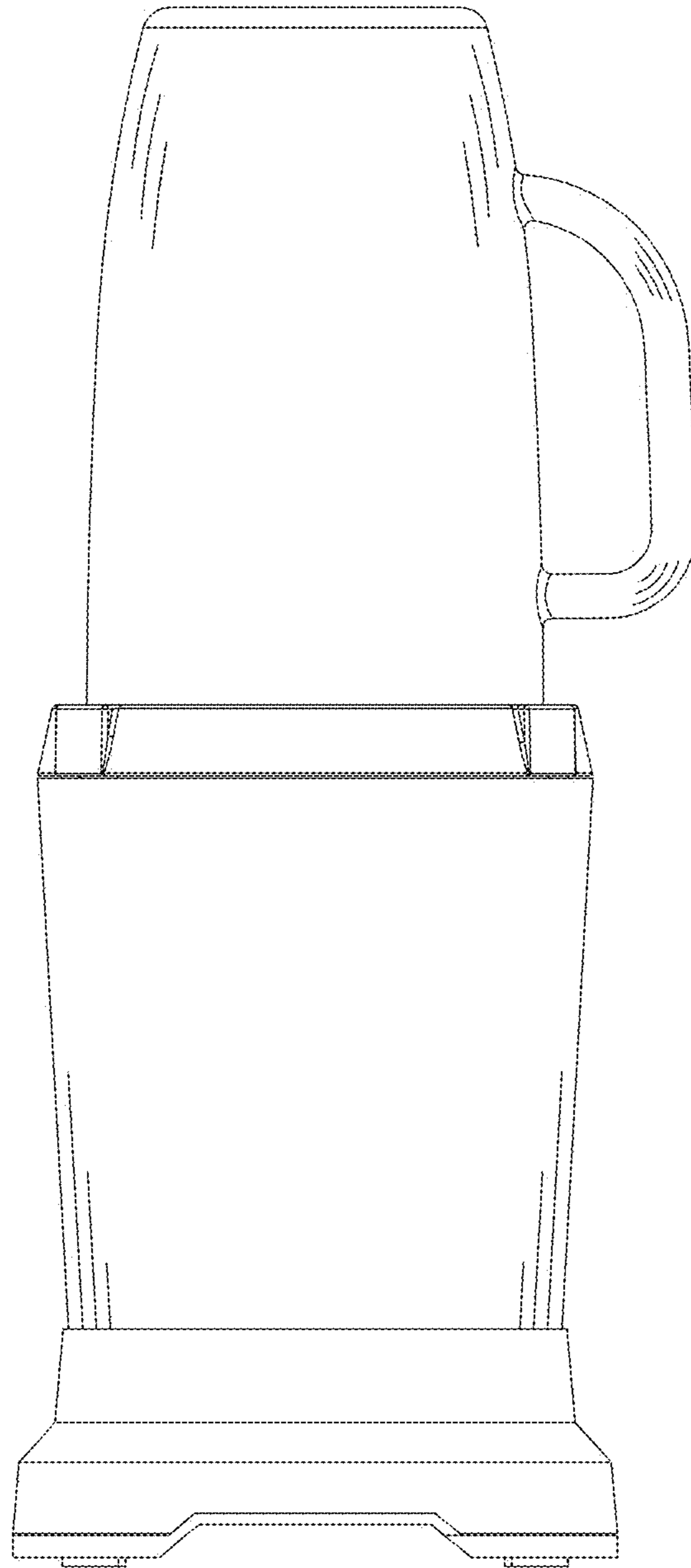


FIG. 3

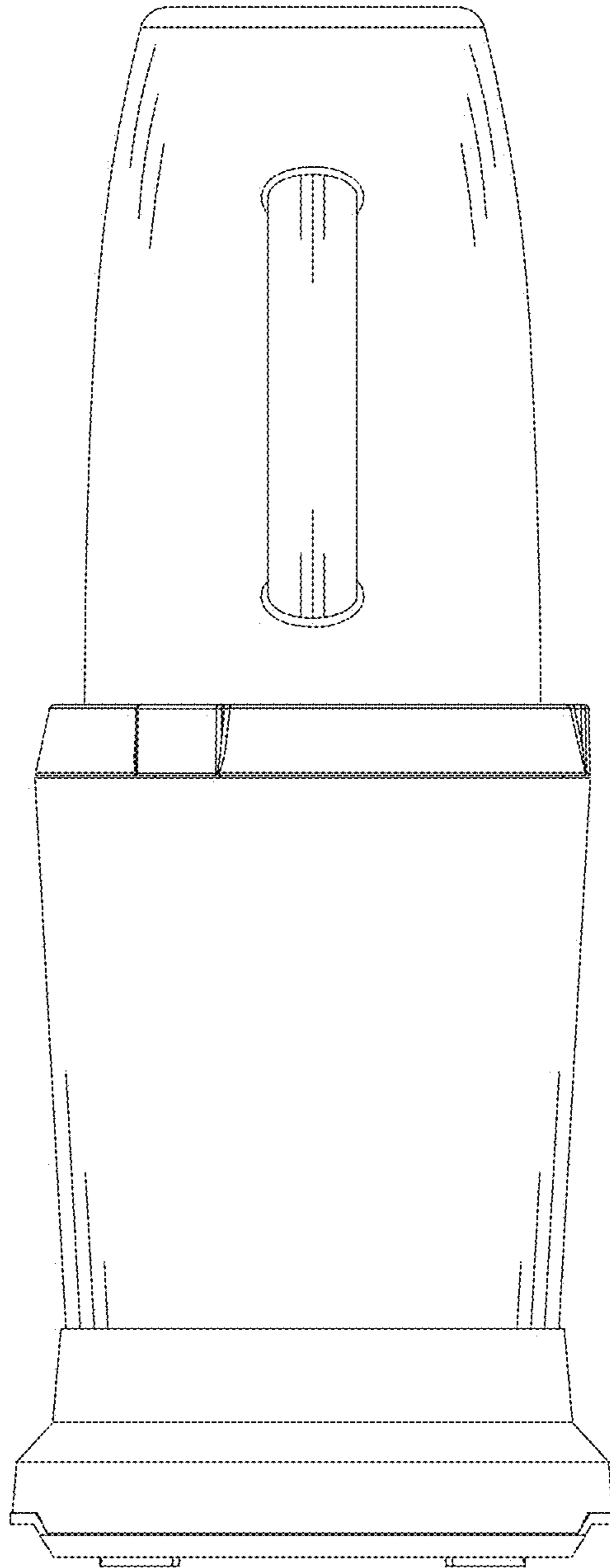


FIG. 4

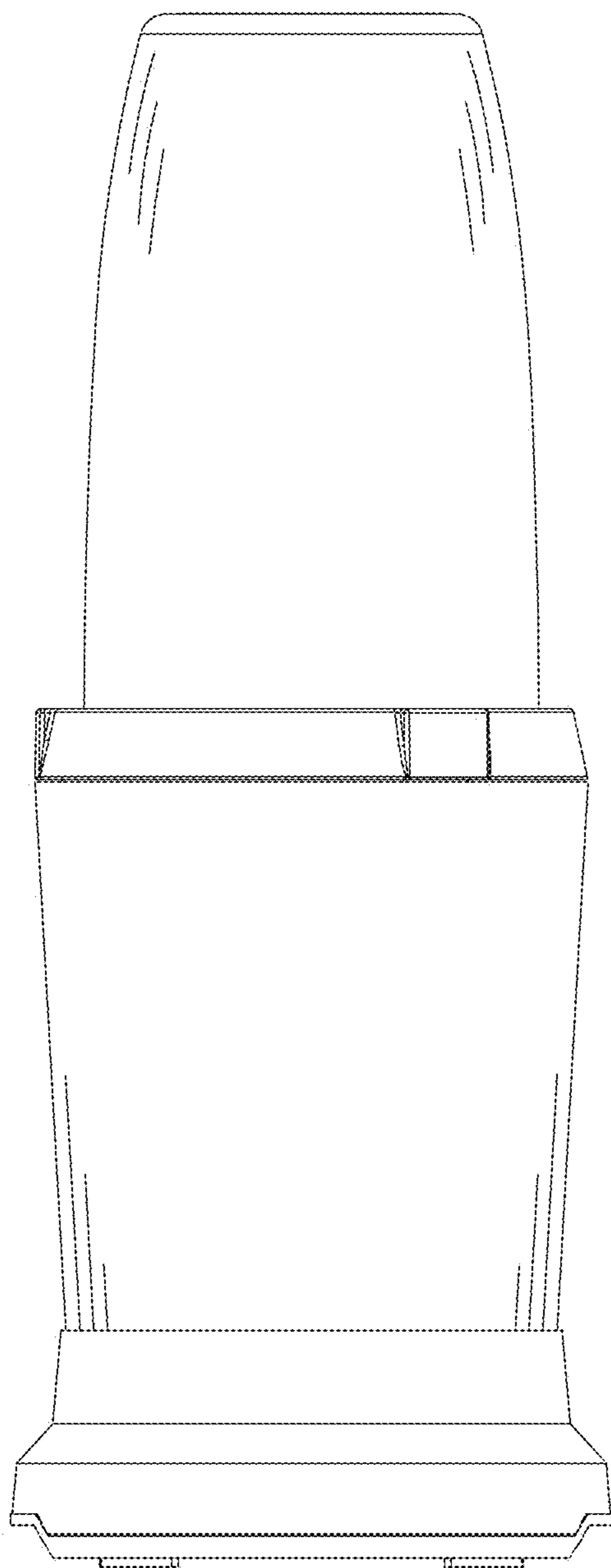


FIG. 5

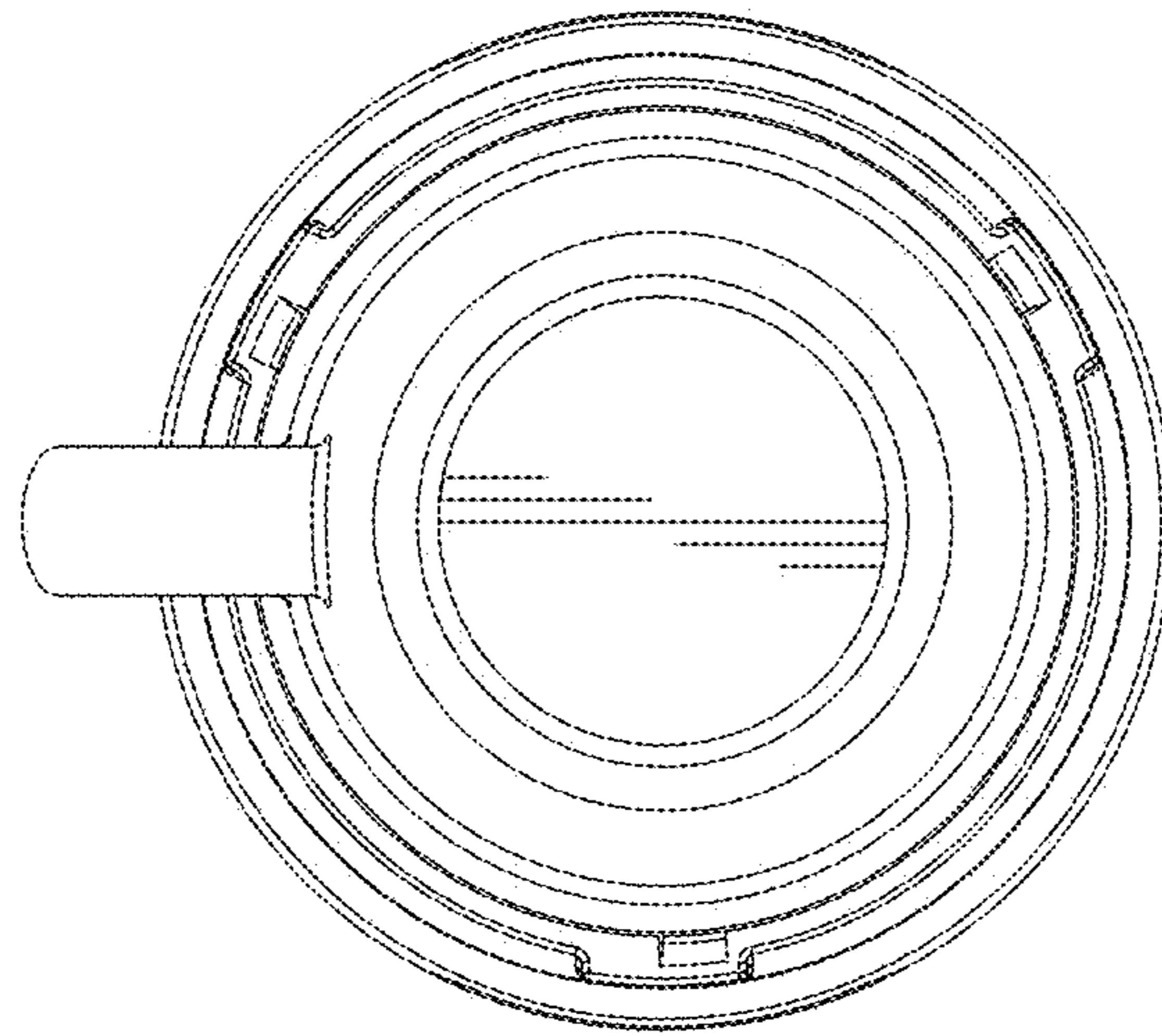


FIG. 6

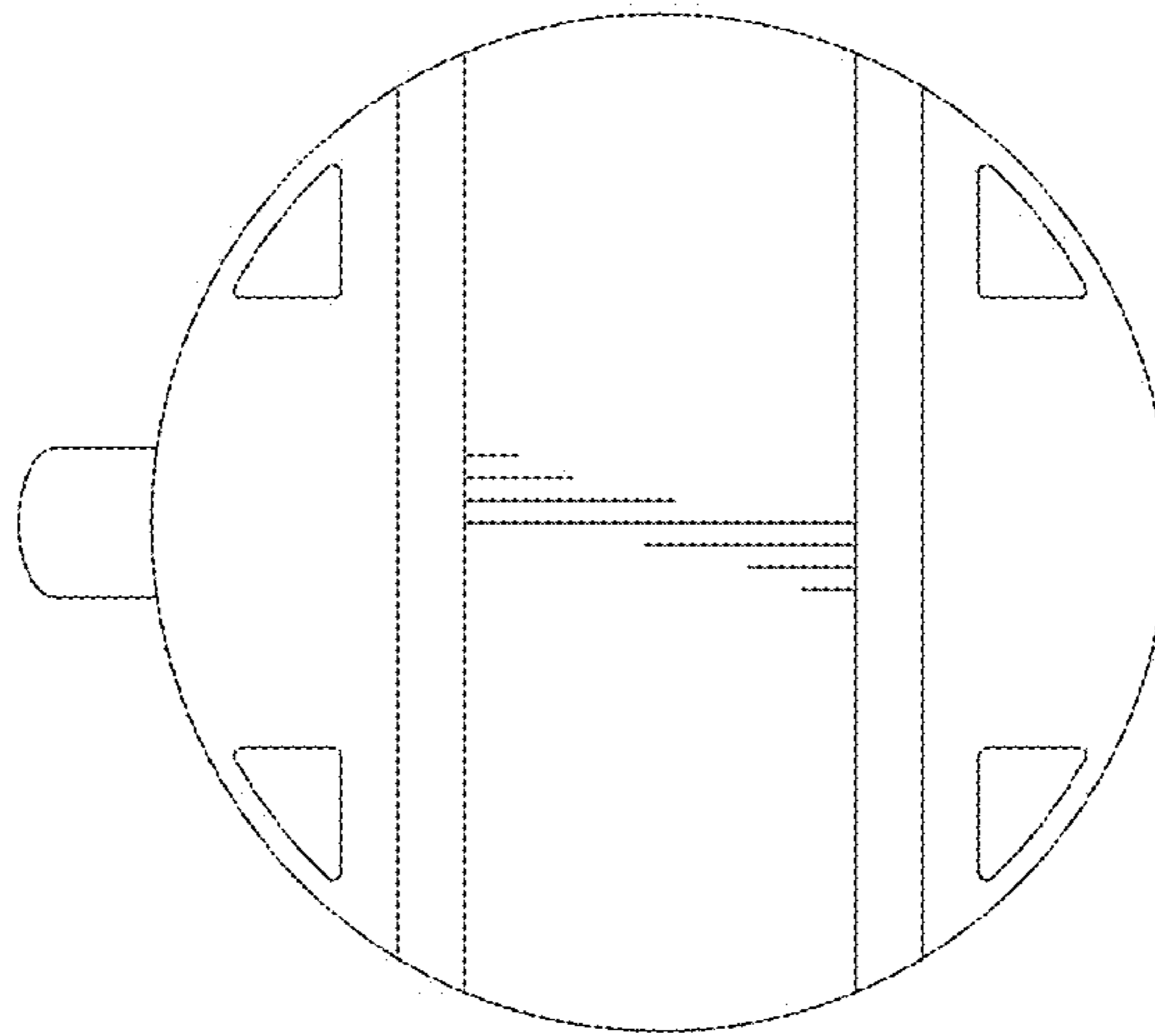


FIG. 7