



US00D747913S

(12) **United States Design Patent**
Lee

(10) **Patent No.:** **US D747,913 S**
(45) **Date of Patent:** **** Jan. 26, 2016**

- (54) **FOOD STEAMER FOR OVEN**
- (71) Applicant: **Samsung Electronics Co., Ltd.**,
Suwon-si (KR)
- (72) Inventor: **Soo-Jung Lee**, Kimpo-Si (KR)
- (73) Assignee: **Samsung Electronics Co., Ltd.**,
Suwon-si (KR)

- (**) Term: **14 Years**
- (21) Appl. No.: **29/496,069**
- (22) Filed: **Jul. 9, 2014**

- (30) **Foreign Application Priority Data**
Jan. 15, 2014 (KR) 30-2014-0002410
- (51) **LOC (10) Cl.** **07-02**
- (52) **U.S. Cl.**
USPC **D7/354**
- (58) **Field of Classification Search**
USPC D6/518; D7/323, 354–363, 391,
D7/393–396, 409, 502, 610, 629; D9/425
CPC A47G 19/12; A47J 27/00; A47J 27/002;
A47J 27/08; A47J 27/21; A47J 27/58; A47J
36/025; A47J 36/06; A47J 36/12; A47J 37/00;
A47J 37/10; A47J 37/101; A47J 37/103;
A47J 37/12; A47J 37/1204; A47J 45/061;
A47J 45/071; A47J 45/08; H05B 6/12
See application file for complete search history.

- (56) **References Cited**
U.S. PATENT DOCUMENTS
D208,063 S * 7/1967 Swett D7/610
D250,448 S * 12/1978 Boldt D7/360

- D261,594 S * 11/1981 Boldt D7/360
- D339,713 S * 9/1993 Gueringer D7/354
- D346,305 S * 4/1994 Breeka D7/323
- D389,379 S * 1/1998 Samuels D7/610
- D423,864 S * 5/2000 Chang D7/323
- D469,288 S * 1/2003 Wray D6/518
- D529,345 S * 10/2006 Kim D7/610
- D592,049 S * 5/2009 Doliwa D7/629
- D619,426 S * 7/2010 Bodum D7/629
- D623,472 S * 9/2010 Bodum D7/502

* cited by examiner

Primary Examiner — Ricky Pham
(74) *Attorney, Agent, or Firm* — NSIP Law

(57) **CLAIM**
I claim the ornamental design for a food steamer for oven, as shown and described.

DESCRIPTION
FIG. 1 is a front perspective view of a food steamer for oven showing my new design;
FIG. 2 is a front view thereof;
FIG. 3 is a rear view thereof;
FIG. 4 is a left-side view thereof;
FIG. 5 is a right-side view thereof;
FIG. 6 is a top view thereof;
FIG. 7 is a bottom view thereof; and,
FIG. 8 is an exploded perspective view thereof.
The broken lines in the figures show portions of the food steamer for oven which form no part of the claimed design.

1 Claim, 8 Drawing Sheets

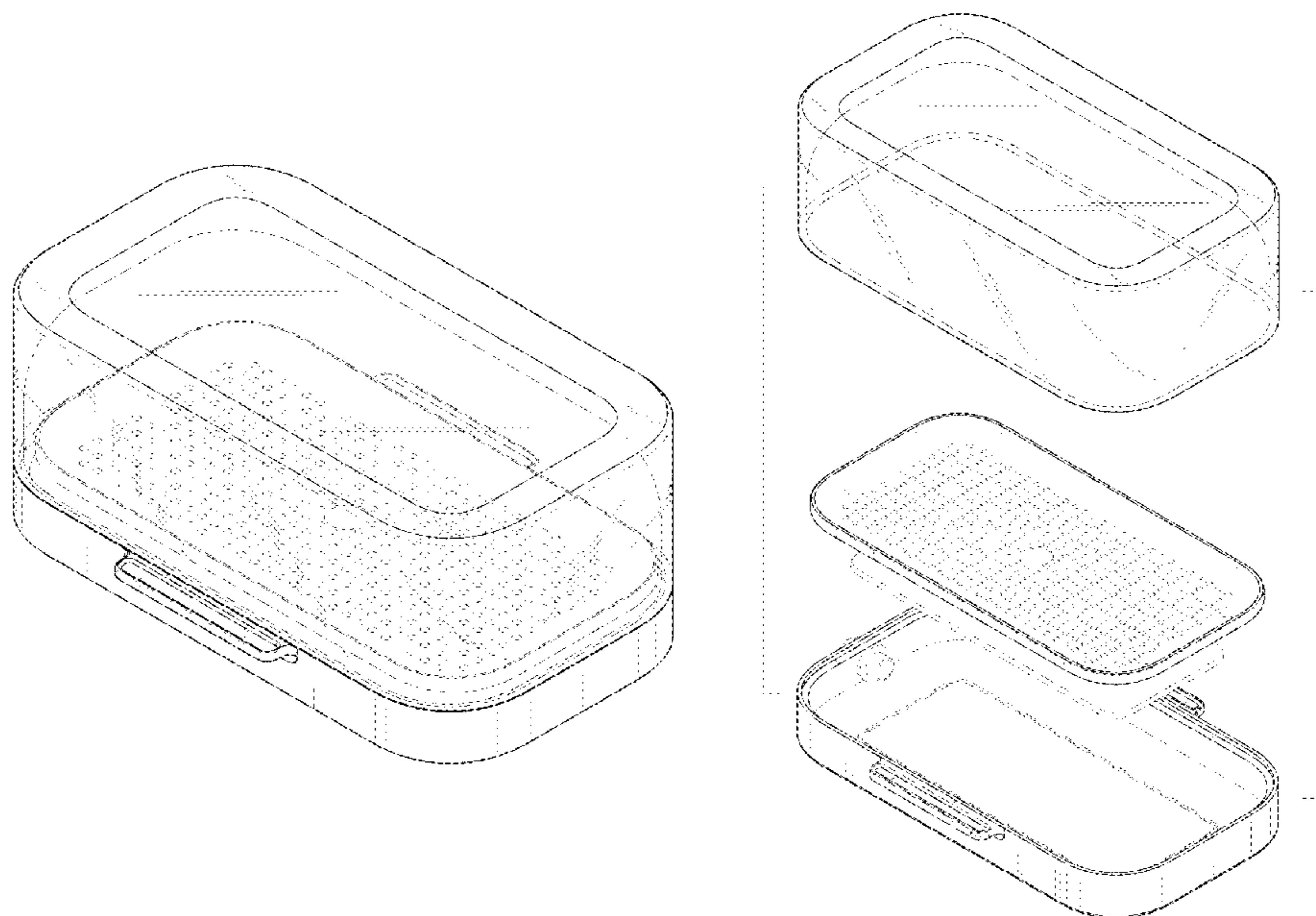


FIG. 1

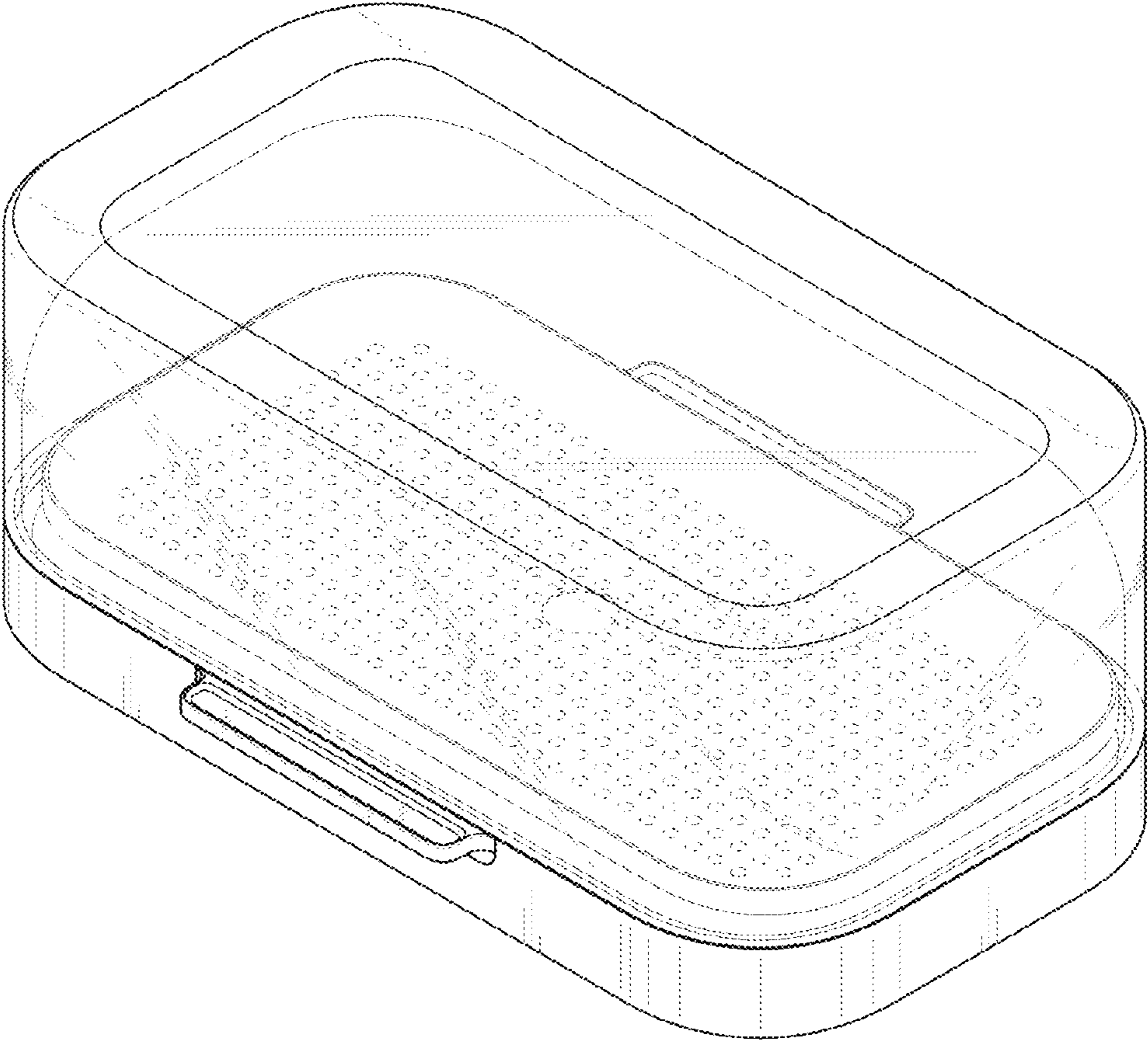


FIG. 2

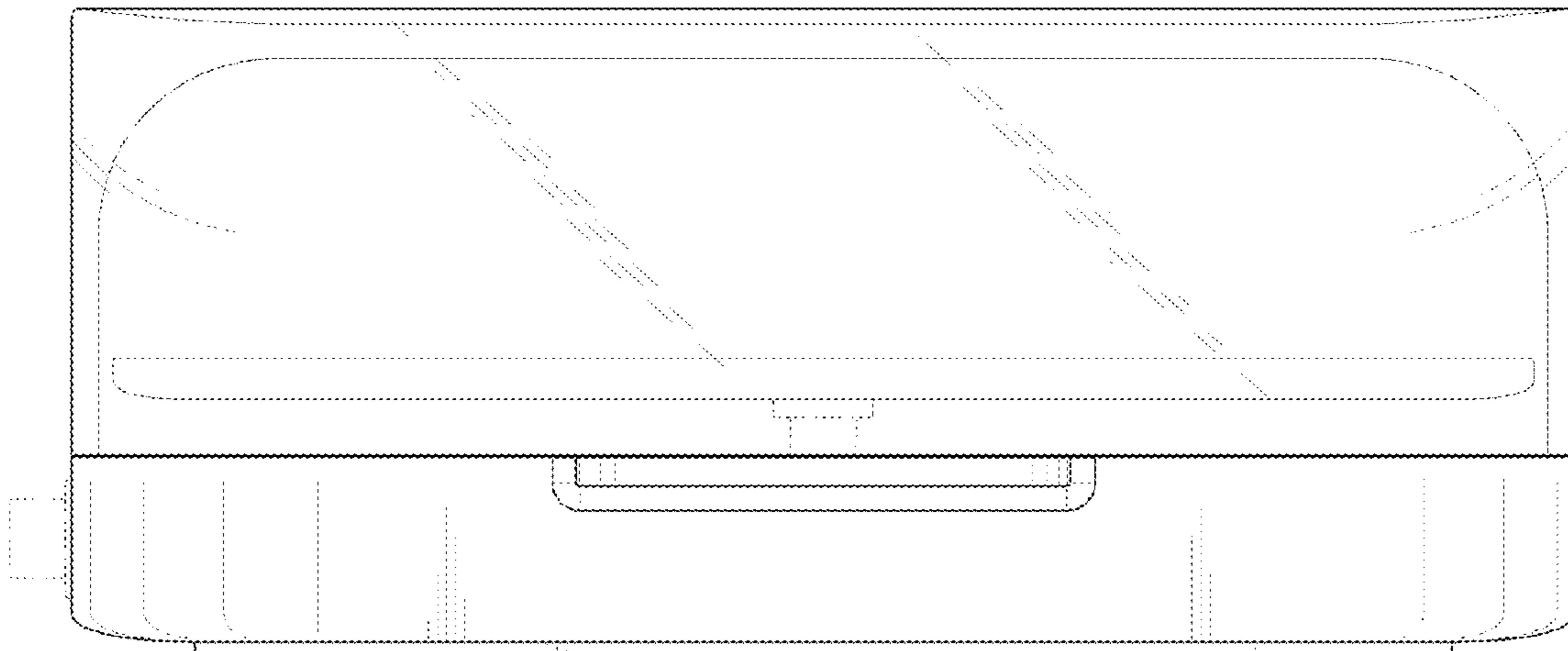


FIG. 3

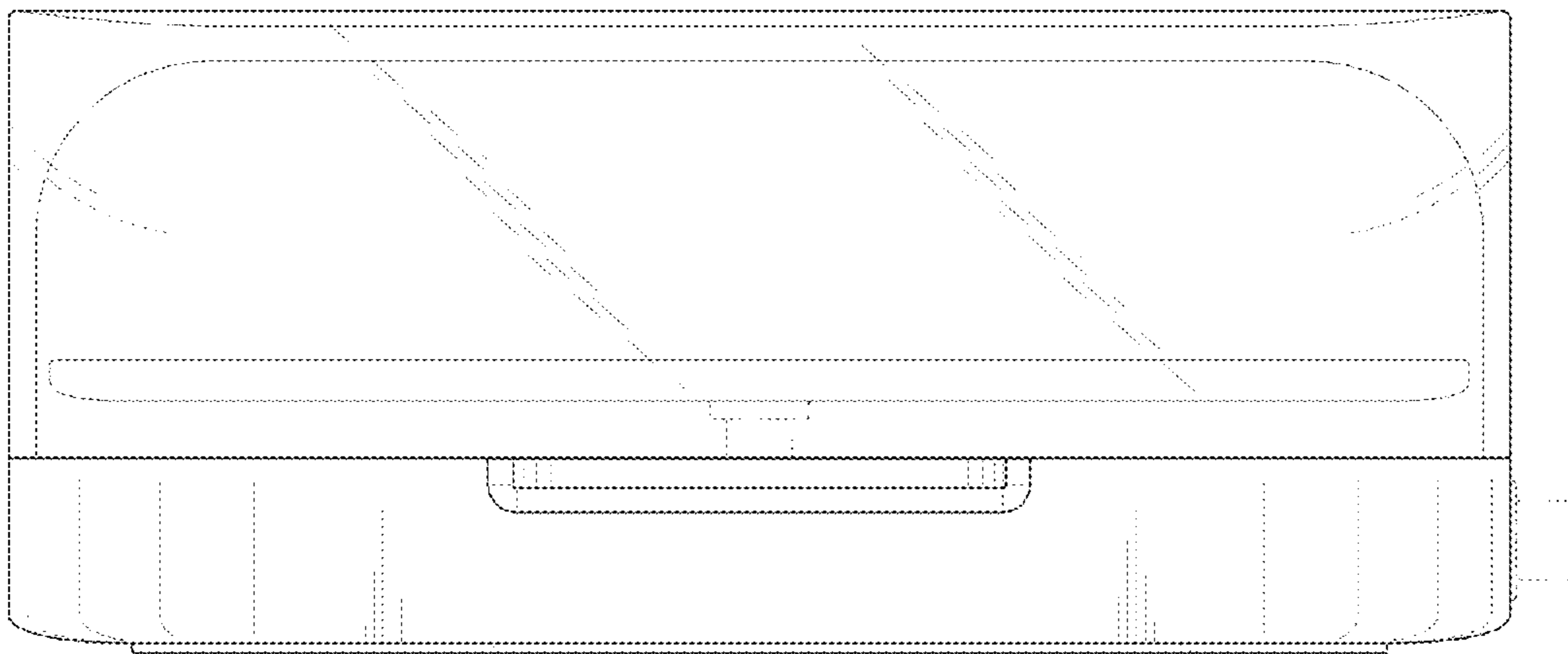


FIG. 4

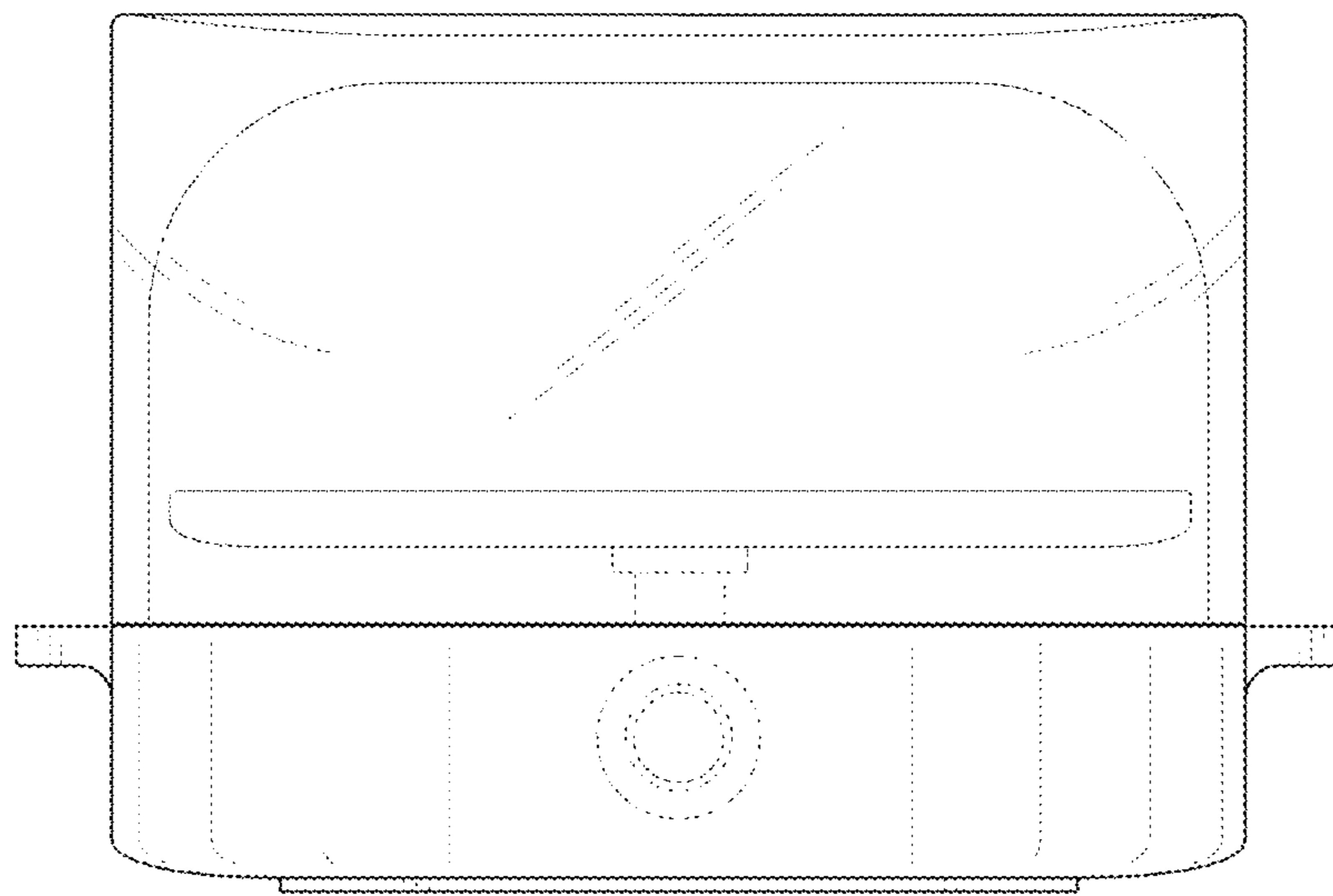


FIG. 5

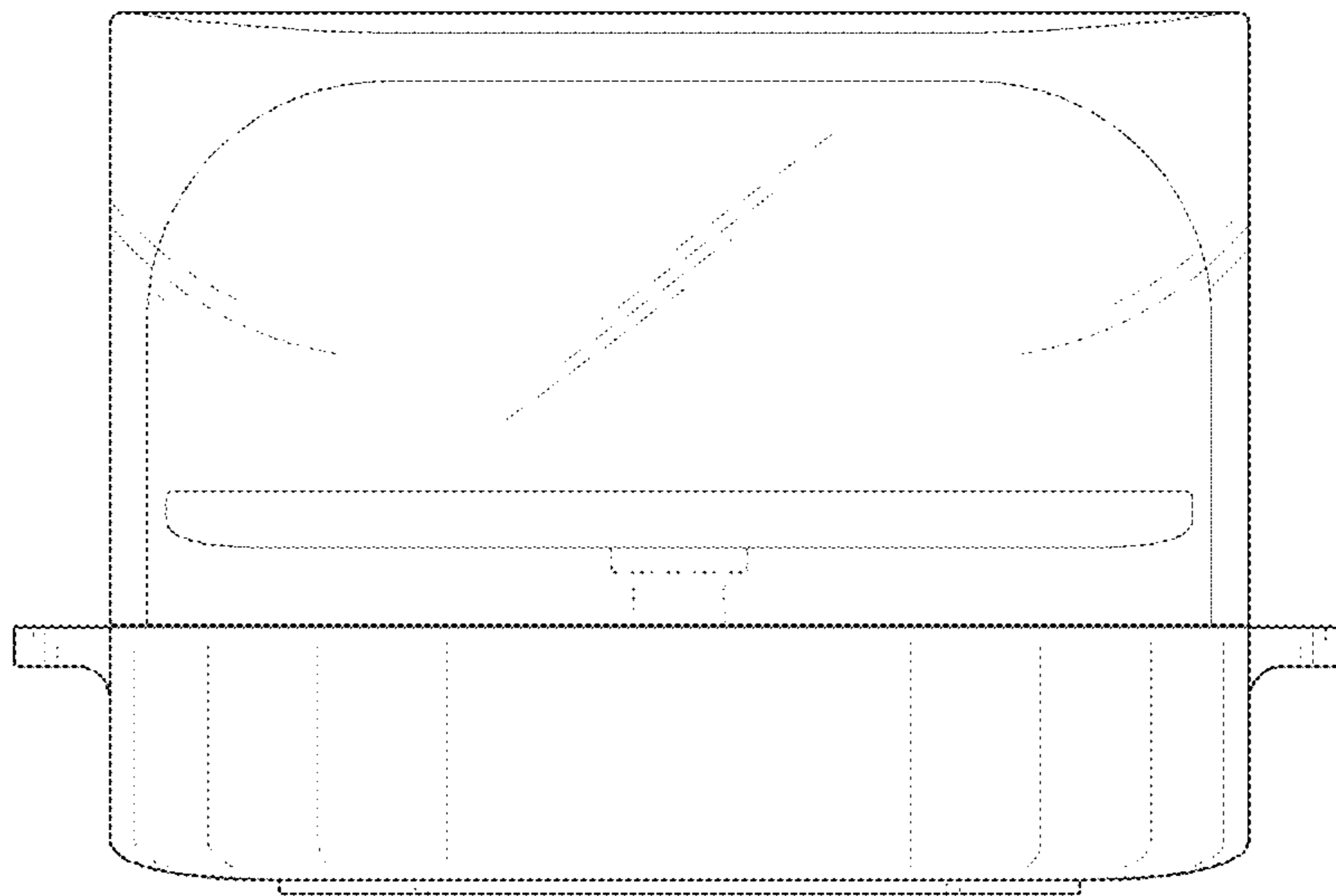


FIG. 6

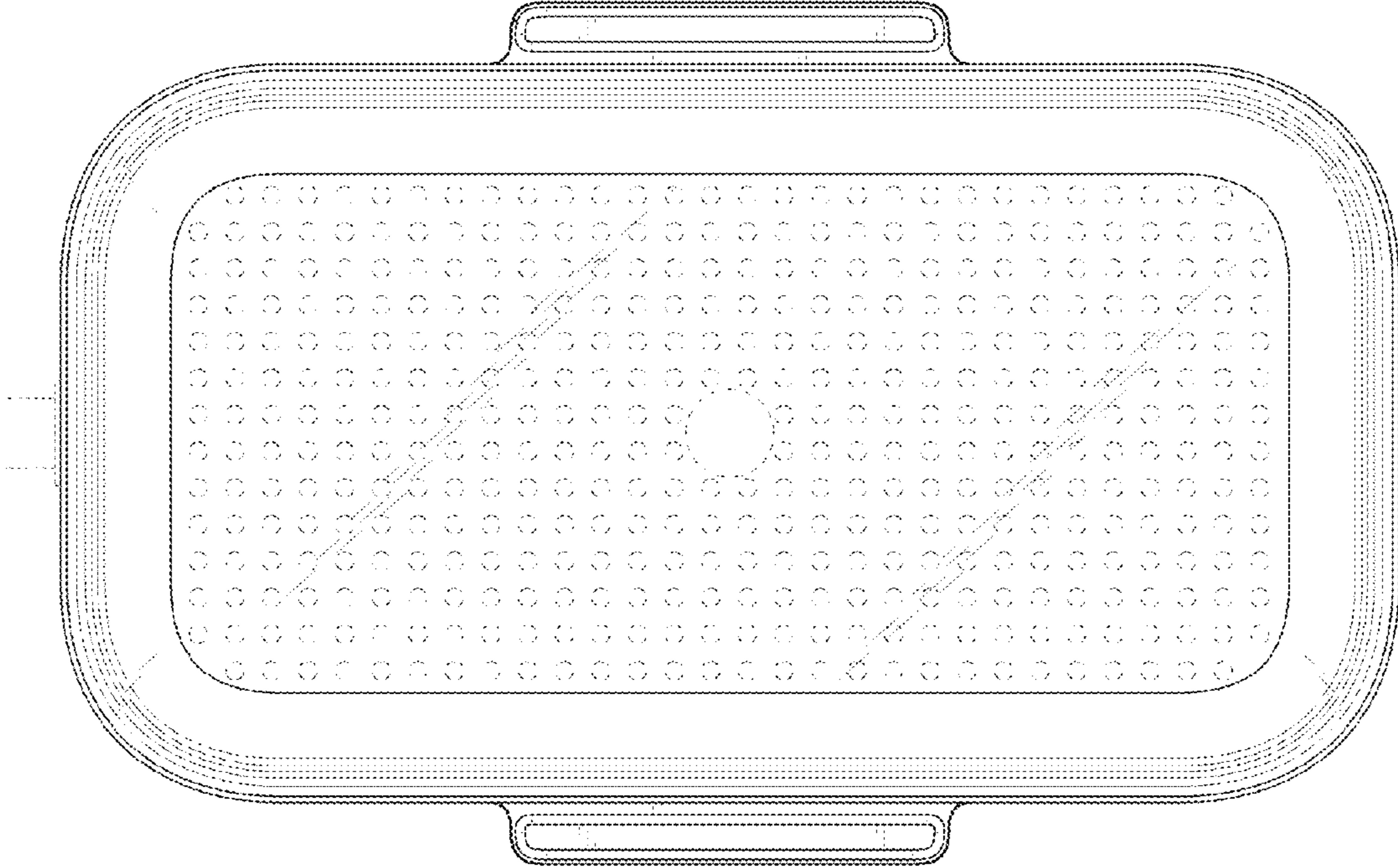


FIG. 7

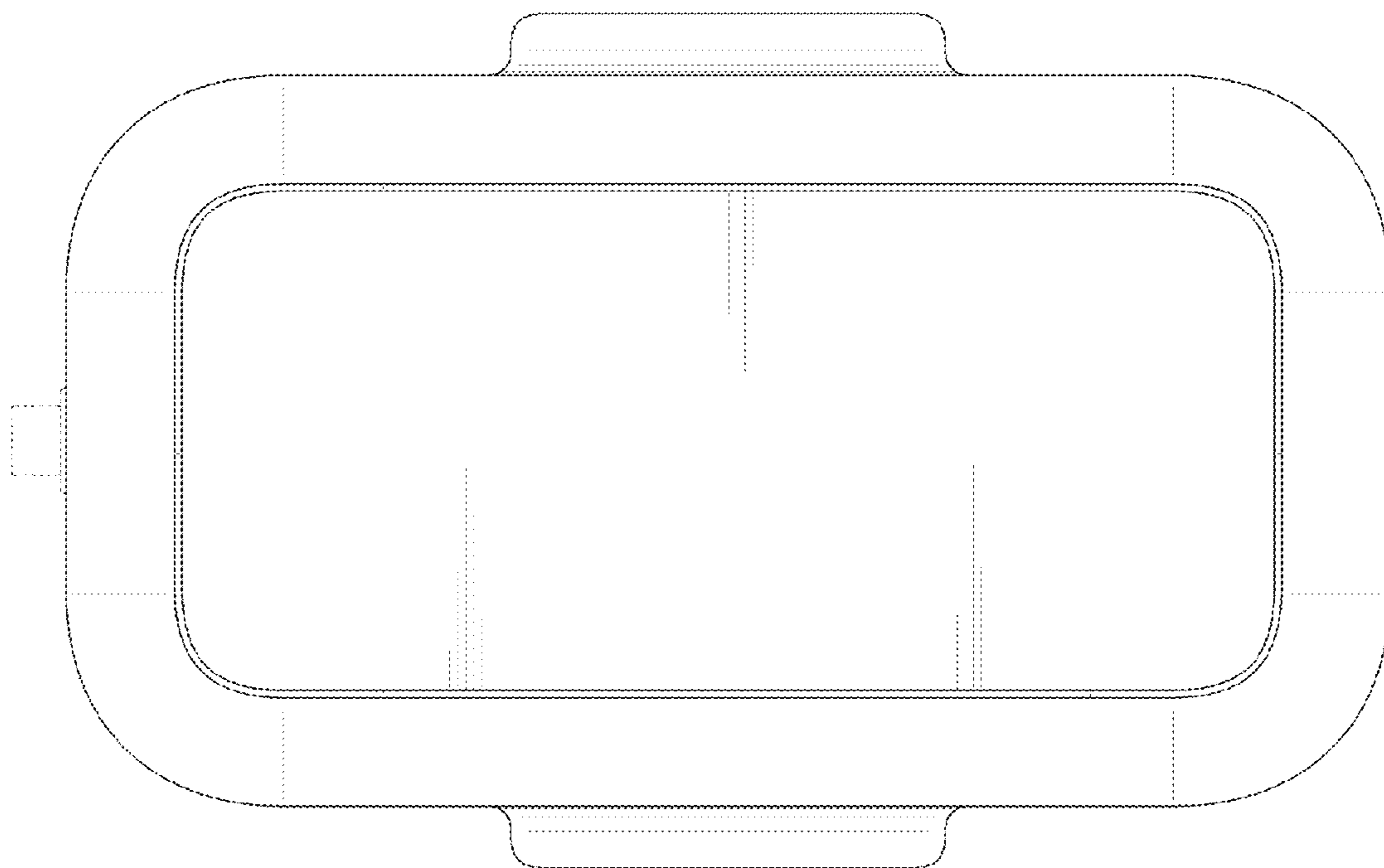


FIG. 8

