

US00D747912S

(12) **United States Design Patent**
Funnell, II et al.

(10) **Patent No.:** **US D747,912 S**
(45) **Date of Patent:** **** *Jan. 26, 2016**

- (54) **OVEN**
- (71) Applicant: **BSH Home Appliances Corporation**,
Irvine, CA (US)
- (72) Inventors: **Richard W. Funnell, II**, Huntington
Beach, CA (US); **Andrew Roberson**,
Long Beach, CA (US); **Graham
Sadtler**, Huntington Beach, CA (US)
- (73) Assignee: **BSH Home Appliances Corporation**,
Irvine, CA (US)
- (*) Notice: This patent is subject to a terminal dis-
claimer.
- (**) Term: **14 Years**
- (21) Appl. No.: **29/456,409**
- (22) Filed: **May 31, 2013**
- (51) **LOC (10) Cl.** **07-02**
- (52) **U.S. Cl.**
USPC **D7/348**
- (58) **Field of Classification Search**
USPC D7/339-349
CPC F24C 7/00; F24C 7/002; F24C 7/043;
F24C 7/046; F24C 7/062; F24C 7/067;
F24C 15/02; F24C 15/04
See application file for complete search history.

D552,920 S *	10/2007	Chung et al.	D7/348
D580,698 S *	11/2008	Kim et al.	D7/348
D603,650 S *	11/2009	Yalcin et al.	D7/349
D604,988 S *	12/2009	Yalcin et al.	D7/349
D611,755 S *	3/2010	Yalcin et al.	D7/349
D611,756 S *	3/2010	Yalcin et al.	D7/349
D626,782 S *	11/2010	Busalt et al.	D7/349
D627,593 S *	11/2010	Lee et al.	D7/340
D646,112 S *	10/2011	Park et al.	D7/348
D646,113 S *	10/2011	Park et al.	D7/348
D664,388 S *	7/2012	Park et al.	D7/348
D668,106 S *	10/2012	Borjesson	D7/405
D668,107 S *	10/2012	Borjesson	D7/405
D668,108 S *	10/2012	Borjesson	D7/405
D669,297 S *	10/2012	Tanaka et al.	D7/349
D710,646 S *	8/2014	Borjesson	D7/349
D724,889 S *	3/2015	Borjesson	D7/349

* cited by examiner

Primary Examiner — Mitchell Siegel

(74) *Attorney, Agent, or Firm* — James E. Howard; Andre Pallapies

(57) **CLAIM**

The ornamental design for an oven, as shown and described.

DESCRIPTION

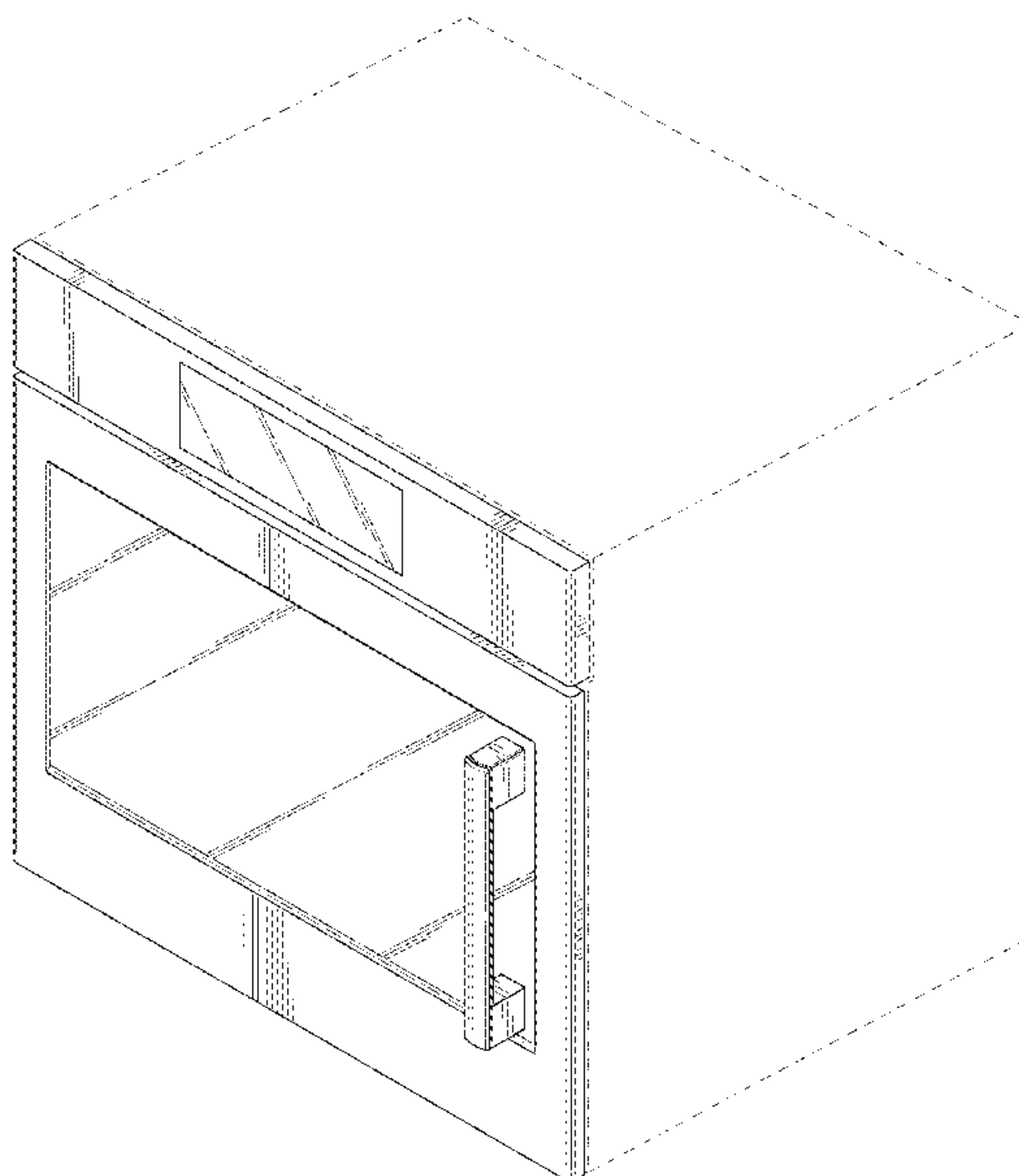
FIG. 1 is a front perspective view of an oven showing an embodiment of our new ornamental design;
 FIG. 2 a front view thereof;
 FIG. 3 is a top view thereof;
 FIG. 4 is a bottom view thereof; and,
 FIG. 5 is a right side view thereof, with the left side view thereof being a mirror image thereof.
 The broken lines represent environment and form no part of the claimed design.
 One or more views (e.g., rear view) of the oven may not be shown, which is an indication that the design in that view is not ornamented and/or is simply not claimed.

1 Claim, 5 Drawing Sheets

(56) **References Cited**

U.S. PATENT DOCUMENTS

D191,893 S *	12/1961	Faidy et al.	D7/340
D399,390 S *	10/1998	Baldwin	D7/405
D523,685 S *	6/2006	Jung et al.	D7/340
D526,527 S *	8/2006	Jung et al.	D7/348
D530,561 S *	10/2006	Kim	D7/351
D538,581 S *	3/2007	Lee et al.	D7/340



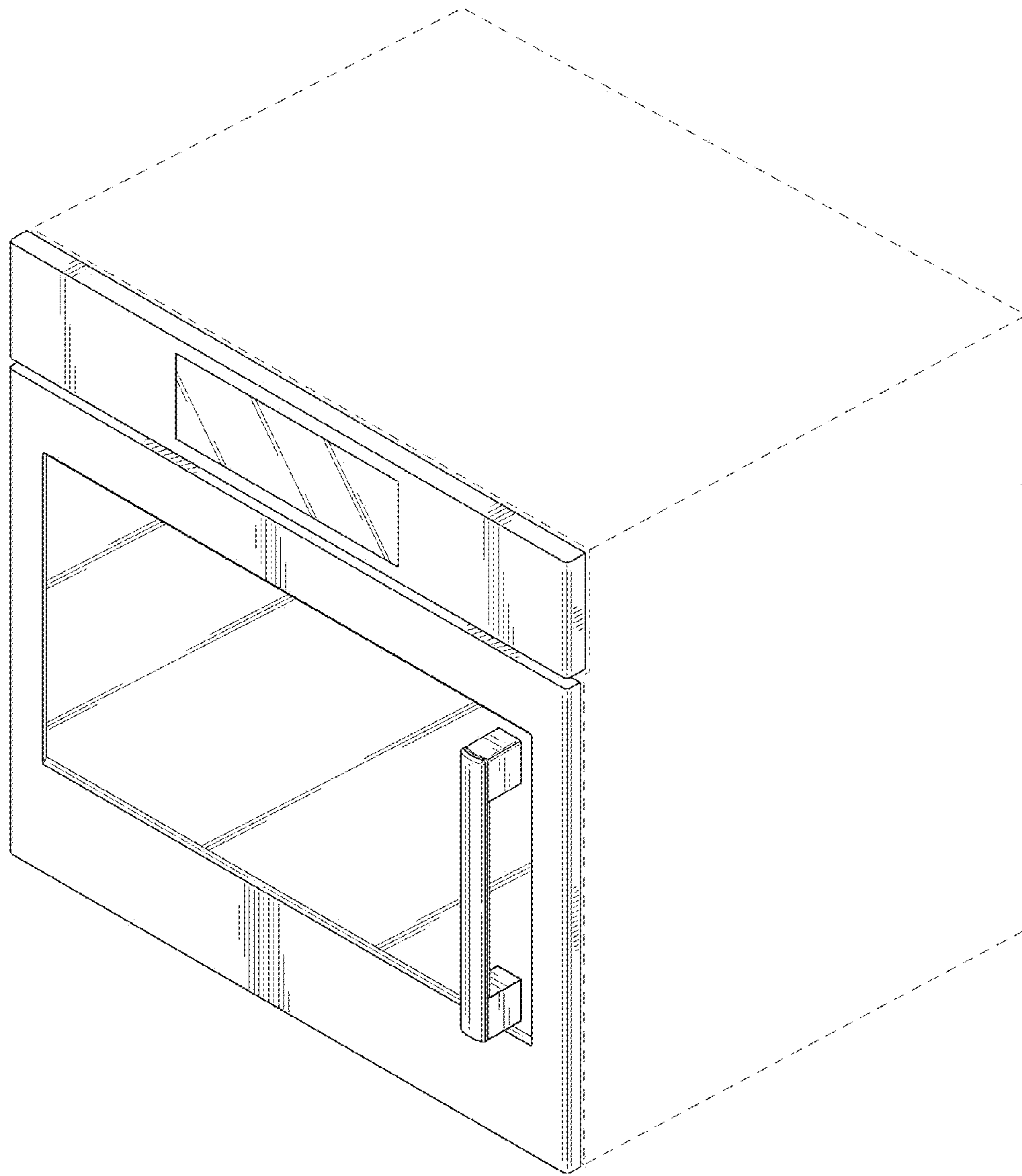


FIG. 1

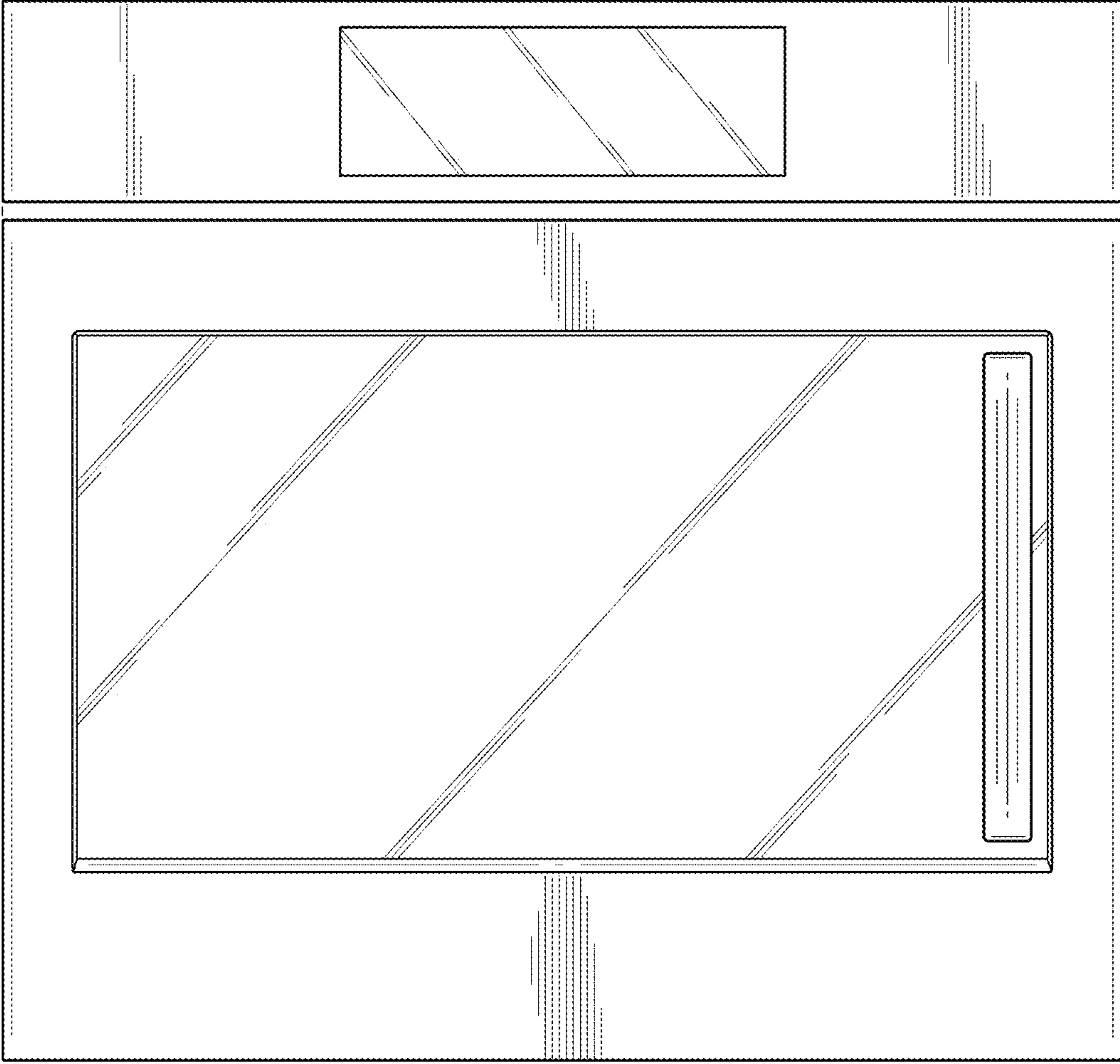


FIG. 2

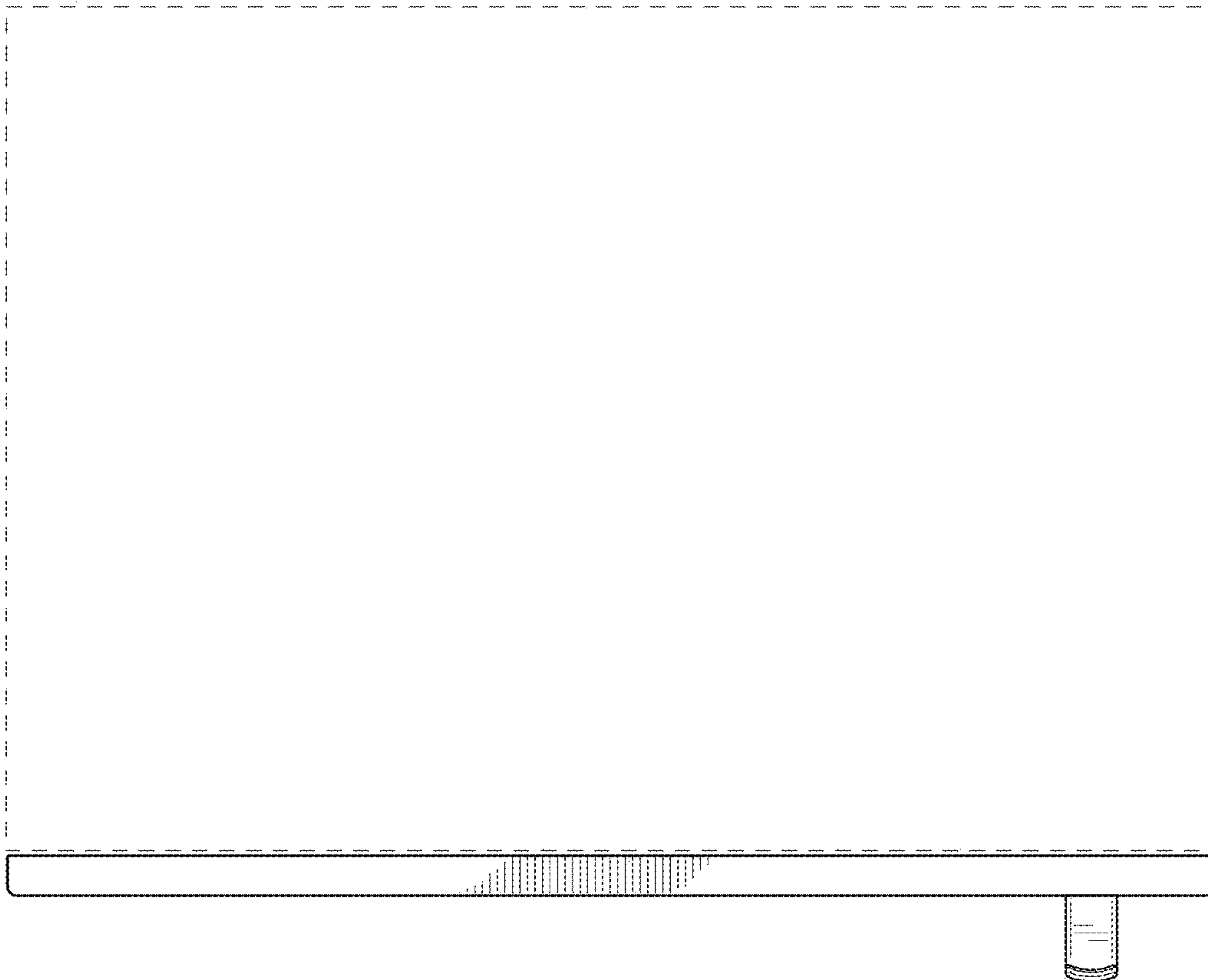


Fig. 3



Fig. 4

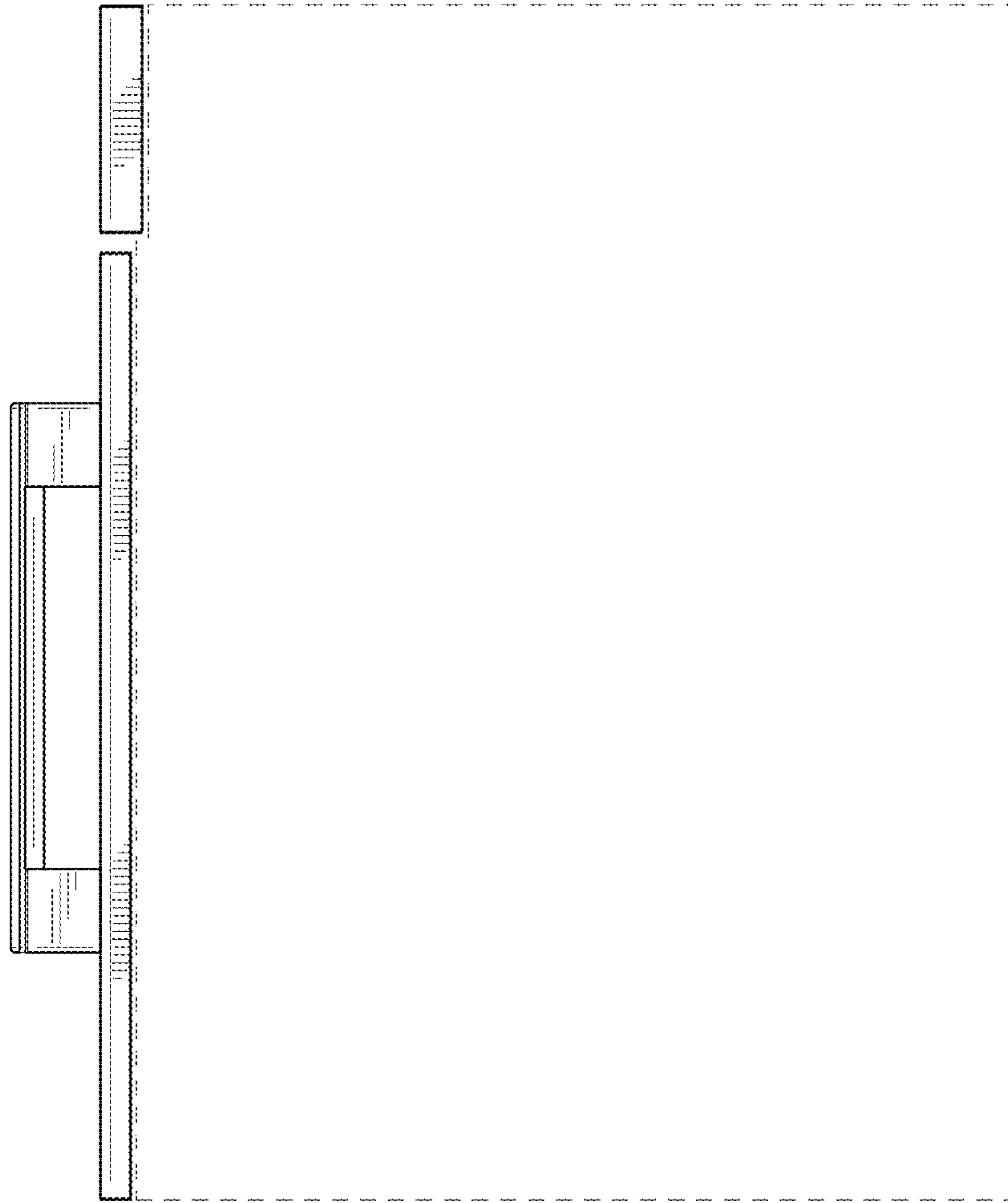


FIG. 5