



US00D747911S

(12) **United States Design Patent**
Sheppard

(10) **Patent No.:** **US D747,911 S**
(45) **Date of Patent:** **** Jan. 26, 2016**

(54) **WARMING TROLLEY**

(71) Applicant: **Canburg Limited**, Wiltshire (GB)

(72) Inventor: **Peter Ralph Sheppard**, London (GB)

(73) Assignee: **Canburg Limited**, Devizes, Wiltshire (GB)

(**) Term: **14 Years**

(21) Appl. No.: **29/502,925**

(22) Filed: **Sep. 22, 2014**

(51) **LOC (10) Cl.** **07-02**

(52) **U.S. Cl.**
USPC **D7/339**; D34/14

(58) **Field of Classification Search**
USPC D7/323, 337, 338, 339, 341;
D34/12-27
CPC A47C 21/028; A47B 31/00; A47B 31/02;
A47J 39/006
See application file for complete search history.

(56) **References Cited**

U.S. PATENT DOCUMENTS

D203,200 S * 12/1965 Klein et al. D34/20
D284,802 S * 7/1986 Karapetian D34/19

D493,593 S * 7/2004 Anderson D34/14
D554,323 S * 10/2007 Roth D34/12
D560,420 S * 1/2008 Roth D7/334
D591,021 S * 4/2009 Peacock D34/17

* cited by examiner

Primary Examiner — Michael A Pratt

(74) *Attorney, Agent, or Firm* — Gesmer Updegrave LLP

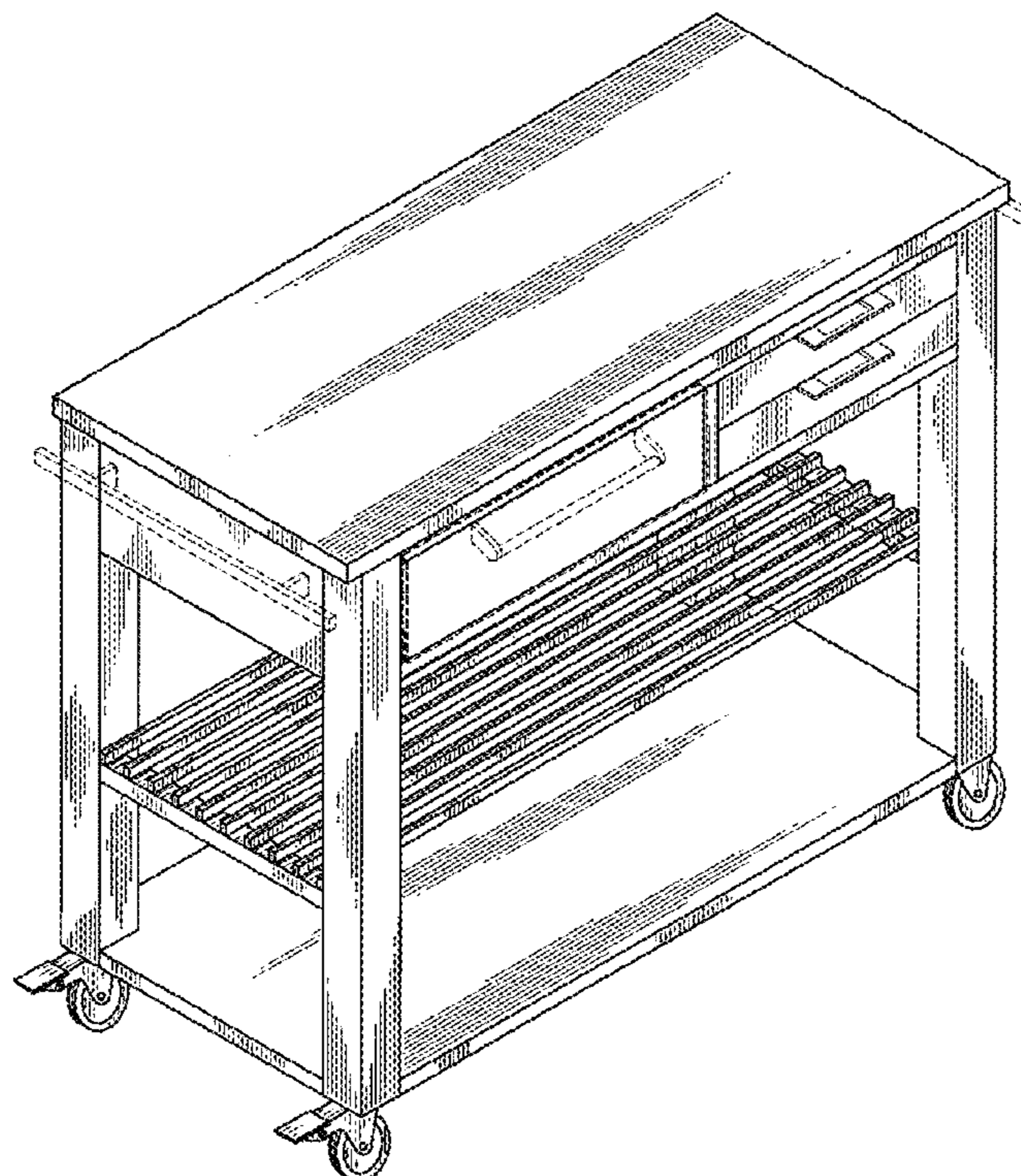
(57) **CLAIM**

What is claimed is the ornamental appearance of the warming trolley, as shown and described herein.

DESCRIPTION

FIG. 1 depicts a perspective view of the warming trolley; FIG. 2 depicts a front view of the warming trolley of FIG. 1; FIG. 3 depicts a bottom view of the warming trolley of FIG. 1; FIG. 4 depicts a top view of the warming trolley of FIG. 1; FIG. 5 depicts a back view of the warming trolley of FIG. 1; FIG. 6 depicts a left side view of the warming trolley of FIG. 1; and, FIG. 7 depicts a right side view of the warming trolley of FIG. 1. The broken lines in FIGS. 1-7 form no part of the claimed design.

1 Claim, 4 Drawing Sheets



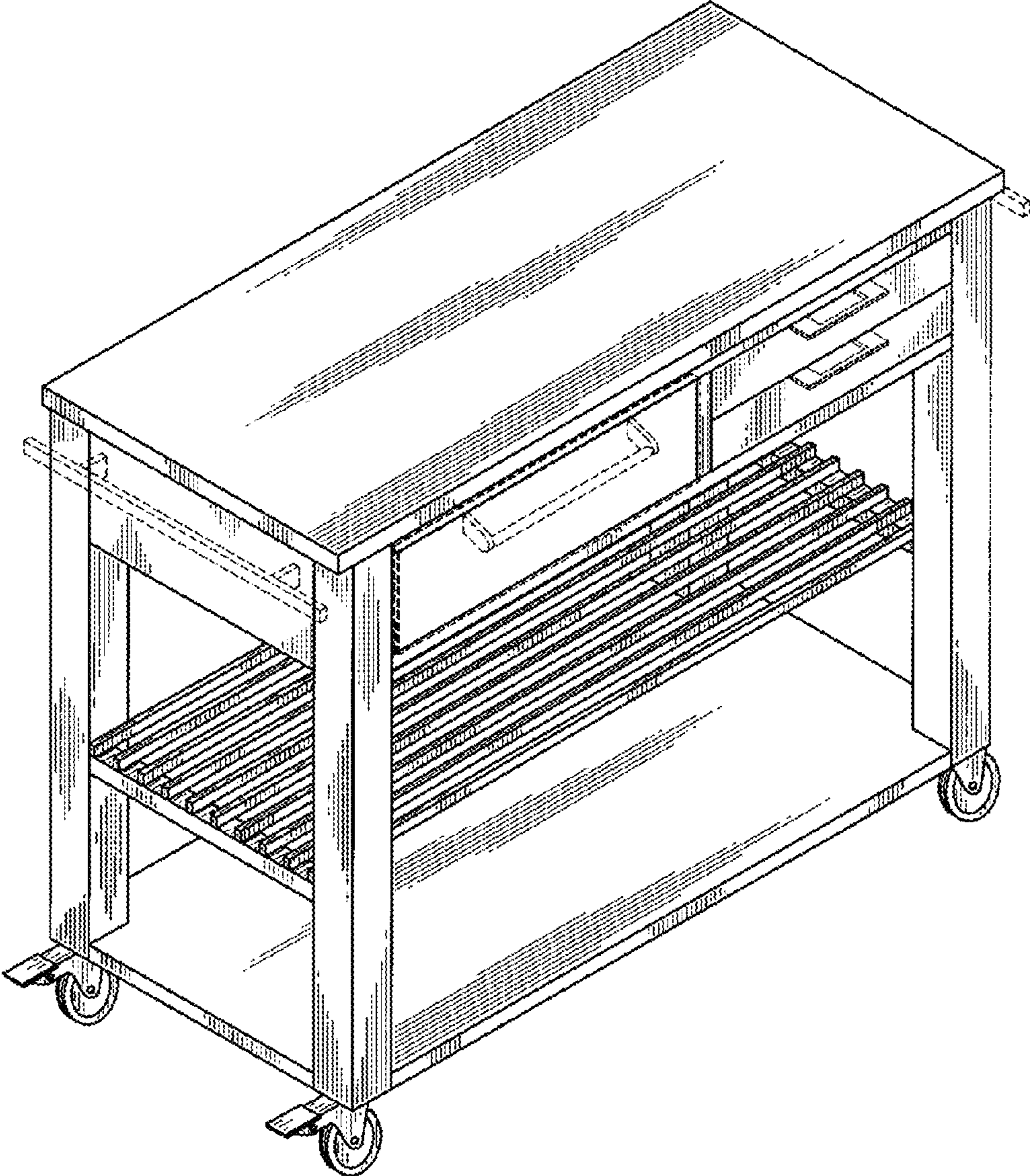


FIG. 1

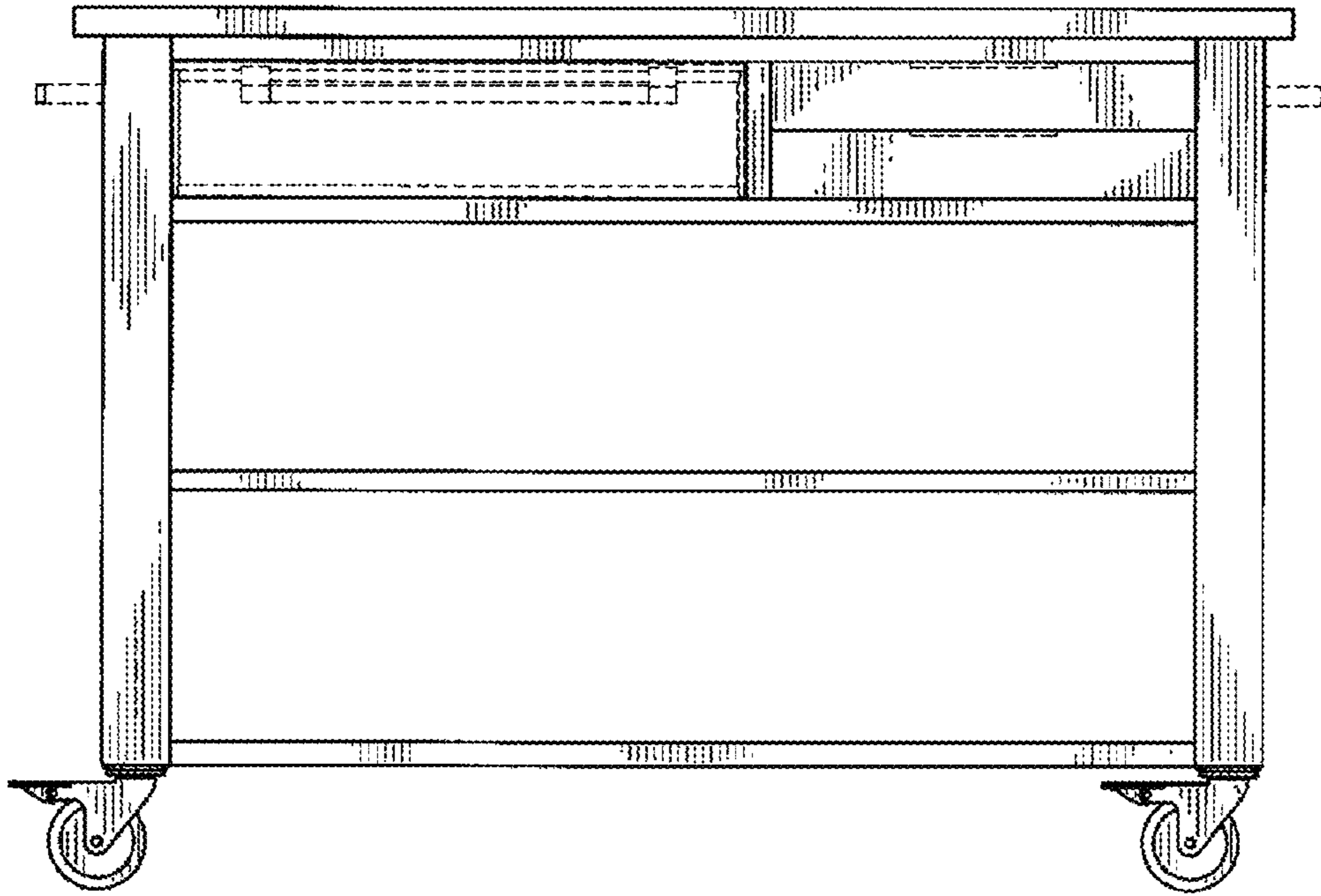


FIG. 2

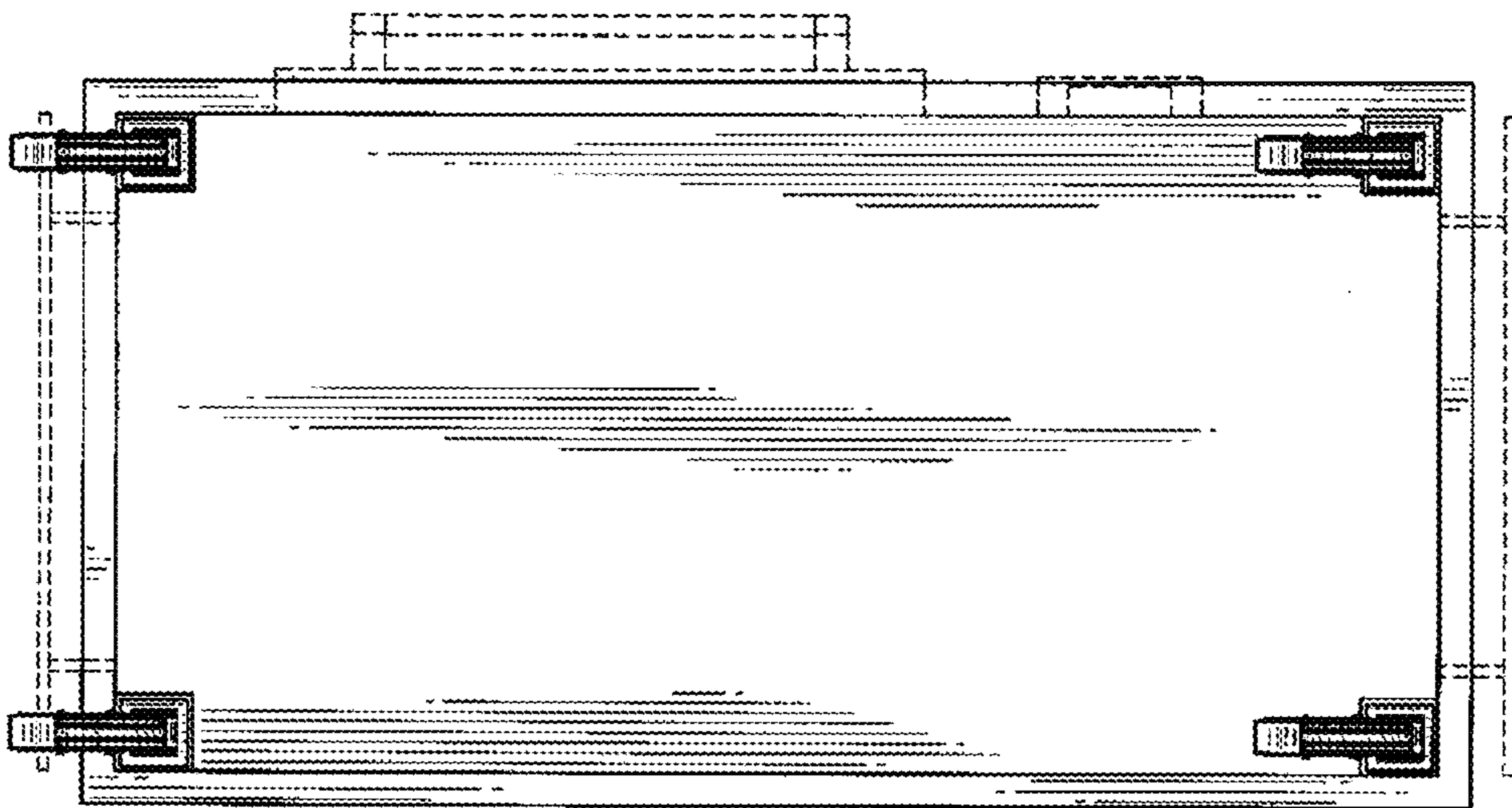


FIG. 3

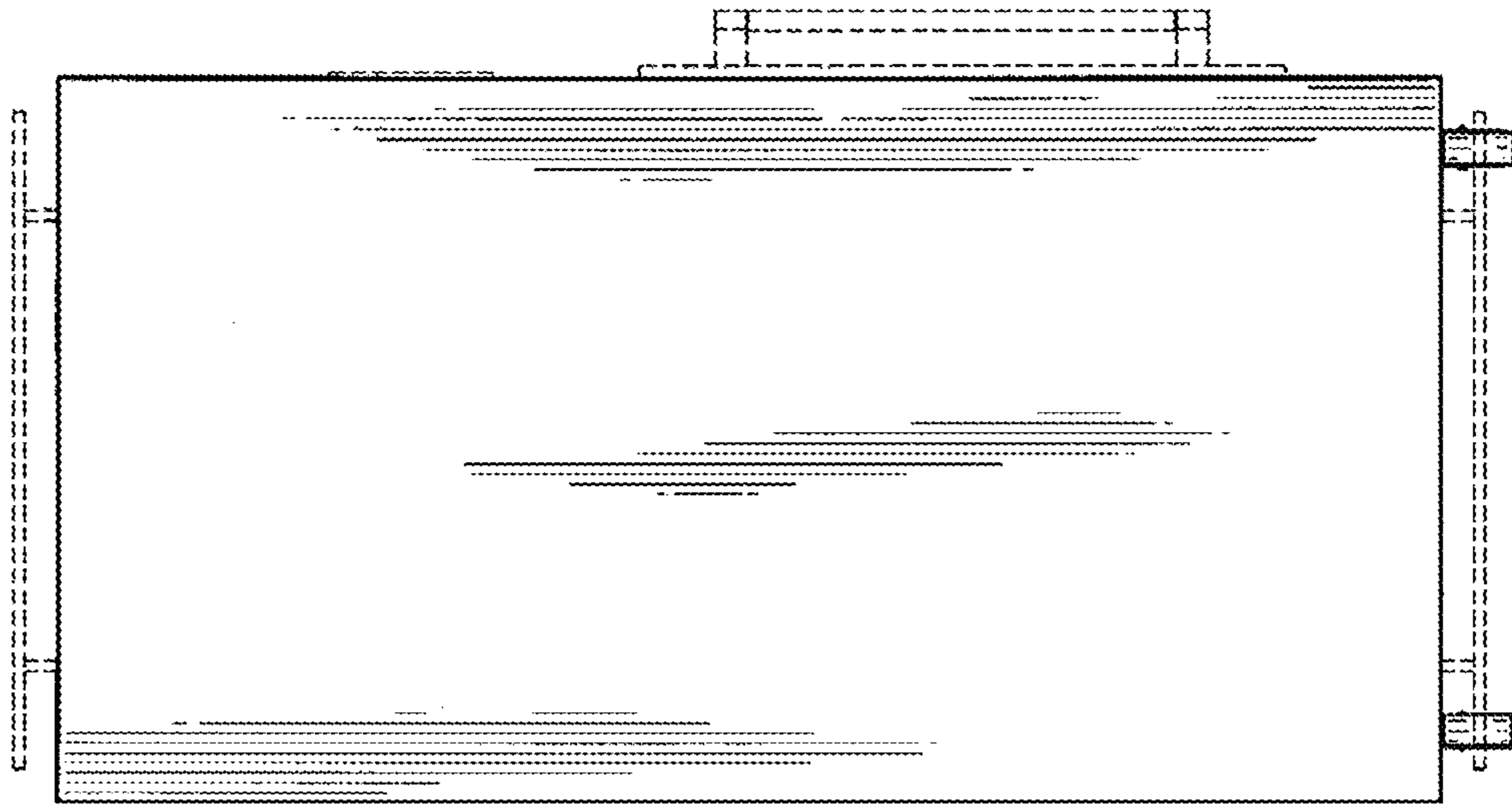


FIG. 4

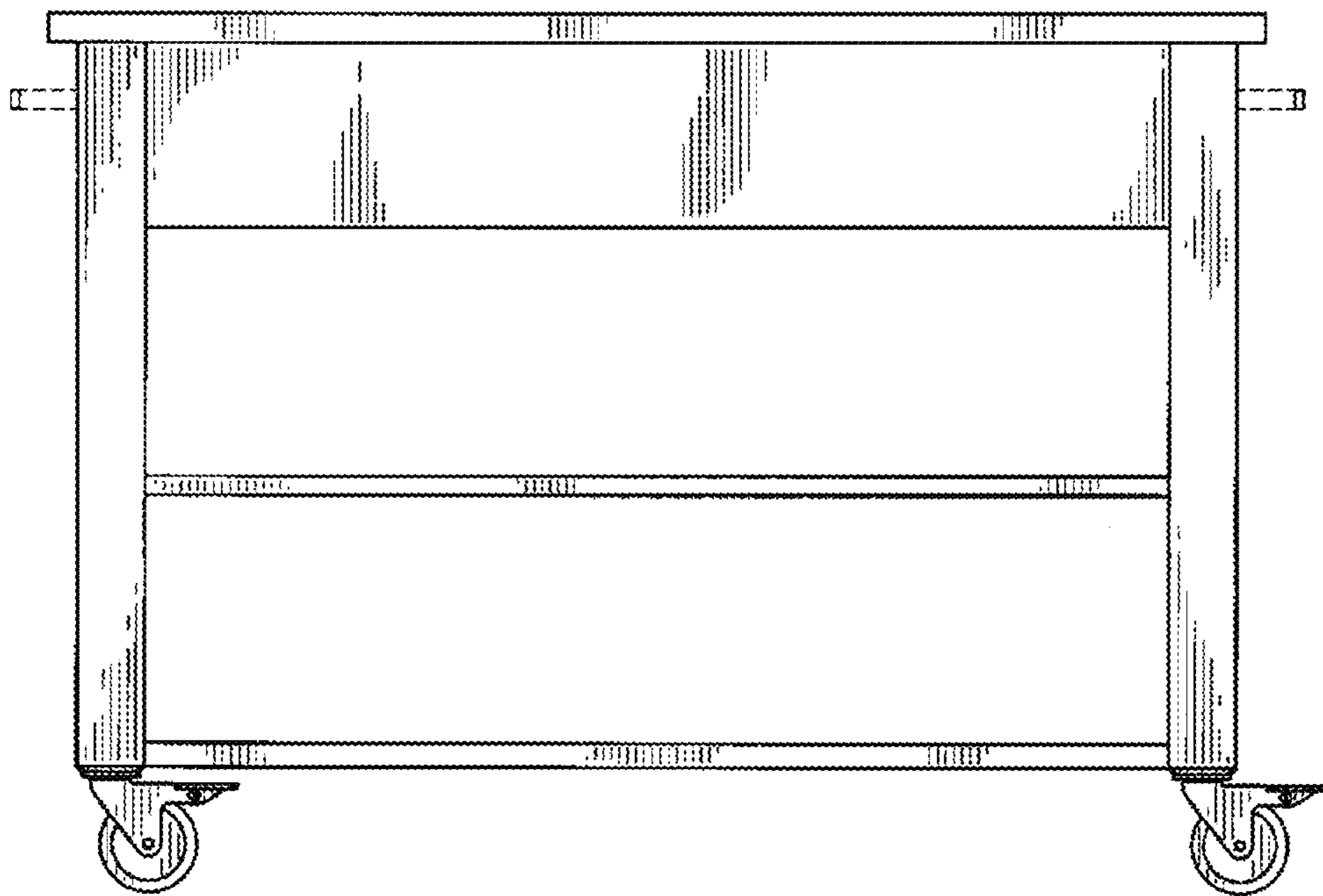


FIG. 5

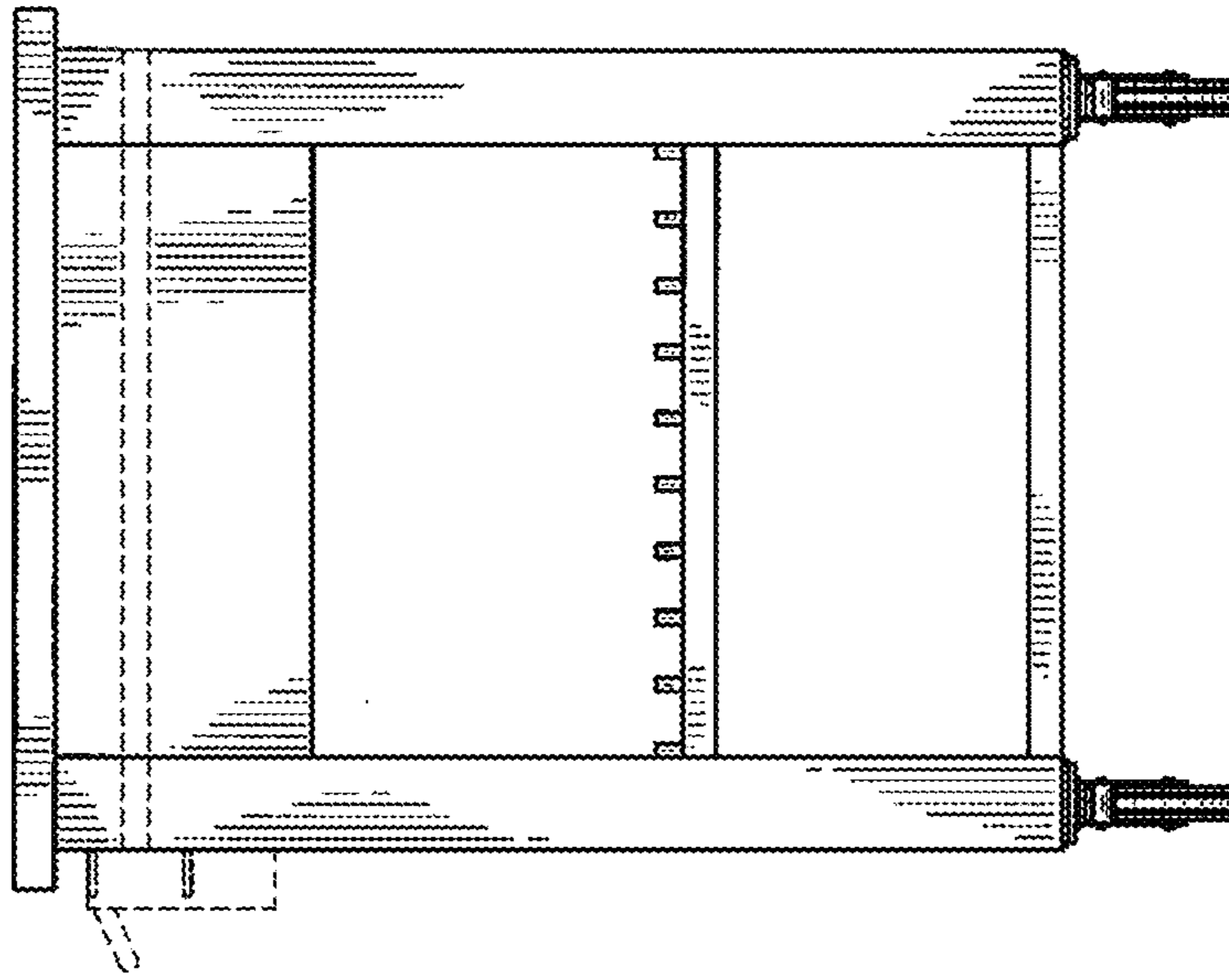


FIG. 6

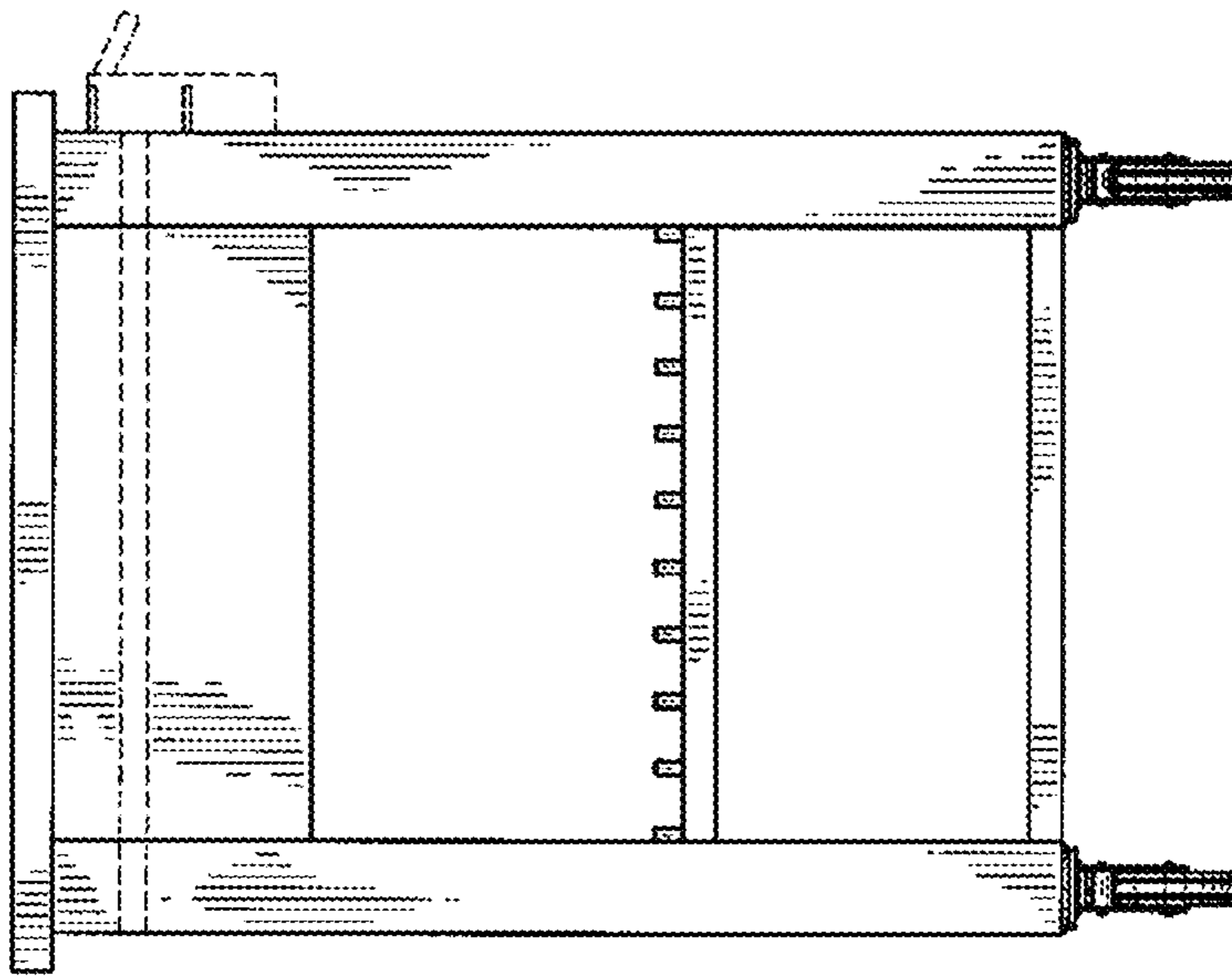


FIG. 7