



US00D747906S

(12) **United States Design Patent**
Paz

(10) **Patent No.:** **US D747,906 S**
(45) **Date of Patent:** **** Jan. 26, 2016**

- (54) **BENCH**
- (71) Applicant: **LANDSCAPE FORMS, INC.**,
Kalamazoo, MI (US)
- (72) Inventor: **Francisco Gomez Paz**, Milan (IT)
- (73) Assignee: **LANDSCAPE FORMS, INC.**,
Kalamazoo, MI (US)
- (**) Term: **14 Years**
- (21) Appl. No.: **29/519,384**
- (22) Filed: **Mar. 4, 2015**
- (51) **LOC (10) Cl.** **06-01**
- (52) **U.S. Cl.**
USPC **D6/717**
- (58) **Field of Classification Search**
USPC D6/334-336, 349, 355, 370, 371, 373,
D6/376, 379, 381, 709.22, 716, 716.1,
D6/716.2, 716.3, 717
CPC A47C 4/03; A47C 4/025; A47C 7/16;
A47C 7/285; A47C 7/54; A47C 11/00
See application file for complete search history.

D529,736 S *	10/2006	McCurry	D6/717
D572,048 S *	7/2008	Weimer	D6/717
D572,947 S *	7/2008	Weimer	D6/717
D574,639 S *	8/2008	Weimer	D6/717
D710,139 S *	8/2014	Skalka	D6/717
D712,184 S *	9/2014	Behar	D6/370

FOREIGN PATENT DOCUMENTS

KR 30-0687626 4/2013

* cited by examiner

Primary Examiner — Mimoso De

(74) *Attorney, Agent, or Firm* — Heslin Rothenberg Farley & Mesiti P.C.

(57) **CLAIM**

The ornamental design for a bench, as shown and described.

DESCRIPTION

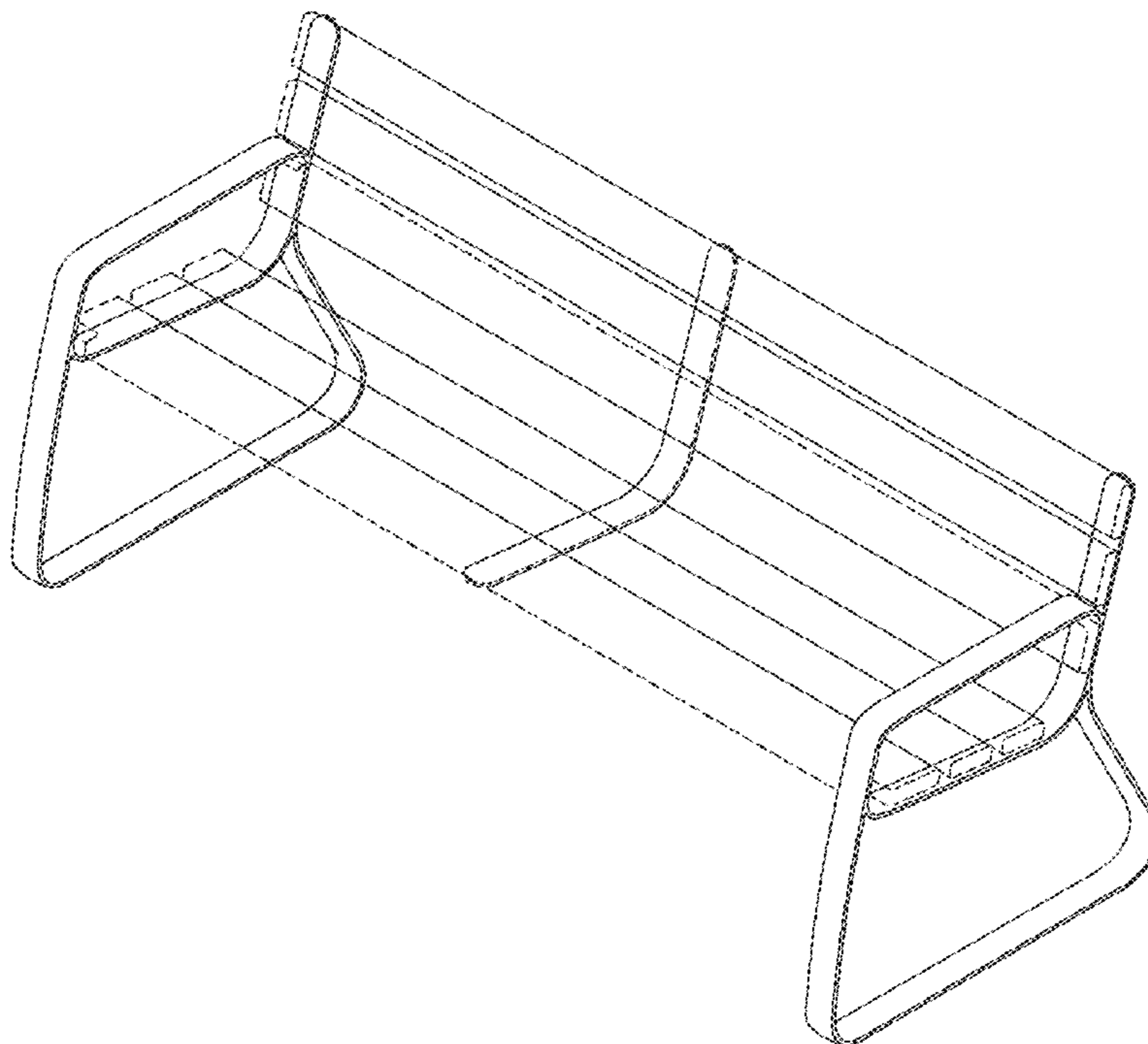
FIG. 1 is a perspective view of the bench of the present invention;
 FIG. 2 is a right side elevation view thereof, the left side elevation view being a mirror image thereof;
 FIG. 3 is a front elevation view thereof;
 FIG. 4 is a top plan view thereof; and,
 FIG. 5 is a rear elevation view thereof.
 The broken lines in the figures are for purposes of illustrating environmental structure only and form no part of the claimed invention.

1 Claim, 5 Drawing Sheets

(56) **References Cited**

U.S. PATENT DOCUMENTS

D185,164 S *	5/1959	Molla	D6/717
D226,749 S *	4/1973	Koepke	D6/373
D294,782 S *	3/1988	Balderi	D6/370
D419,004 S *	1/2000	Collins	D6/717



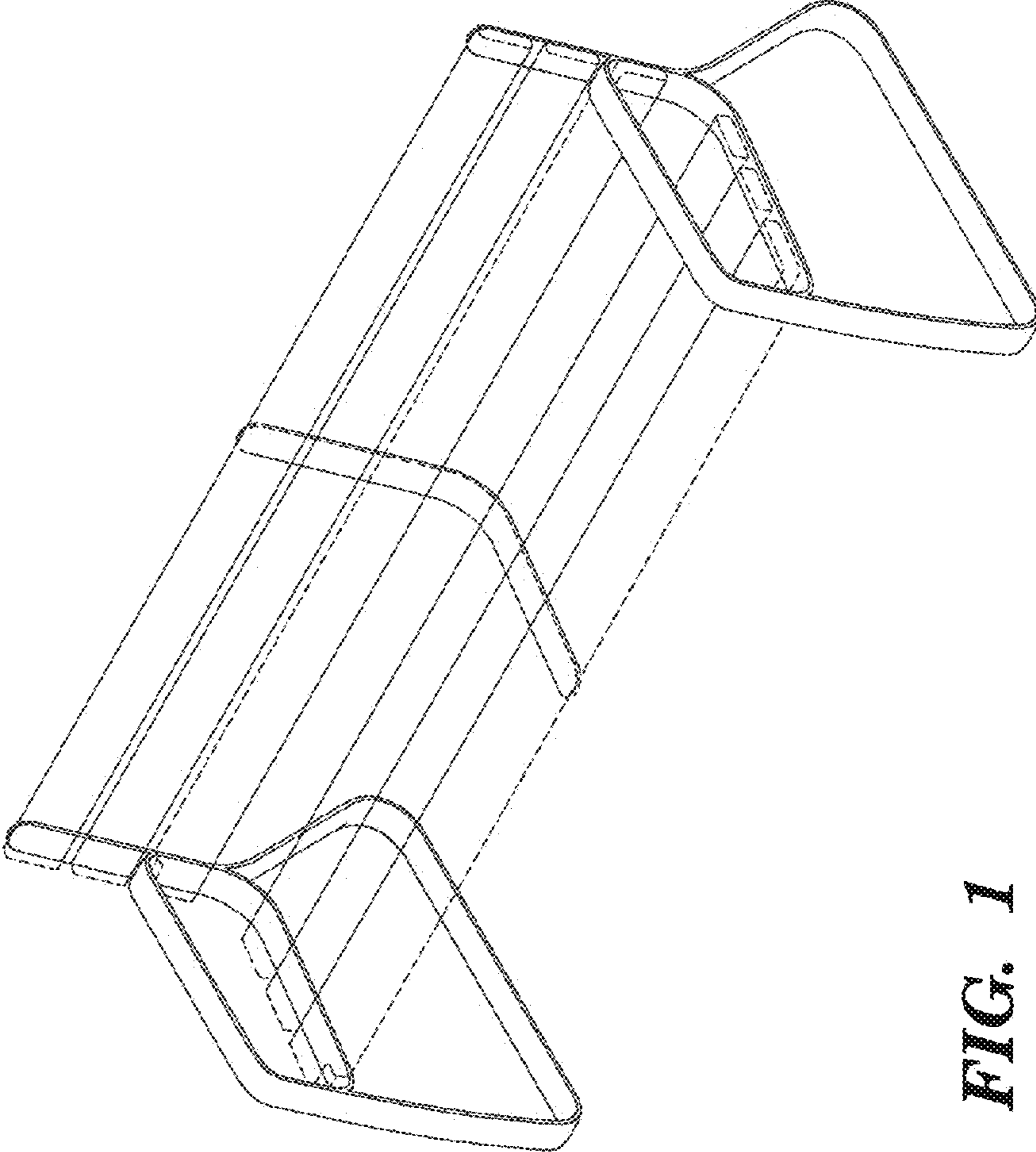


FIG. 1

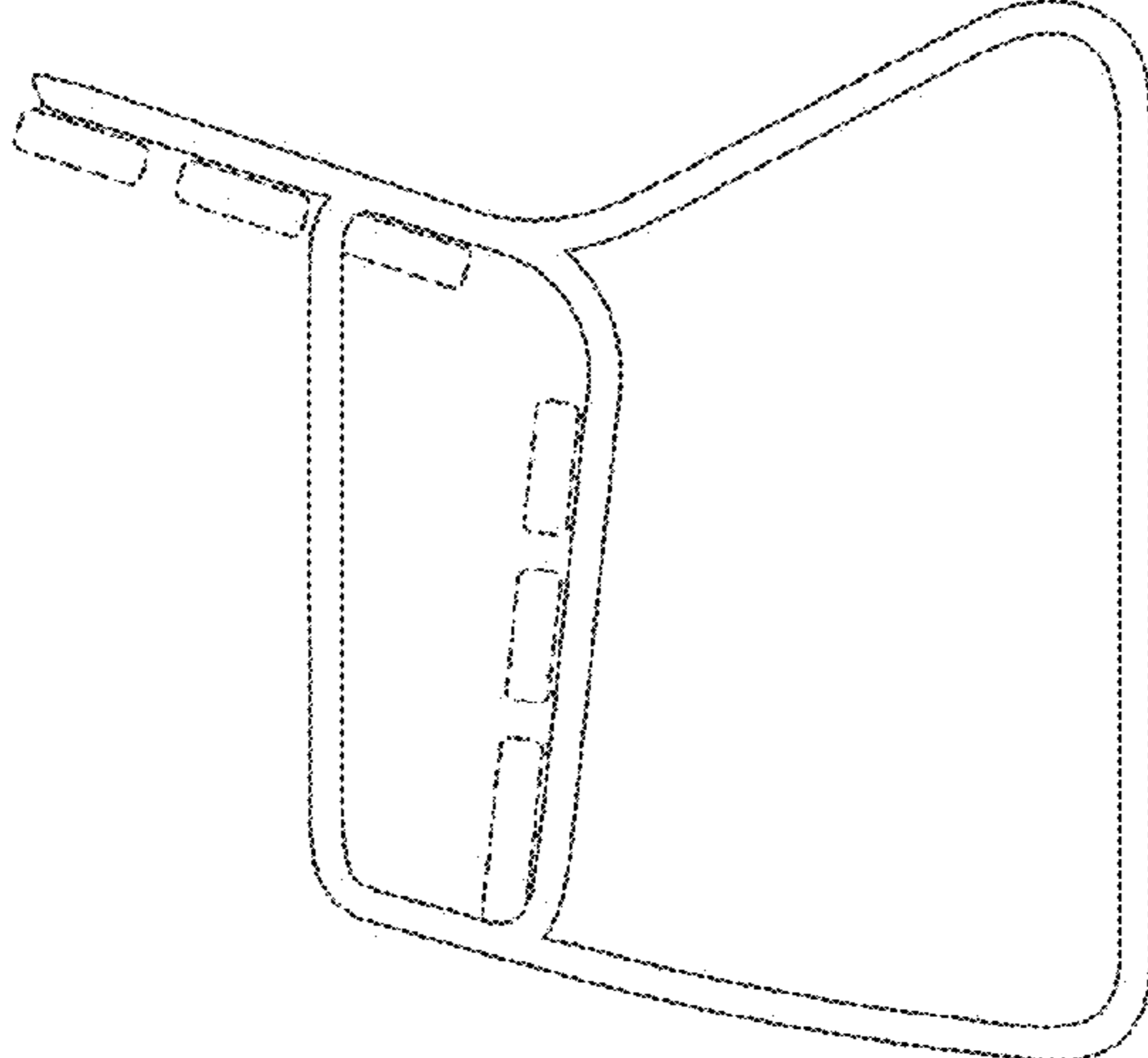


FIG. 2

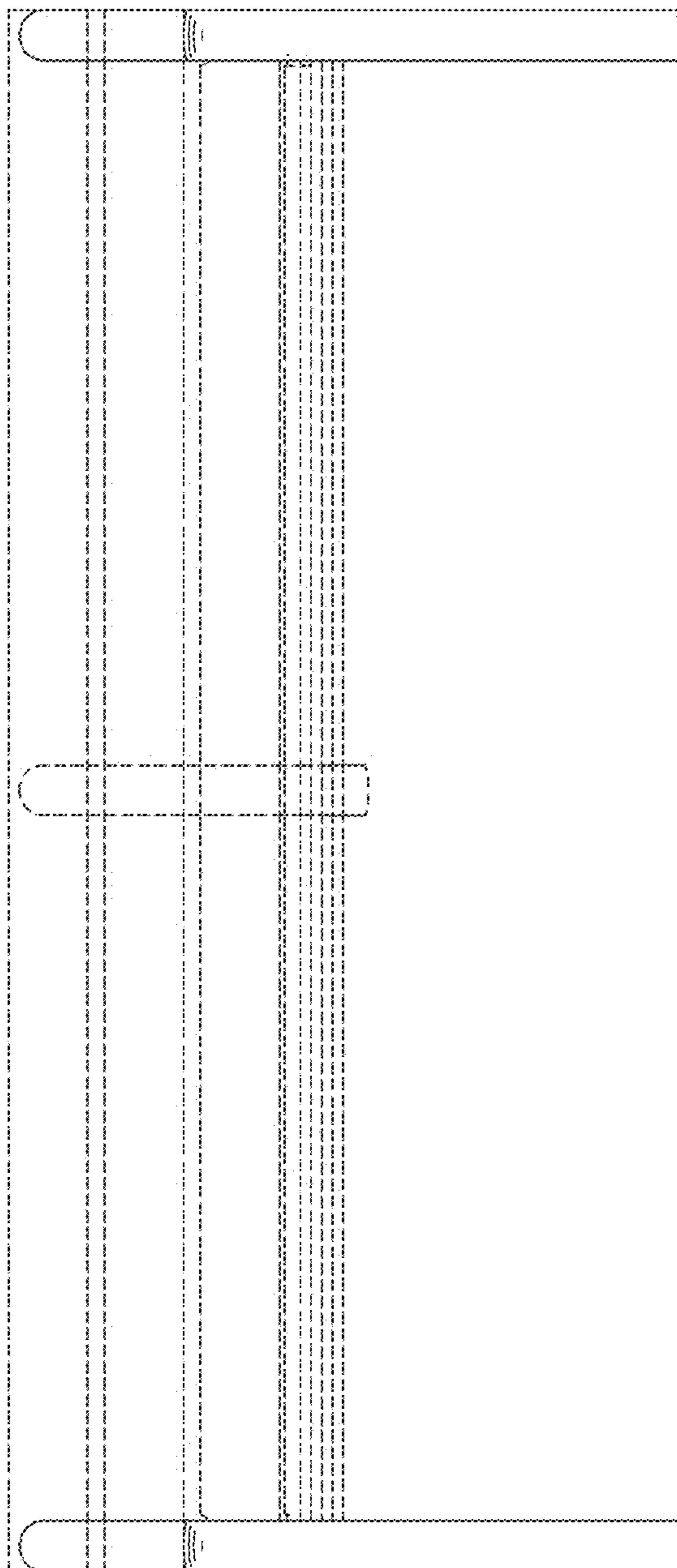


FIG. 3

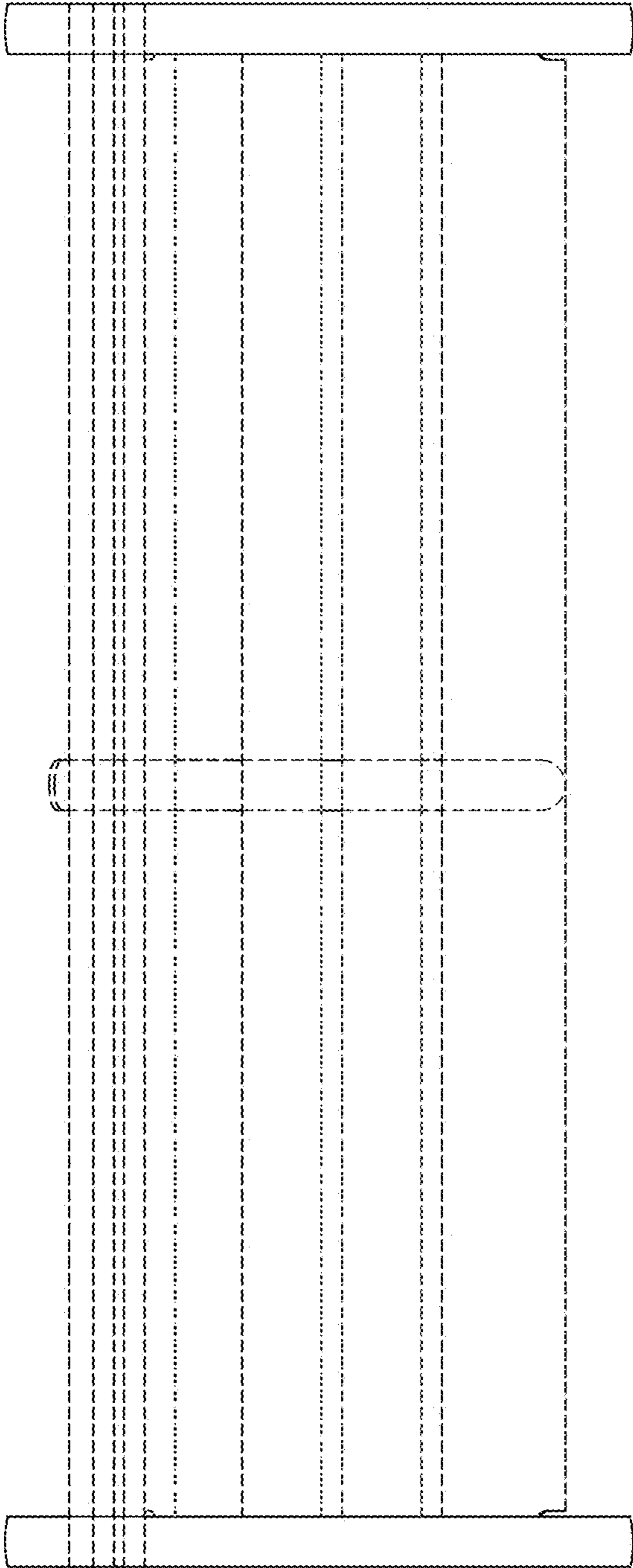


FIGURE 4

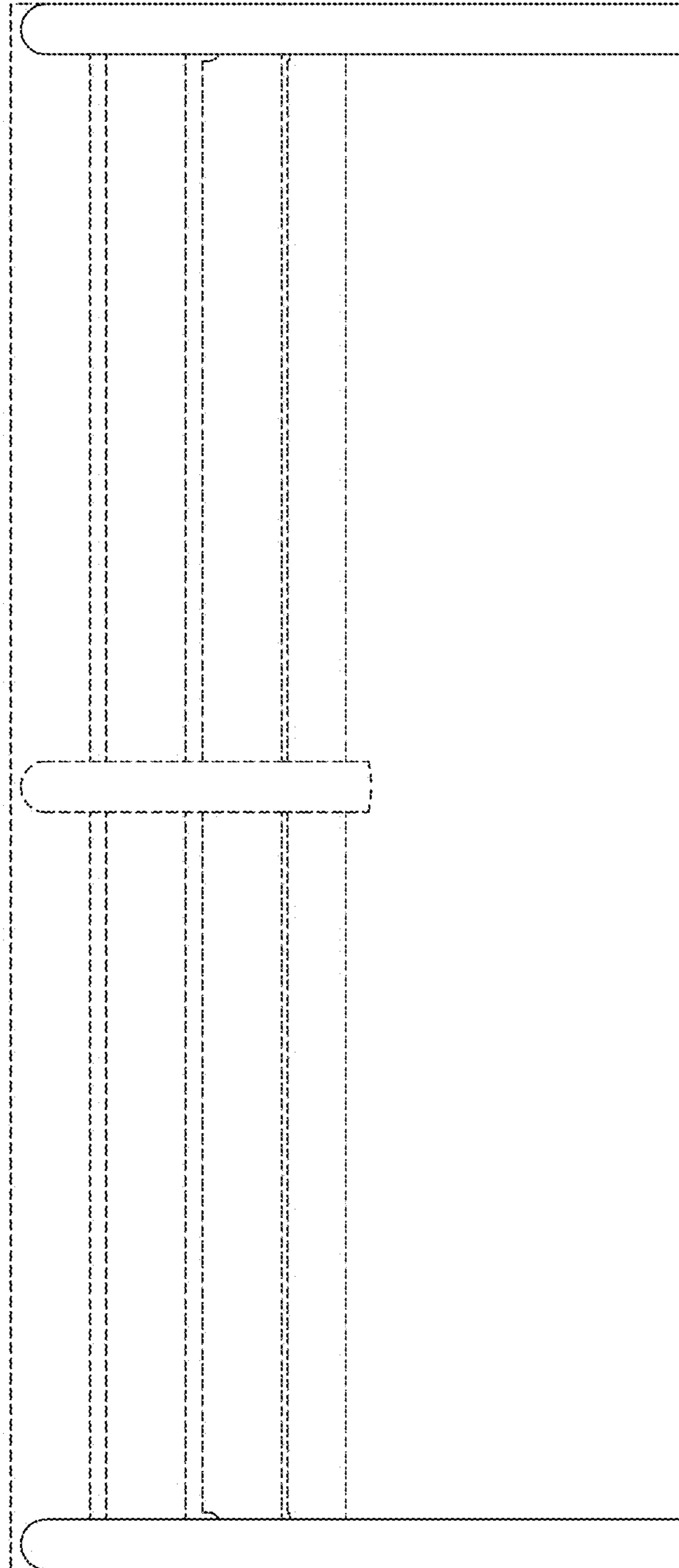


FIGURE 5