



US00D747893S

(12) **United States Design Patent**  
**Nikolajsen**

(10) **Patent No.:** **US D747,893 S**  
(45) **Date of Patent:** **\*\* Jan. 26, 2016**

(54) **SEATING ARRANGEMENT**

(71) Applicant: **Morten Nikolajsen**, Odense C (DK)

(72) Inventor: **Morten Nikolajsen**, Odense C (DK)

(73) Assignee: **Howe A/S**, Middelfart (DK)

(\*\*) Term: **14 Years**

(21) Appl. No.: **29/510,719**

(22) Filed: **Dec. 2, 2014**

**Related U.S. Application Data**

(62) Division of application No. 29/443,606, filed on Jan. 18, 2013, now Pat. No. Des. 721,236.

(30) **Foreign Application Priority Data**

Oct. 16, 2012 (EM) ..... 002119347-0003

Oct. 16, 2012 (EM) ..... 002119347-0004

(51) **LOC (10) Cl.** ..... **06-01**

(52) **U.S. Cl.**  
USPC ..... **D6/378**

(58) **Field of Classification Search**  
USPC ..... D6/334-336, 364, 371, 373, 374, 378,  
D6/381, 716, 716.1, 716.4  
CPC ..... A47C 7/18; A47C 7/24; A47C 15/002;  
A47C 3/16; A47C 5/125

See application file for complete search history.

(56) **References Cited**

U.S. PATENT DOCUMENTS

D261,954 S	*	11/1981	Aronowitz	.....	D6/364
D262,421 S	*	12/1981	Aronowitz	.....	D6/364
D646,499 S	*	10/2011	Metcalf	.....	D6/378
D671,333 S	*	11/2012	Metcalf	.....	D6/378
D727,650 S	*	4/2015	Lee	.....	D6/378

\* cited by examiner

*Primary Examiner* — Mimoso De

(74) *Attorney, Agent, or Firm* — Charles T. J. Weigell, Esq.;  
Fross, Zelnick, Lehrman & Zissu, P.C.

(57) **CLAIM**

The ornamental design for a seating arrangement, as shown and described.

**DESCRIPTION**

FIG. 1 is a perspective view of a seating arrangement showing my new design;

FIG. 2 is a front view thereof;

FIG. 3 is a back view thereof;

FIG. 4 is a right side view thereof;

FIG. 5 is a left side view thereof;

FIG. 6 is a top view thereof;

FIG. 7 is a bottom view thereof;

FIG. 8 is a perspective view of an alternative embodiment of the seating arrangement shown in FIG. 1;

FIG. 9 is a front view thereof;

FIG. 10 is a back view thereof;

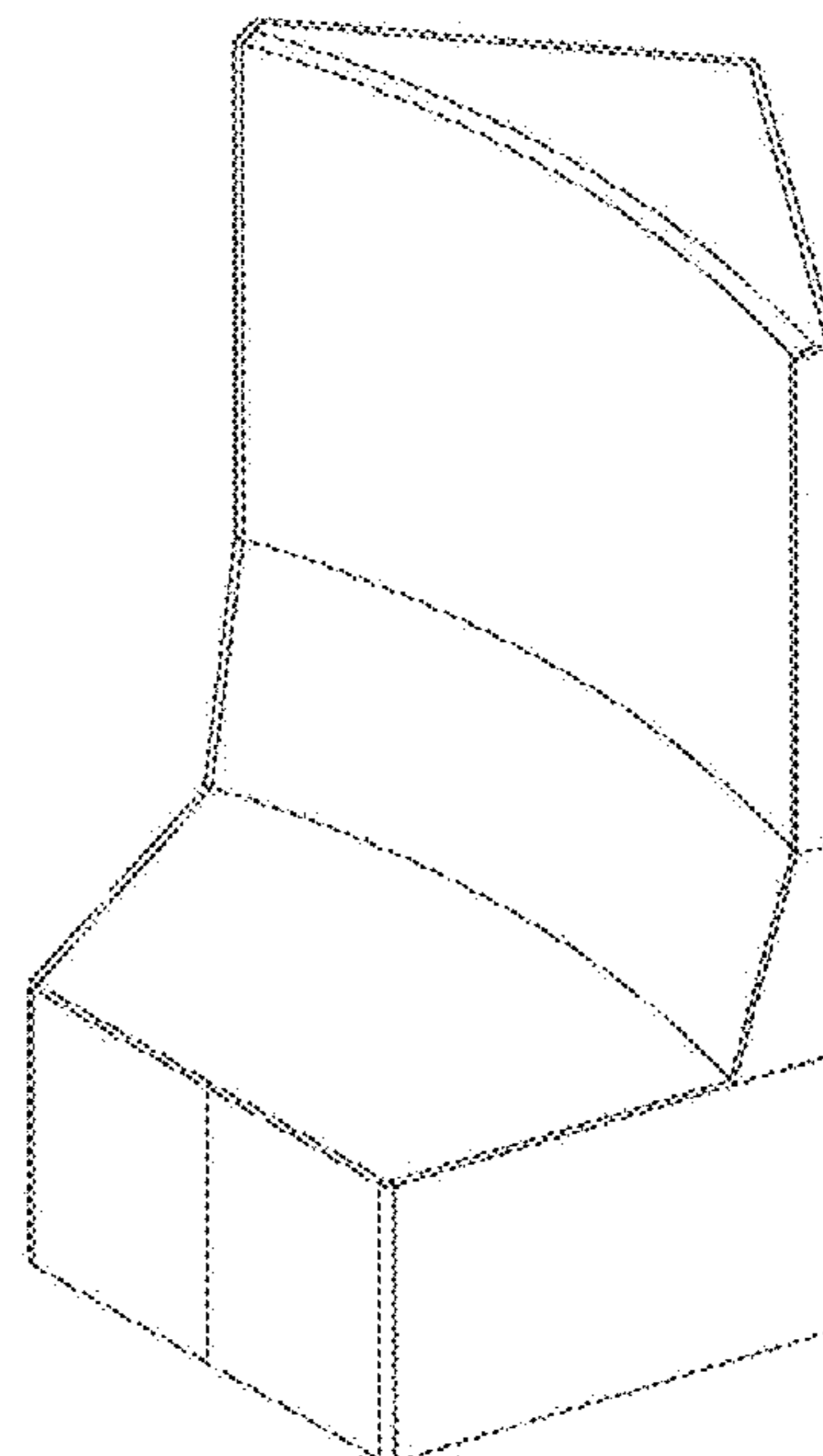
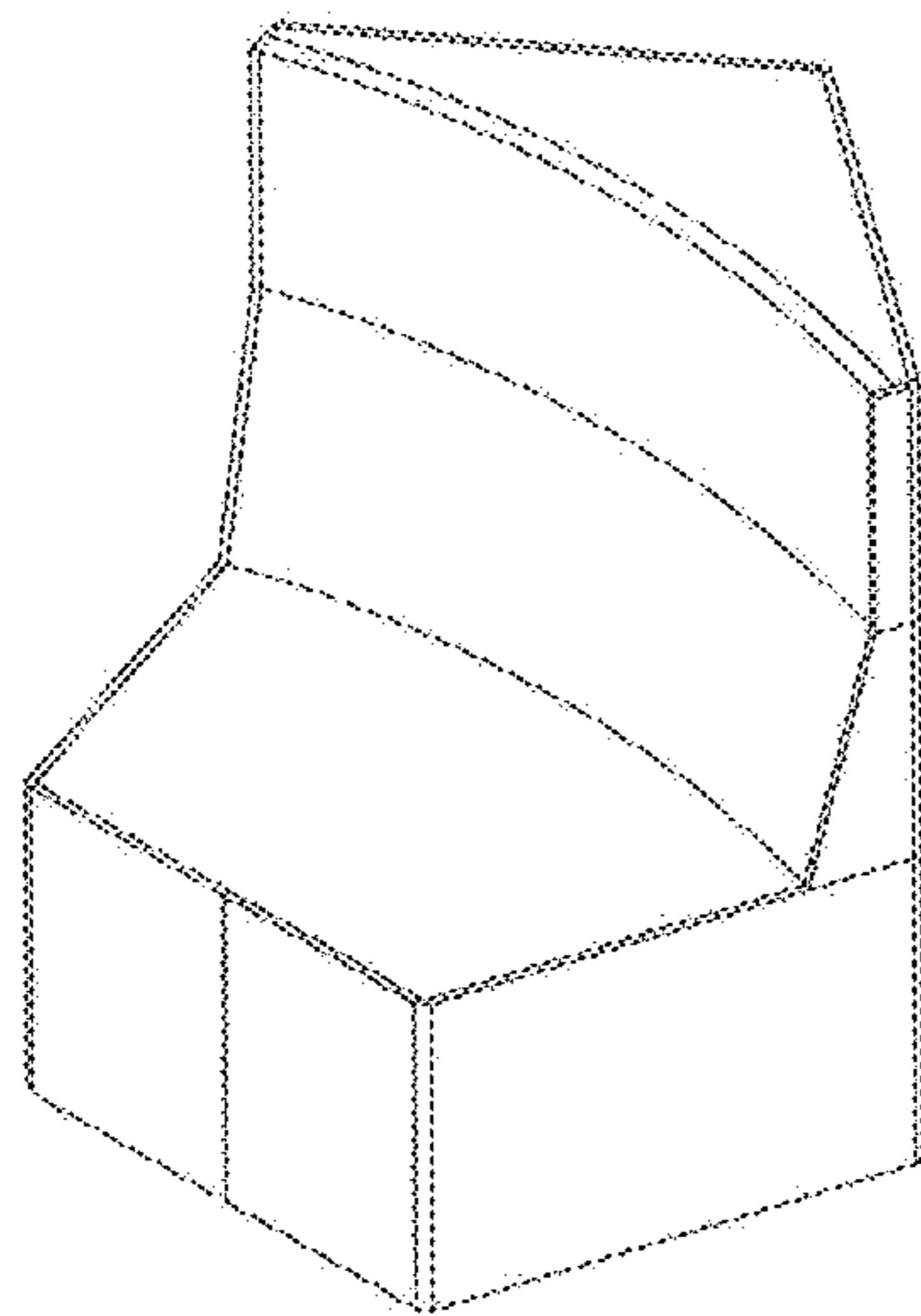
FIG. 11 is a right side view thereof;

FIG. 12 is a left side view thereof;

FIG. 13 is a top view thereof; and,

FIG. 14 is a bottom view thereof.

**1 Claim, 11 Drawing Sheets**



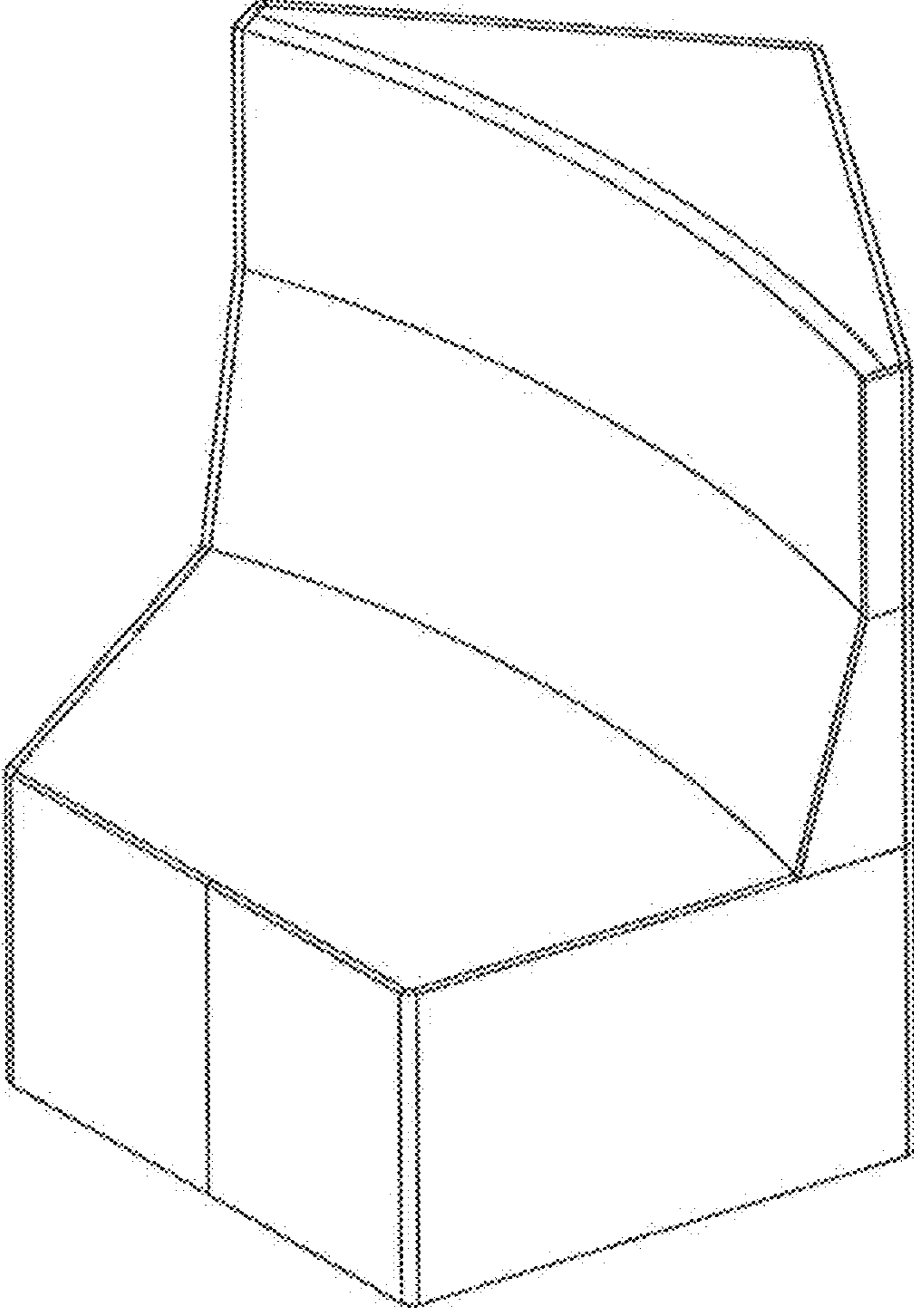


FIG. 1

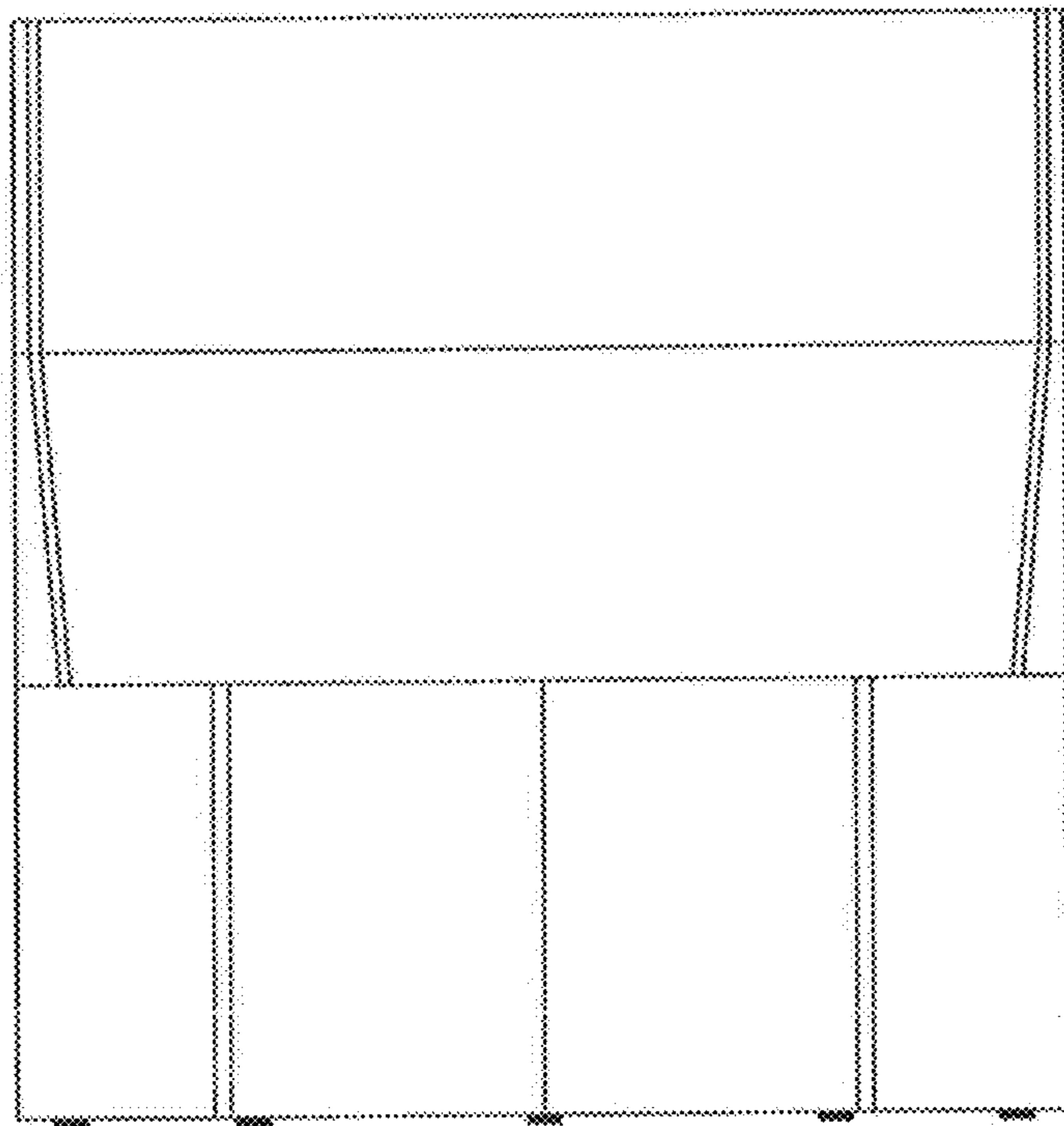


FIG. 2

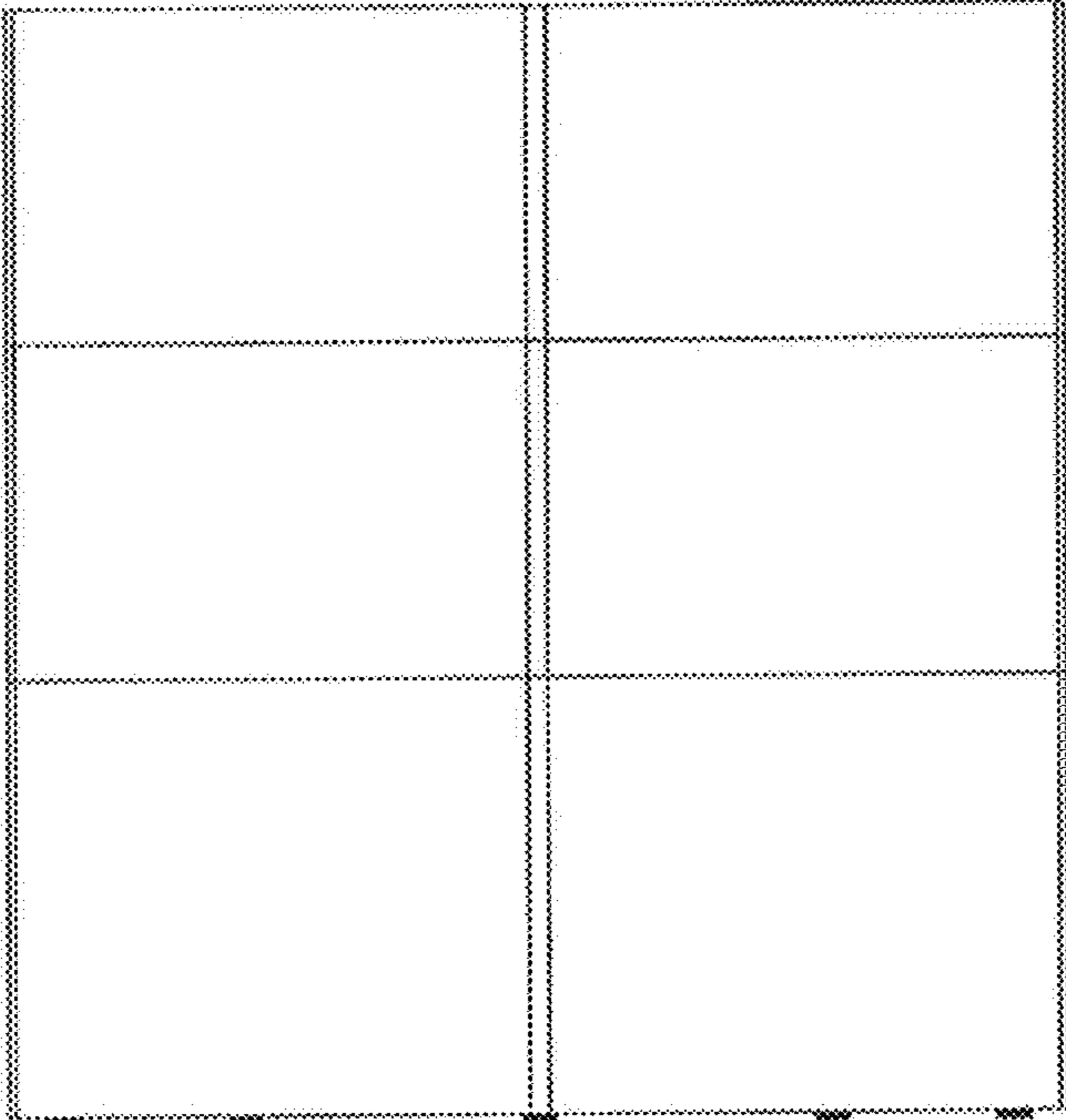


FIG. 3

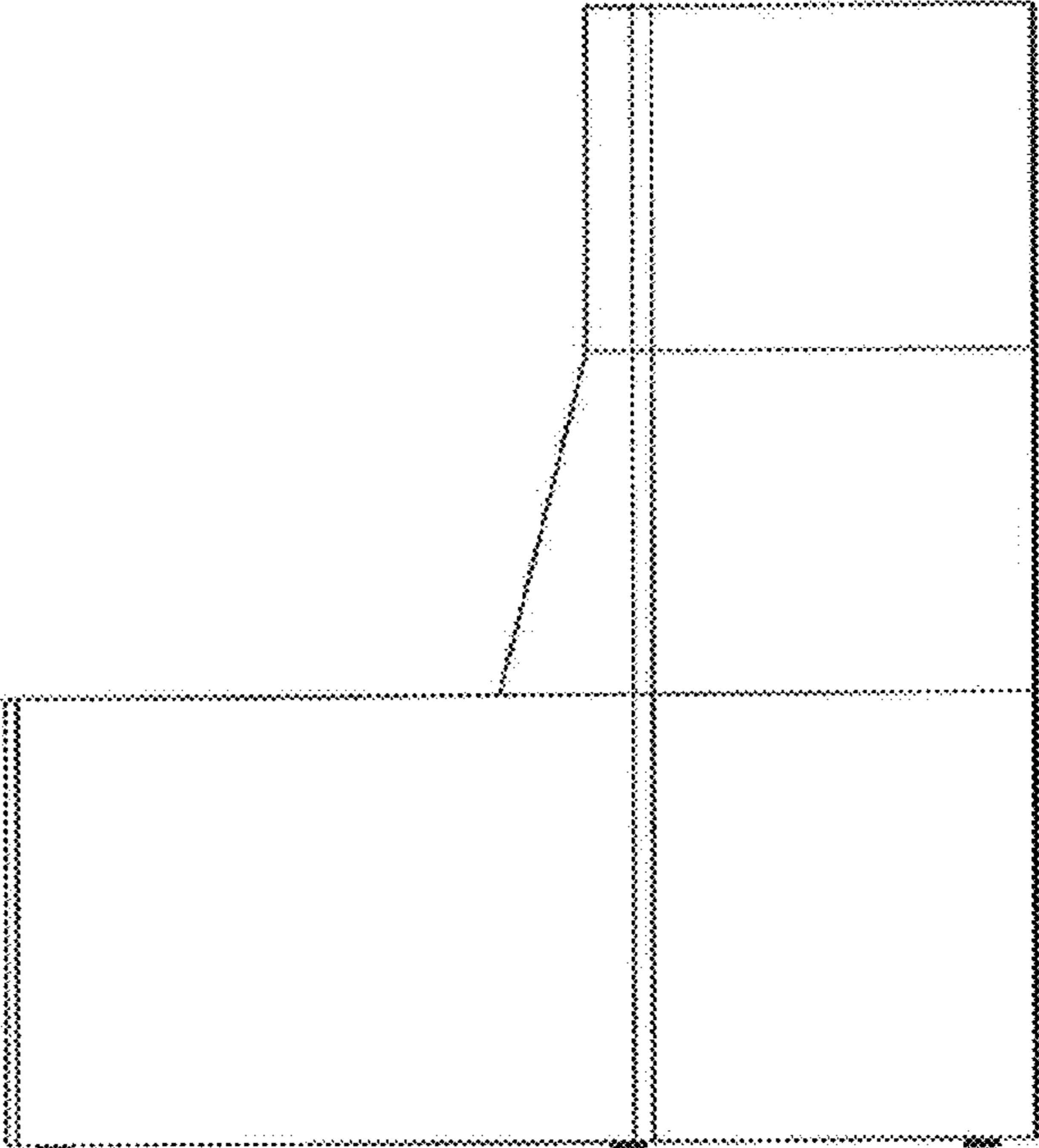


FIG. 4

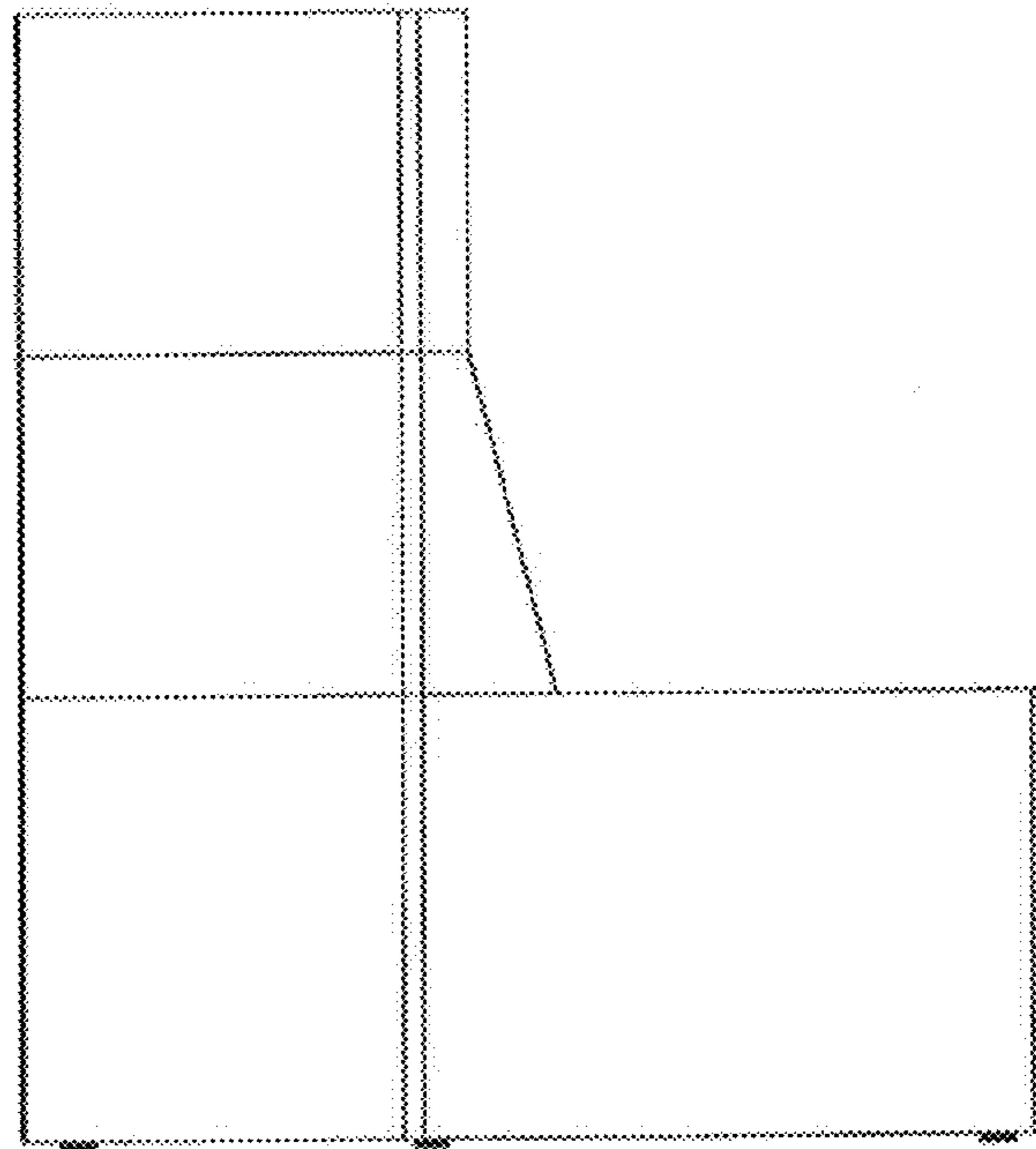


FIG. 5

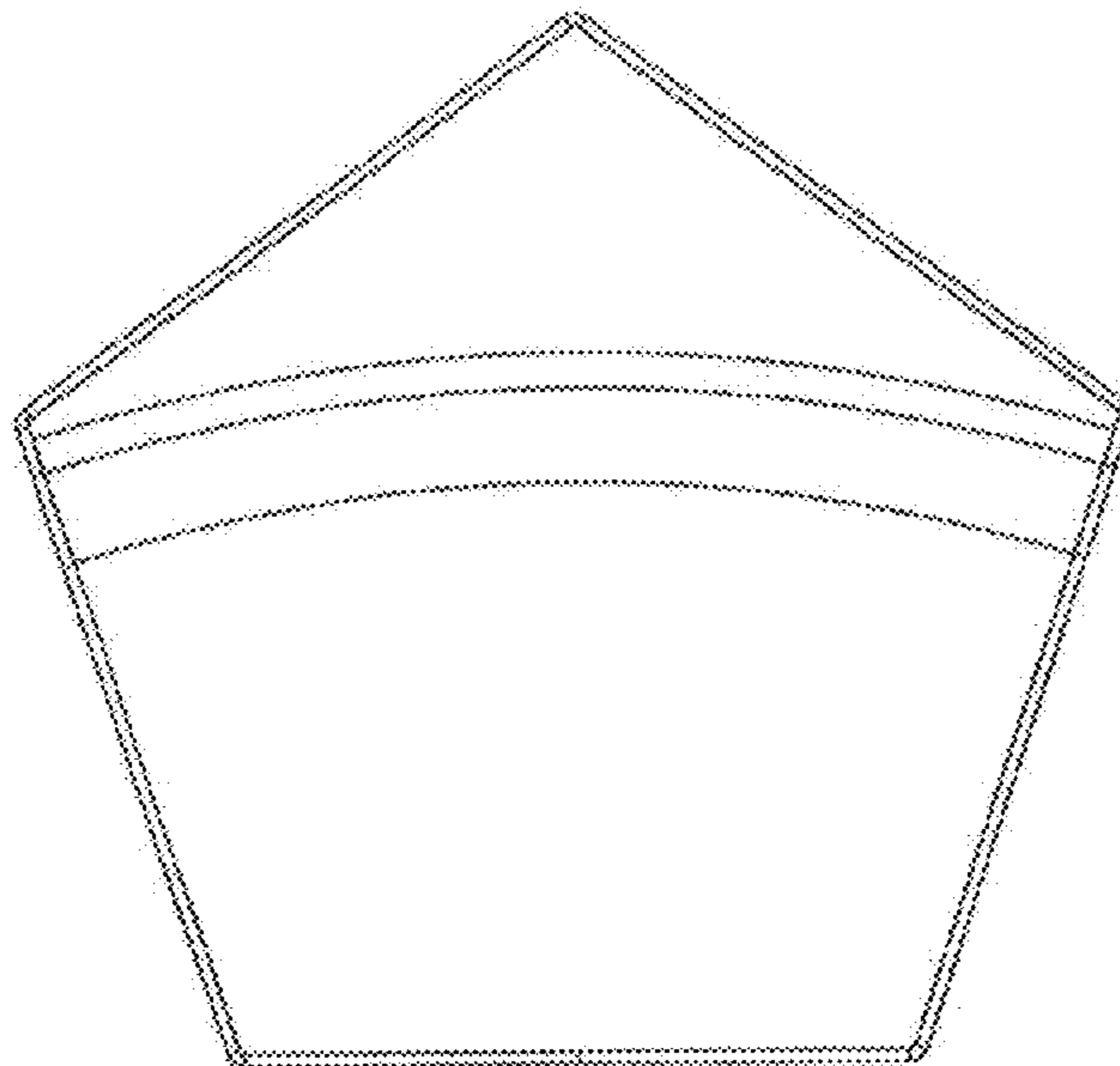


FIG. 6

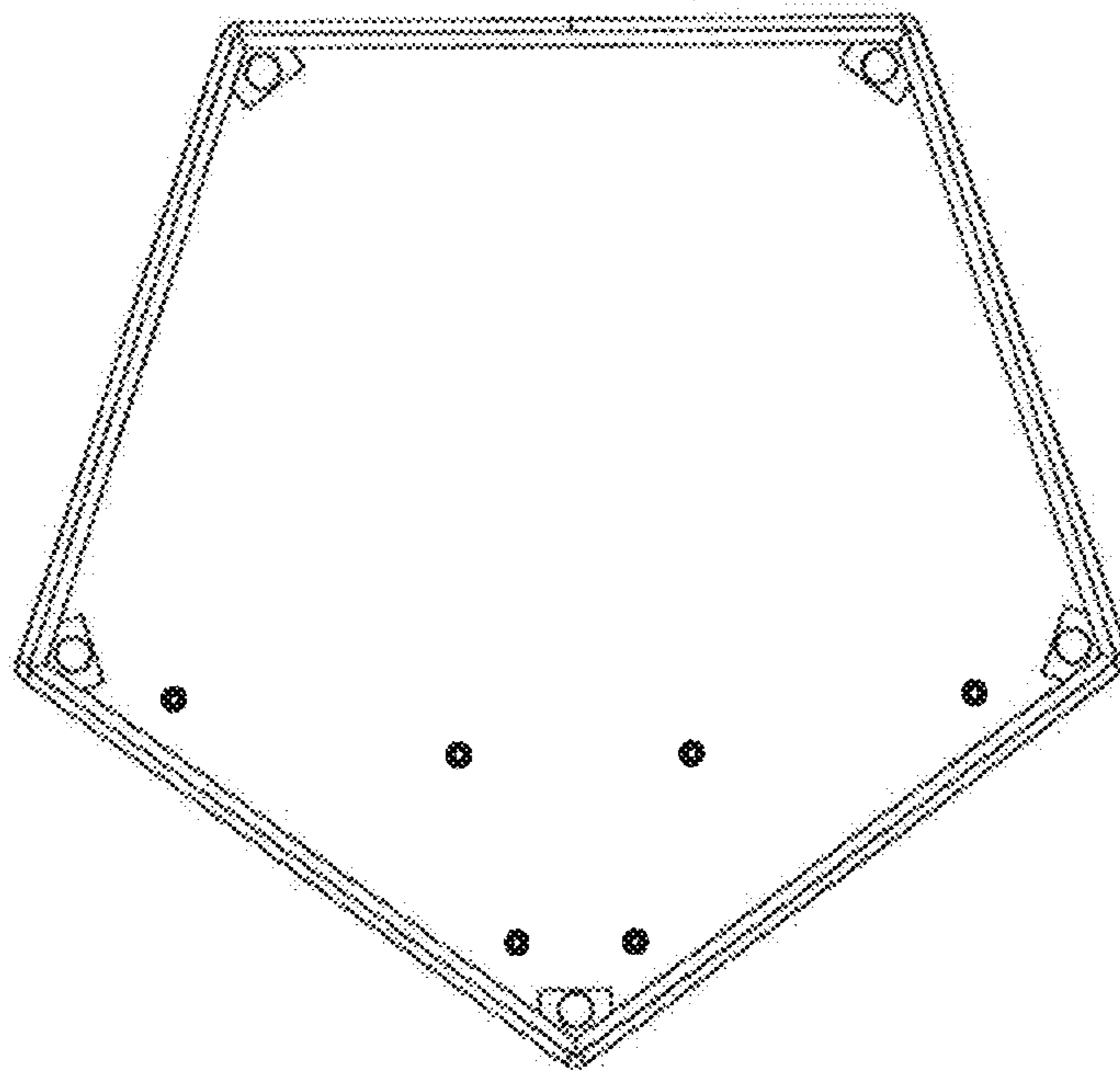


FIG. 7

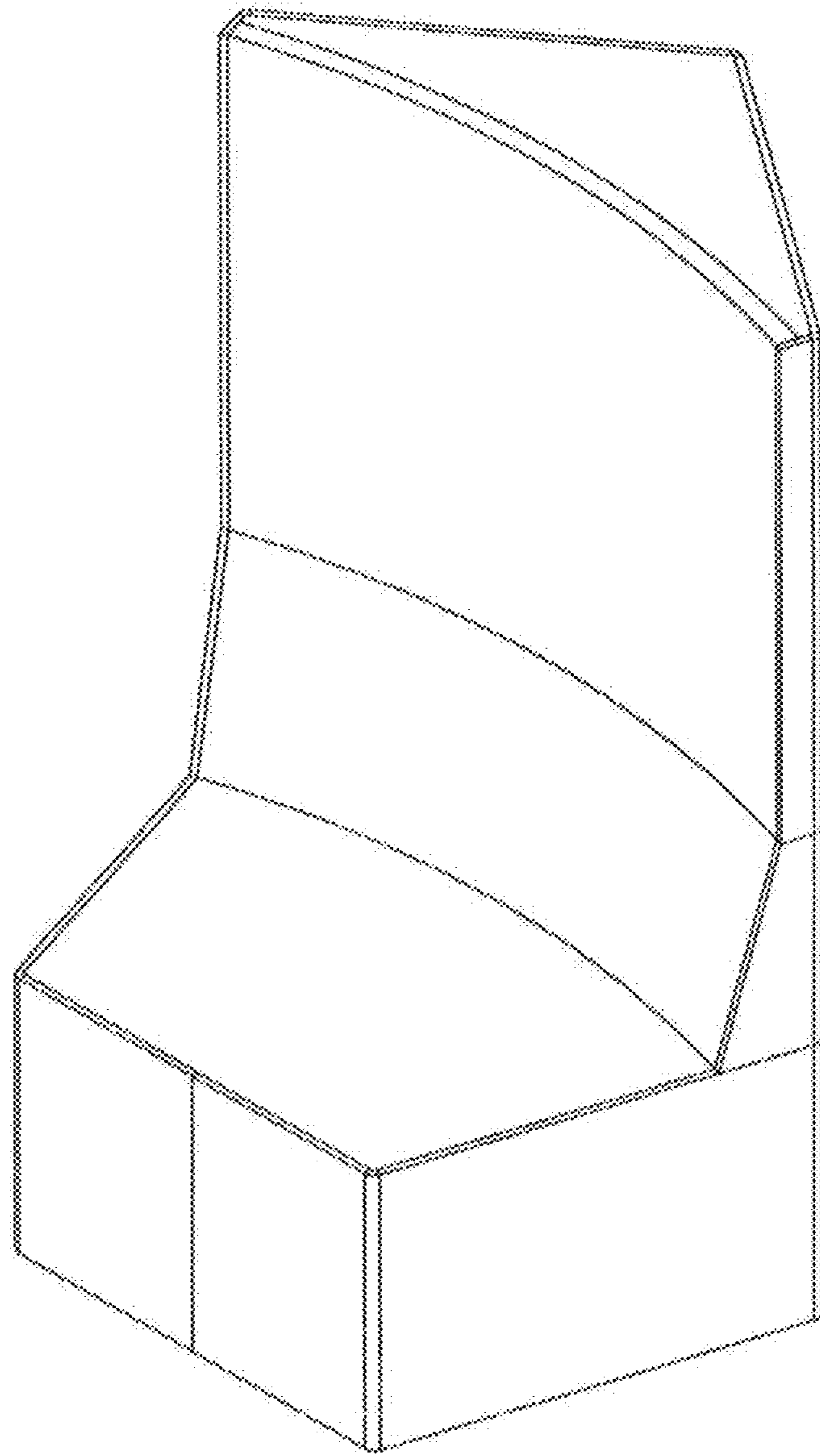


FIG. 8

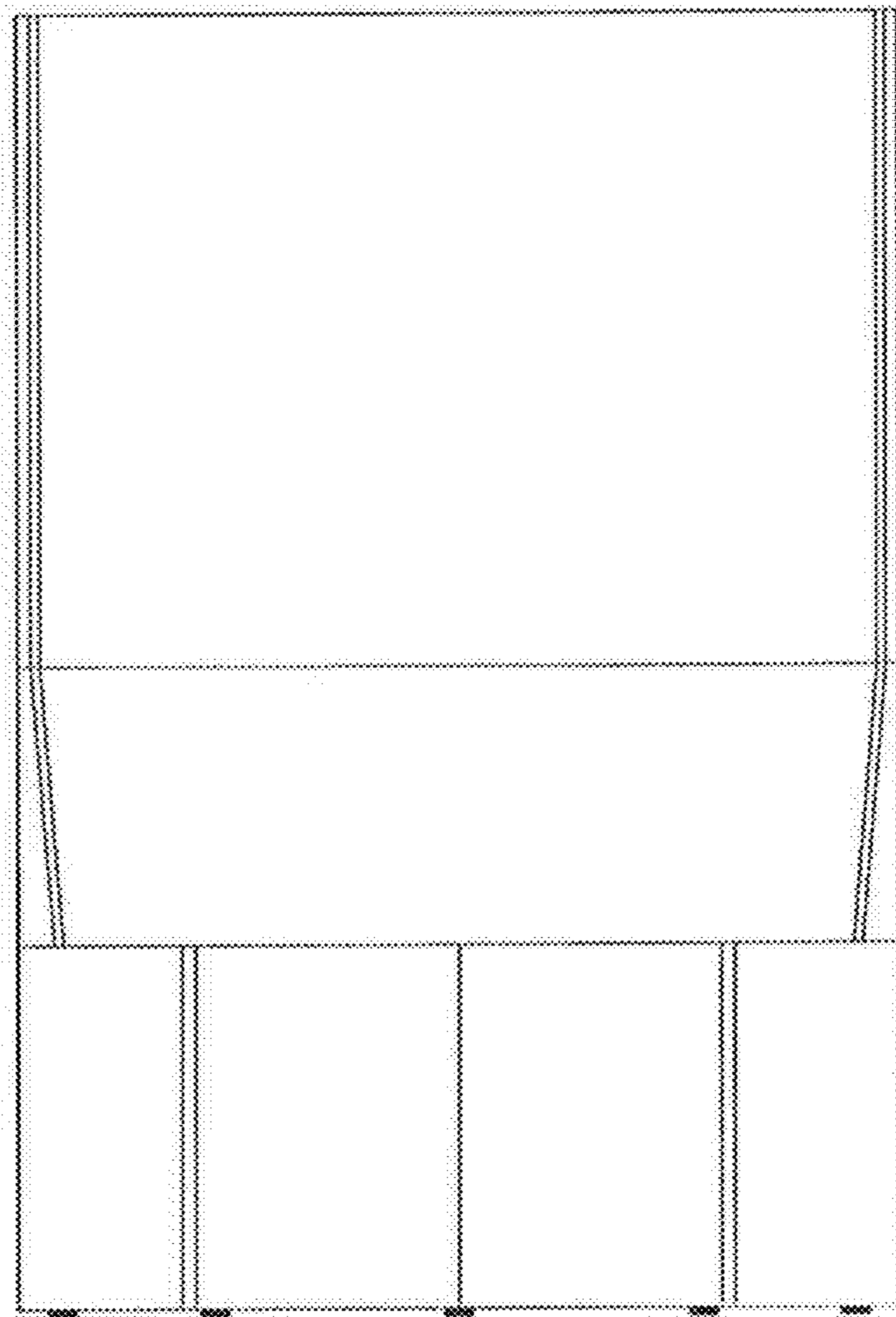


FIG. 9



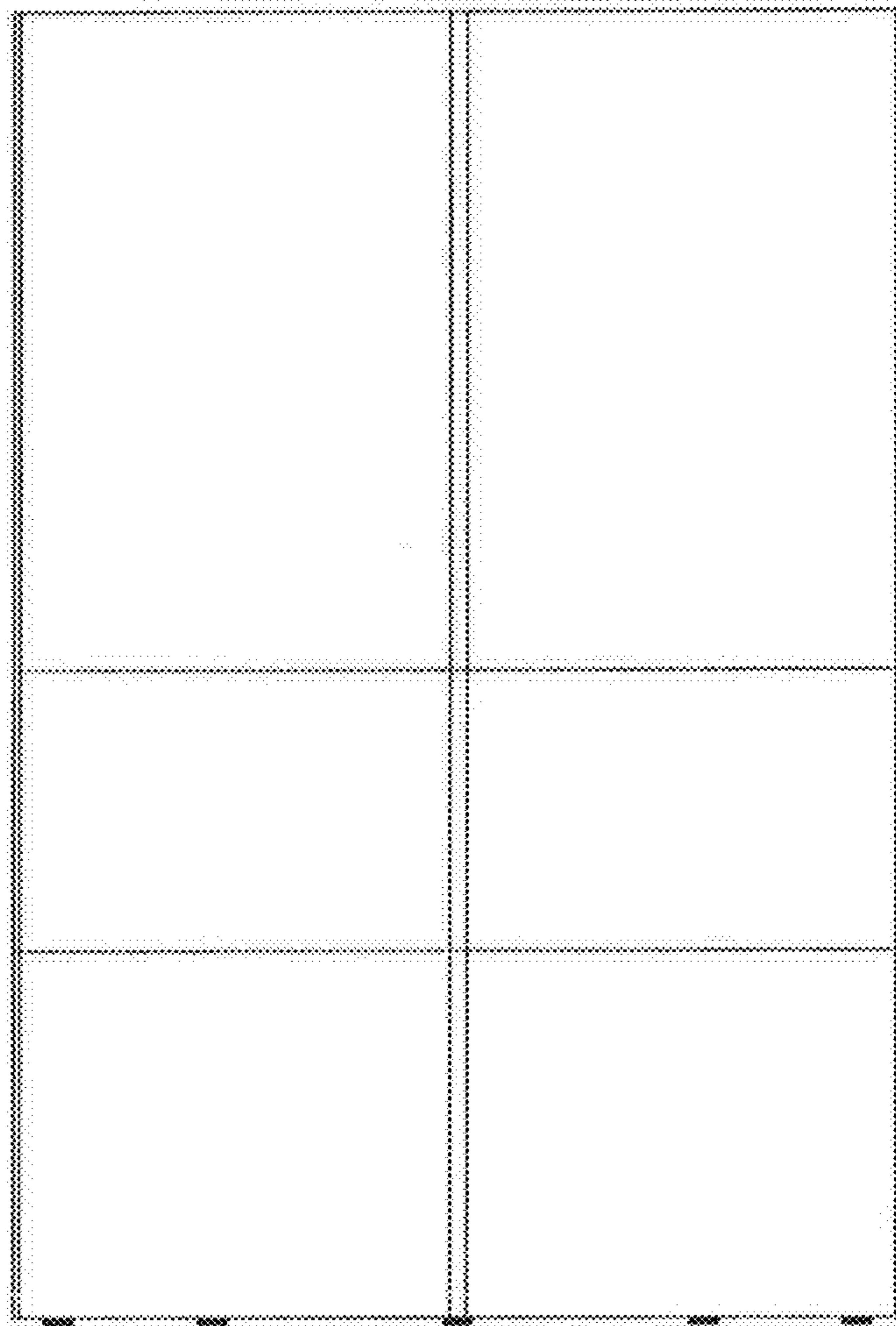


FIG. 10

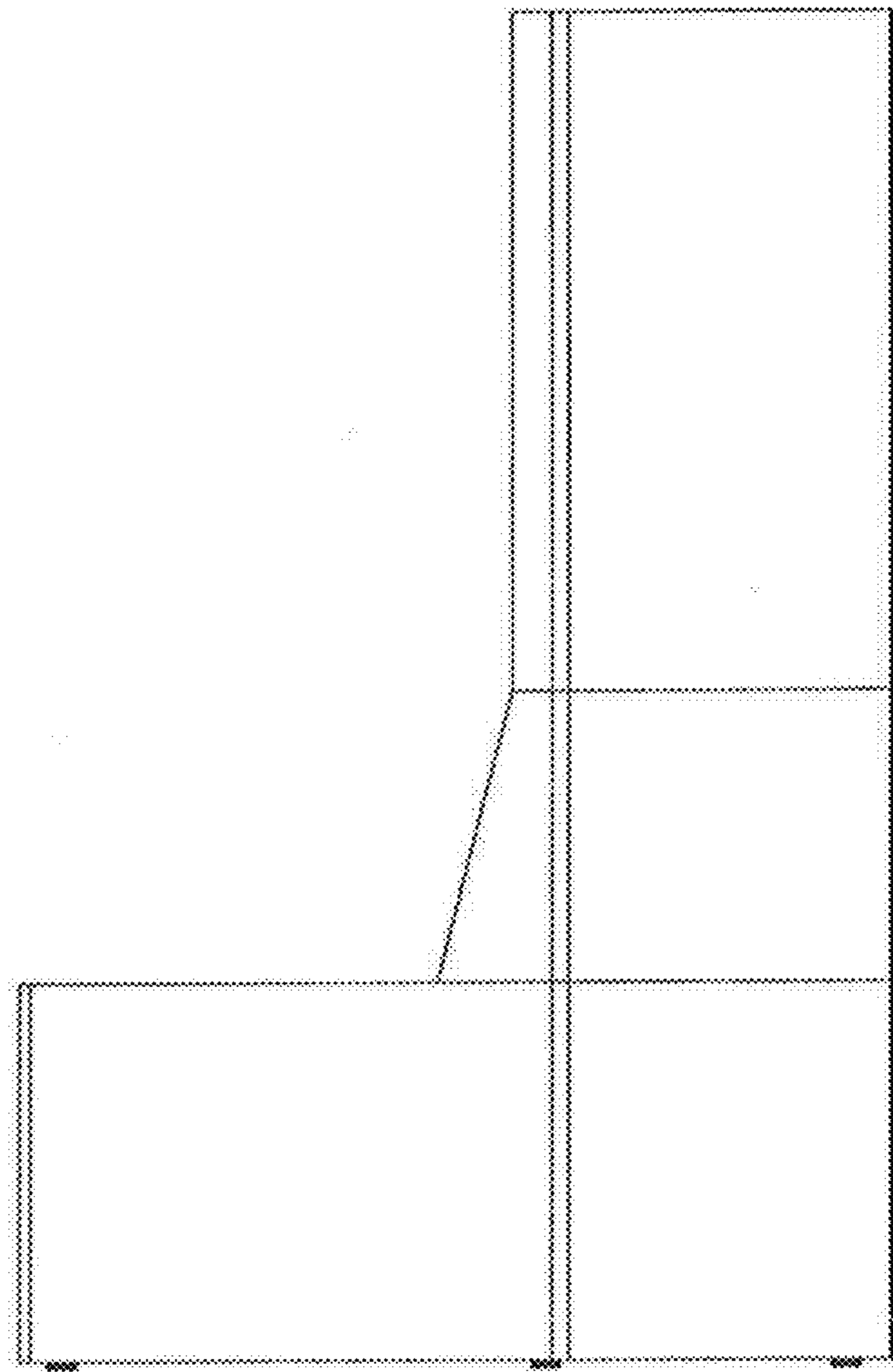


FIG. 11

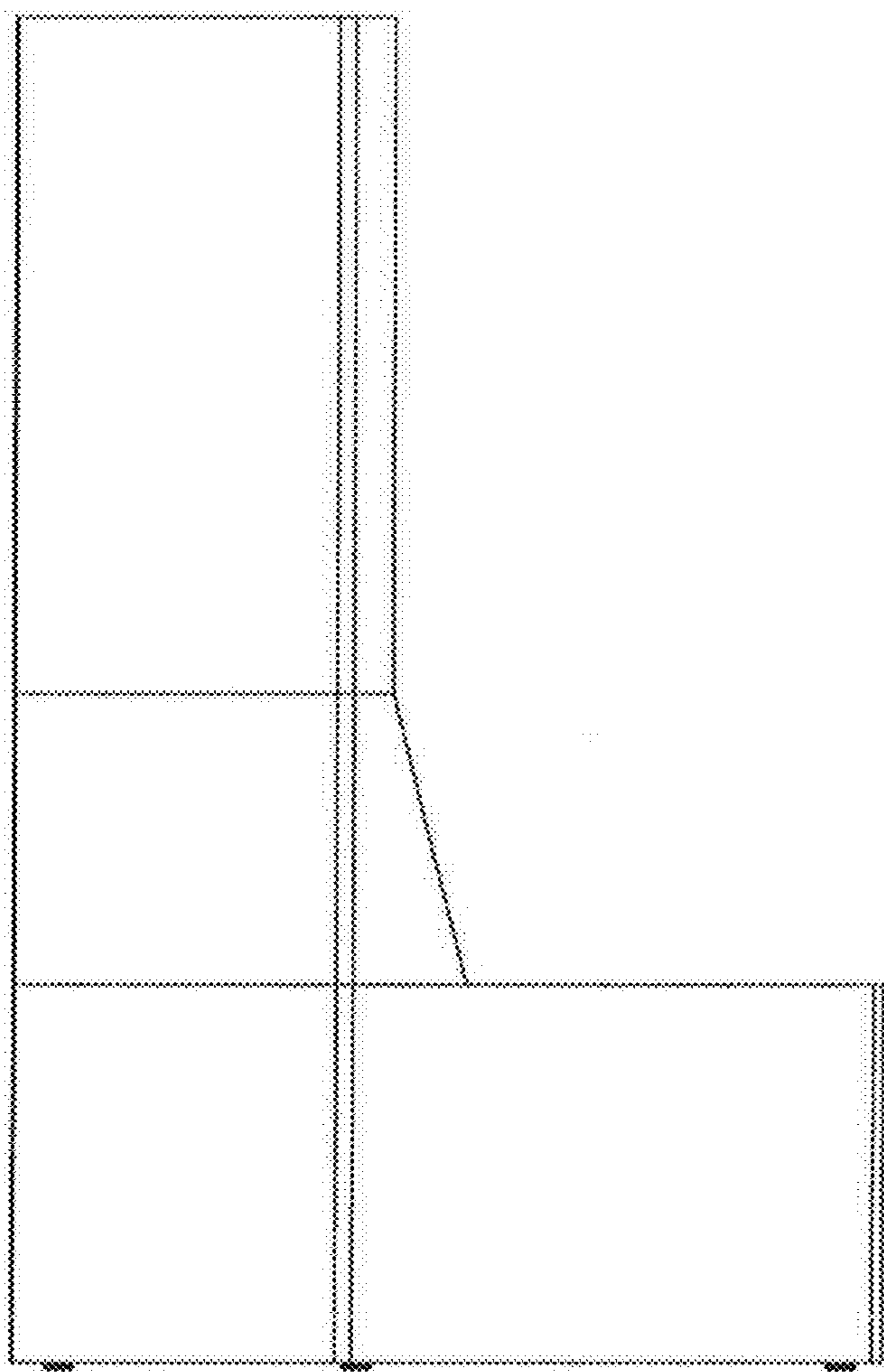


FIG. 12

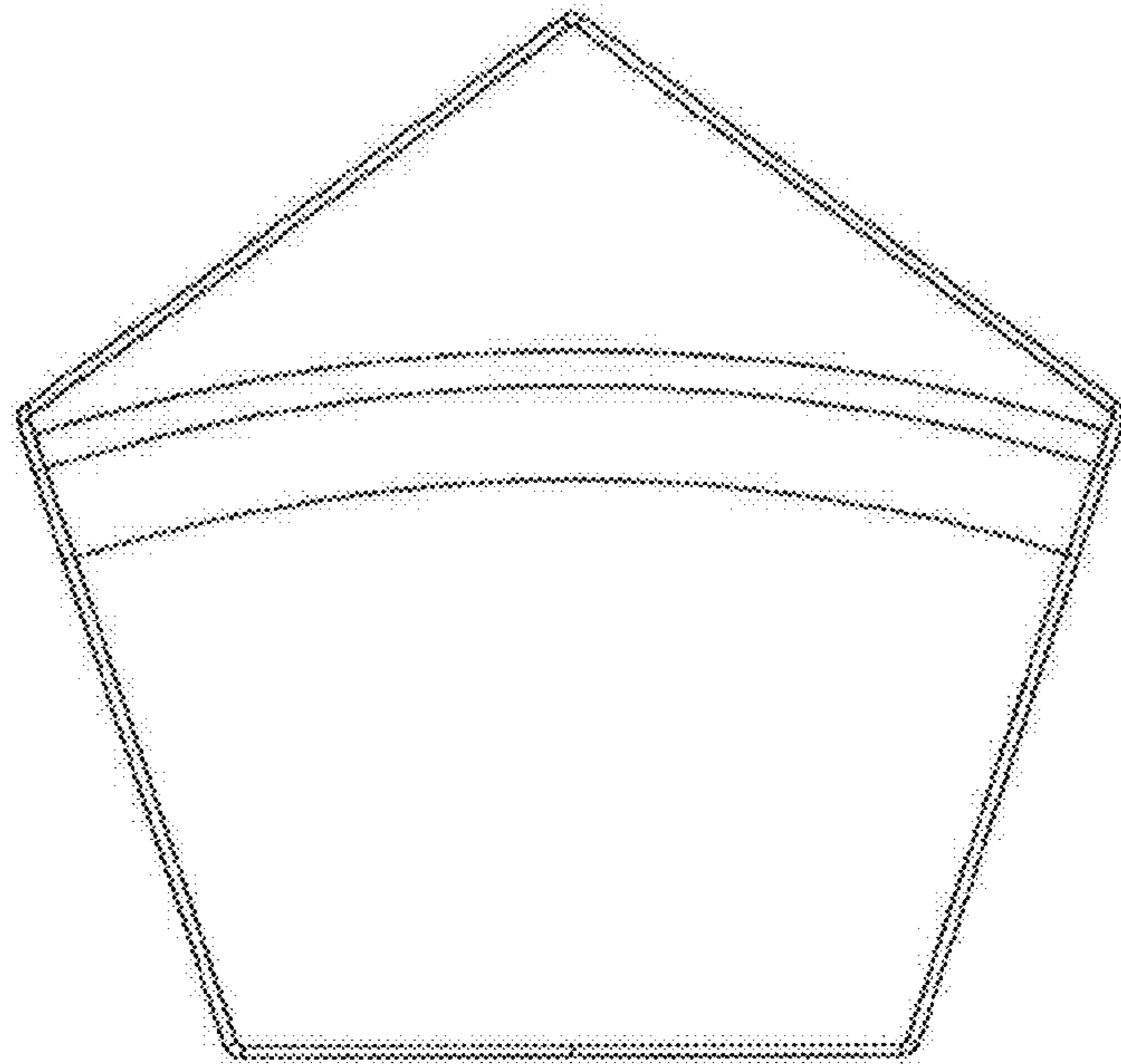


FIG. 13

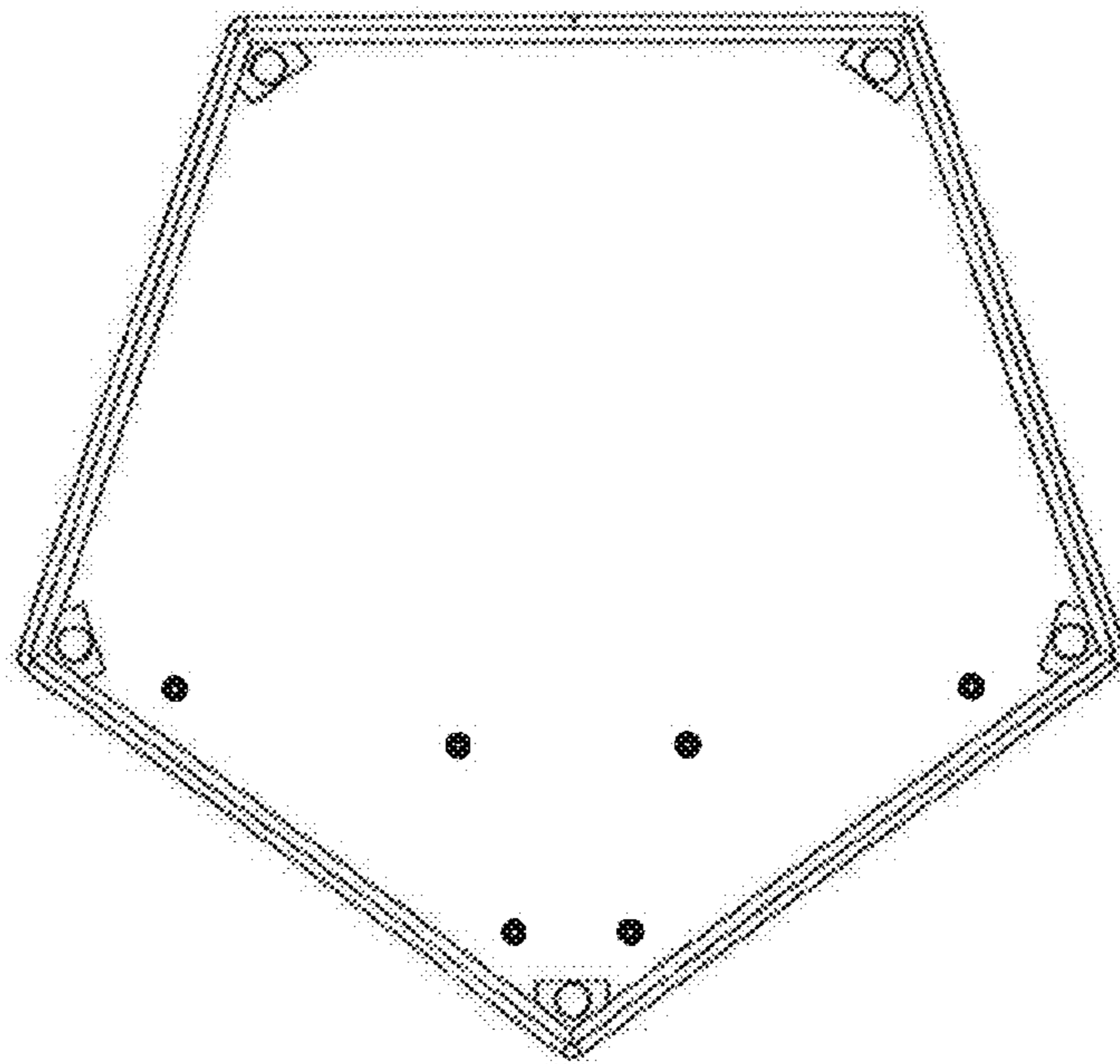


FIG. 14