



US00D747892S

(12) **United States Design Patent**
Bernett et al.

(10) **Patent No.:** **US D747,892 S**
(45) **Date of Patent:** **** Jan. 26, 2016**

(54) **CHAIR**

(71) Applicant: **Teknion Limited**, Toronto (CA)

(72) Inventors: **Jeffrey Bennett**, New York, NY (US);
Nicholas Dodziuk, New York, NY (US)

(73) Assignee: **TEKNION LIMITED**, Toronto (CA)

(**) Term: **14 Years**

(21) Appl. No.: **29/503,076**

(22) Filed: **Sep. 23, 2014**

(51) **LOC (10) Cl.** **06-01**

(52) **U.S. Cl.**
USPC **D6/363**

(58) **Field of Classification Search**
USPC D6/334-336, 363, 364, 370, 374, 379,
D6/380, 716, 716.1, 716.2, 716.3, 716.4
CPC A47C 3/12; A47C 4/028; A47C 7/16;
A47C 7/18; A47C 7/24; B60N 2/70
See application file for complete search history.

(56) **References Cited**

U.S. PATENT DOCUMENTS

D149,197 S *	4/1948	Lux	D6/363
2,649,146 A *	8/1953	Sanford	A47C 3/12 297/411.41
D173,702 S *	12/1954	Kaufman	D6/380
D225,599 S *	12/1972	Hutchinson	D6/363
D336,165 S *	6/1993	Tihany	D6/334
D393,956 S *	5/1998	Kane	D6/334

D433,835 S *	11/2000	Hutton	D6/370
D508,786 S *	8/2005	Natuzzi	D6/364
D560,379 S *	1/2008	Fancelli	D6/364
D690,953 S *	10/2013	Alken	D6/380
D706,053 S *	6/2014	Schwamkrug	D6/374

* cited by examiner

Primary Examiner — Mimoso De

(74) *Attorney, Agent, or Firm* — Bereskin & Parr
LLP/S.E.N.C.R.L., s.r.l.

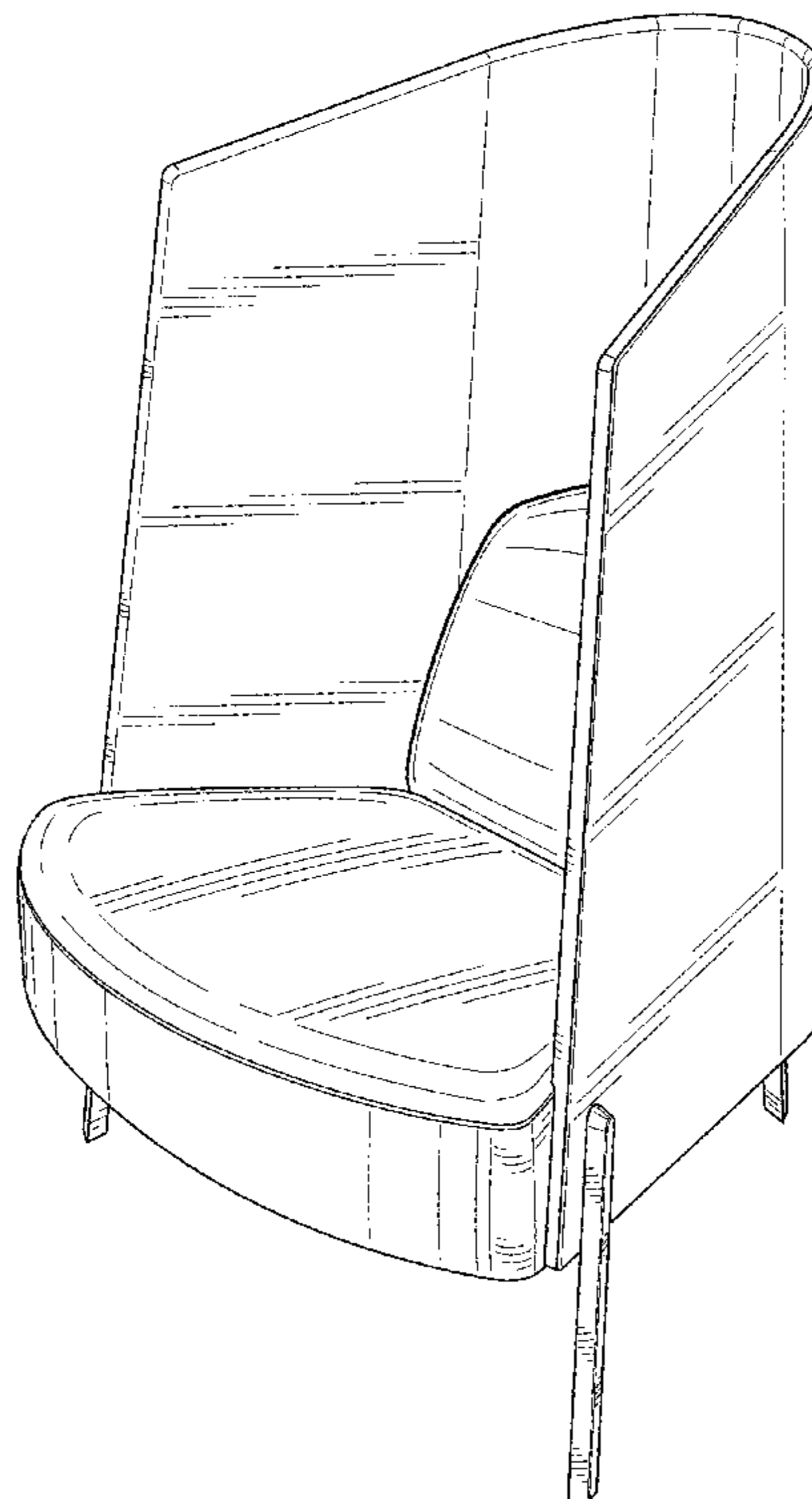
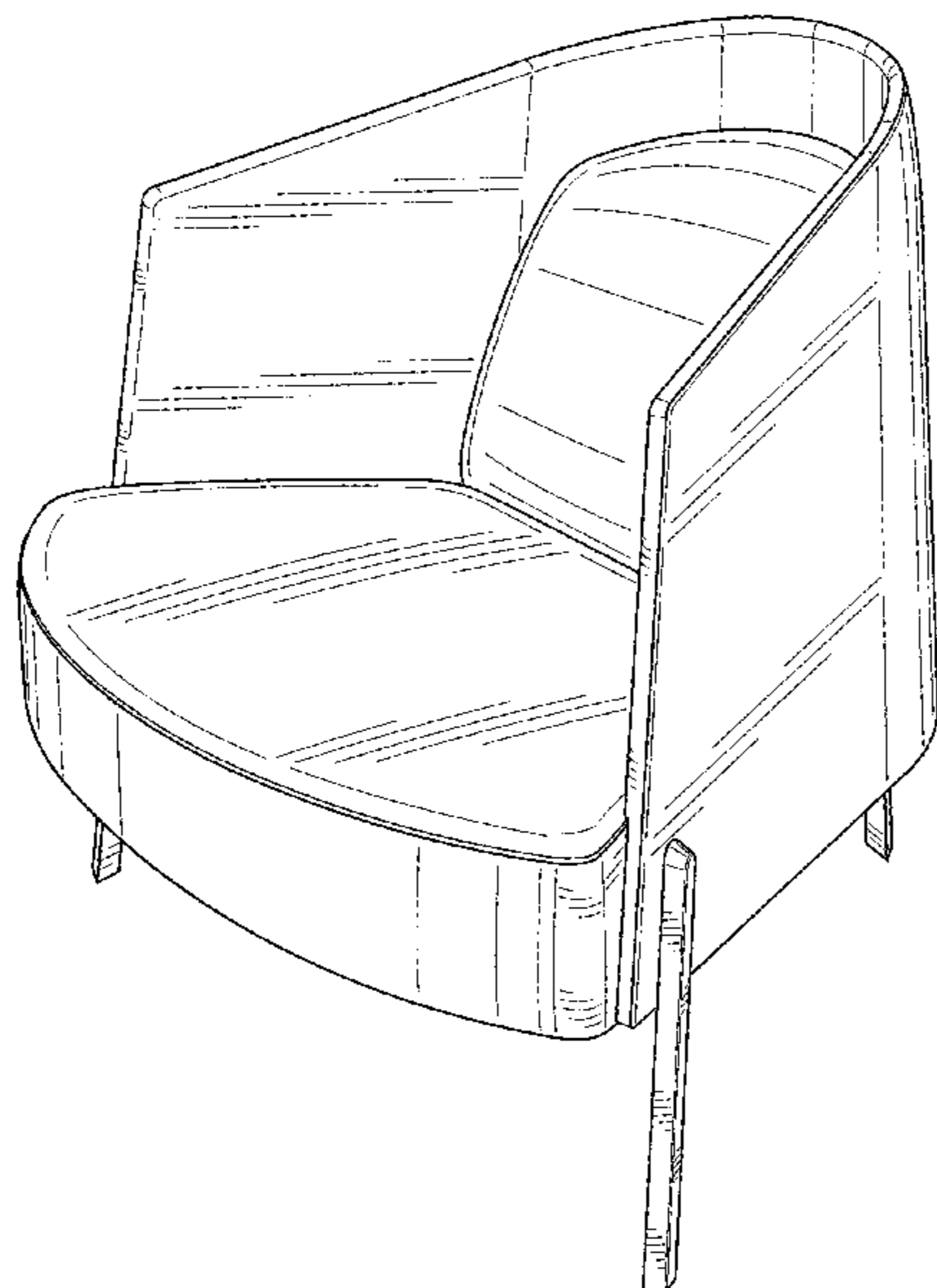
(57) **CLAIM**

We claim the ornamental design for a chair, as shown and described.

DESCRIPTION

FIG. 1 is a top perspective view of a chair in accordance with a first preferred embodiment of the design; FIG. 2 is a bottom perspective view thereof; FIG. 3 is left side elevational view thereof; FIG. 4 a front elevational view thereof; FIG. 5 is right side elevational view thereof; FIG. 6 is a rear elevational view thereof; FIG. 7 is a top plan view thereof; FIG. 8 is a bottom plan view thereof; FIG. 9 is a top perspective view of a chair in accordance with a second preferred embodiment of the design; FIG. 10 is a bottom perspective view thereof; FIG. 11 is left side elevational view thereof; FIG. 12 a front elevational view thereof; FIG. 13 is right side elevational view thereof; FIG. 14 is a rear elevational view thereof; FIG. 15 is a top plan view thereof; and, FIG. 16 is a bottom plan view thereof.

1 Claim, 16 Drawing Sheets



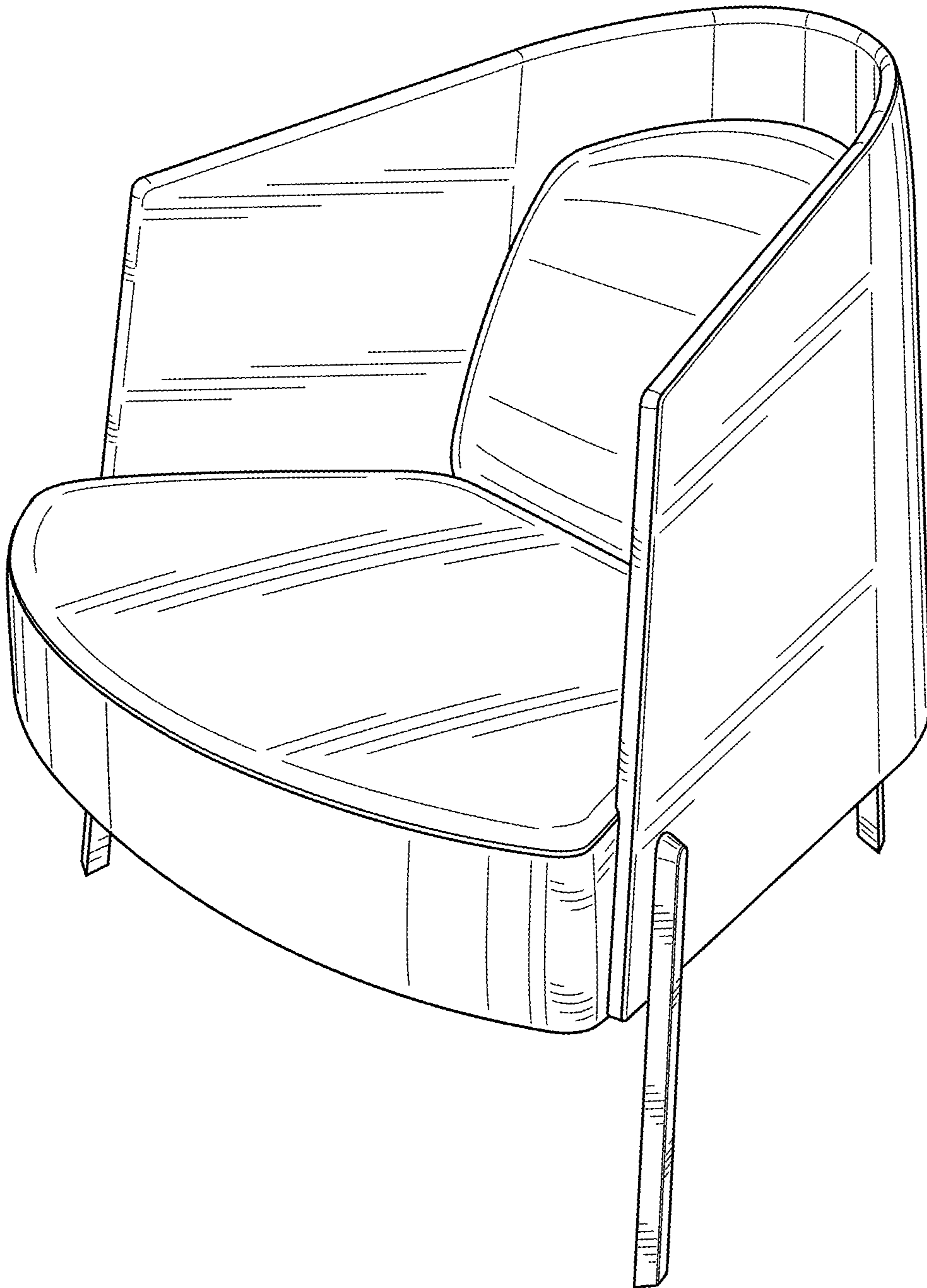


FIG. 1

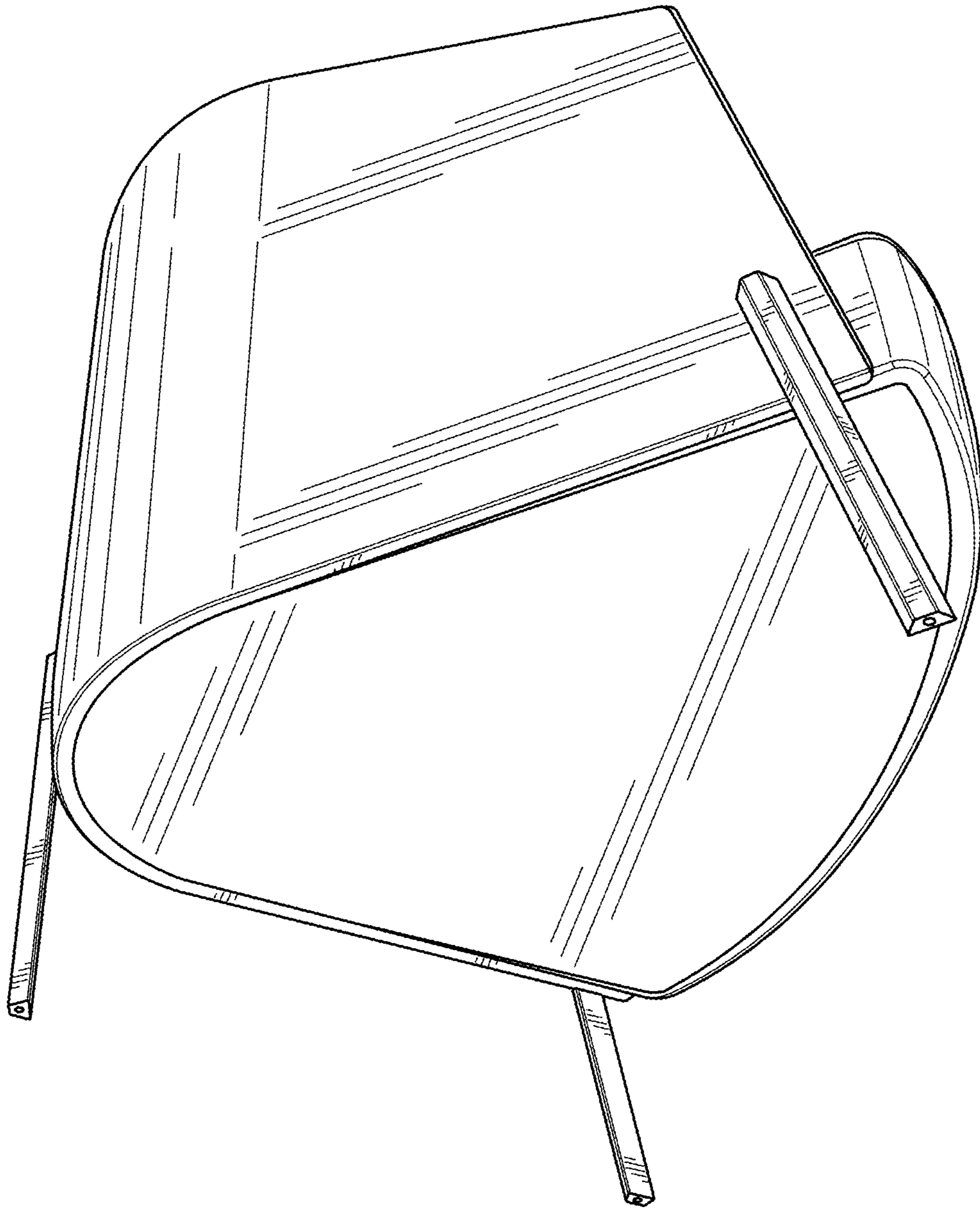


FIG. 2

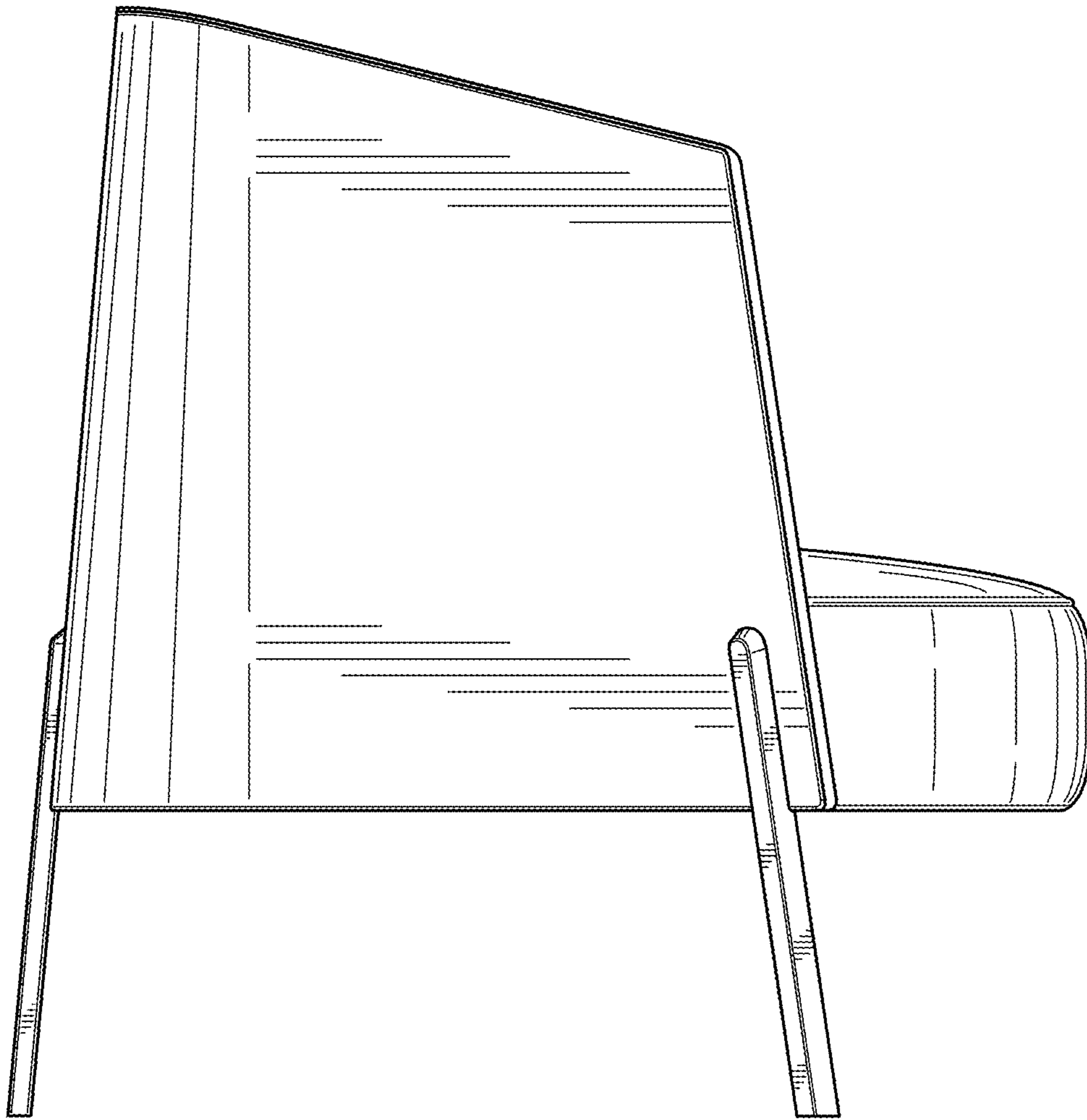


FIG. 3

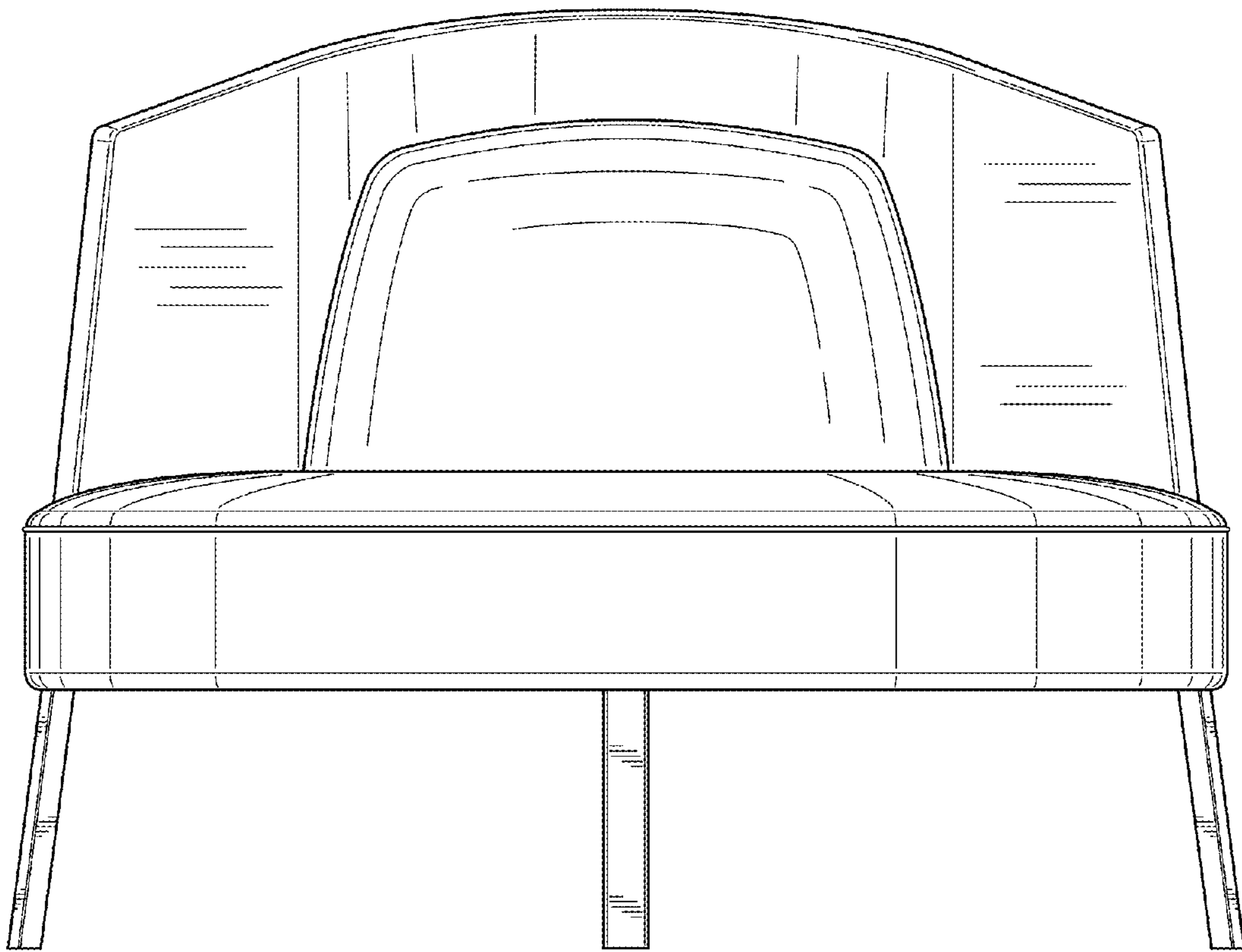


FIG. 4

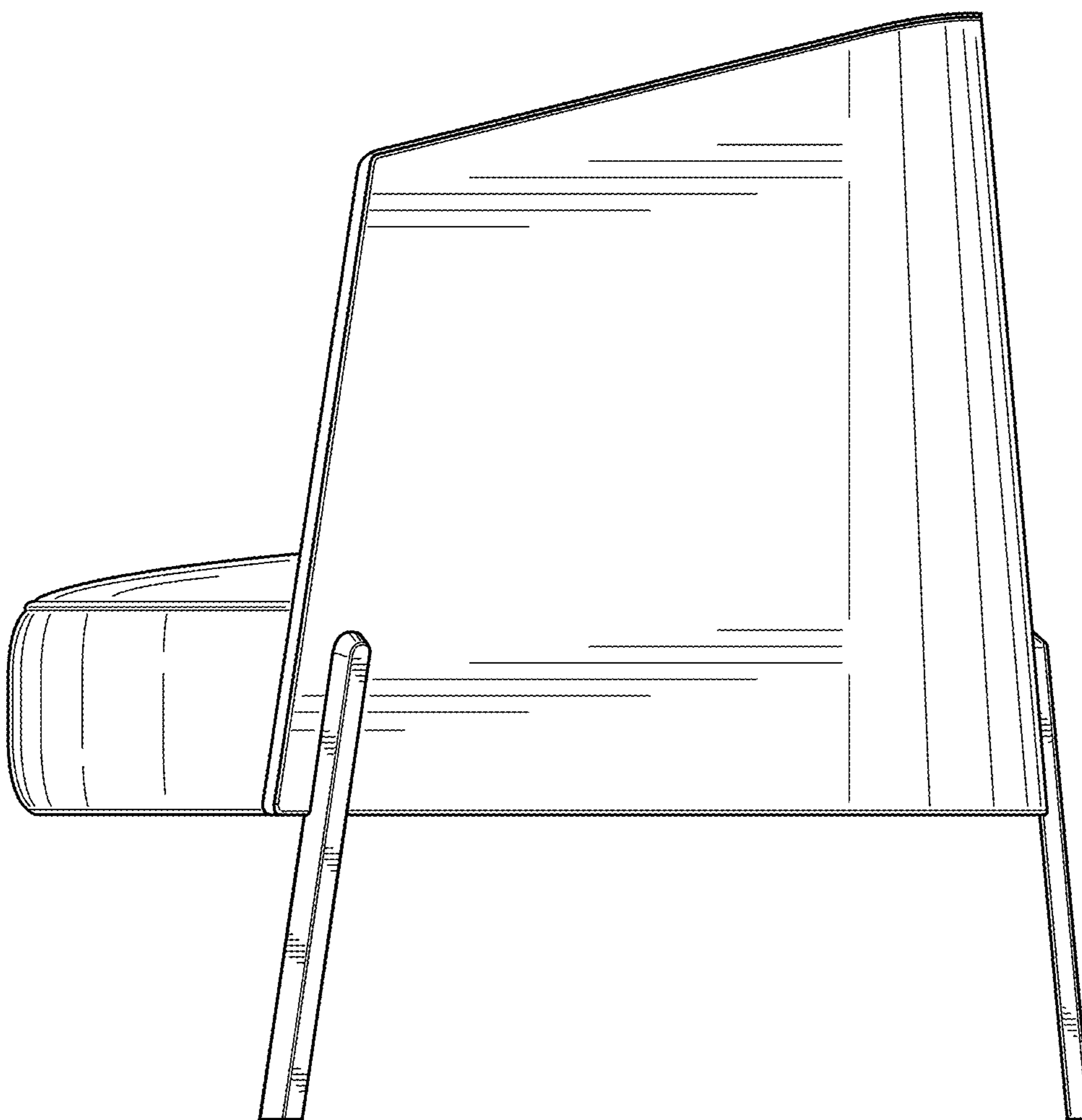


FIG. 5

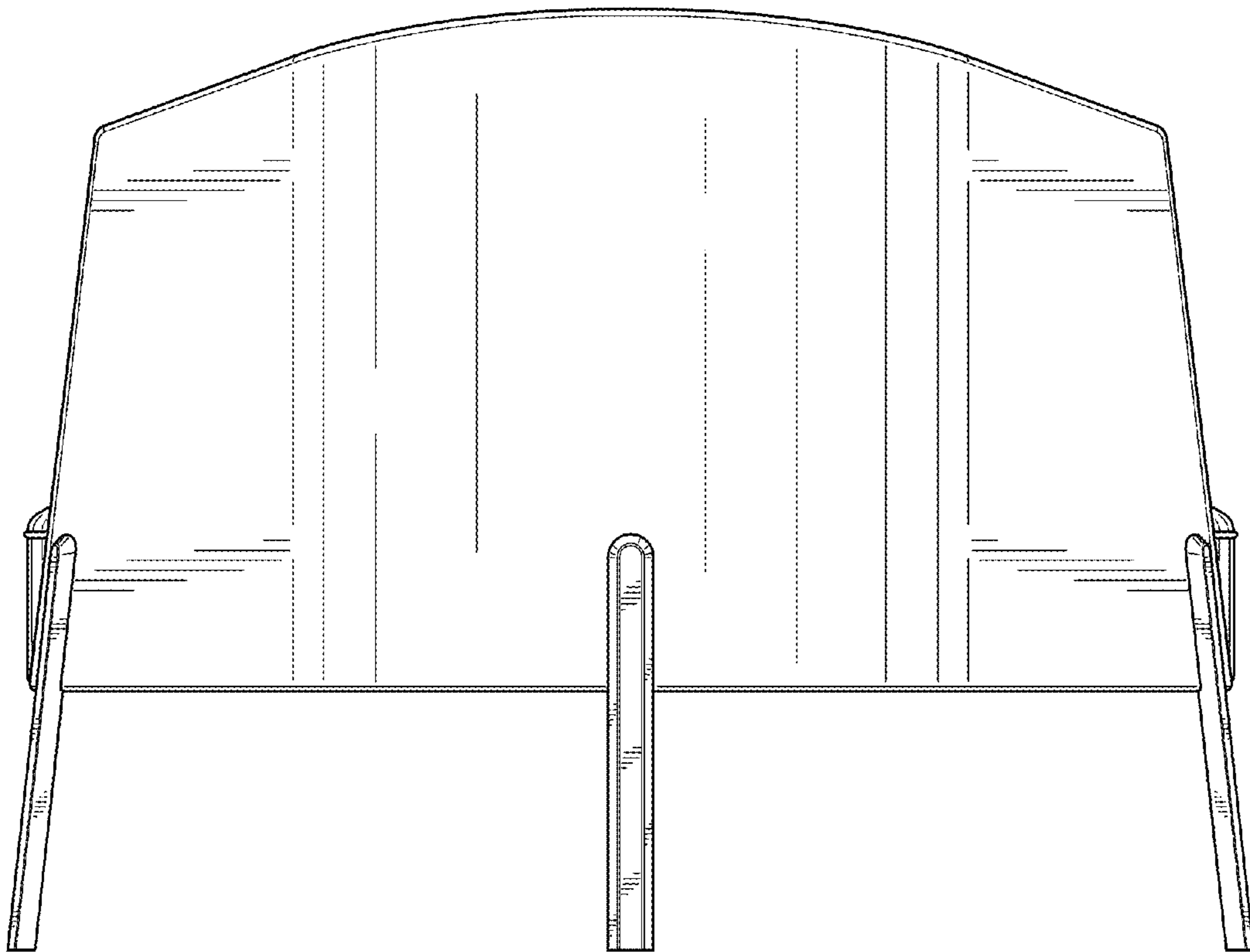


FIG. 6

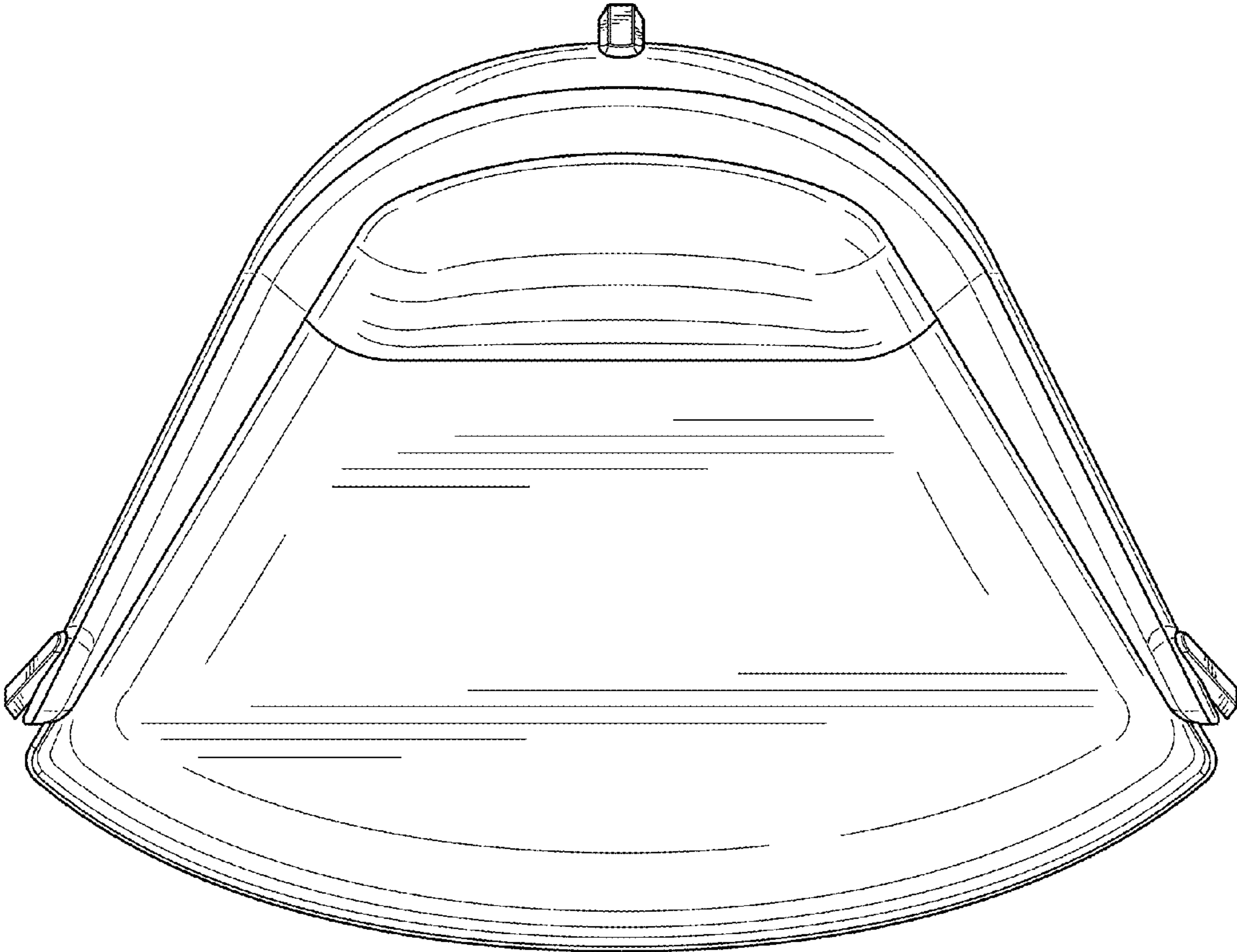


FIG. 7

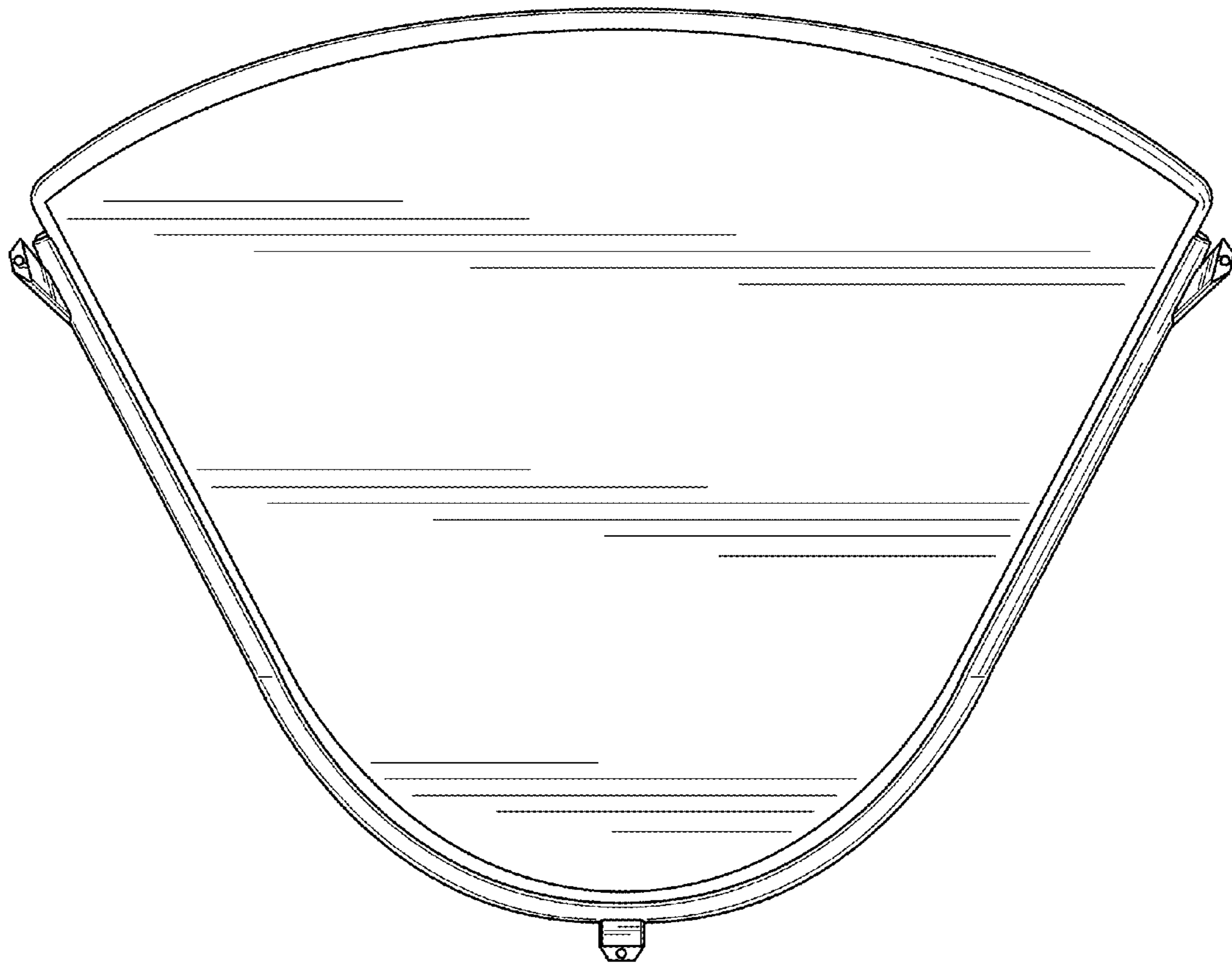


FIG. 8

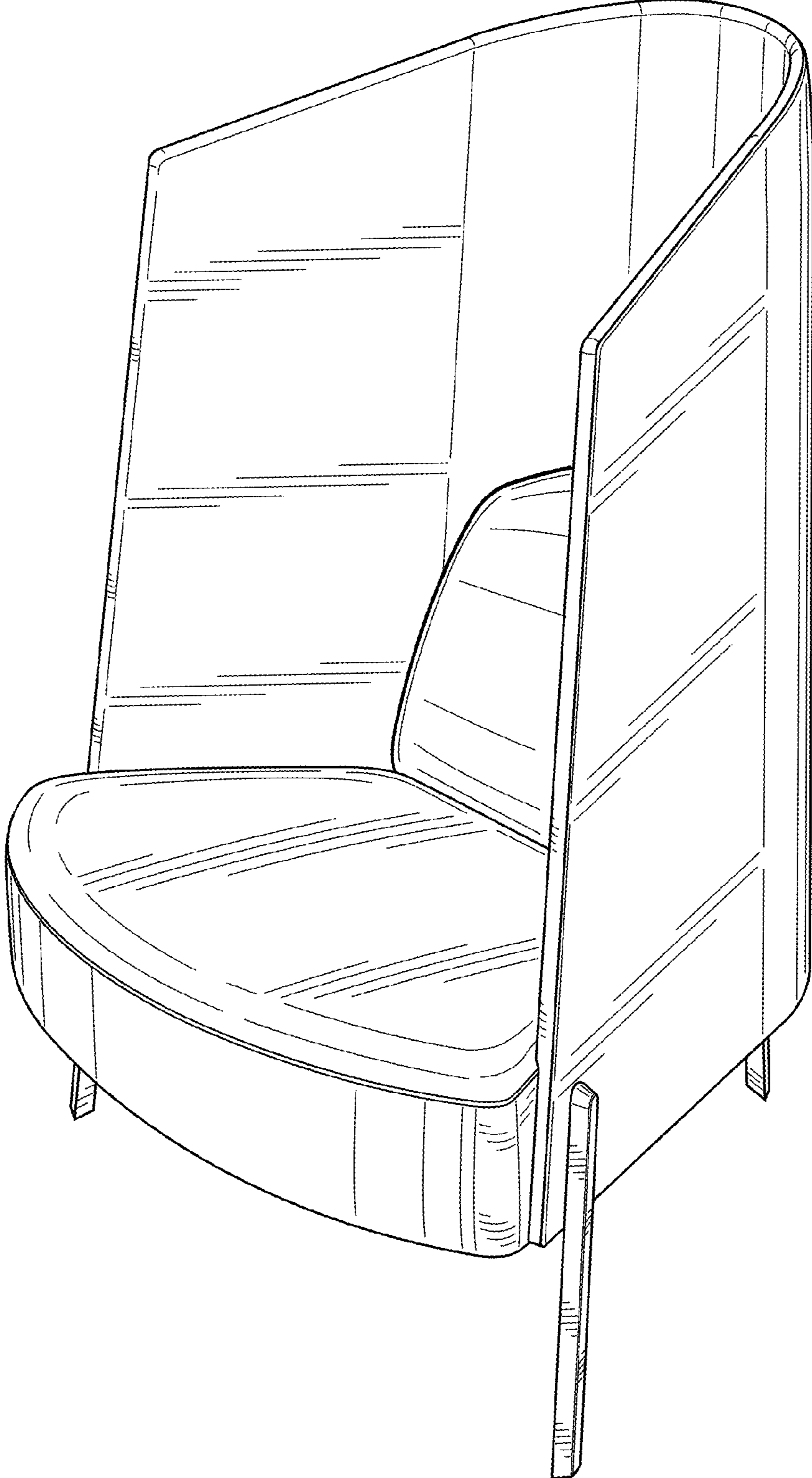


FIG. 9

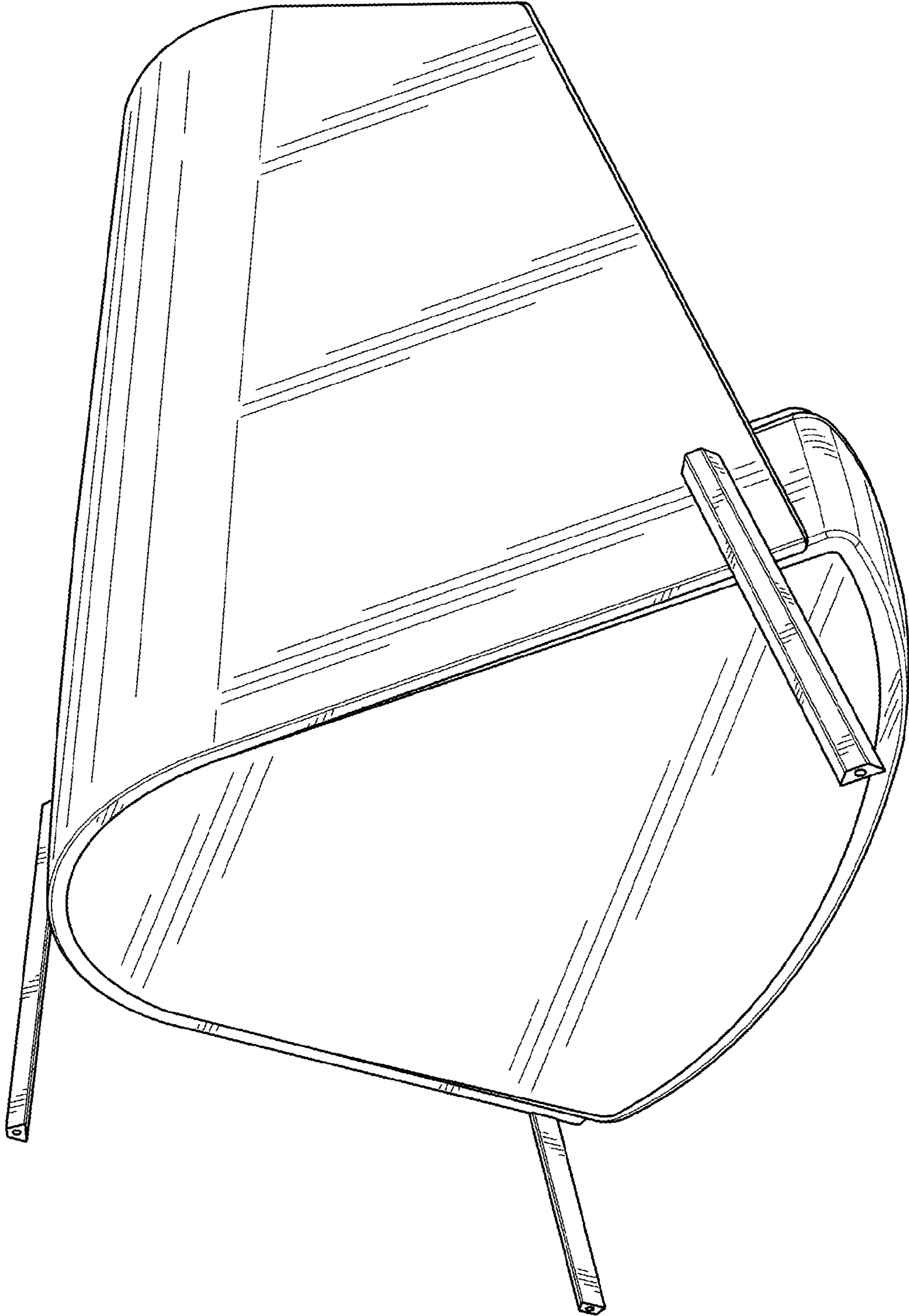


FIG. 10

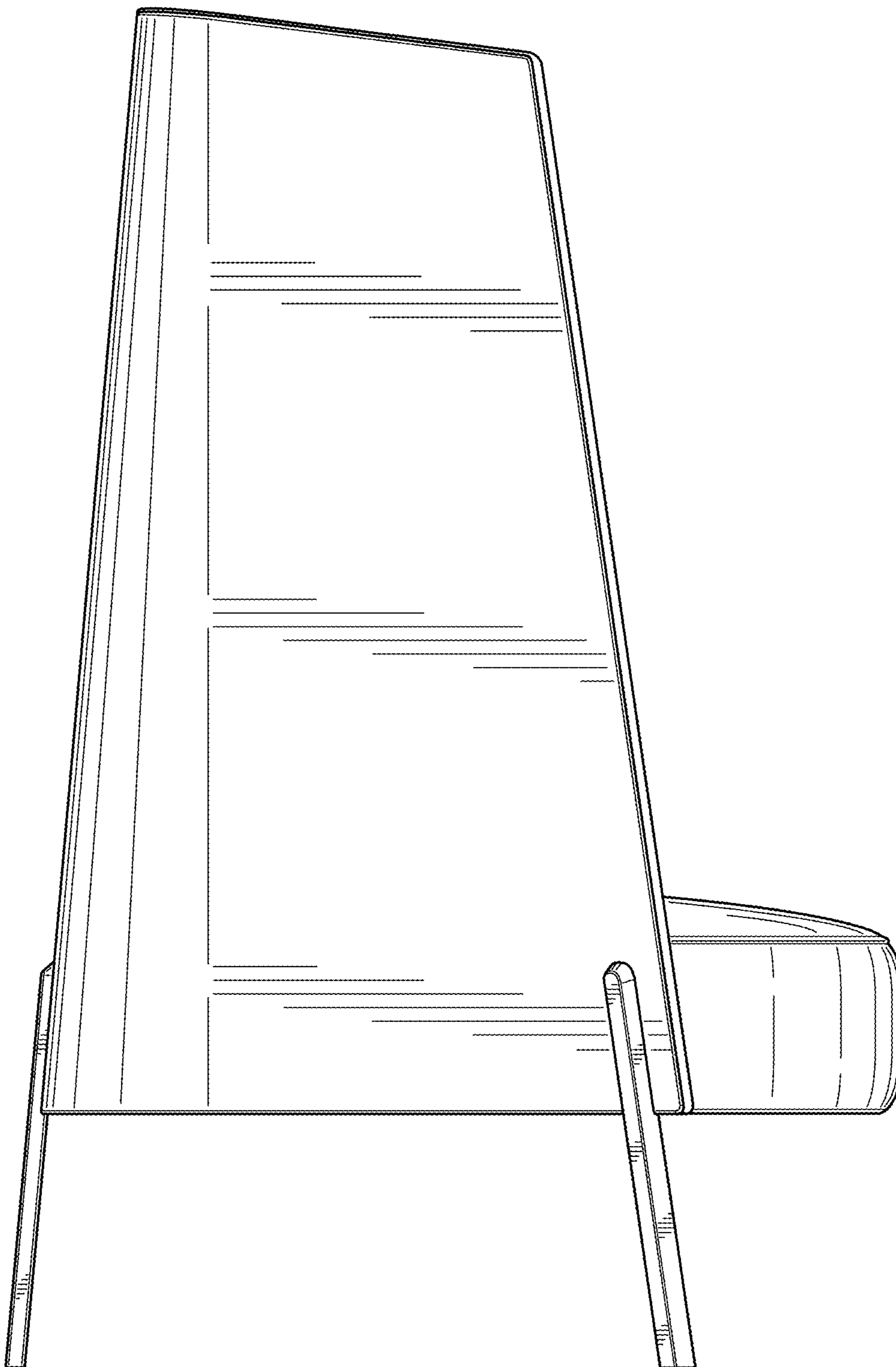


FIG. 11

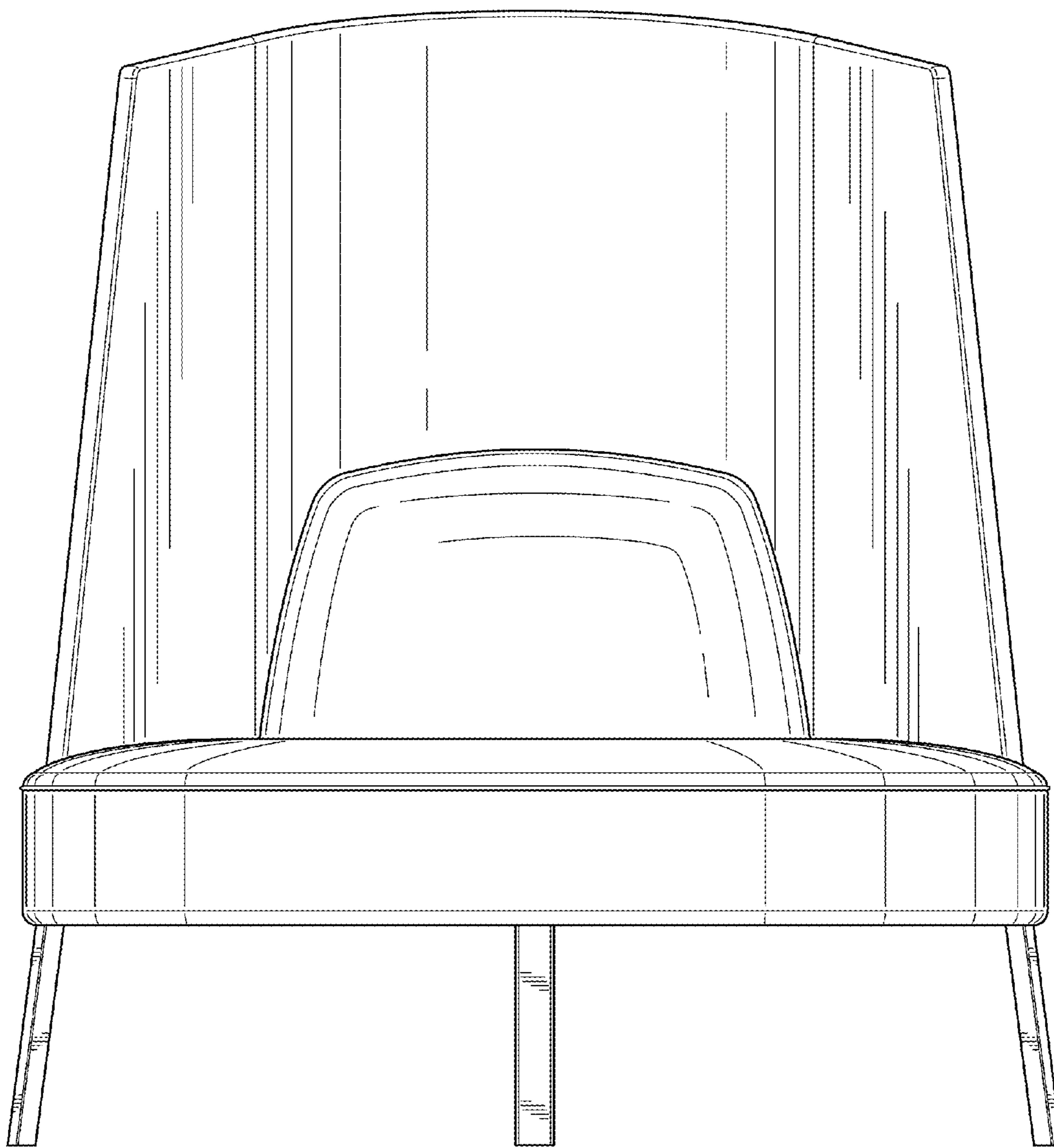


FIG. 12

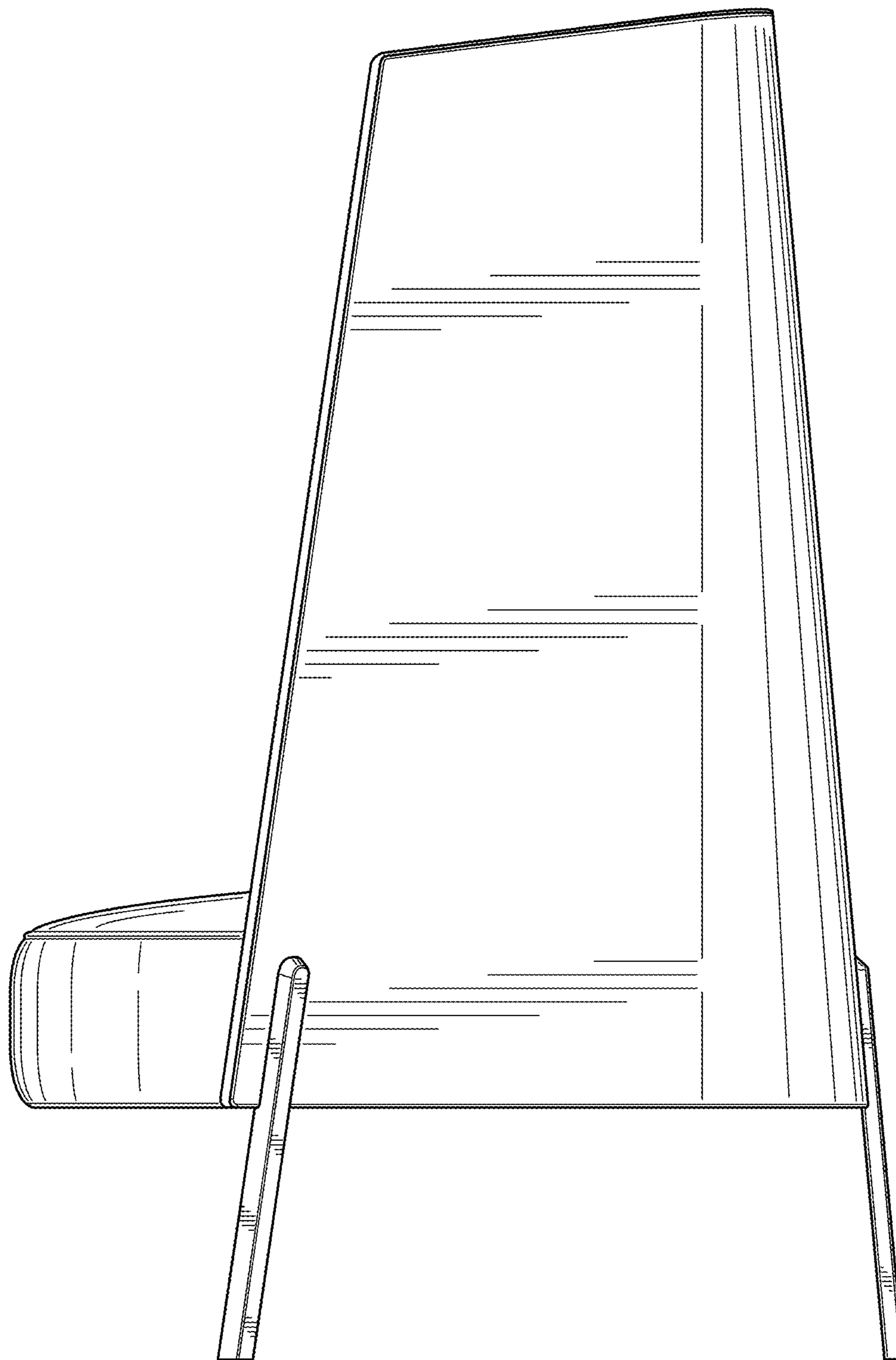


FIG. 13

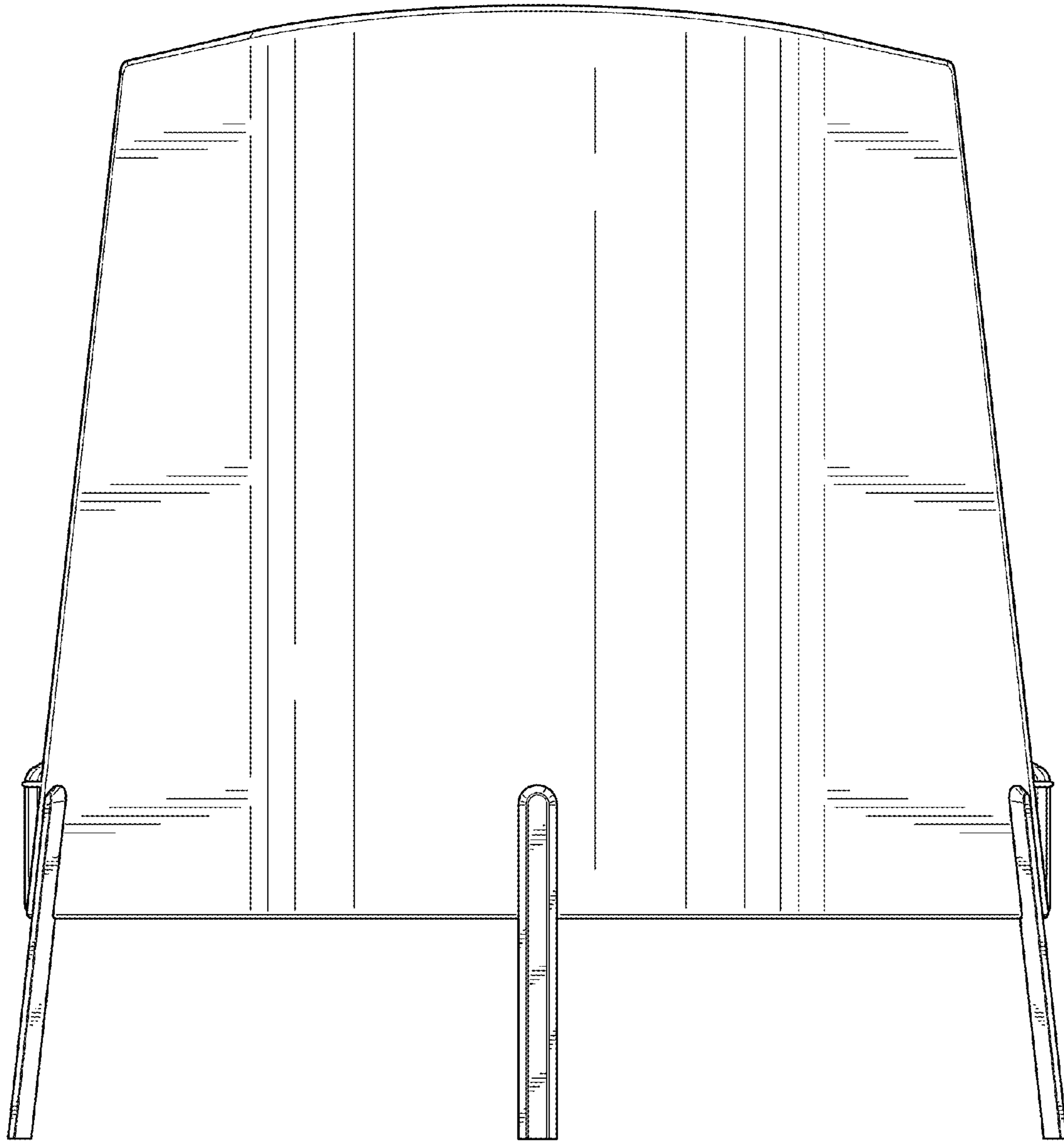


FIG. 14

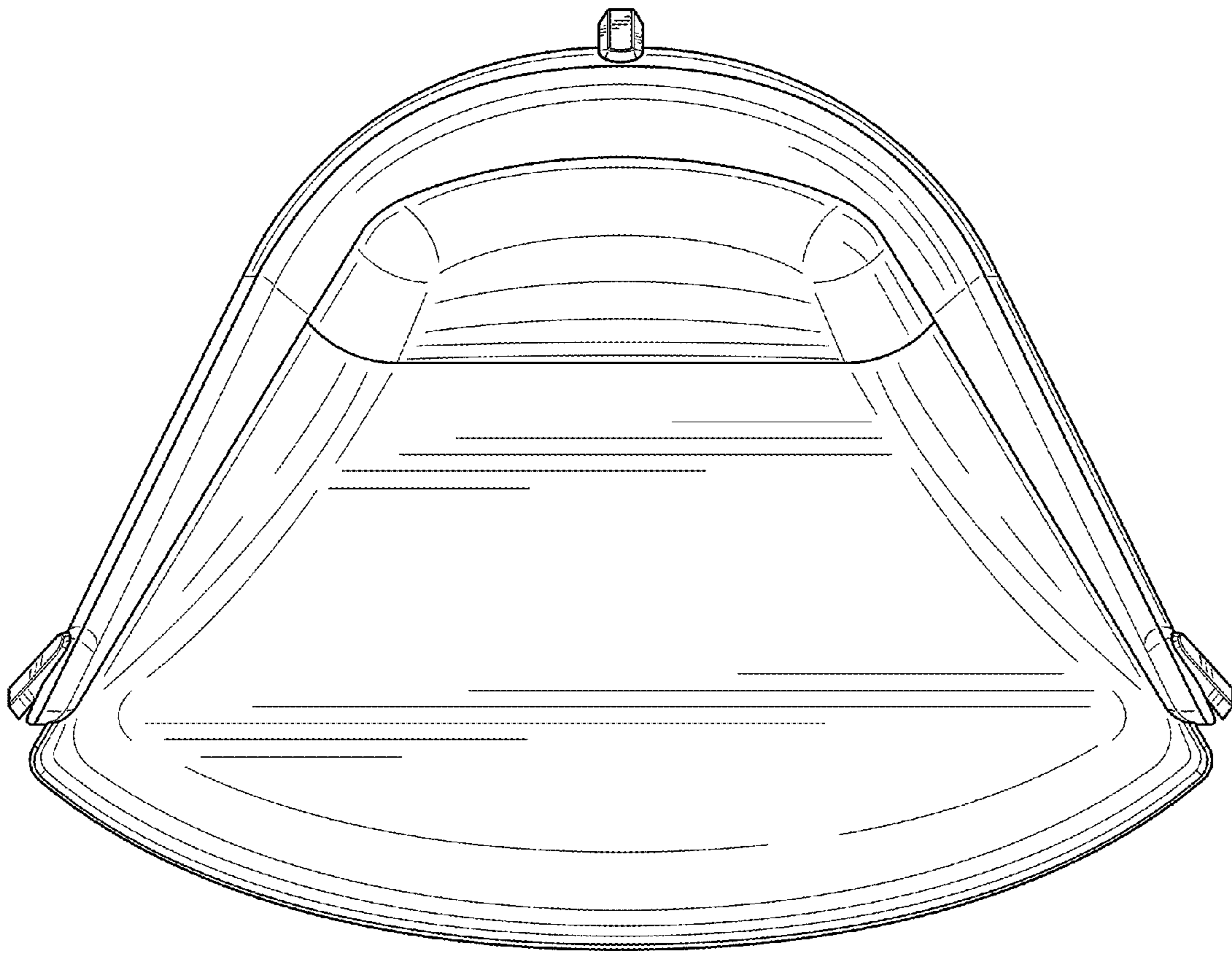


FIG. 15

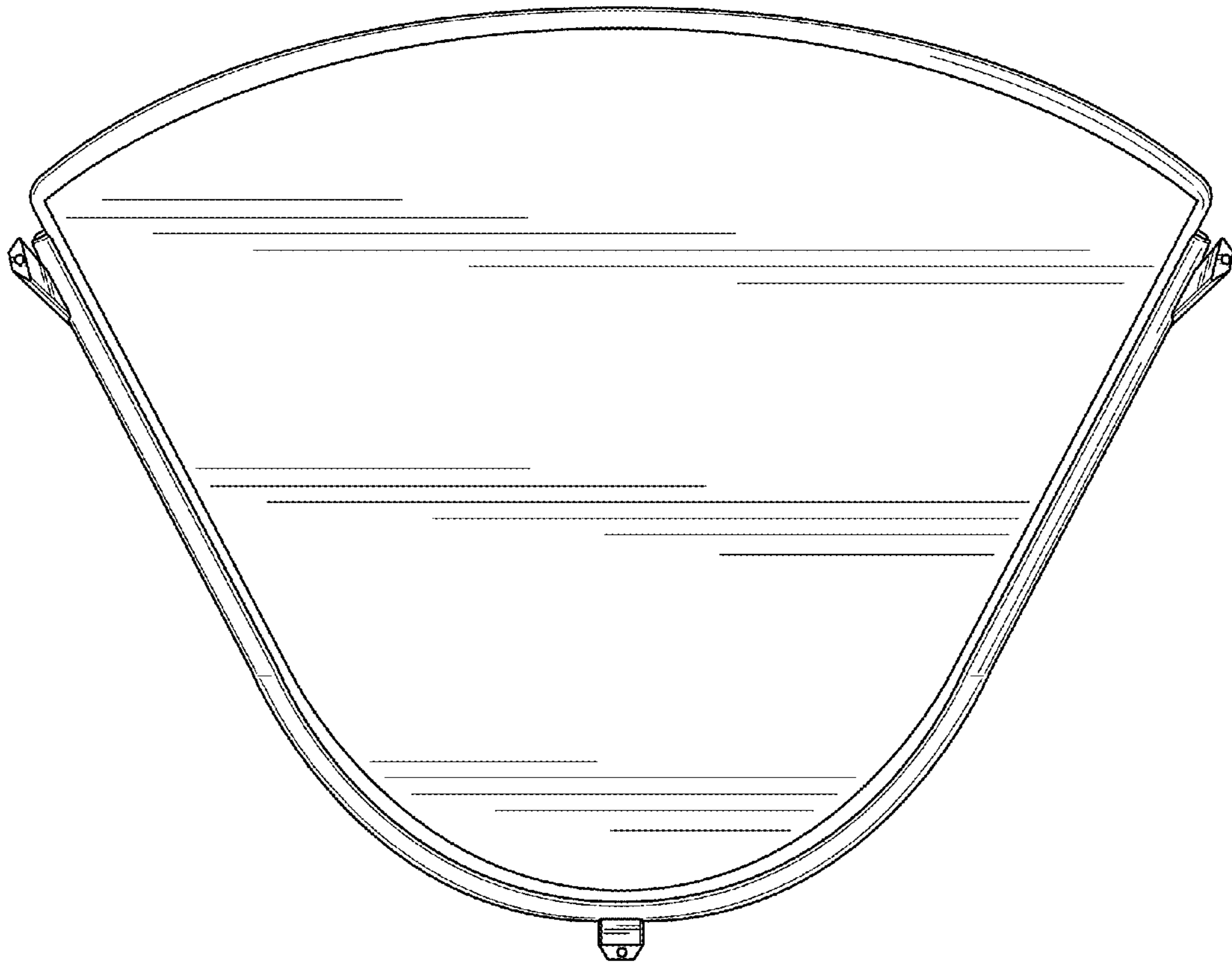


FIG. 16