



US00D747890S

(12) **United States Design Patent**
Kasparian

(10) **Patent No.:** **US D747,890 S**

(45) **Date of Patent:** **** Jan. 26, 2016**

(54) **AIRCRAFT SEAT**

(71) Applicant: **Gulfstream Aerospace Corporation,**
Savannah, GA (US)

(72) Inventor: **Aram Kasparian,** Savannah, GA (US)

(73) Assignee: **Gulfstream Aerospace Corporation,**
Savannah, GA (US)

(**) Term: **14 Years**

(21) Appl. No.: **29/506,125**

(22) Filed: **Oct. 13, 2014**

(51) **LOC (10) Cl.** **06-01**

(52) **U.S. Cl.**
USPC **D6/356**

(58) **Field of Classification Search**
USPC D6/334-336, 356, 367, 368, 374, 716,
D6/716.1, 716.2, 716.3, 716.4
CPC A47C 1/124; A47C 7/40; A47C 7/543;
A47C 7/022; B60N 2/075; B60N 2/4879;
B60N 2/70; B64D 11/06
See application file for complete search history.

(56) **References Cited**

U.S. PATENT DOCUMENTS

D242,508 S * 11/1976 Skyer et al. D6/356
D264,774 S * 6/1982 McGirk D6/356

D332,181 S * 1/1993 Sacco D6/356
D394,756 S * 6/1998 Gryp D6/356
D653,866 S * 2/2012 Wada D6/356
D707,048 S * 6/2014 Nishida D6/356
D711,125 S * 8/2014 Nishida D6/356
D723,822 S * 3/2015 Cai D6/356

* cited by examiner

Primary Examiner — Mimoso De

(74) *Attorney, Agent, or Firm* — Ingrassia, Fisher & Lorenz
PC

(57) **CLAIM**

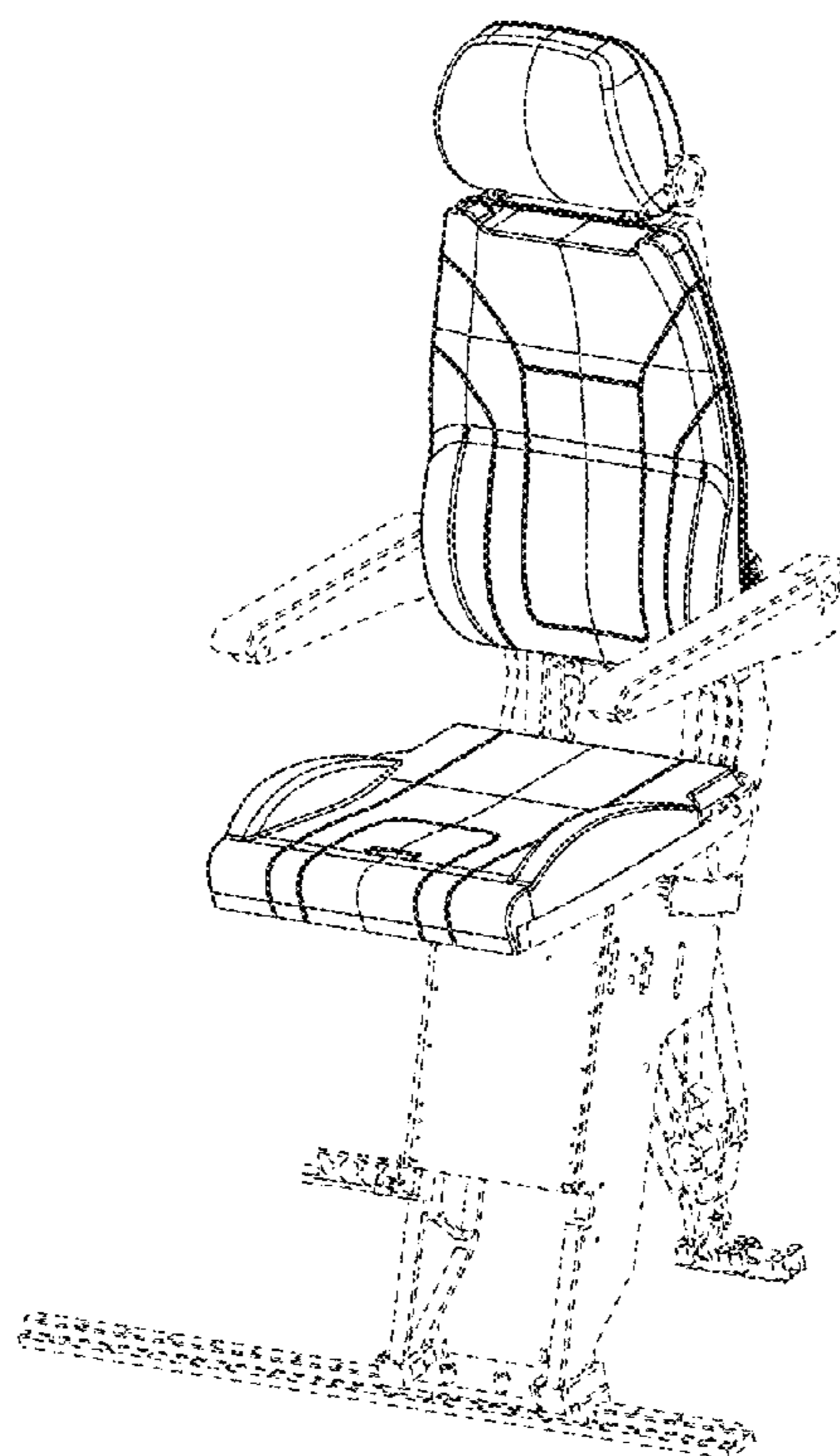
The ornamental design for an aircraft seat, as shown and described.

DESCRIPTION

FIG. 1 is a front perspective view of an aircraft seat showing my new design;
FIG. 2 is a back perspective view thereof;
FIG. 3 is a front view thereof;
FIG. 4 is a back view thereof;
FIG. 5 is a first side view thereof;
FIG. 6 is second side view thereof; and,
FIG. 7 is a top view thereof, the bottom view forming no part of the claimed design.

The broken lines illustrate structure and environment that form no part of the claimed design.

1 Claim, 5 Drawing Sheets



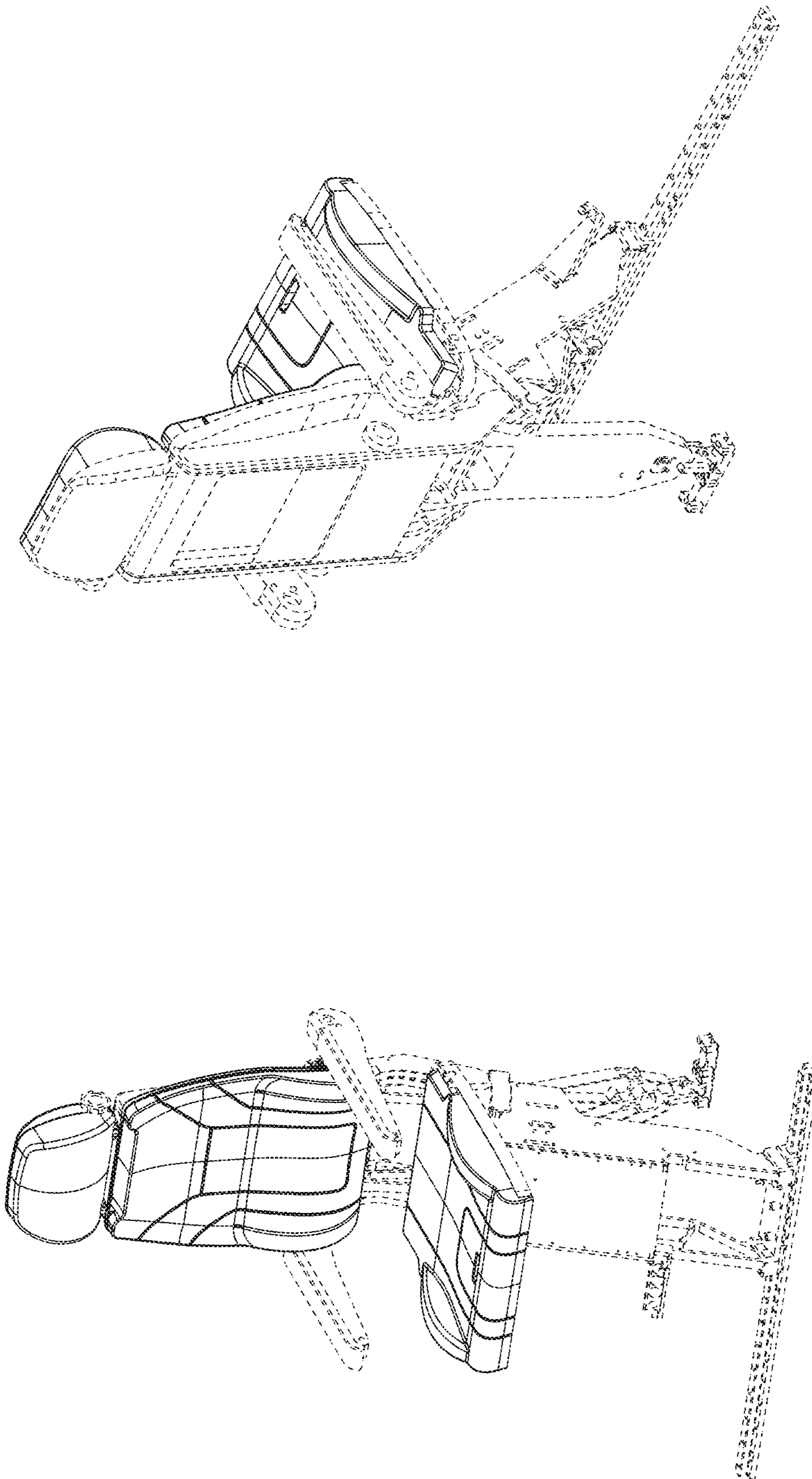


FIG. 2

FIG. 1

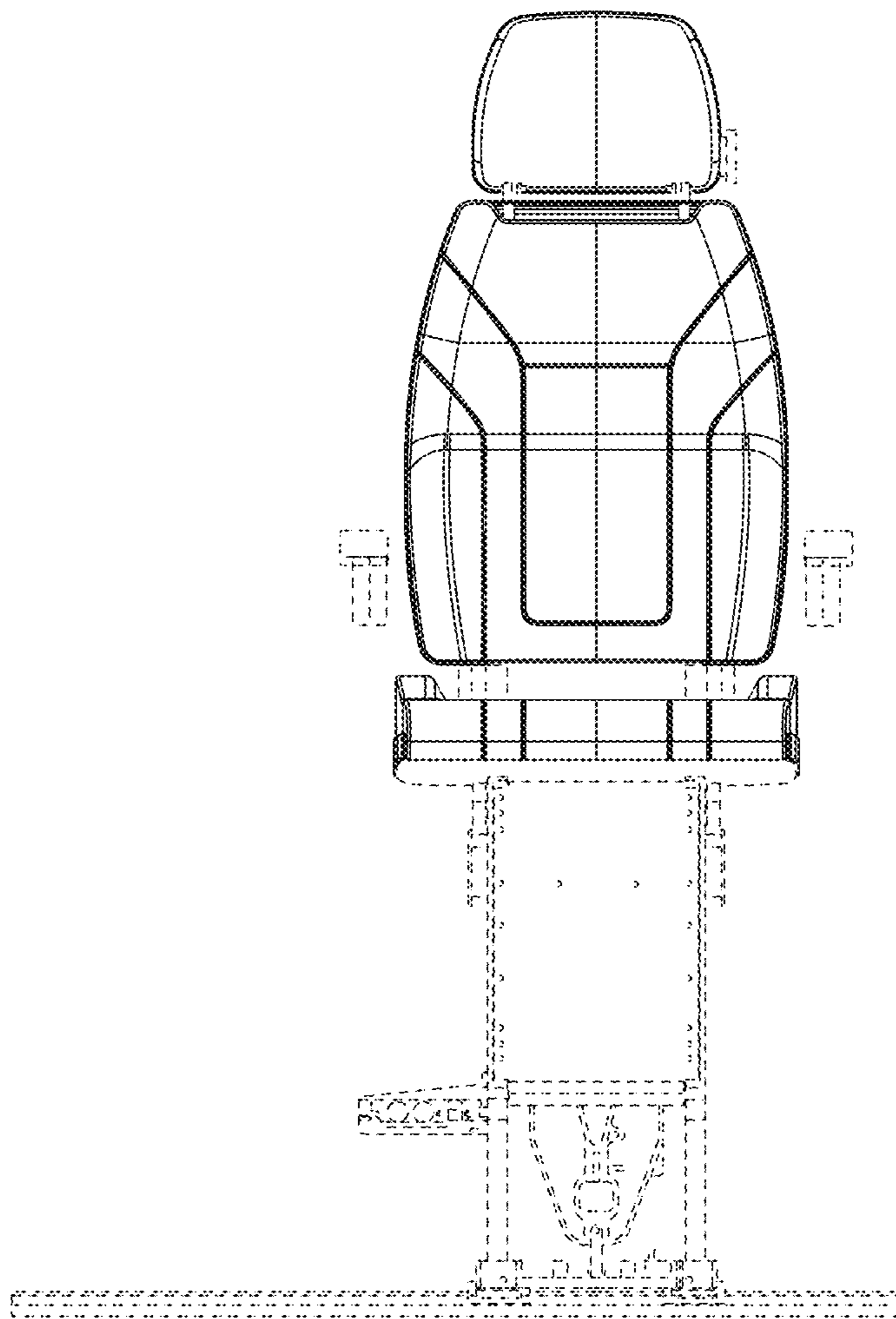


FIG. 3

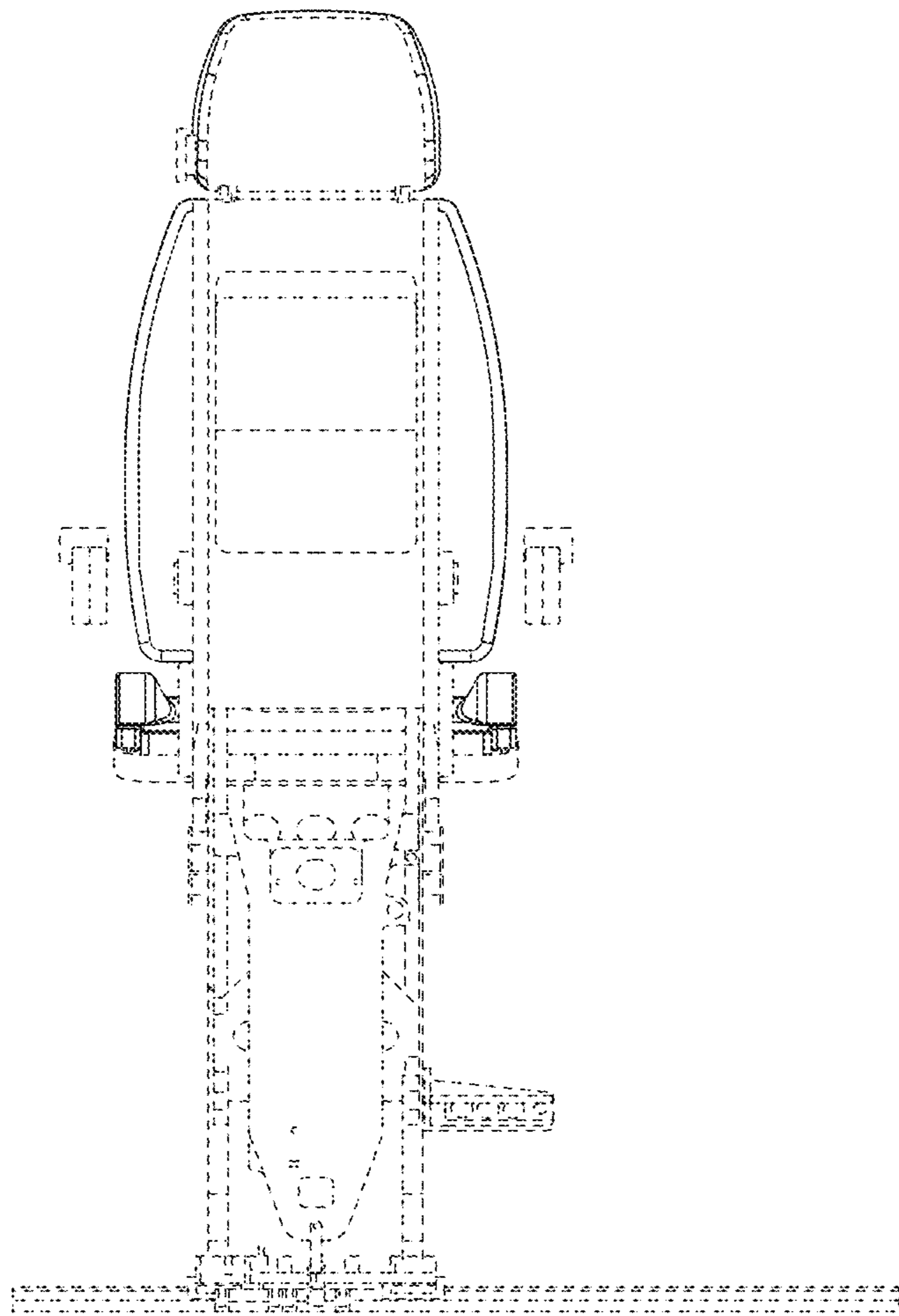


FIG. 4

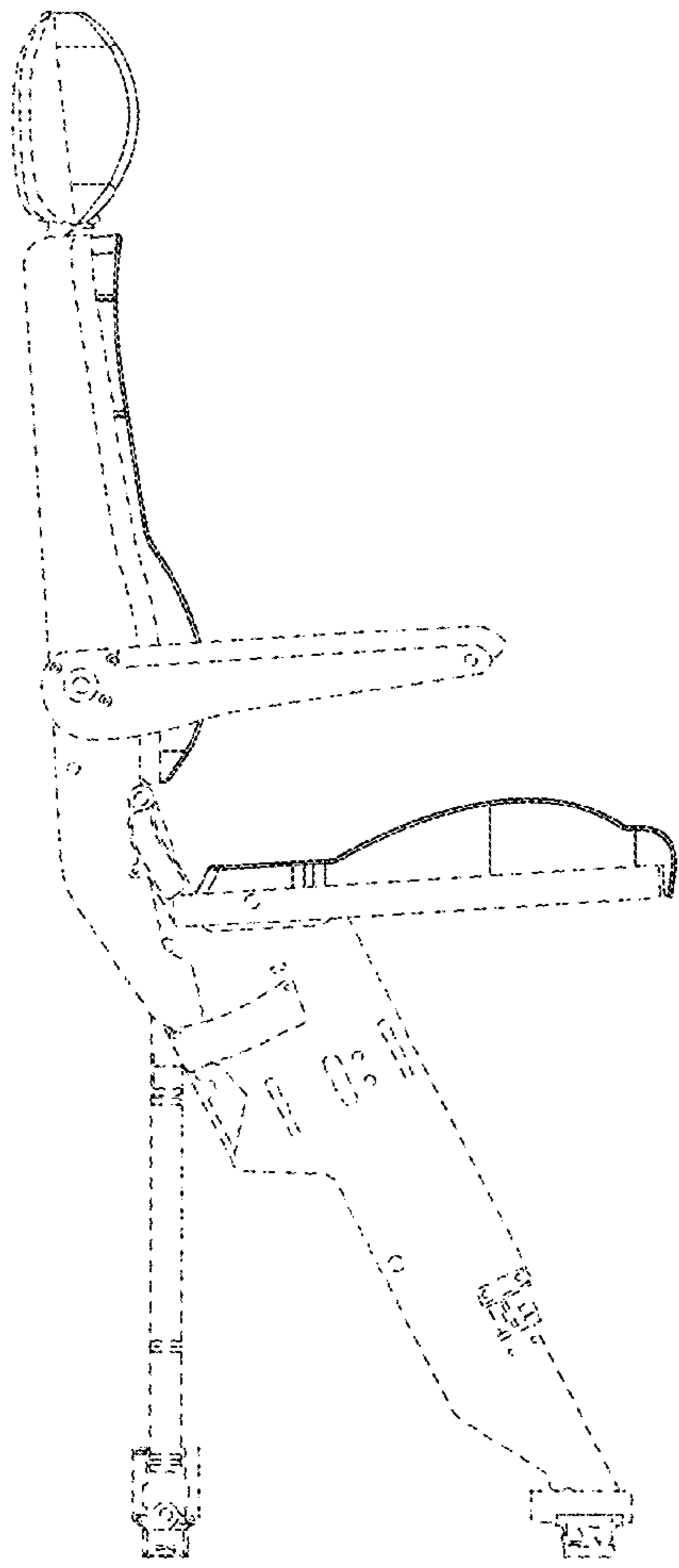


FIG. 5

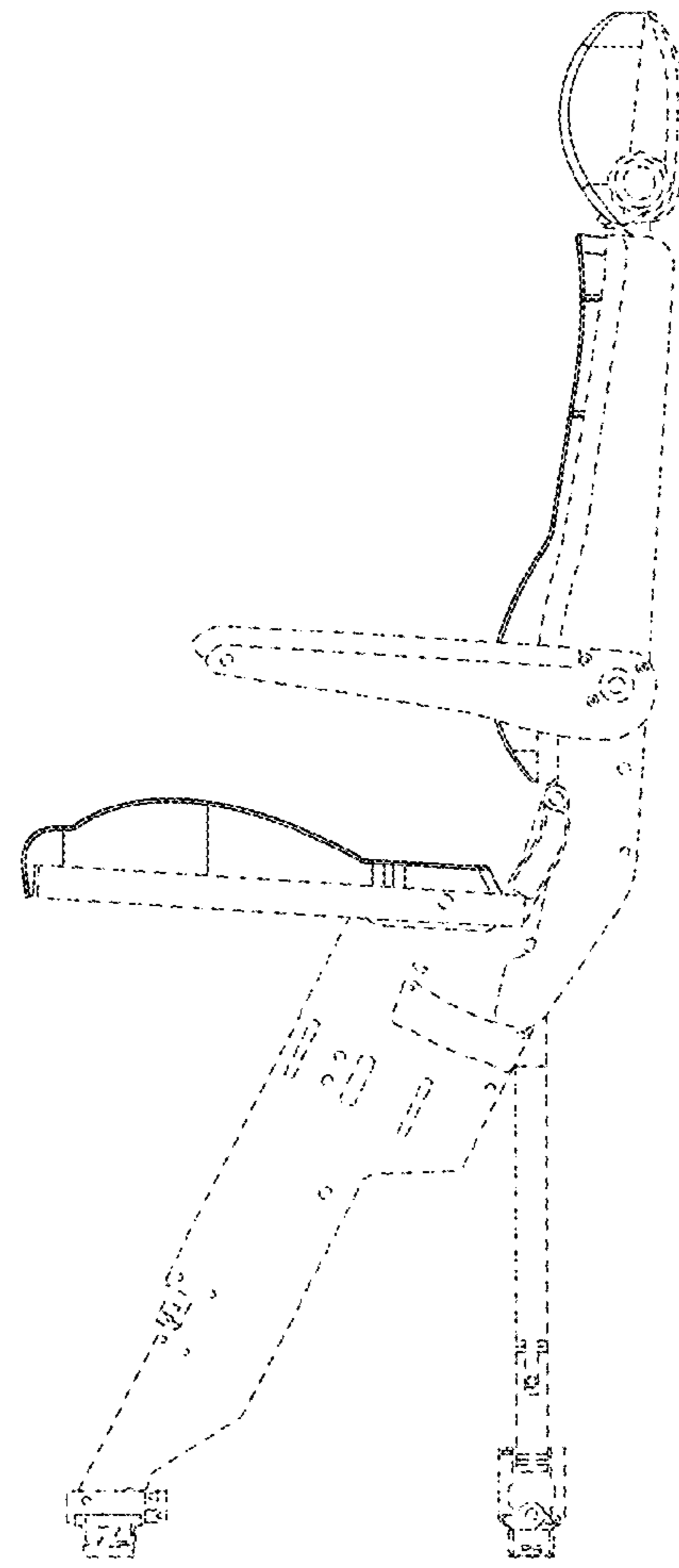


FIG. 6

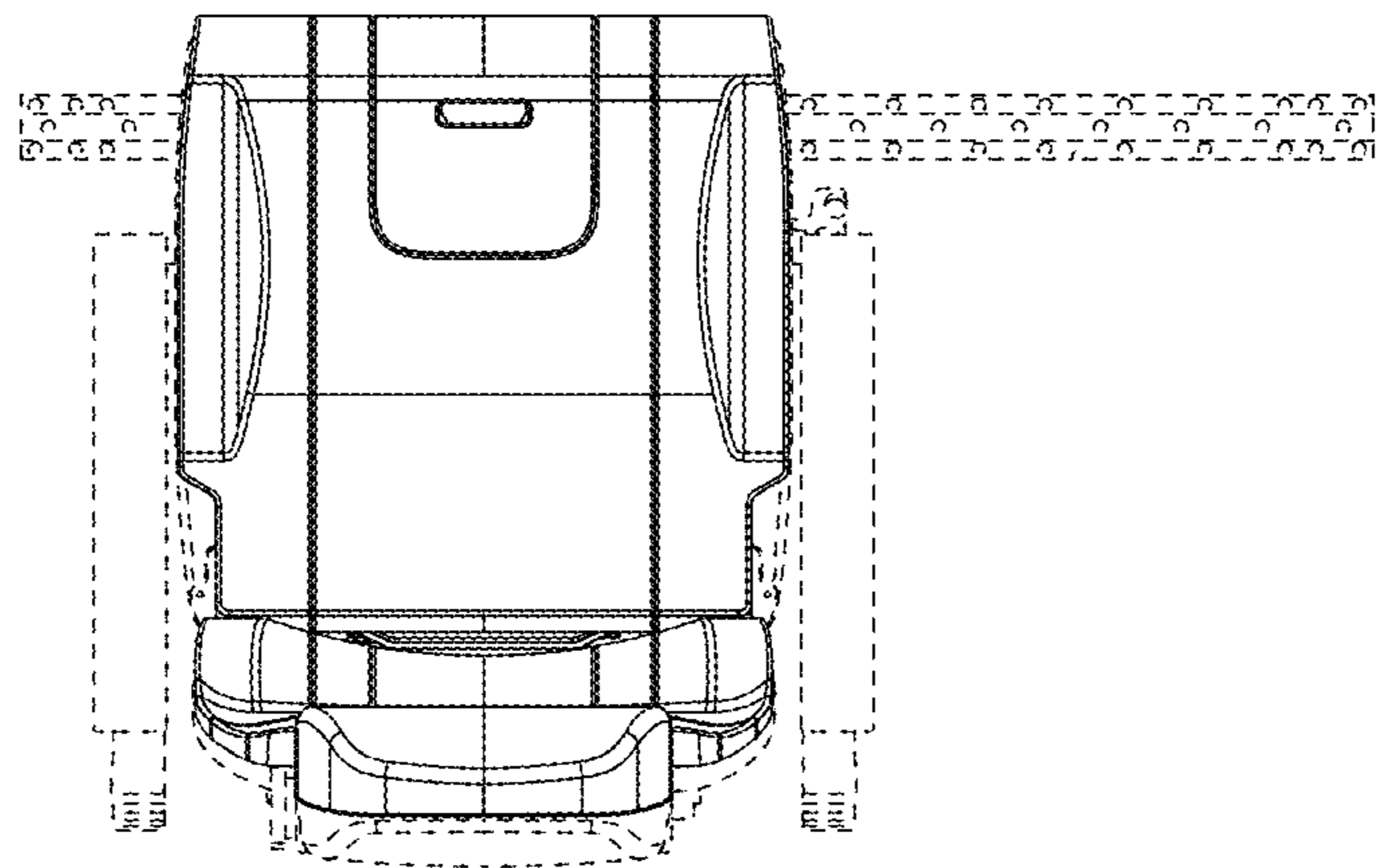


FIG. 7