



US00D747889S

(12) **United States Design Patent**
Head, Jr.

(10) **Patent No.:** **US D747,889 S**
(45) **Date of Patent:** **** Jan. 26, 2016**

- (54) **FOLDABLE, ROLLING WORK CHAIR**
- (71) Applicant: **H Wayne Head, Jr.**, O'Donnell, TX (US)
- (72) Inventor: **H Wayne Head, Jr.**, O'Donnell, TX (US)
- (**) Term: **14 Years**
- (21) Appl. No.: **29/489,323**
- (22) Filed: **Apr. 29, 2014**
- (51) **LOC (10) Cl.** **06-01**
- (52) **U.S. Cl.**
USPC **D6/353**
- (58) **Field of Classification Search**
USPC D6/333, 335, 340, 344, 347, 349-355, D6/358, 360, 363-365, 381, 406.6, 596, D6/601, 648, 662.1, 675, 677, 685-687, D6/688.15, 688.27, 690, 691, 691.8, D6/692.1-692.3, 695.1, 708.16, 708.2, D6/709, 709.2, 709.22, 711, 716-716.7, D6/717
CPC A47C 1/14; A47C 3/00; A47C 3/04; A47C 3/14; A47C 3/16; A47C 3/18; A47C 3/20; A47C 3/36; A47C 4/00; A47C 4/28; A47C 4/30; A47C 4/42; A47C 4/48; A47C 5/02; A47C 5/04; A47C 5/043; A47C 7/00-7/006; A47C 7/02; A47C 9/00; A47C 9/02; A47C 9/002; A47C 9/007; A47C 9/025; A47C 9/10; A47C 11/00; A47C 12/00; A47C 13/00; A47C 16/02; A47B 7/00-7/02; A47B 45/00; A47B 47/04-47/045; A47B 3/00; A47B 3/02; A47B 3/04; A47B 3/12
See application file for complete search history.

2,508,932 A	5/1950	Turner	
3,122,397 A	2/1964	Mintz	
D203,437 S *	1/1966	Melchior	D6/349
4,122,780 A *	10/1978	Brickman	A47B 3/02 108/25
D251,639 S *	4/1979	Colby	D6/353
4,469,372 A	9/1984	Long	
D277,813 S *	3/1985	Grady	D6/349
D287,318 S *	12/1986	Garduno	5/655
D299,257 S *	1/1989	Naboshek	D21/690
D364,745 S *	12/1995	Rettenberger	D6/336
5,522,642 A	6/1996	Herzog	
5,722,717 A *	3/1998	Rettenberger	A47C 15/004 297/183.5
D398,785 S *	9/1998	Pogue	D6/336
D441,554 S *	5/2001	Holm	D6/349
6,290,290 B1 *	9/2001	Kokuzian	A47D 1/10 248/164
D450,466 S *	11/2001	Overthun	D6/336
6,889,393 B1 *	5/2005	Rinaldo	A47K 11/04 4/484
D530,931 S *	10/2006	Gilbert	D6/353
D614,423 S *	4/2010	Mohazzabi	D6/349
D675,841 S	2/2013	Mound, II	
2008/0185879 A1	8/2008	Lin	
2009/0261627 A1	10/2009	Leng	

* cited by examiner

Primary Examiner — Susan Bennett Hattan
Assistant Examiner — Vy Koenig
(74) *Attorney, Agent, or Firm* — Stephen D. Carver

(57) **CLAIM**
The ornamental design for a foldable, rolling work chair, as shown.

DESCRIPTION

FIG. 1 is a frontal isometric view of foldable, rolling work chair showing my new design;
FIG. 2 is a lower isometric view thereof;
FIG. 3 is a rear elevational view thereof;
FIG. 4 is a front elevational view thereof;
FIG. 5 is an end view, taken generally from a position to the right of FIG. 1;
FIG. 6 is an end view, taken generally from a position to the left of FIG. 1;
FIG. 7 is a top plan view thereof; and,
FIG. 8 is a bottom plan view thereof.

1 Claim, 5 Drawing Sheets

(56) **References Cited**
U.S. PATENT DOCUMENTS

88,921 A	4/1869	Snow	
1,426,160 A *	8/1922	Driver	A47B 3/02 108/118
1,543,985 A *	6/1925	Caldwell	A47B 3/02 108/118
1,557,813 A *	10/1925	Derse	A47C 4/283 108/175

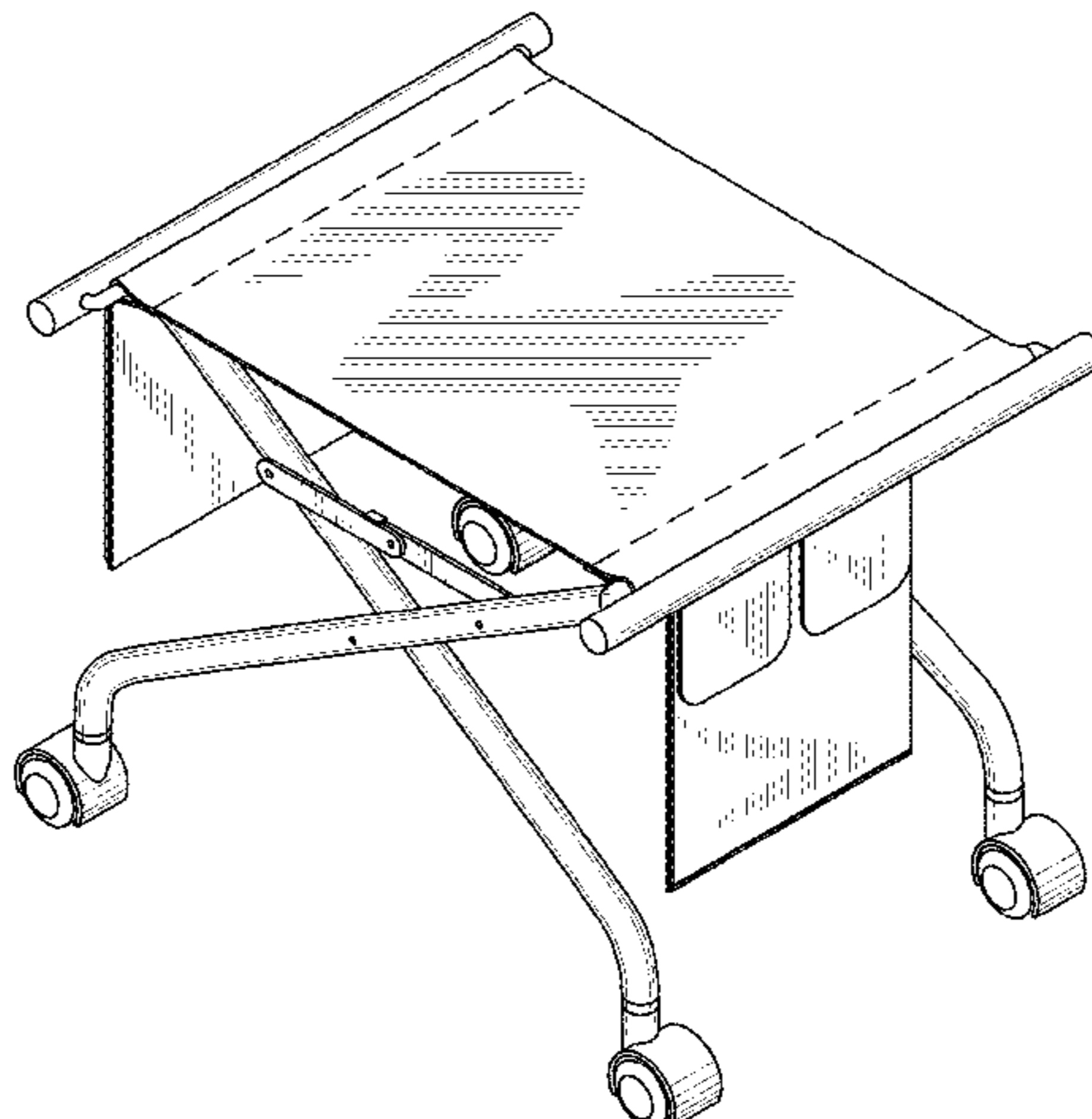


FIG. 1

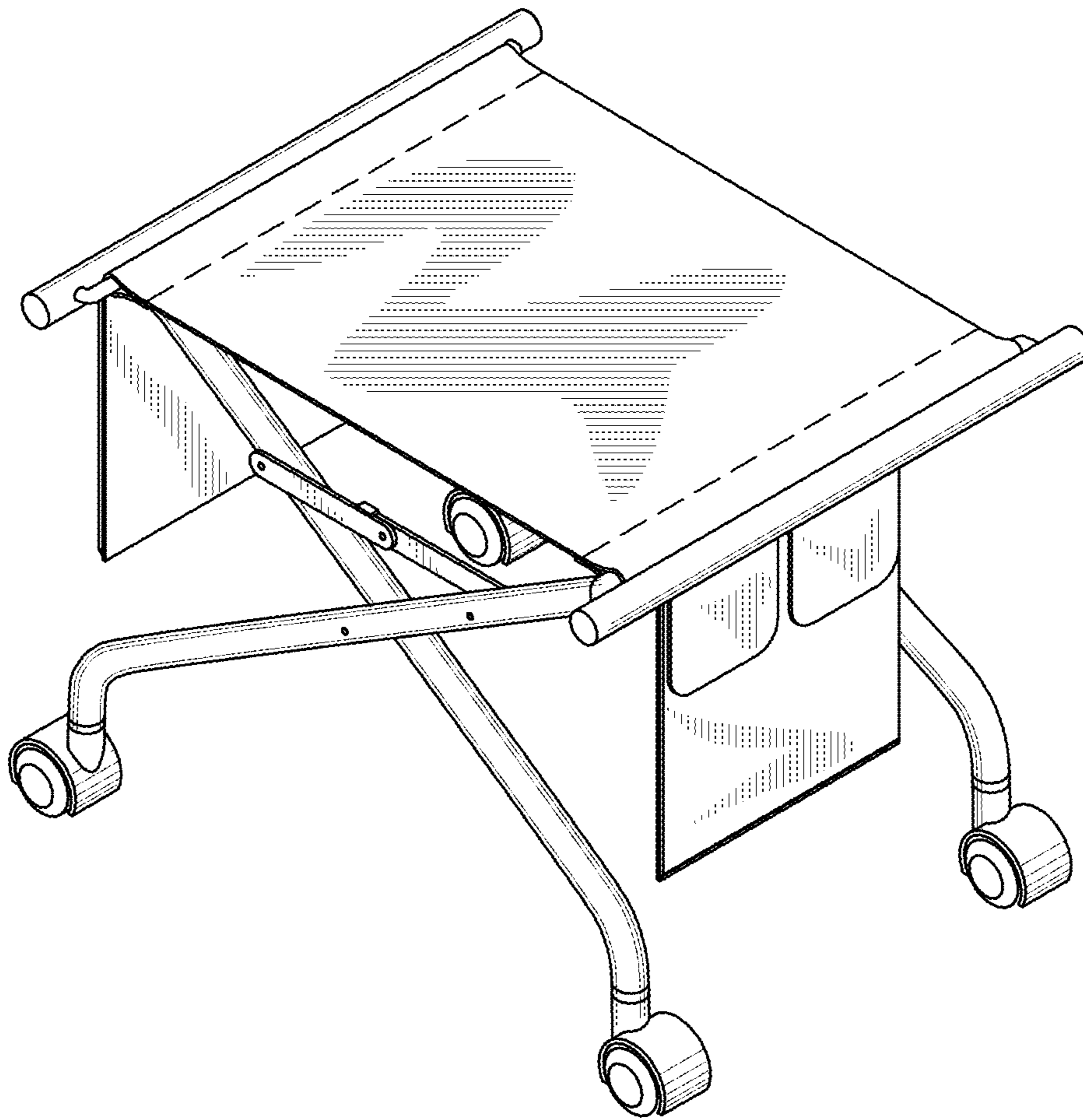


FIG. 2

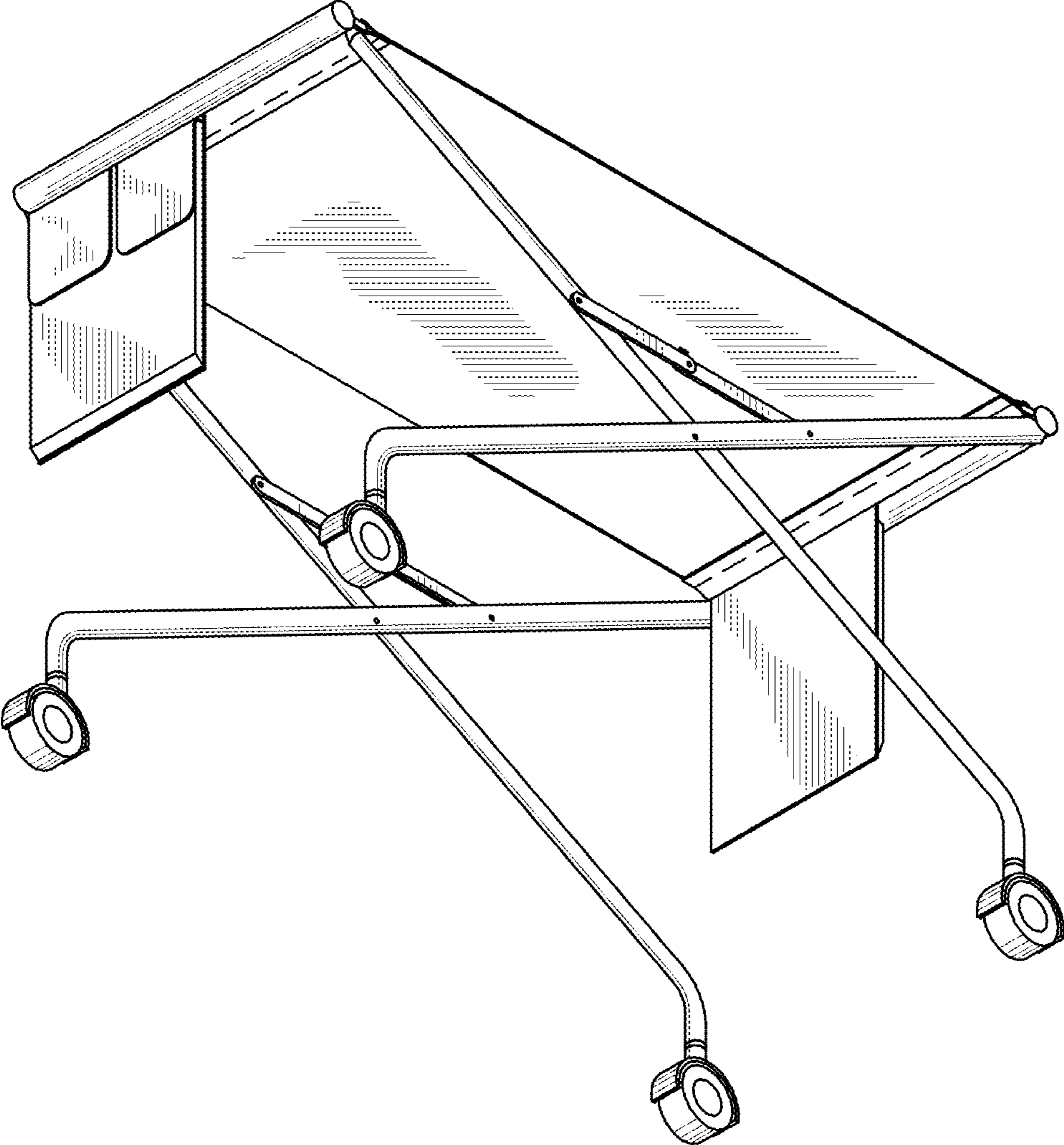


FIG. 3

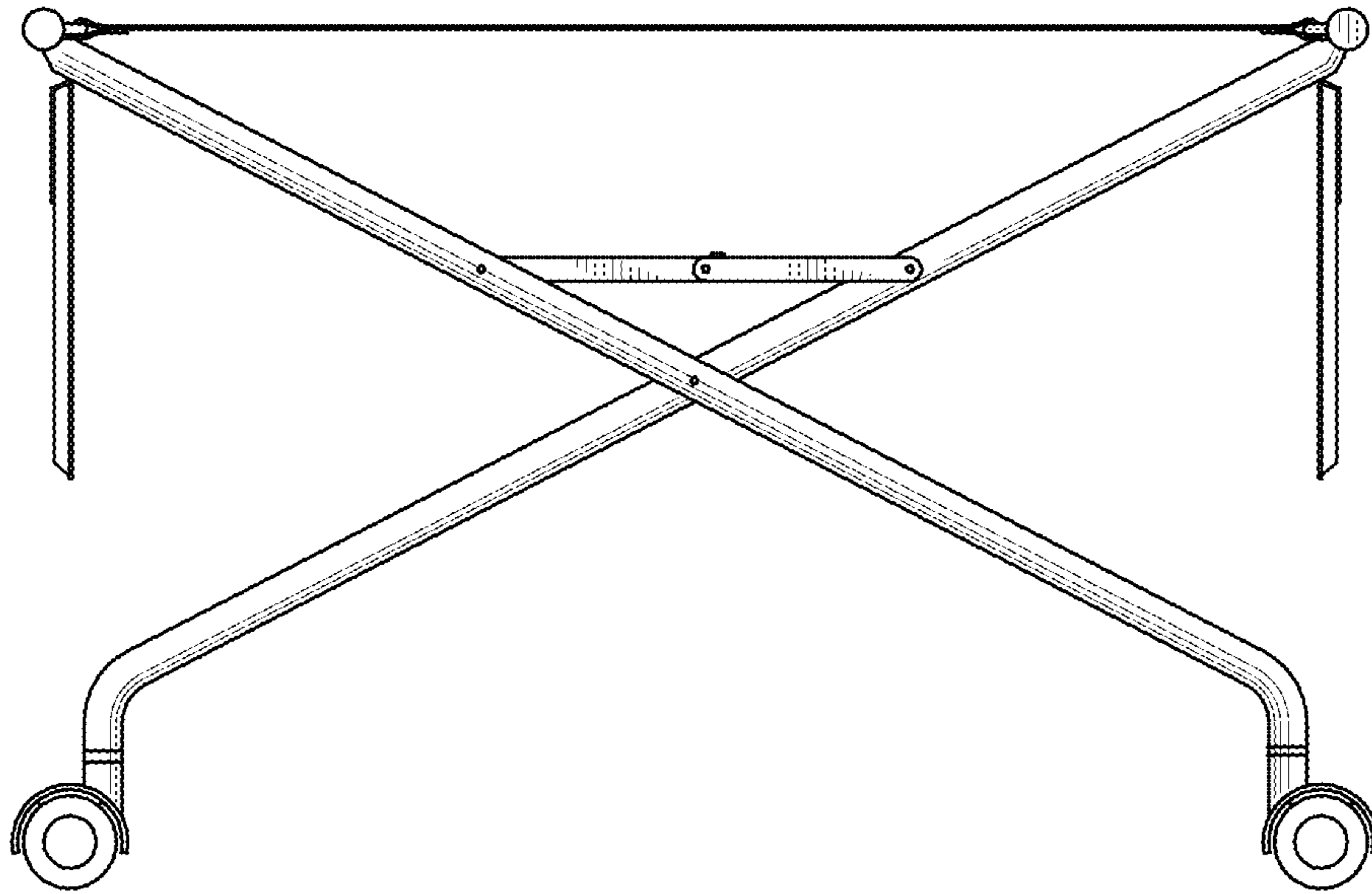


FIG. 4

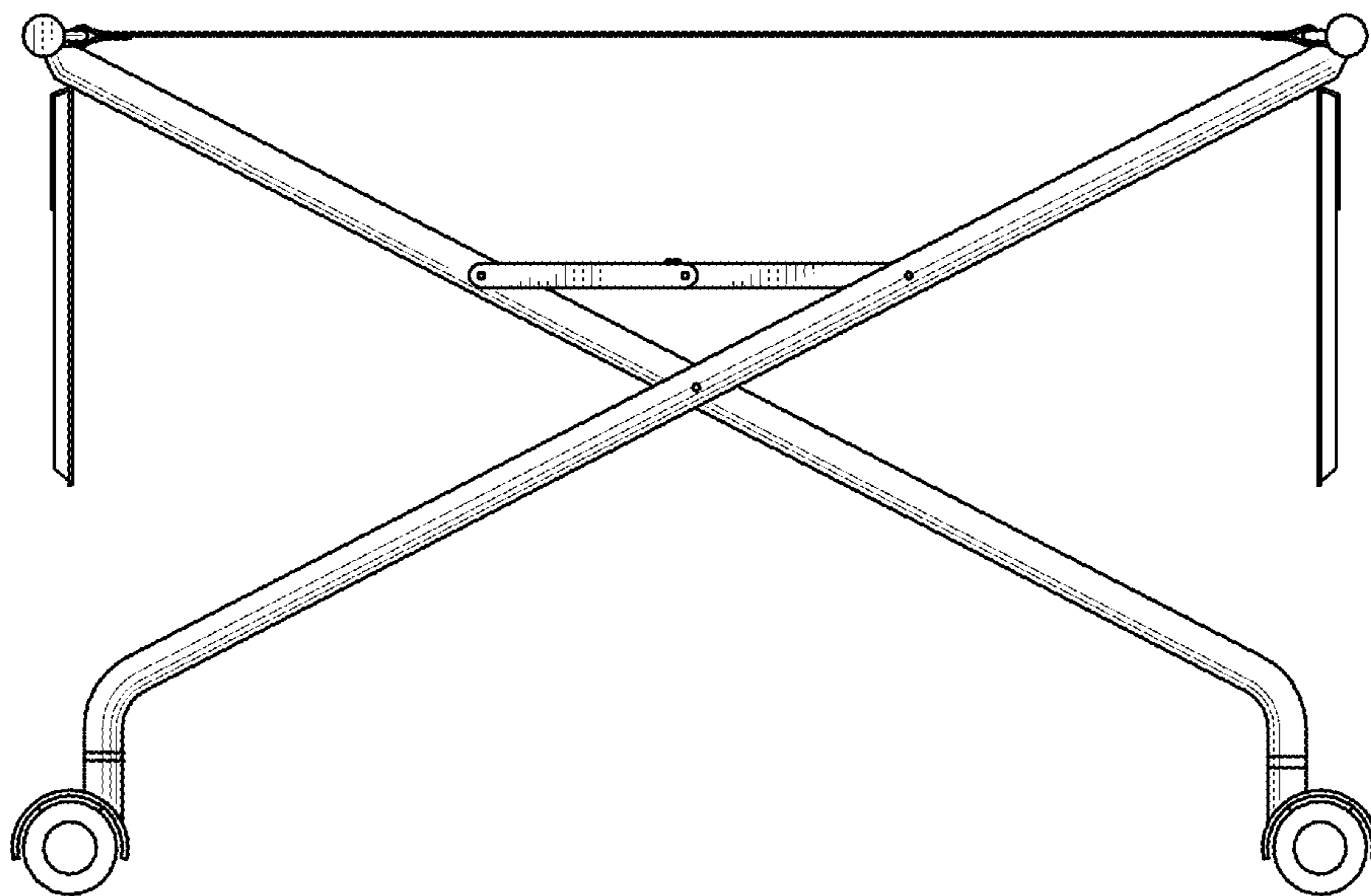


FIG. 5

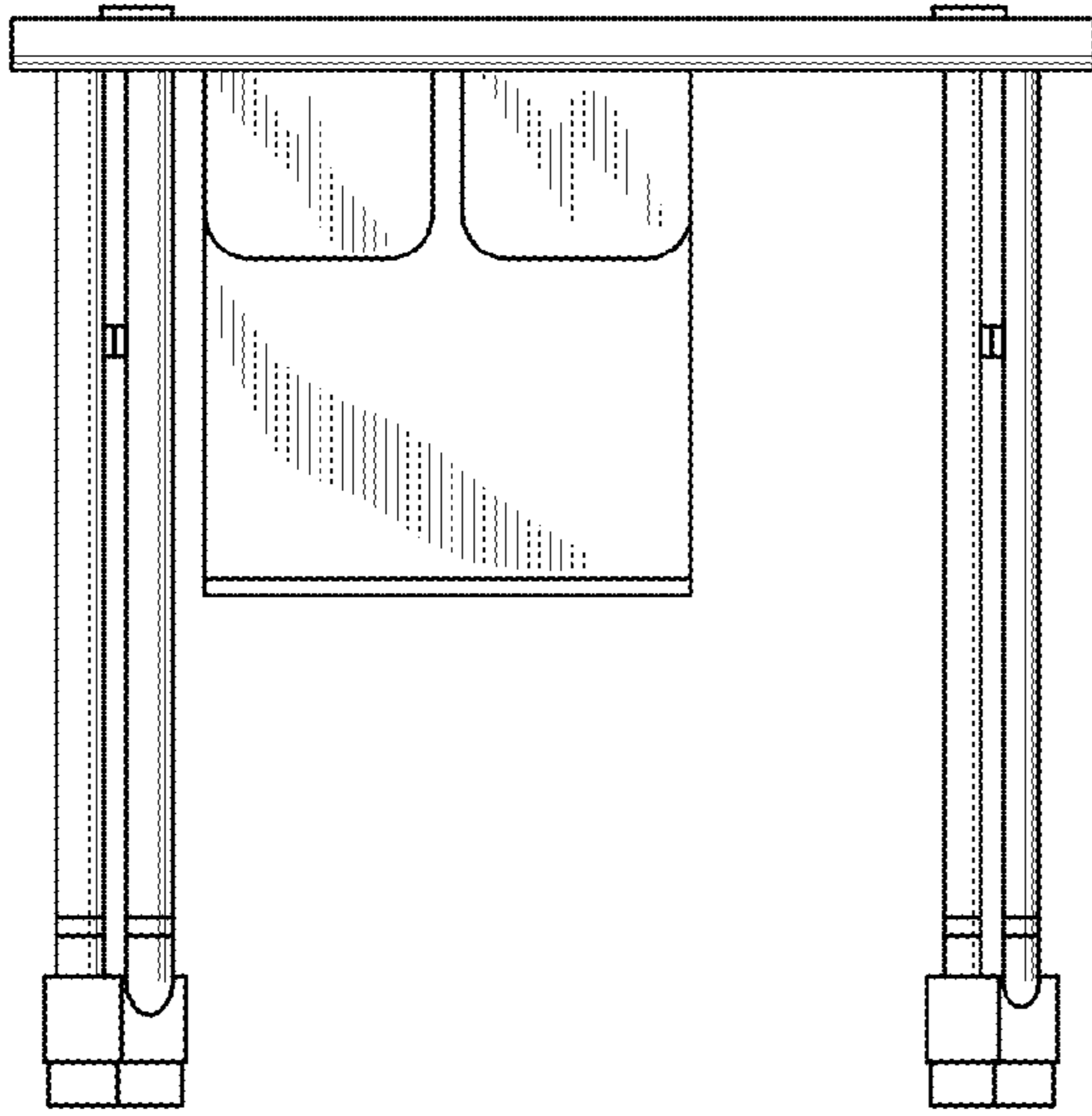


FIG. 6

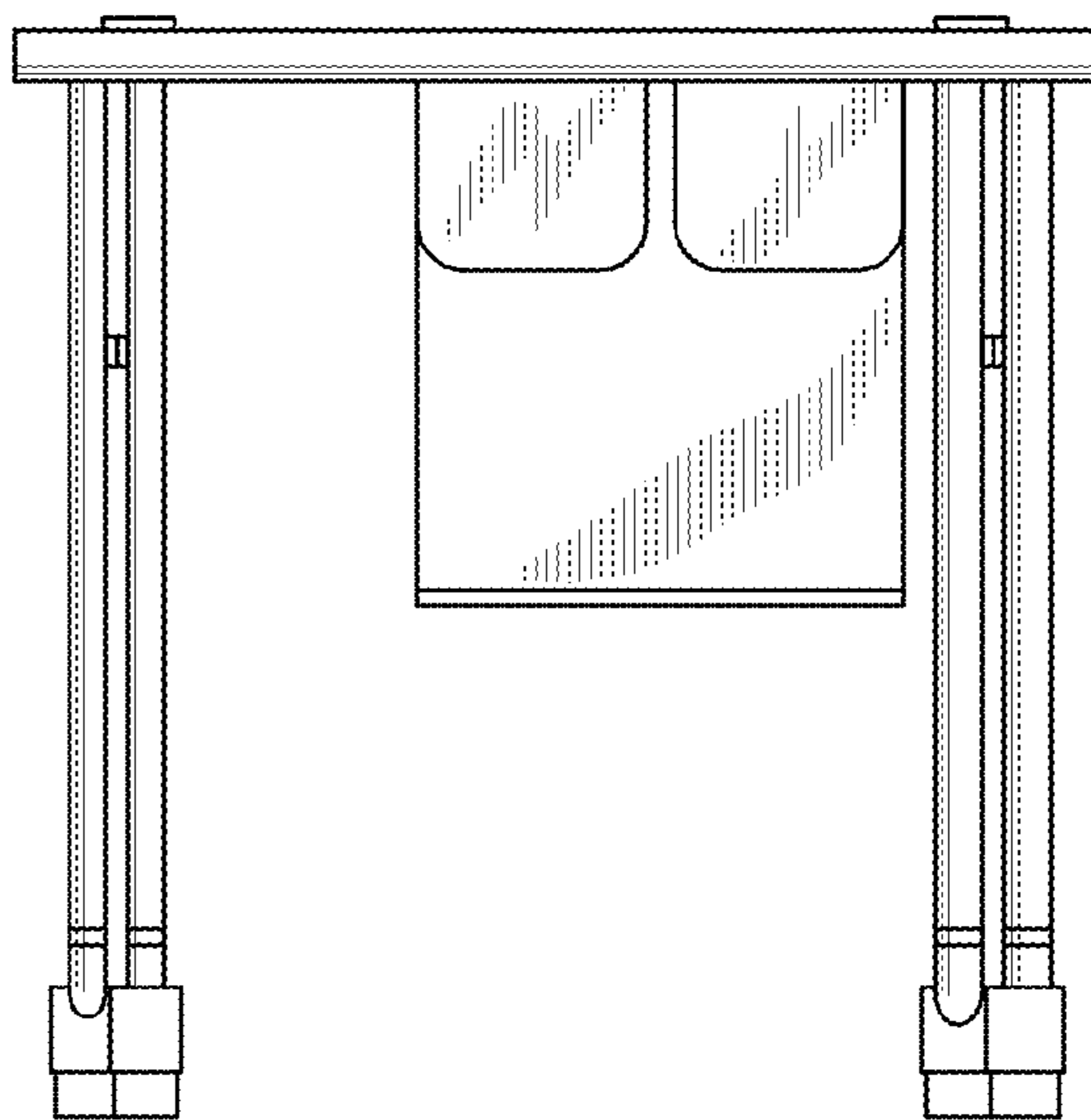


FIG. 7

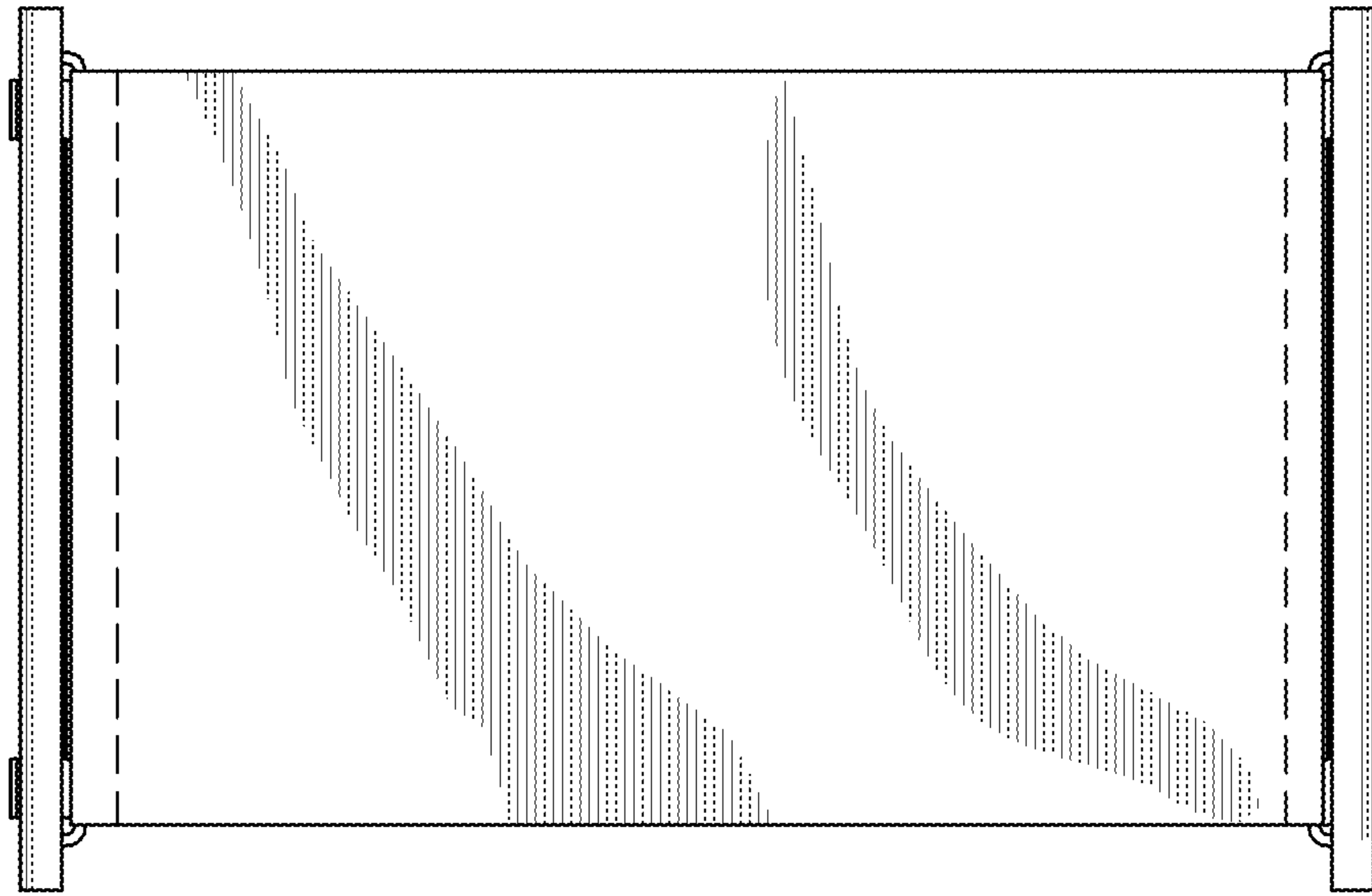


FIG. 8

