



US00D747884S

(12) **United States Design Patent**
Chalifoux

(10) **Patent No.:** **US D747,884 S**
(45) **Date of Patent:** **** Jan. 26, 2016**

- (54) **POOL WALL BRUSH**
- (71) Applicant: **CPA Pool Products, Inc.**, Blainville (Québec) (CA)
- (72) Inventor: **Gabrielle P. Chalifoux**, Laval (CA)
- (73) Assignee: **CPA POOL PRODUCTS, INC.**, Blainville (CA)
- (**) Term: **14 Years**
- (21) Appl. No.: **29/500,144**
- (22) Filed: **Aug. 21, 2014**
- (51) **LOC (10) Cl.** **04-01**
- (52) **U.S. Cl.**
USPC **D4/132**
- (58) **Field of Classification Search**
USPC D4/104–118, 121, 127–133, 138, 199;
D32/15, 19, 35, 40, 42, 46, 48, 49, 51;
D8/10, 11, 90, 94; 15/1.7, 114–115,
15/117, 121, 143.1, 160, 171–172, 236.01,
15/236.02, 236.07, 236.08, 236.09, 244.1,
15/244.4; 401/202, 206, 268, 270
CPC A46B 9/02; A46B 2200/104; A46B
2200/1046; A46B 2200/102; A46B 17/04;
A46B 5/02; A46B 5/021; A46B 5/026;
A46B 13/001; A46B 13/02; A46B 15/0075;
A46B 7/042; B08B 1/002; B08B 1/04
See application file for complete search history.

- (56) **References Cited**
U.S. PATENT DOCUMENTS
4,783,868 A * 11/1988 O’Callaghan A46B 15/00
15/1.7
D307,517 S * 5/1990 Mallory D4/116
D351,948 S * 11/1994 Getchell D4/118
D404,923 S * 2/1999 Diaz D4/115

- 5,983,431 A * 11/1999 Meshulam E04H 4/1609
15/1.7
- D445,572 S * 7/2001 Rowell D4/133
- 6,301,737 B1 * 10/2001 Morse E04H 4/1609
15/1.7
- D511,046 S * 11/2005 Berti D4/199
- D553,862 S * 10/2007 Gregg D4/121
- D563,107 S * 3/2008 Folden D4/116
- D572,487 S * 7/2008 Miller D4/118
- D645,624 S * 9/2011 Rossano D32/33
- 8,024,833 B2 * 9/2011 Fuller A46B 5/0095
15/1.7
- D648,498 S * 11/2011 Rossano D32/33
- D664,772 S * 8/2012 Rossano D4/132
- D692,197 S * 10/2013 Rossano D32/33
- D737,056 S * 8/2015 Vasilakes D4/135
- 2004/0060129 A1 * 4/2004 Juett A46B 17/08
15/1.7
- 2004/0255427 A1 * 12/2004 Gavney, Jr. A46B 9/005
15/1.7
- 2010/0017987 A1 * 1/2010 Lyons A46B 5/00
15/160

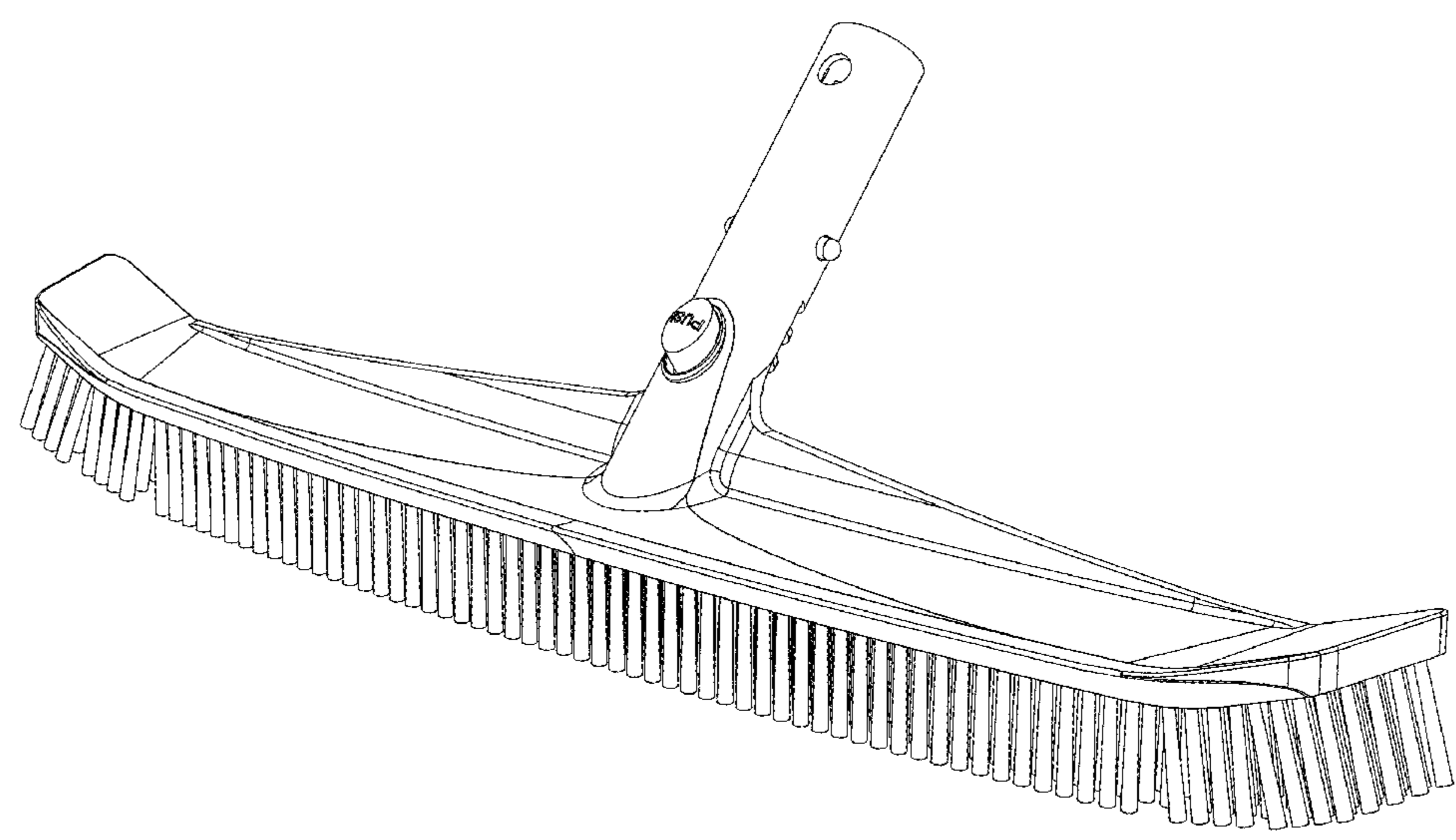
* cited by examiner
Primary Examiner — Cynthia Ramirez
Assistant Examiner — Llorellys Martinez-Rivera
(74) *Attorney, Agent, or Firm* — Hodgson Russ LLP

(57) **CLAIM**
The ornamental design for a pool wall brush, as shown and described.

DESCRIPTION

FIG. 1 is an isometric view of a pool wash brush showing my new design;
FIG. 2 is a front elevational view thereof;
FIG. 3 is a rear elevational view thereof;
FIG. 4 is a right side elevational view thereof;
FIG. 5 is a left side elevational view thereof;
FIG. 6 is a top plan view thereof; and,
FIG. 7 is a bottom plan view thereof.

1 Claim, 7 Drawing Sheets



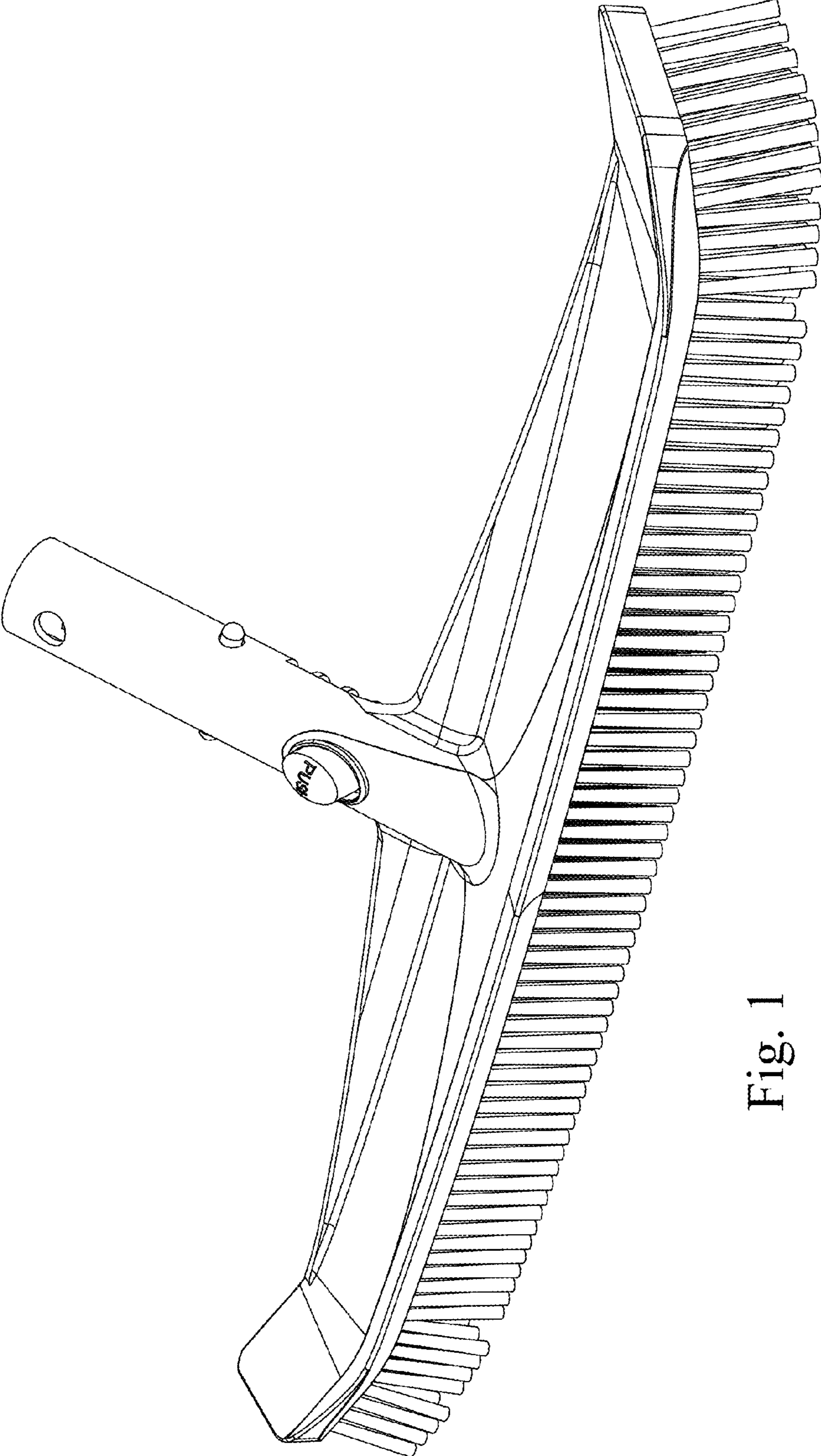


Fig. 1

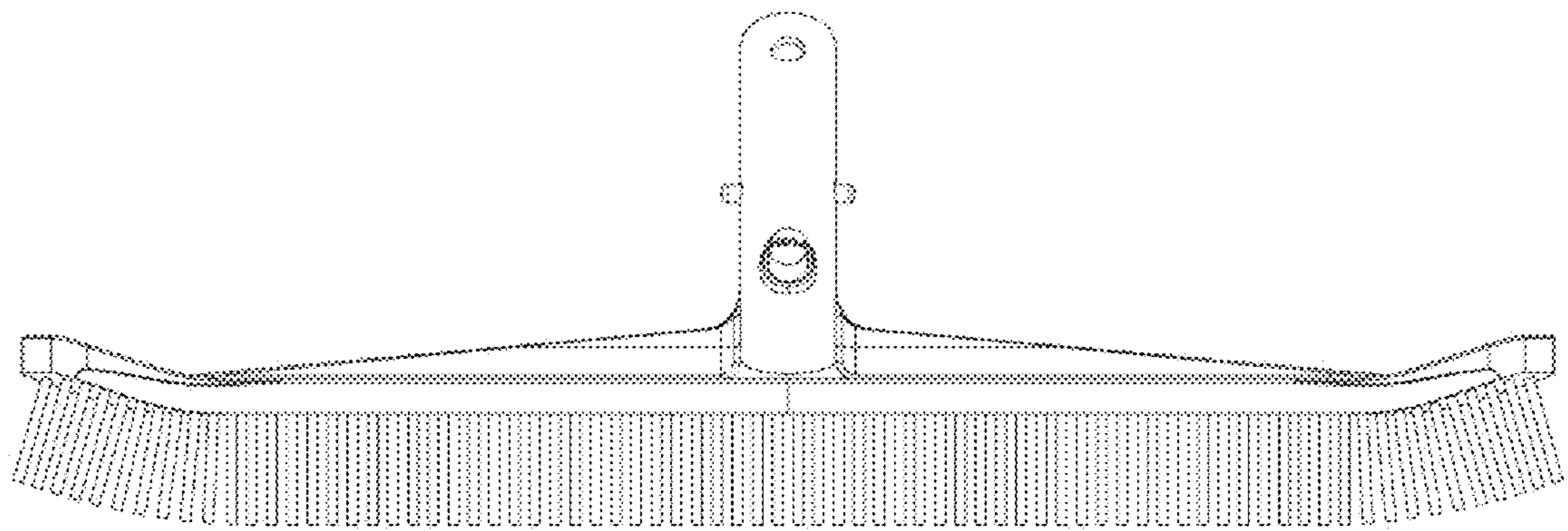


Fig. 2

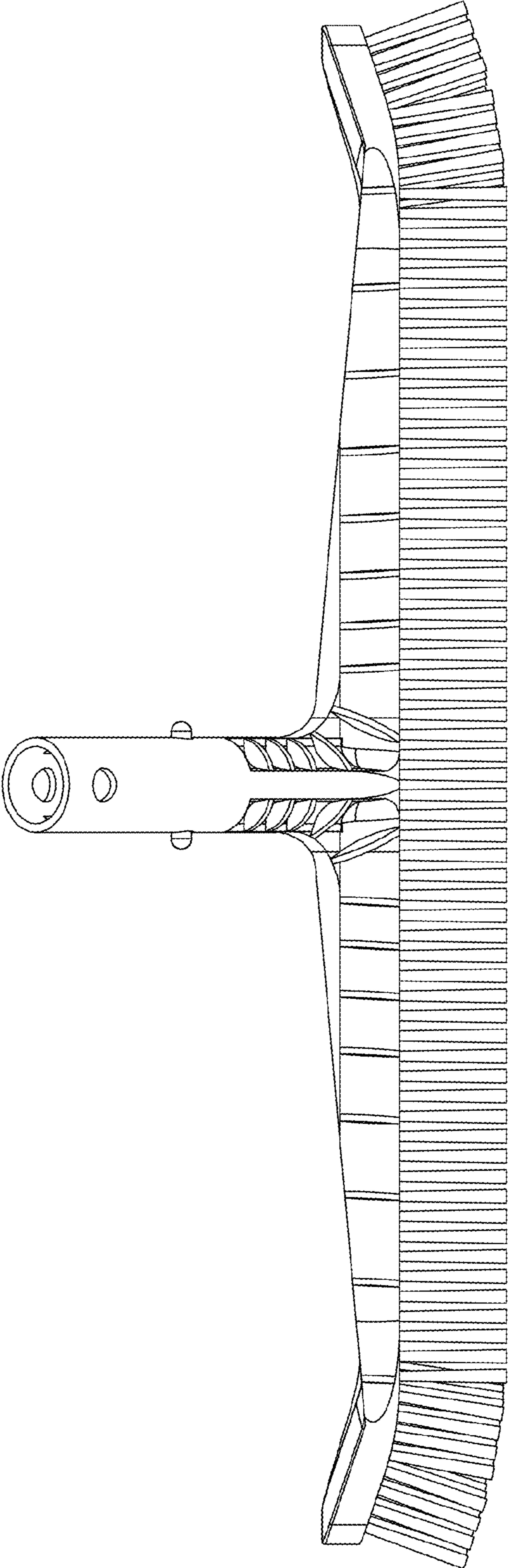


Fig. 3

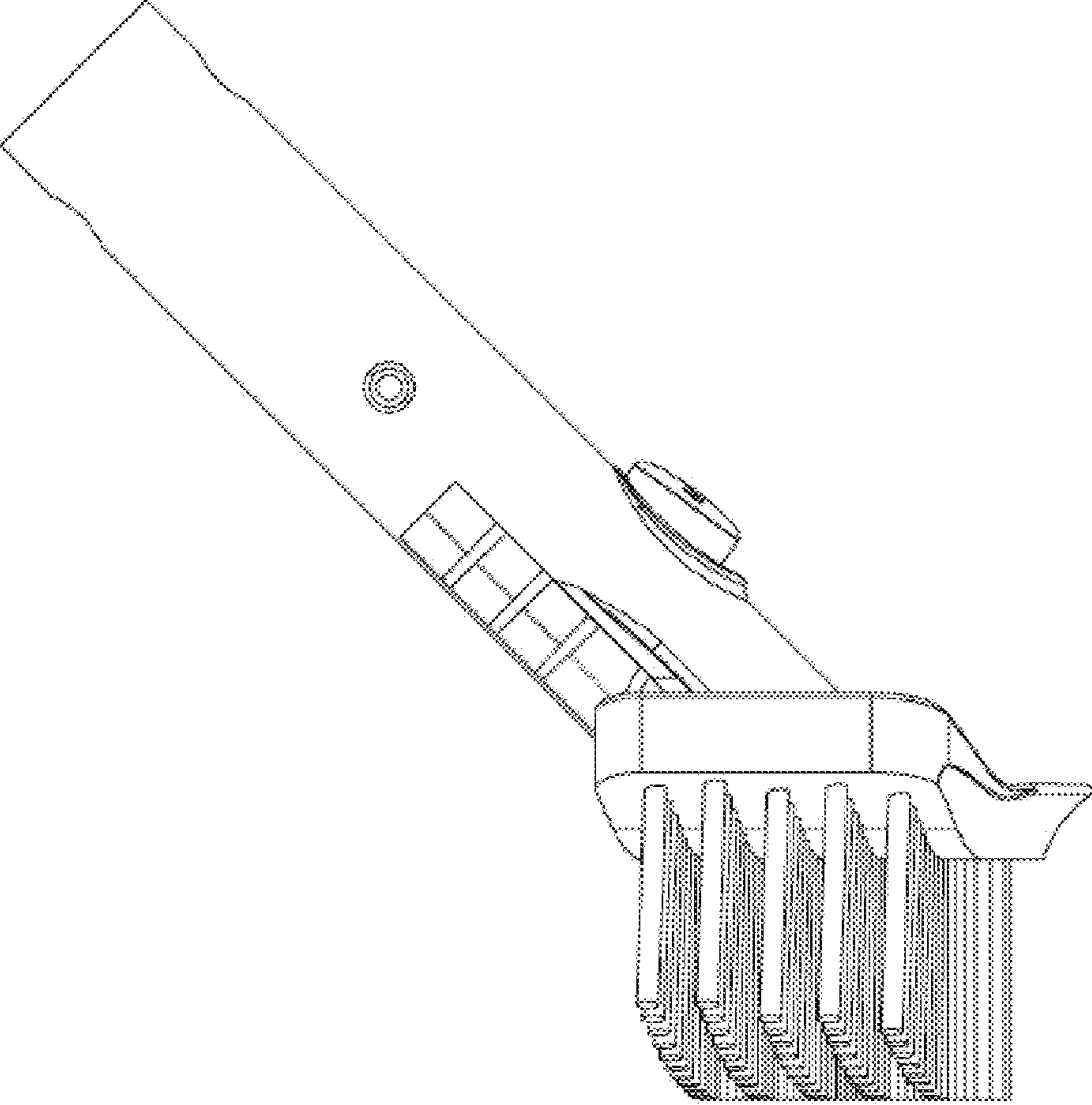


Fig. 4

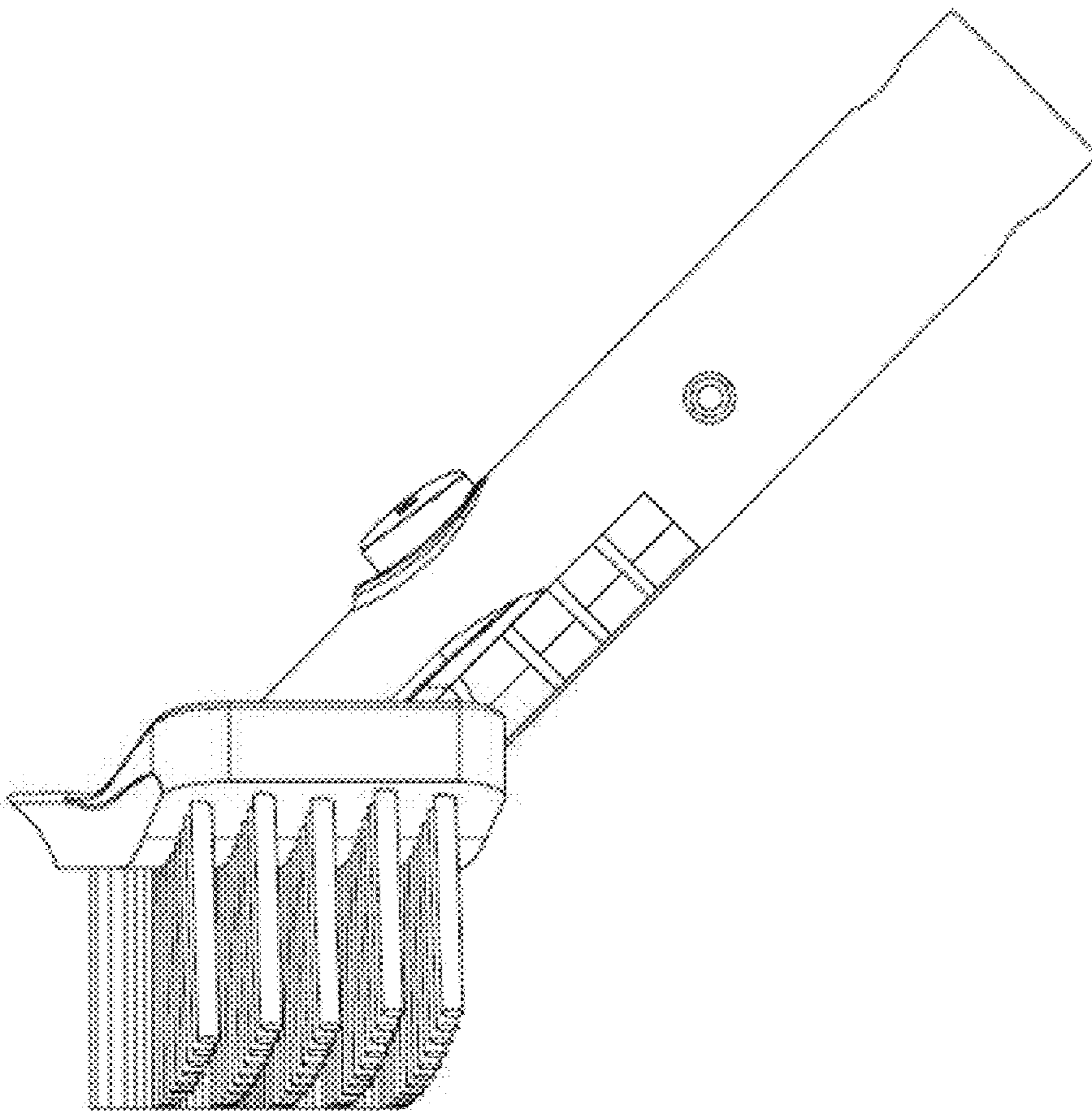


Fig. 5

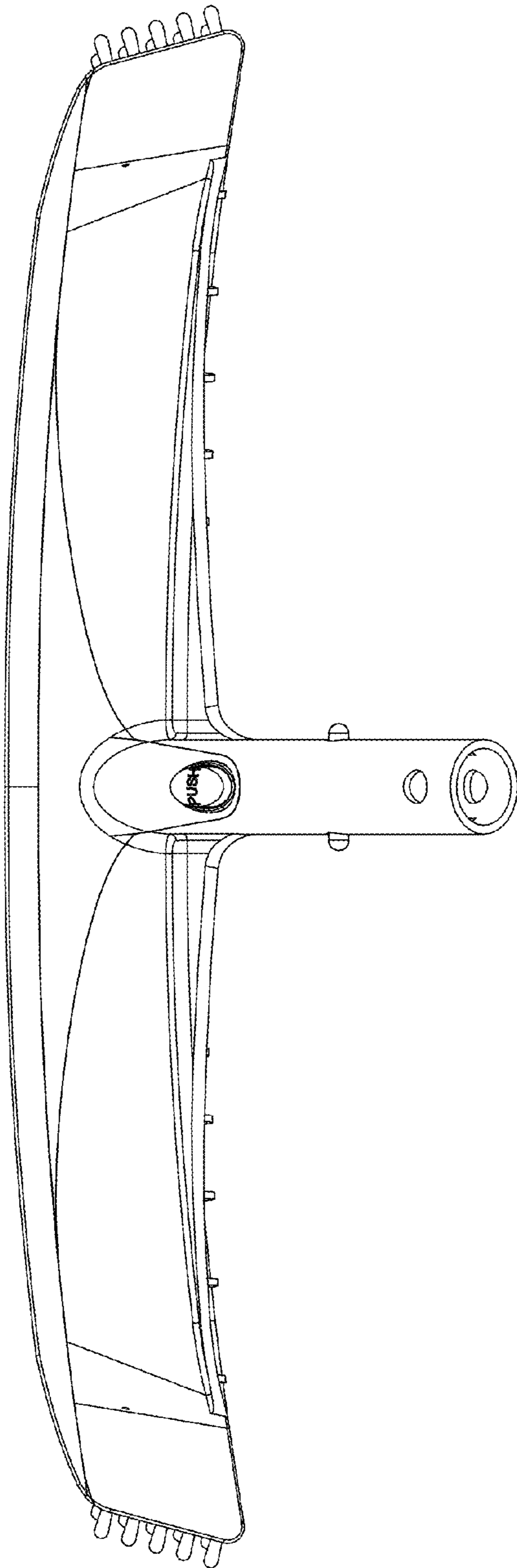


Fig. 6

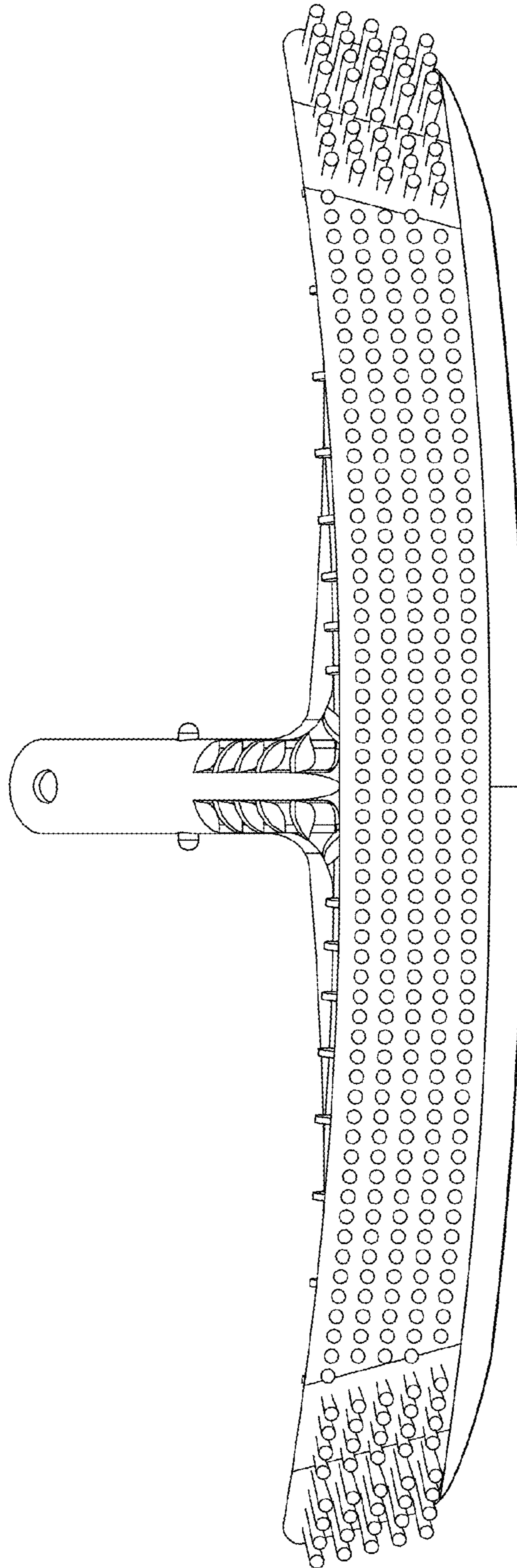


Fig. 7