



US00D747883S

(12) **United States Design Patent**
Rackston

(10) **Patent No.:** **US D747,883 S**

(45) **Date of Patent:** **** Jan. 26, 2016**

(54) **FLOSS-DISPENSING TOOTHBRUSH DEVICE**

(71) Applicant: **Dadrian L. Rackston**, Coco, FL (US)

(72) Inventor: **Dadrian L. Rackston**, Coco, FL (US)

(**) Term: **14 Years**

(21) Appl. No.: **29/496,178**

(22) Filed: **Jul. 10, 2014**

(51) **LOC (10) Cl.** **04-02**

(52) **U.S. Cl.**
USPC **D4/108**

(58) **Field of Classification Search**
USPC D4/104–113; D24/152, 176;
15/167.1–167.2; D28/66, 68
CPC .. A45D 44/18; A46B 5/0095; A46B 15/0055;
A46B 15/0071; A46B 15/0081; A46B
15/0087; A46B 17/04; A46B 2200/1066;
A46D 1/10; A61C 15/048; A61C 17/34;
A61C 17/222

See application file for complete search history.

(56) **References Cited**

U.S. PATENT DOCUMENTS

D243,187 S *	1/1977	Bennington	D28/68
D272,682 S *	2/1984	Stocchi	D4/110
D272,684 S *	2/1984	Stocchi	D4/110
4,887,621 A	12/1989	Vallieres		
D346,496 S *	5/1994	Berghash	D4/108
D377,121 S *	1/1997	Lee	D4/111
5,676,167 A	10/1997	Garner		
D397,554 S	9/1998	Sprague		
D402,812 S *	12/1998	Goff	D4/108

D407,224 S *	3/1999	Wilson	D4/108
6,766,807 B2	7/2004	Piccolo et al.		
D516,317 S *	3/2006	Wong	D4/108
7,201,172 B2	4/2007	Nanda		
D543,702 S *	6/2007	Geiberger	D4/104
7,237,560 B2	7/2007	Macias et al.		
D634,547 S *	3/2011	Botelho	D4/101
D651,808 S *	1/2012	Nguyen	D4/108
D676,611 S *	2/2013	Martin	D28/66
D687,228 S *	8/2013	Wong	D4/108
D691,377 S *	10/2013	Zarrabi	D28/68
2004/0237995 A1	12/2004	Mualem et al.		

* cited by examiner

Primary Examiner — Keli L Hill

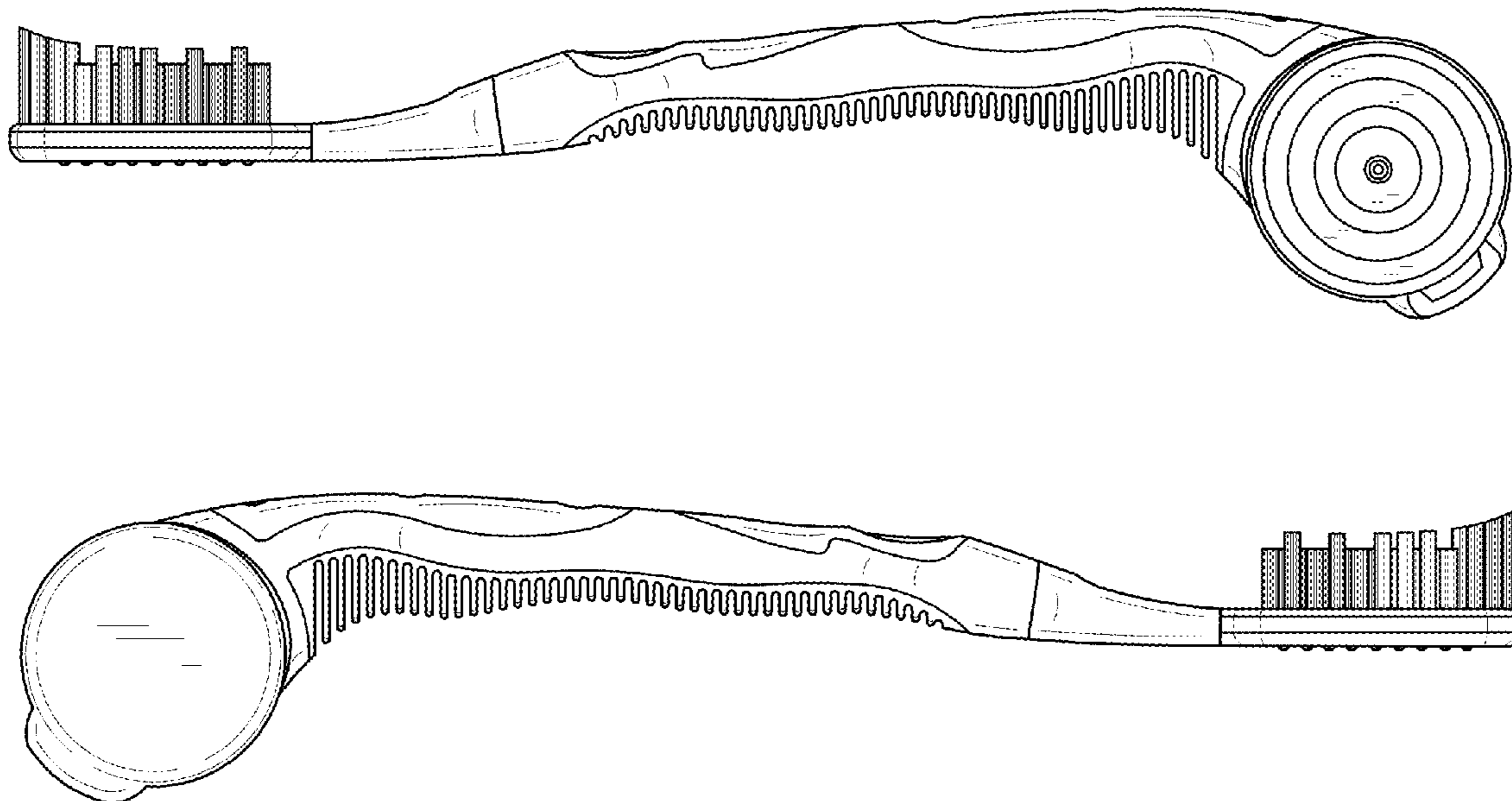
(57) **CLAIM**

The ornamental design for a floss-dispensing toothbrush device, as shown and described.

DESCRIPTION

FIG. 1 is a side view of a floss-dispensing toothbrush device showing my new design;
 FIG. 2 is a side view of the floss-dispensing toothbrush device;
 FIG. 3 is a top view of the floss-dispensing toothbrush device;
 FIG. 4 is a bottom view of the floss-dispensing toothbrush device;
 FIG. 5 is a front view of the floss-dispensing toothbrush device;
 FIG. 6 is a rear view of the floss-dispensing toothbrush device; and,
 FIG. 7 is a top front side perspective view of the floss-dispensing toothbrush device.

1 Claim, 3 Drawing Sheets



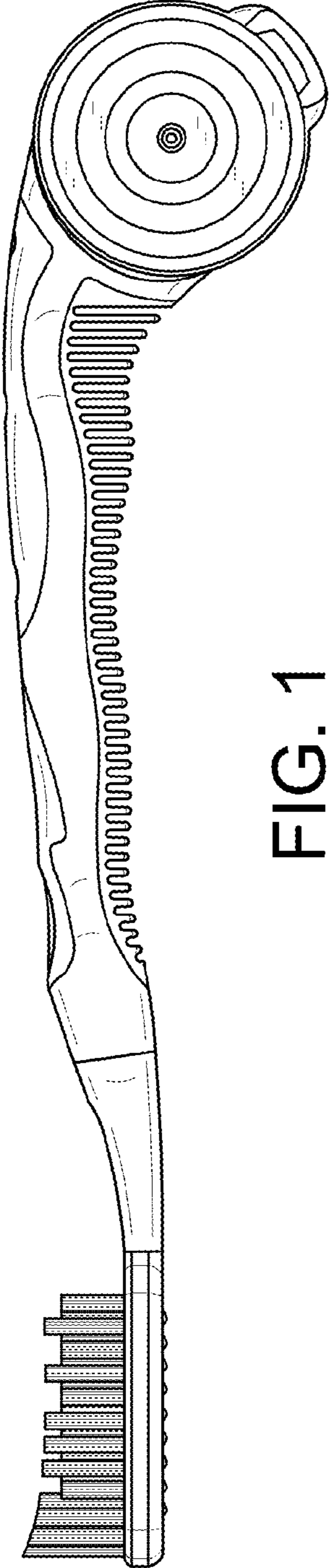


FIG. 1

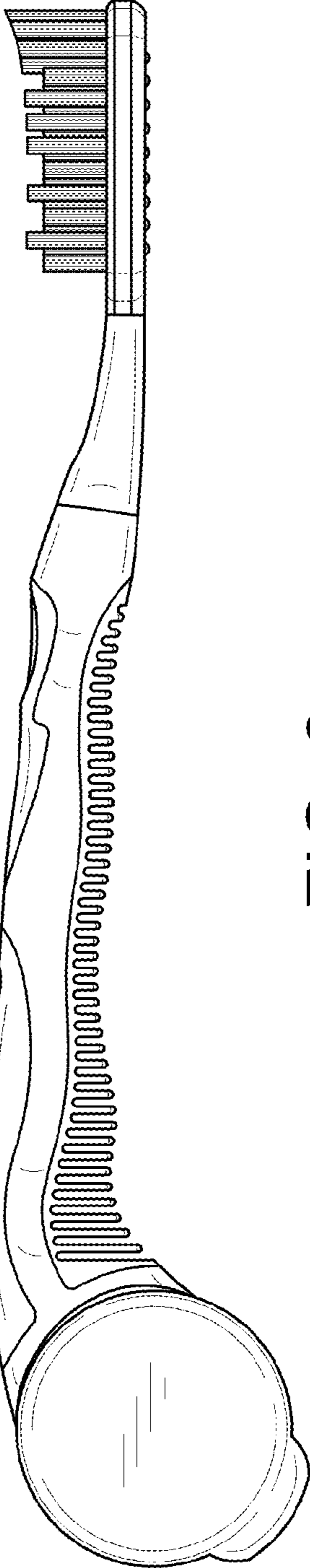


FIG. 2

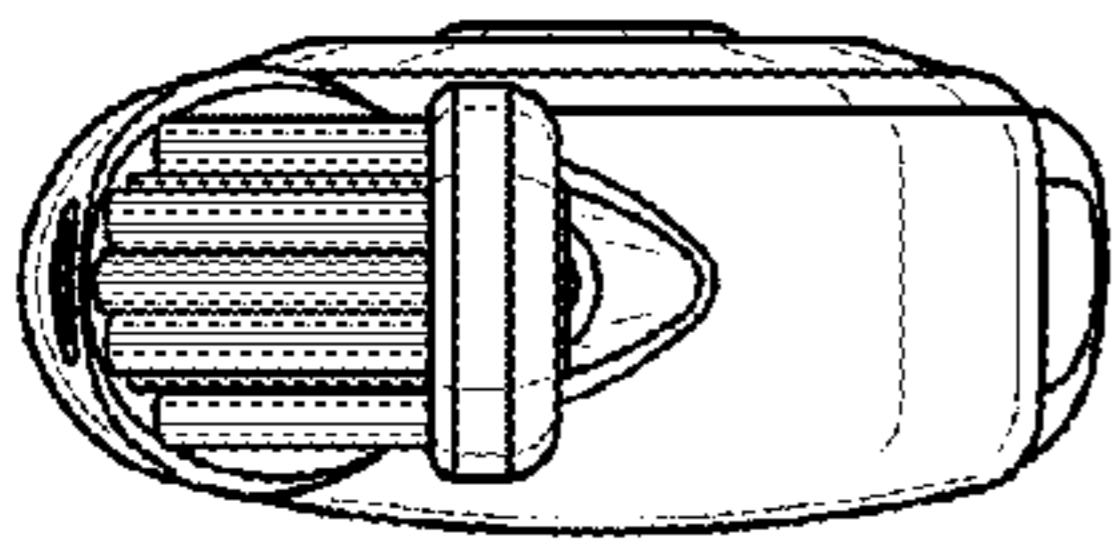


FIG. 3

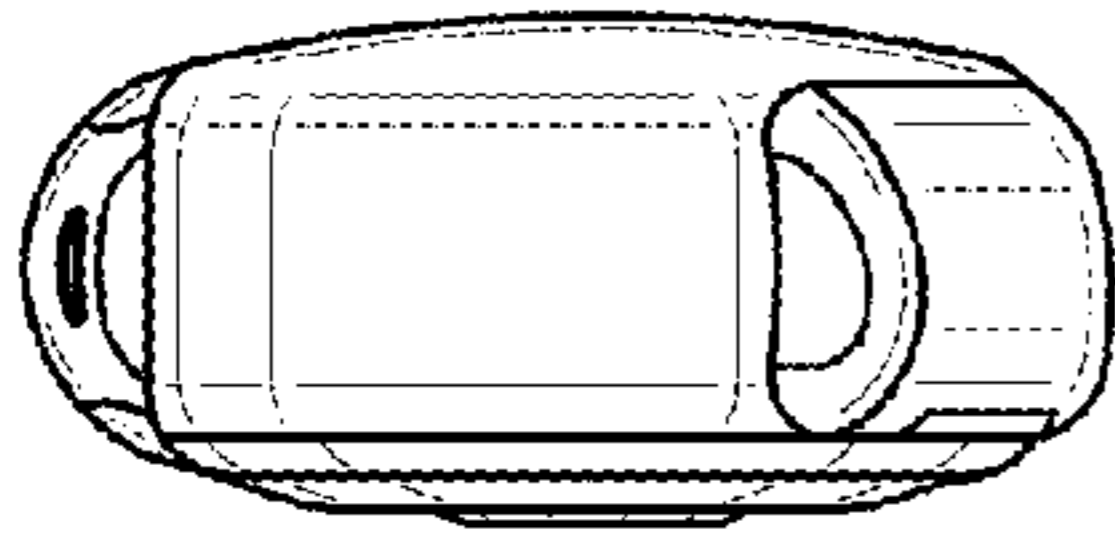


FIG. 4

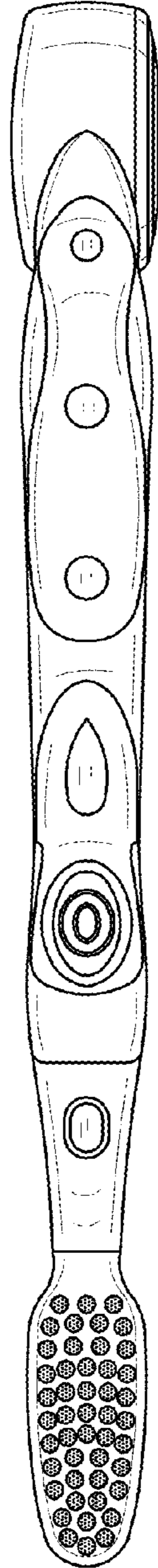


FIG. 5

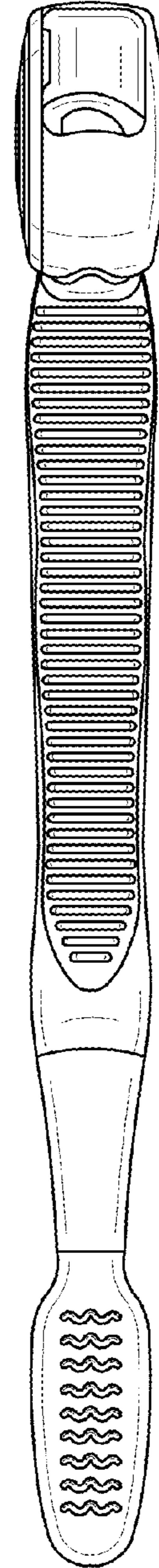


FIG. 6

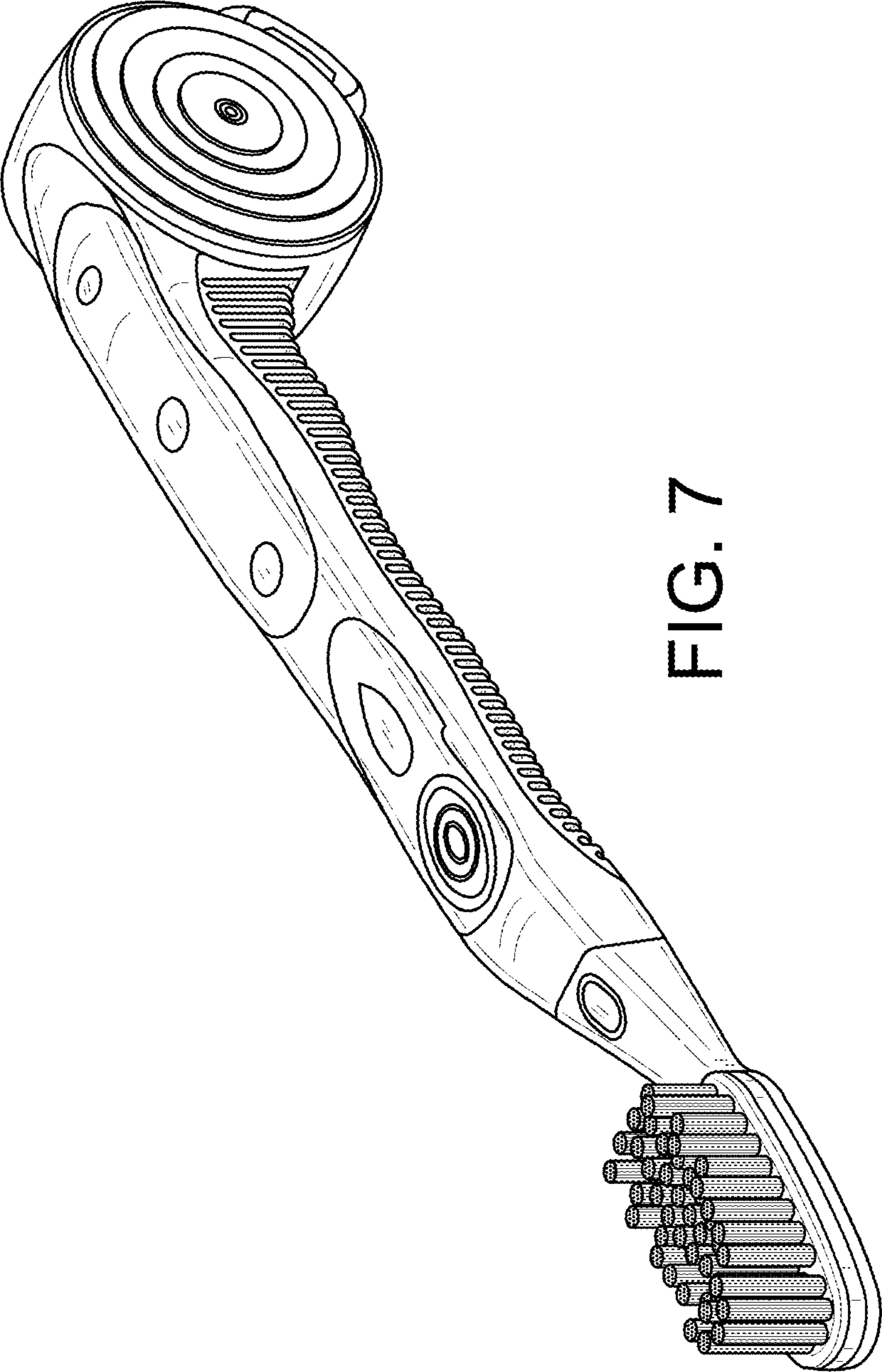


FIG. 7