



US00D747879S

(12) **United States Design Patent**
Fair et al.

(10) **Patent No.:** **US D747,879 S**
(45) **Date of Patent:** **** Jan. 26, 2016**

- (54) **CORD GRIPPING HANDLE**
- (71) Applicant: **Thule Organization Solutions, Inc.**,
Niwot, CO (US)
- (72) Inventors: **Paul Fair**, Denver, CO (US); **Jamie Kummerfeld**, Greeley, CO (US)
- (73) Assignee: **Thule Organization Solutions, Inc.**,
Niwot, CO (US)
- (**) Term: **14 Years**

- 6,695,183 B2 2/2004 Hancock et al.
- 6,902,089 B2 6/2005 Carnevali
- D516,402 S 3/2006 Gates et al.
- D519,183 S 4/2006 Minneman
- D547,643 S 7/2007 Ratajczek et al.
- 7,337,934 B2 3/2008 Alling et al.
- D605,578 S 12/2009 Retief
- 7,681,768 B2 3/2010 Gates et al.
- D617,532 S 6/2010 Zeller et al.
- D626,494 S 11/2010 Gates et al.
- D627,033 S 11/2010 Hicks
- D637,949 S 5/2011 Farber
- D651,153 S 12/2011 Branaman et al.
- D698,888 S 2/2014 Hicks

(21) Appl. No.: **29/495,275**

(22) Filed: **Jun. 30, 2014**

Related U.S. Application Data

(63) Continuation-in-part of application No. 29/404,925,
filed on Oct. 26, 2011, now Pat. No. Des. 711,307.

(51) **LOC (10) Cl.** **03-01**

(52) **U.S. Cl.**
USPC **D3/318**

(58) **Field of Classification Search**
USPC D3/218, 227, 232–233, 239, 240–243,
D3/249, 289, 301, 303, 318, 323, 327, 328,
D3/900; D8/97, 107, 300, 303, 313, 314,
D8/321; D15/5, 18
CPC Y10T 24/2586; Y10T 24/2589; Y10T
24/257; Y10T 24/25; A44B 19/262; A44B
19/26; A44B 19/00; A41F 1/008; A41D
2300/322; A45C 11/324
See application file for complete search history.

(56) **References Cited**

U.S. PATENT DOCUMENTS

- 3,158,284 A * 11/1964 Henchert et al. 220/752
- D297,074 S * 8/1988 Burke et al. D3/328
- D314,864 S * 2/1991 Creed D3/328
- D426,246 S 6/2000 Hennessy et al.
- D476,290 S 6/2003 Gates et al.

(Continued)

OTHER PUBLICATIONS

U.S. Appl. No. 29/404,925, filed Oct. 26, 2011, Fair.
Notification of the Decision to Grant Patent for Chinese Patent Appli-
cation No. 201230133715.6 dated Oct. 30 2012 4 pages.

Notification of the Decision to Grant Patent for Chinese Patent Appli-
cation No. 201230133764.X dated Nov. 16 2012 4 pages.

(Continued)

Primary Examiner — Robert M Spear

Assistant Examiner — Eliza Bennett-Hattan

(74) *Attorney, Agent, or Firm* — Sheridan Ross P.C.

(57) **CLAIM**

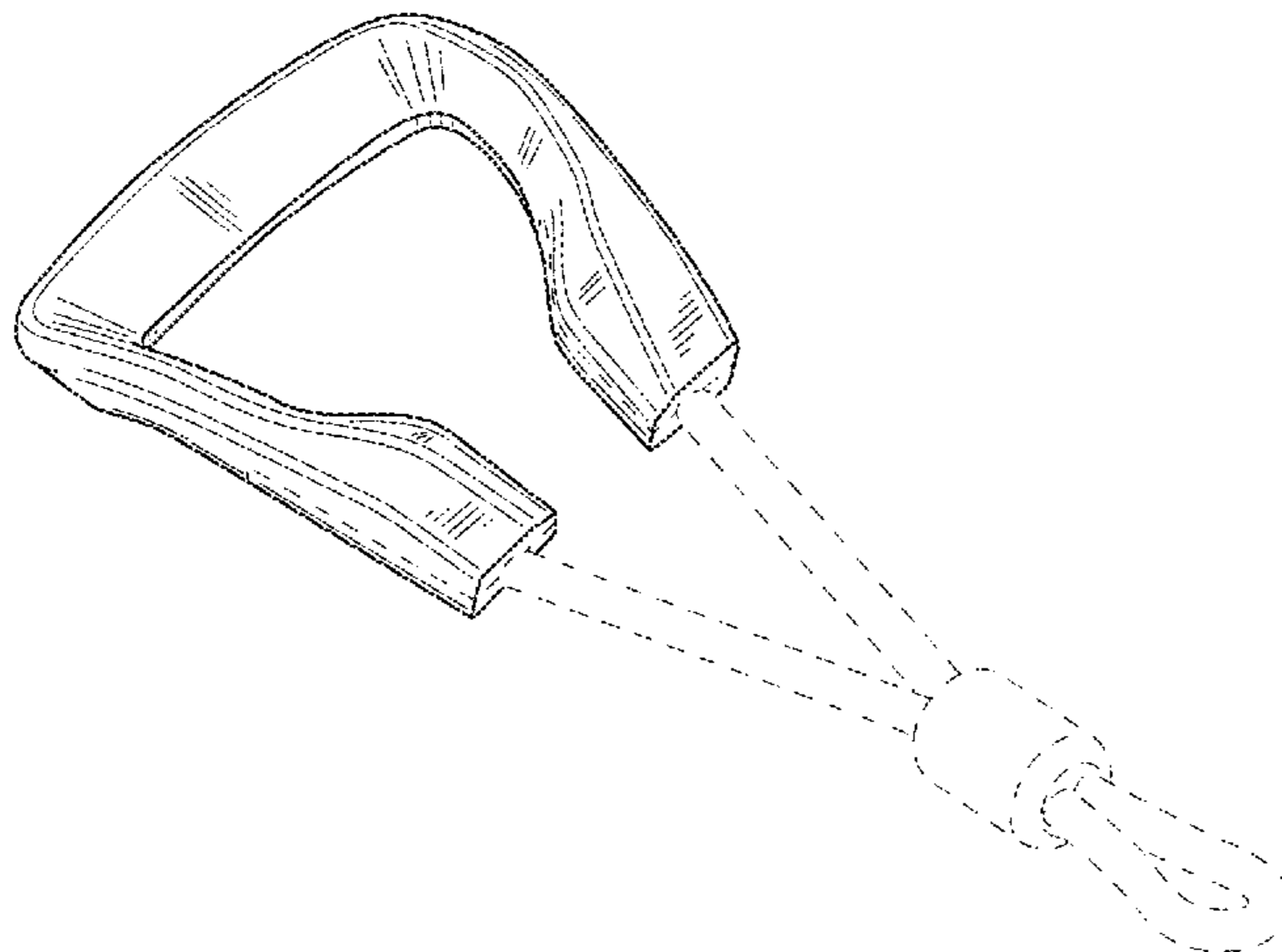
The ornamental design for a cord gripping handle, as shown
and described.

DESCRIPTION

FIG. 1 is a front perspective view of the cord gripping handle;
FIG. 2 is a top plan view thereof;
FIG. 3 is a front elevation view thereof;
FIG. 4 is a right elevation view thereof;
FIG. 5 is a bottom plan view thereof; and,
FIG. 6 is a rear elevation view thereof.

The broken lines are included for the purpose of illustrating
environment and form no part of the claimed design.

1 Claim, 3 Drawing Sheets



(56)

References Cited

U.S. PATENT DOCUMENTS

8,657,127	B2	2/2014	Diaz, Jr. et al.	
D709,290	S *	7/2014	Dervishi	D3/318
D709,432	S	7/2014	Fair	
D713,234	S *	9/2014	Gates et al.	D8/303
2003/0168121	A1 *	9/2003	Smith et al.	141/392
2004/0113041	A1	6/2004	Hancock et al.	

OTHER PUBLICATIONS

Official Action for U.S. Appl. No. 29/404,925 mailed Jan. 4 2013 5 pages. Restriction Requirement.
Notice of Allowance for U.S. Appl. No. 29/404,925 mailed Mar 26, 2014, 7 pages.
Notice of Allowance for U.S. Appl. No. 29/446,529 mailed Mar. 26, 2014, 6 pages.

* cited by examiner

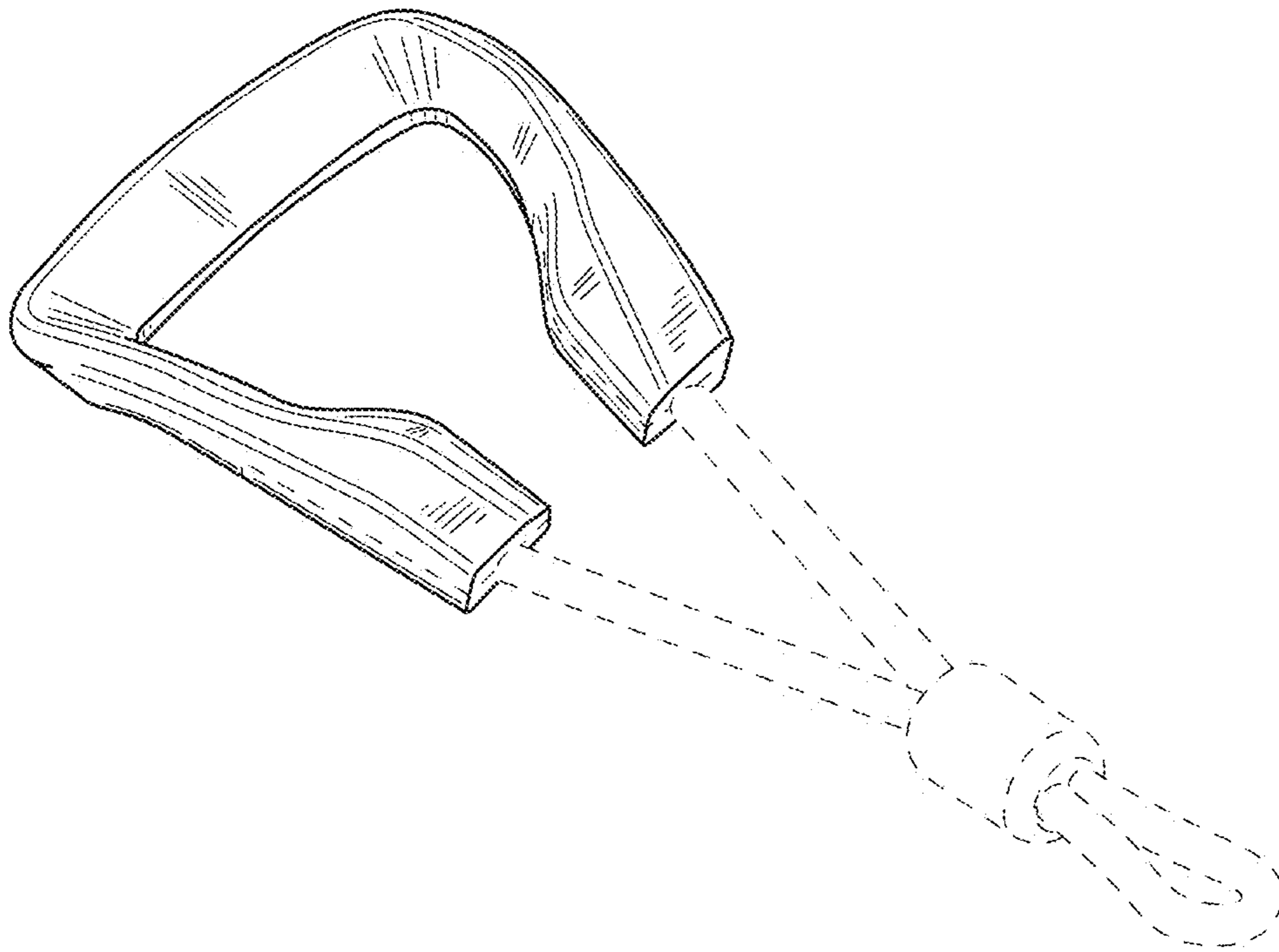


FIG.1

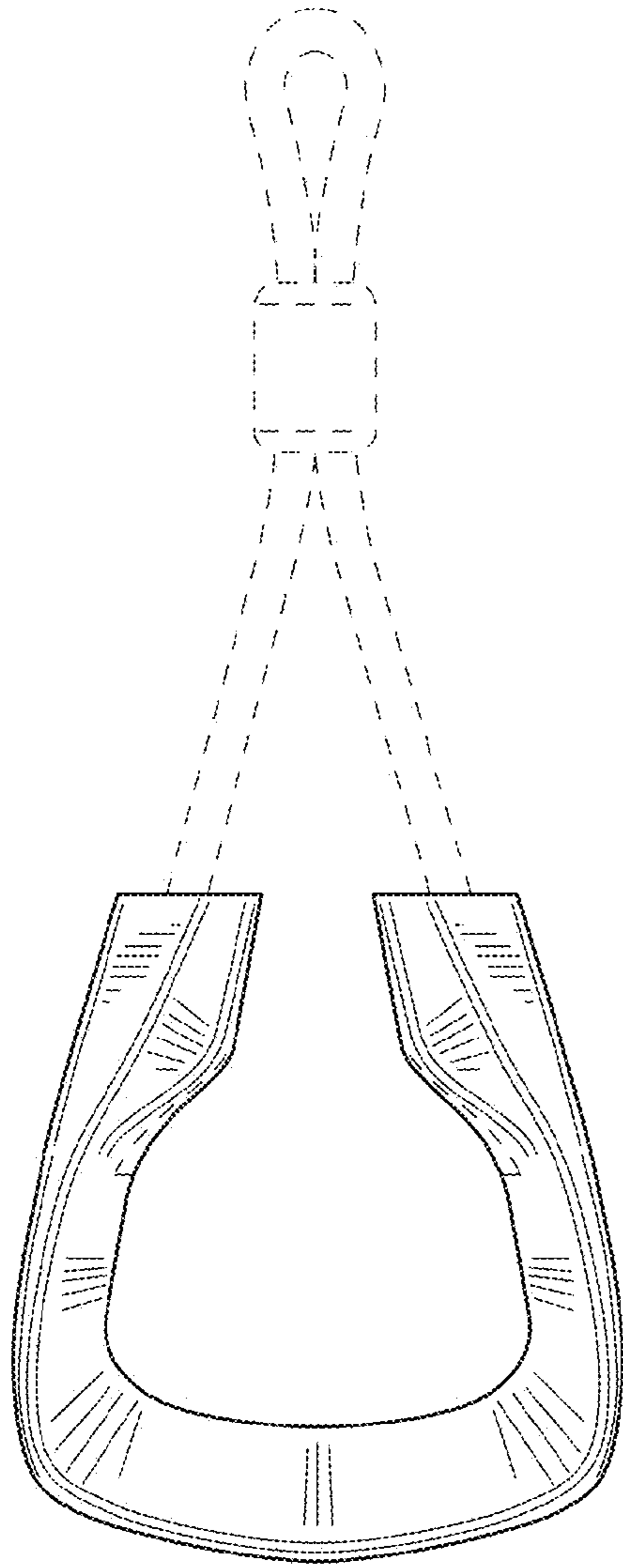


FIG. 2

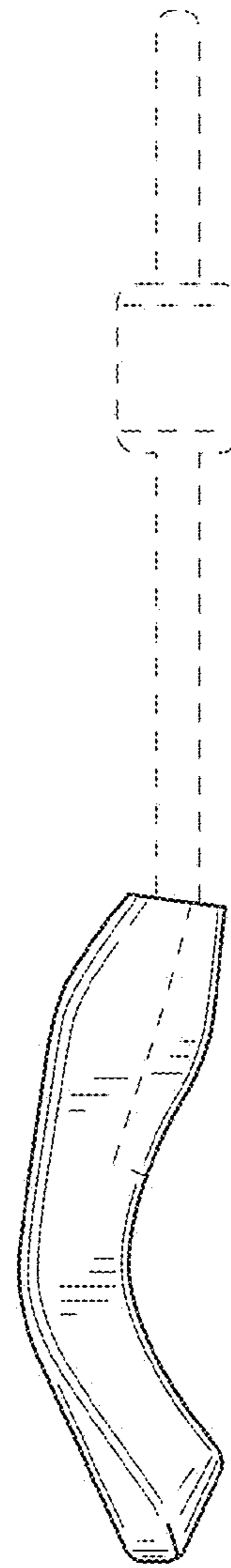


FIG. 4

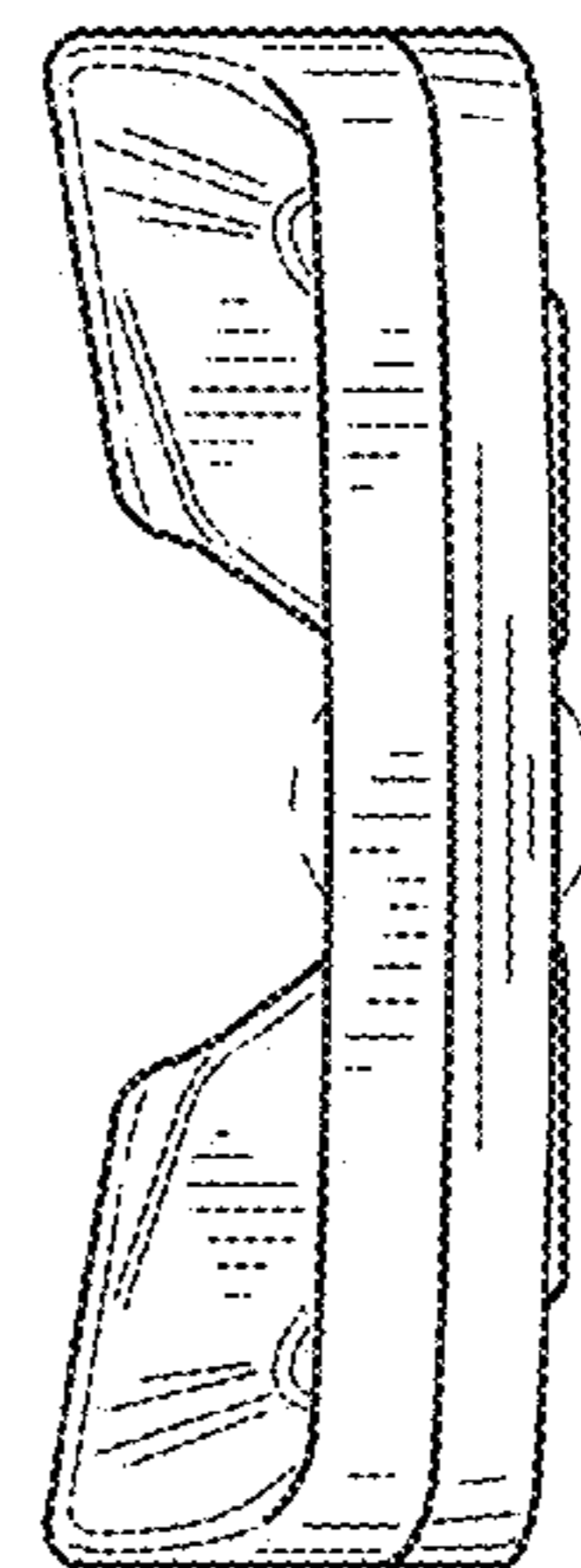


FIG. 3

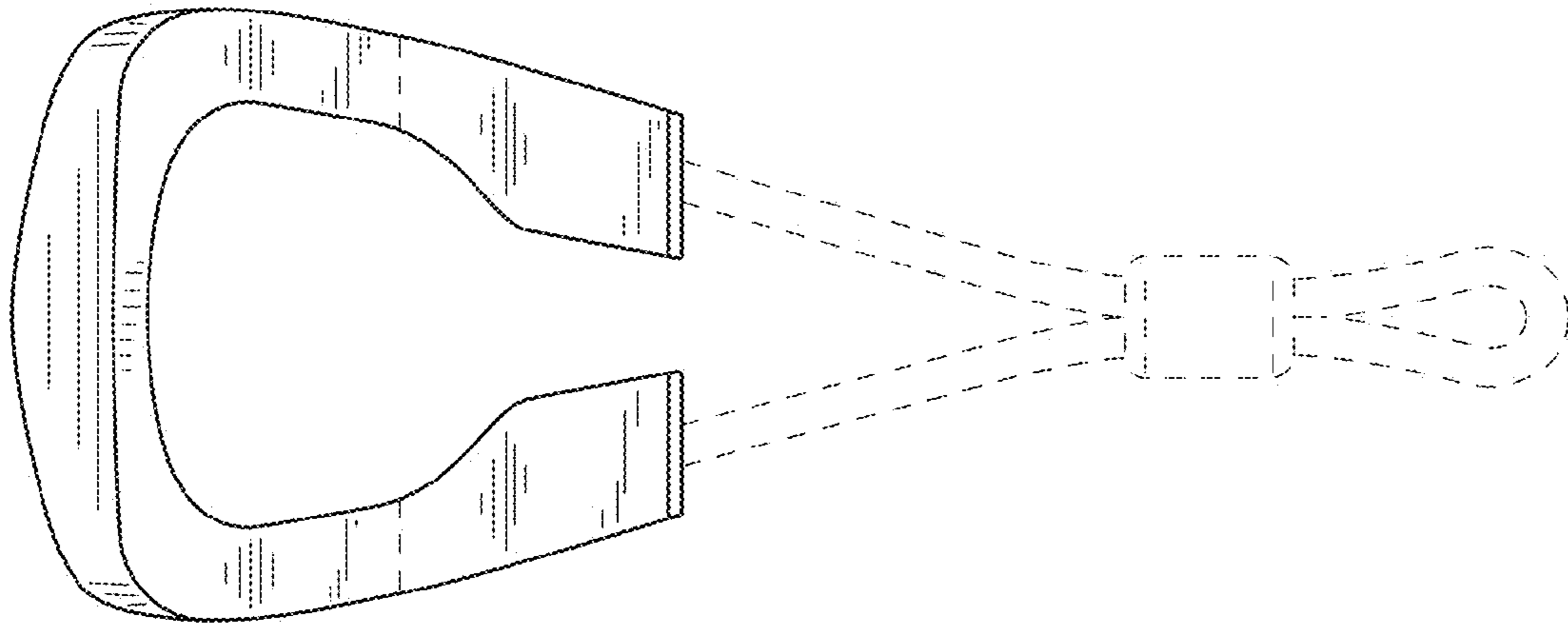


FIG. 5



FIG. 6