



US00D747878S

(12) **United States Design Patent**
Mach et al.

(10) **Patent No.:** **US D747,878 S**

(45) **Date of Patent:** **** Jan. 26, 2016**

(54) **CASE SURFACE**

(71) Applicant: **R.J. Reynolds Tobacco Company**,
Winston-Salem, NC (US)

(72) Inventors: **Hung Mach**, Flushing, NY (US);
Mitchell Tung, Basking Ridge, NJ (US);
Wesley Steven Jones, Lexington, NC
(US); **Donald Leon Robertson**,
Stoneville, NC (US)

(73) Assignee: **R. J. Reynolds Tobacco Company**,
Winston-Salem, NC (US)

(**) Term: **14 Years**

(21) Appl. No.: **29/484,811**

(22) Filed: **Mar. 13, 2014**

(51) **LOC (10) Cl.** **03-01**

(52) **U.S. Cl.**
USPC **D3/318**

(58) **Field of Classification Search**
USPC D3/294, 201, 203, 318
CPC B65D 85/28; H04M 1/00
See application file for complete search history.

(56) **References Cited**

U.S. PATENT DOCUMENTS

6,030,206	A *	2/2000	Shizukuisha et al.	431/328
D431,902	S	10/2000	Mellin		
D527,182	S	8/2006	Ham		
D529,288	S	10/2006	Ham		
D548,969	S	8/2007	Bramley		
D557,497	S *	12/2007	Fedon	D3/247
D566,395	S	4/2008	Langer et al.		
D575,506	S *	8/2008	Huang	D3/247
D584,049	S *	1/2009	Uzelac	D3/247
D619,767	S *	7/2010	Antler	D28/66
D624,304	S	9/2010	Danze et al.		

D635,360	S *	4/2011	Dietrich	D3/247
D661,897	S *	6/2012	Kohler et al.	D3/294
D675,434	S	2/2013	Vernall et al.		
D686,817	S	7/2013	Dennis		
8,477,931	B2 *	7/2013	Thompson et al.	379/451

* cited by examiner

Primary Examiner — Holly Baynham

(74) *Attorney, Agent, or Firm* — Womble Carlyle Sandridge
& Rice, LLP

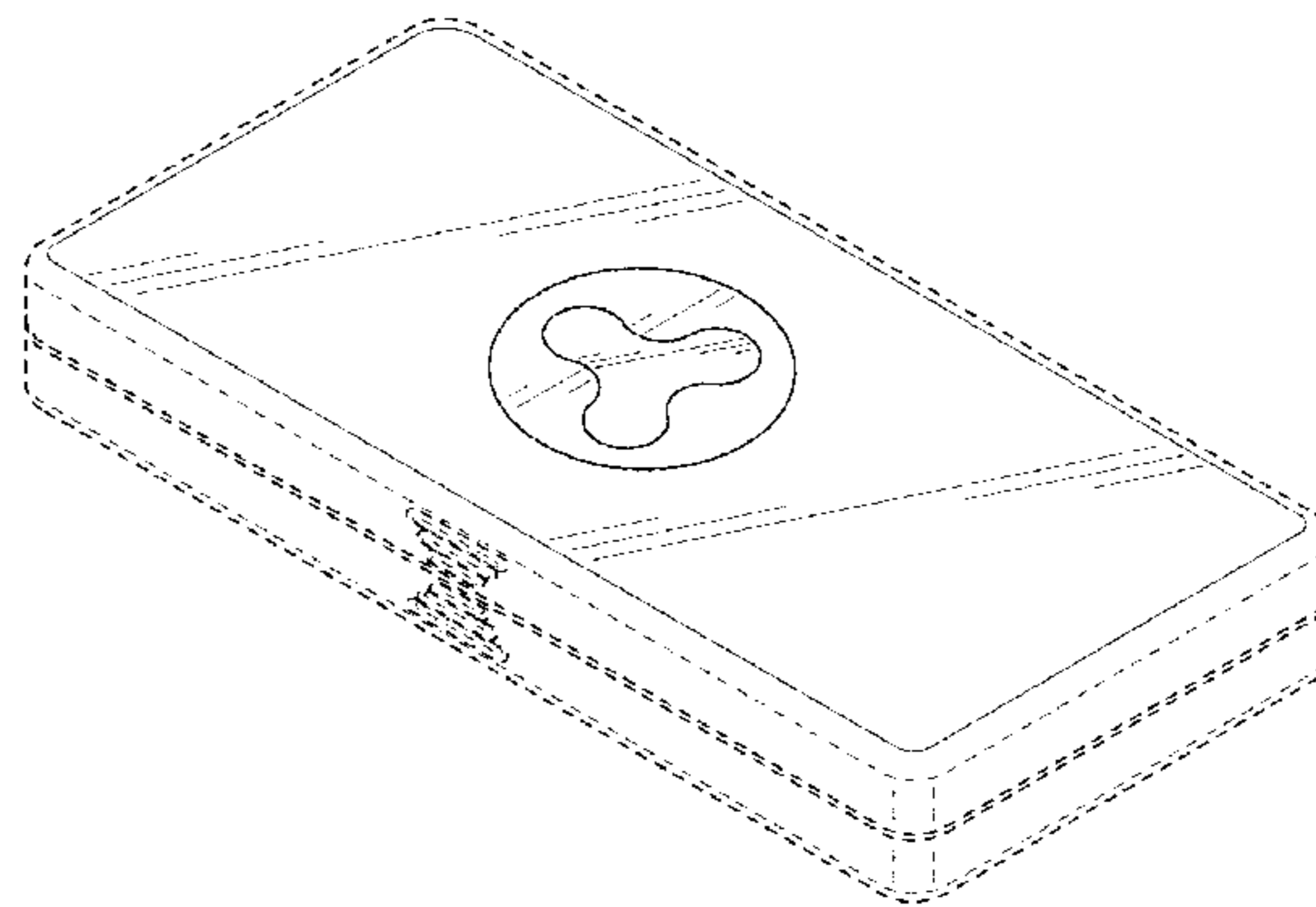
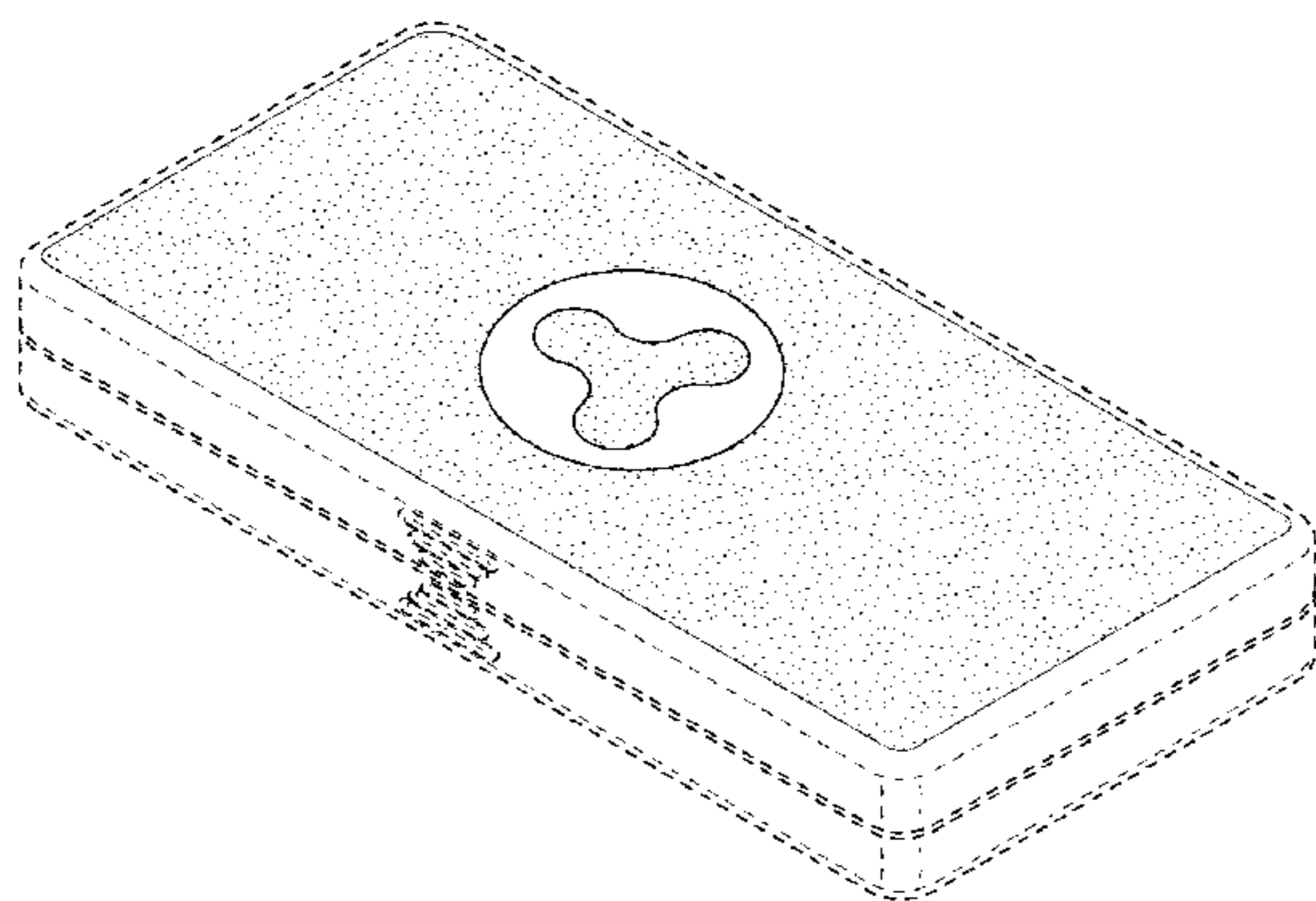
(57) **CLAIM**

The ornamental design for a case surface, as shown and described.

DESCRIPTION

FIG. 1 is a top, front perspective view of the case surface with illustrated matte and glossy finishes;
 FIG. 2 is a top, front perspective view of the case surface with illustrated glossy and matte finishes;
 FIG. 3 is a top, front perspective view of the case surface with illustrated transparent and opaque finishes;
 FIG. 4 is a top, front perspective view of the case surface with illustrated opaque and transparent finishes;
 FIG. 5 is a top, front perspective view of the case surface with illustrated leather and flat finishes;
 FIG. 6 is a top, front perspective view of the case surface with illustrated flat and leather finishes;
 FIG. 7 is a top, front perspective view of the case surface with illustrated wood grain and flat finishes;
 FIG. 8 is a top, front perspective view of the case surface with illustrated flat and wood grain finishes;
 FIG. 9 is a top, front perspective view of the case surface with illustrated metallic and flat finishes; and,
 FIG. 10 is a top, front perspective view of the case surface with illustrated flat and metallic finishes.
 The broken lines shown herein depict environmental subject matter only and form no part of the claimed design.

1 Claim, 10 Drawing Sheets



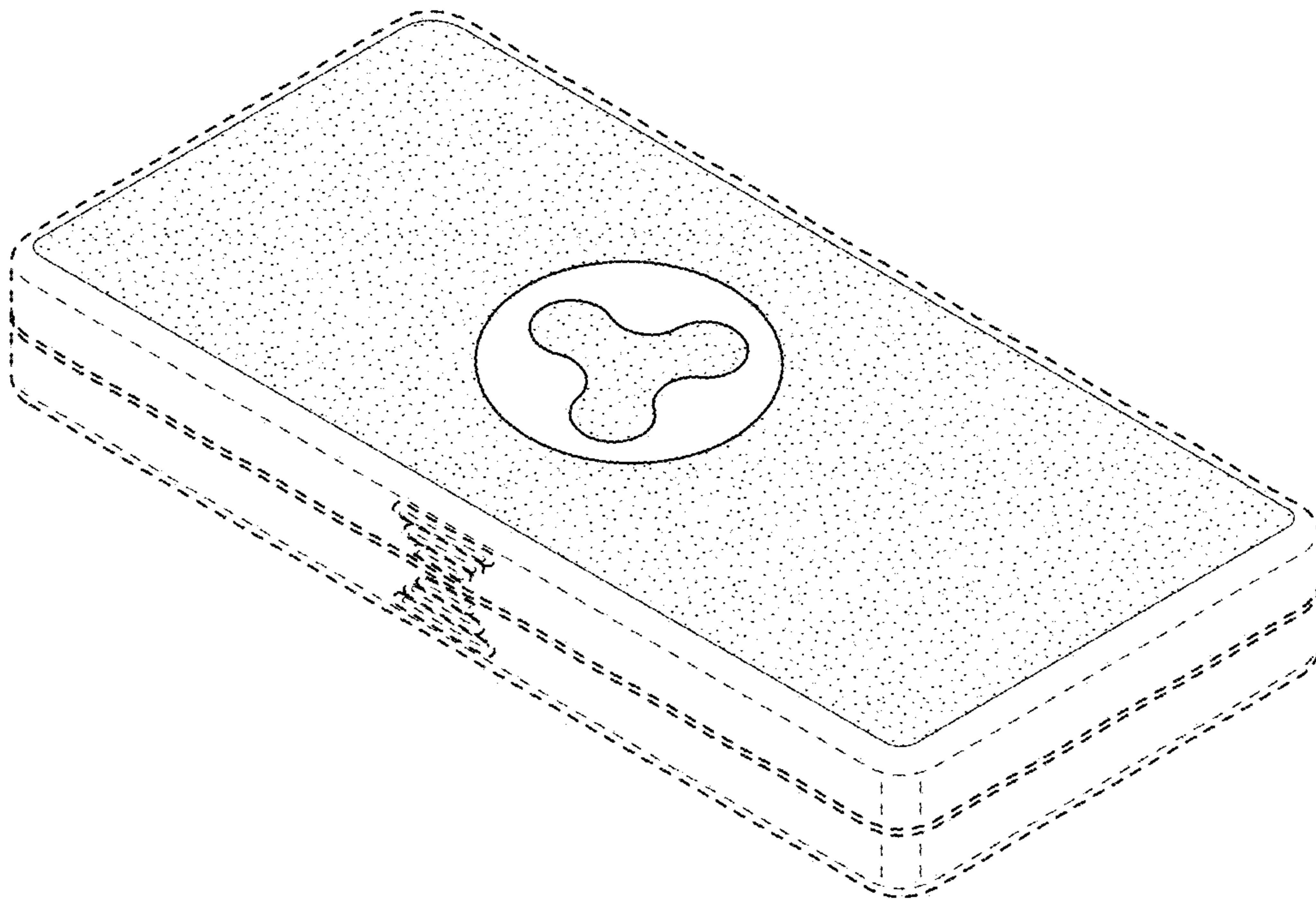


FIG. 1

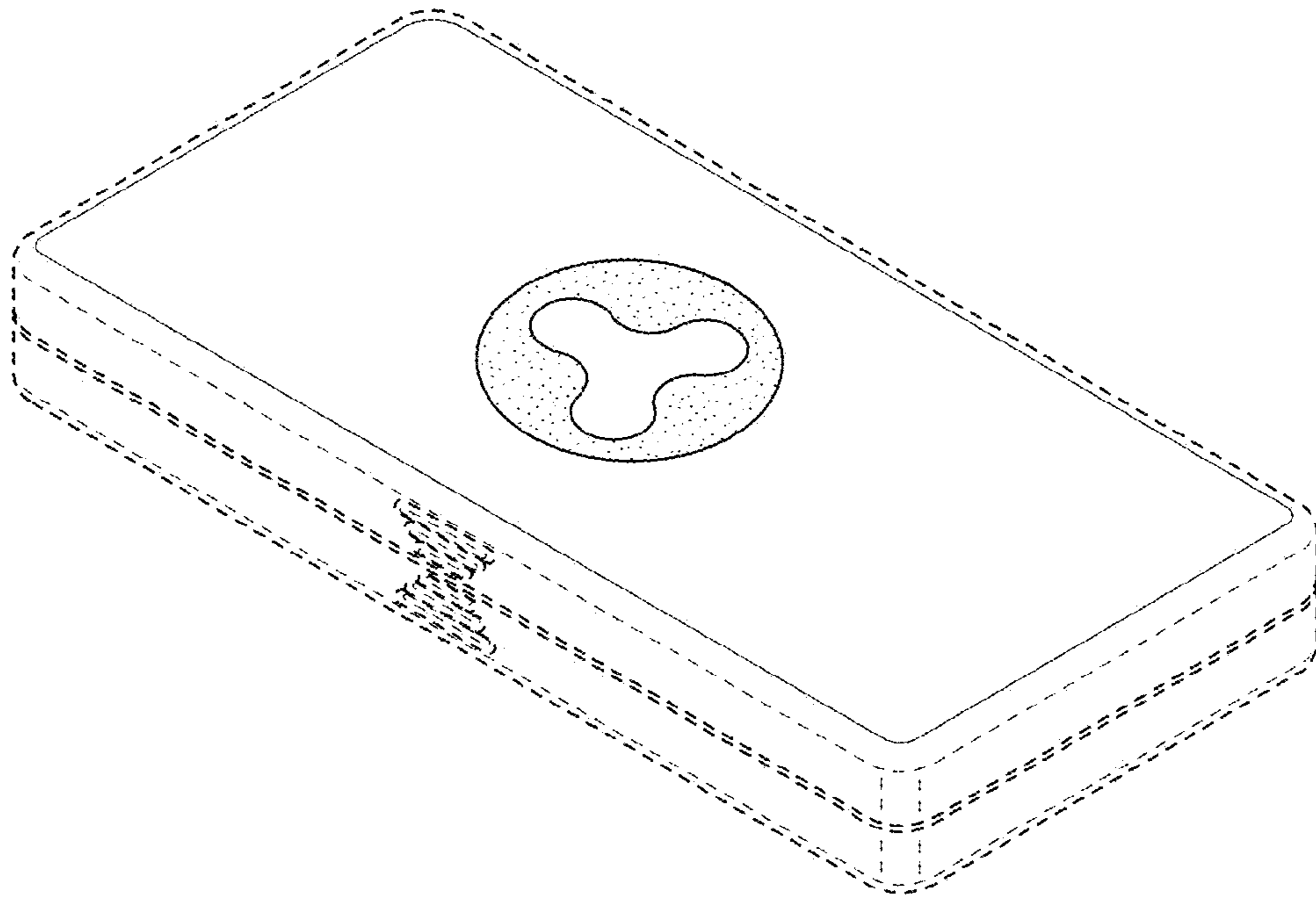


FIG. 2

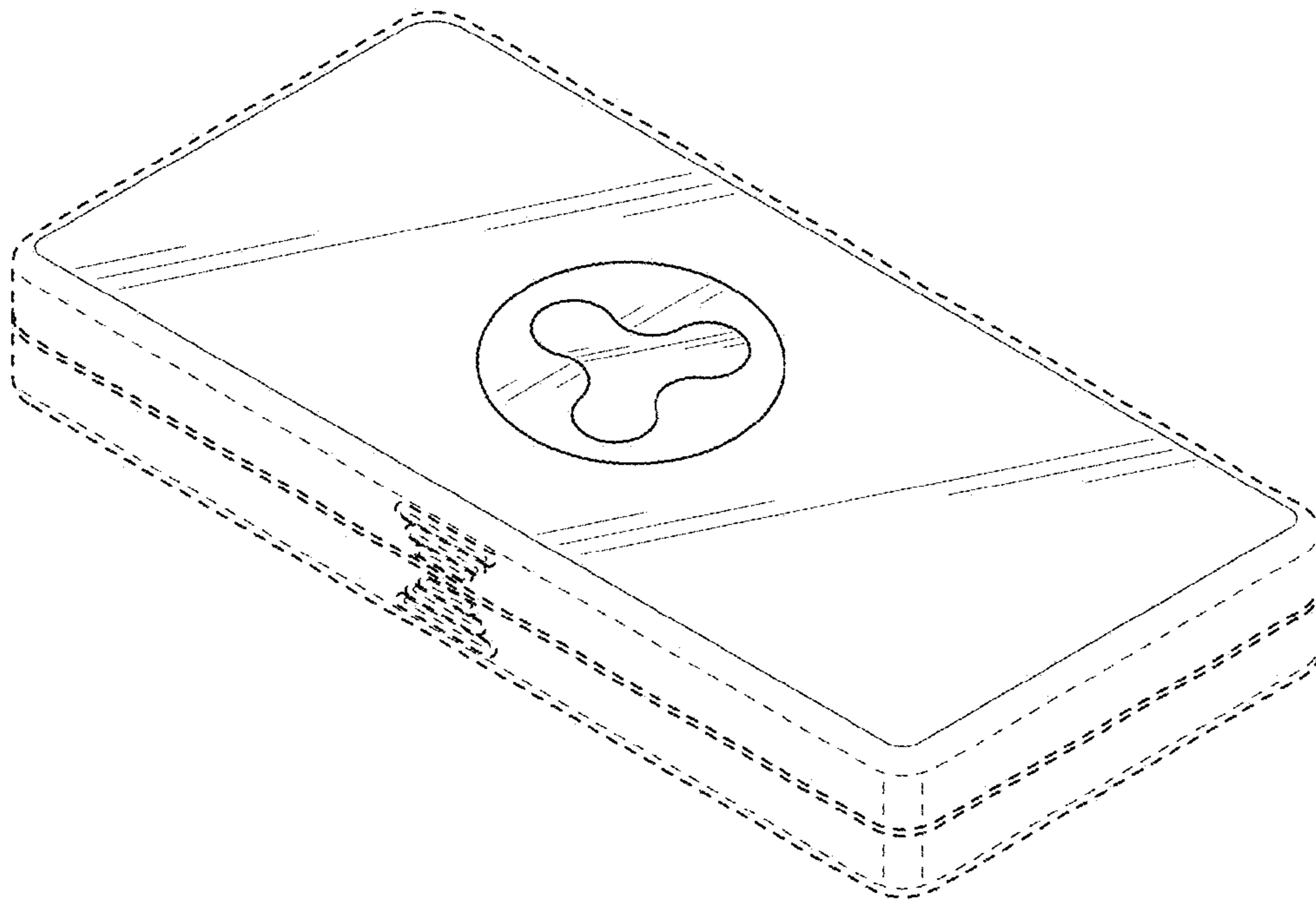


FIG. 3

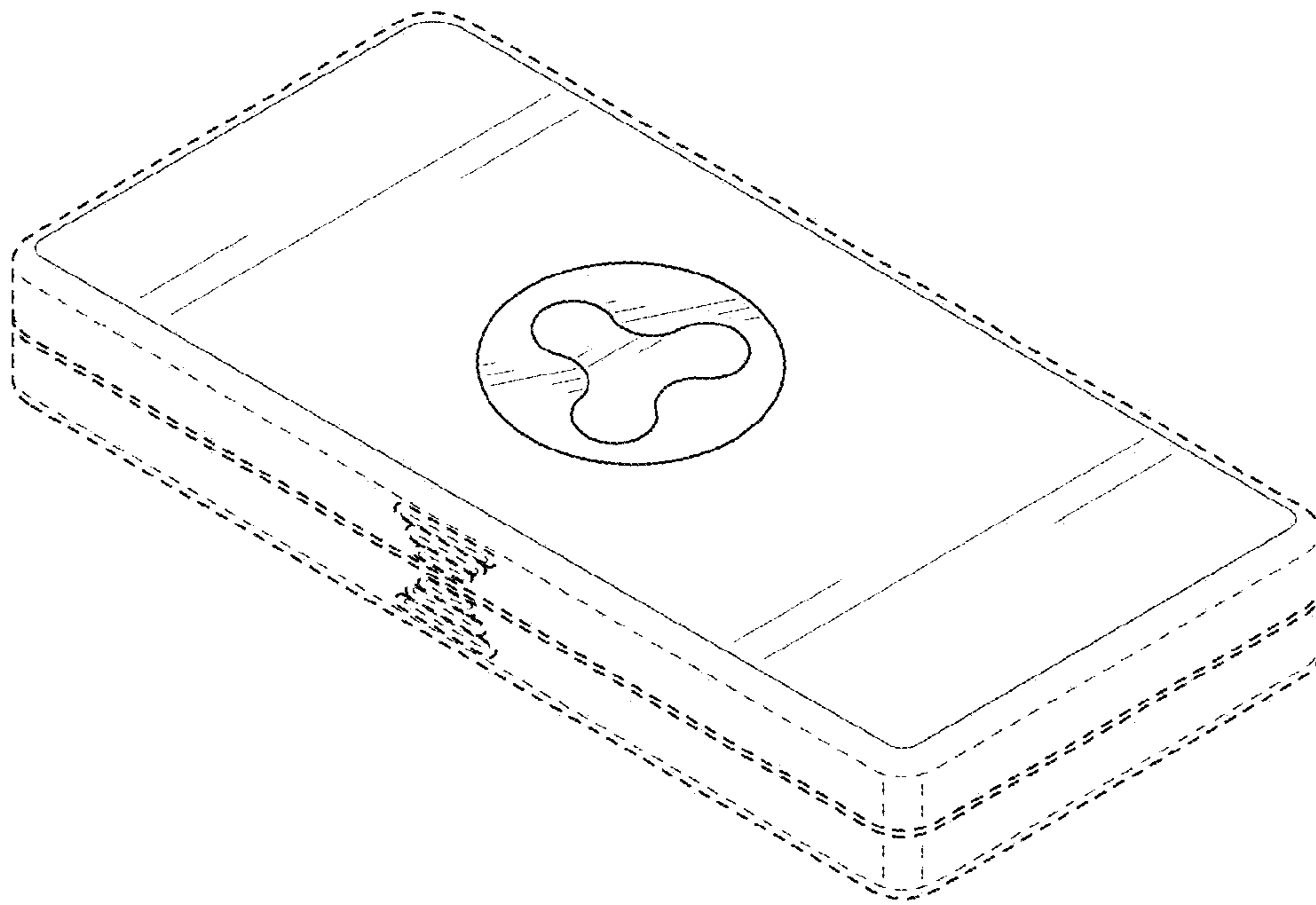


FIG. 4

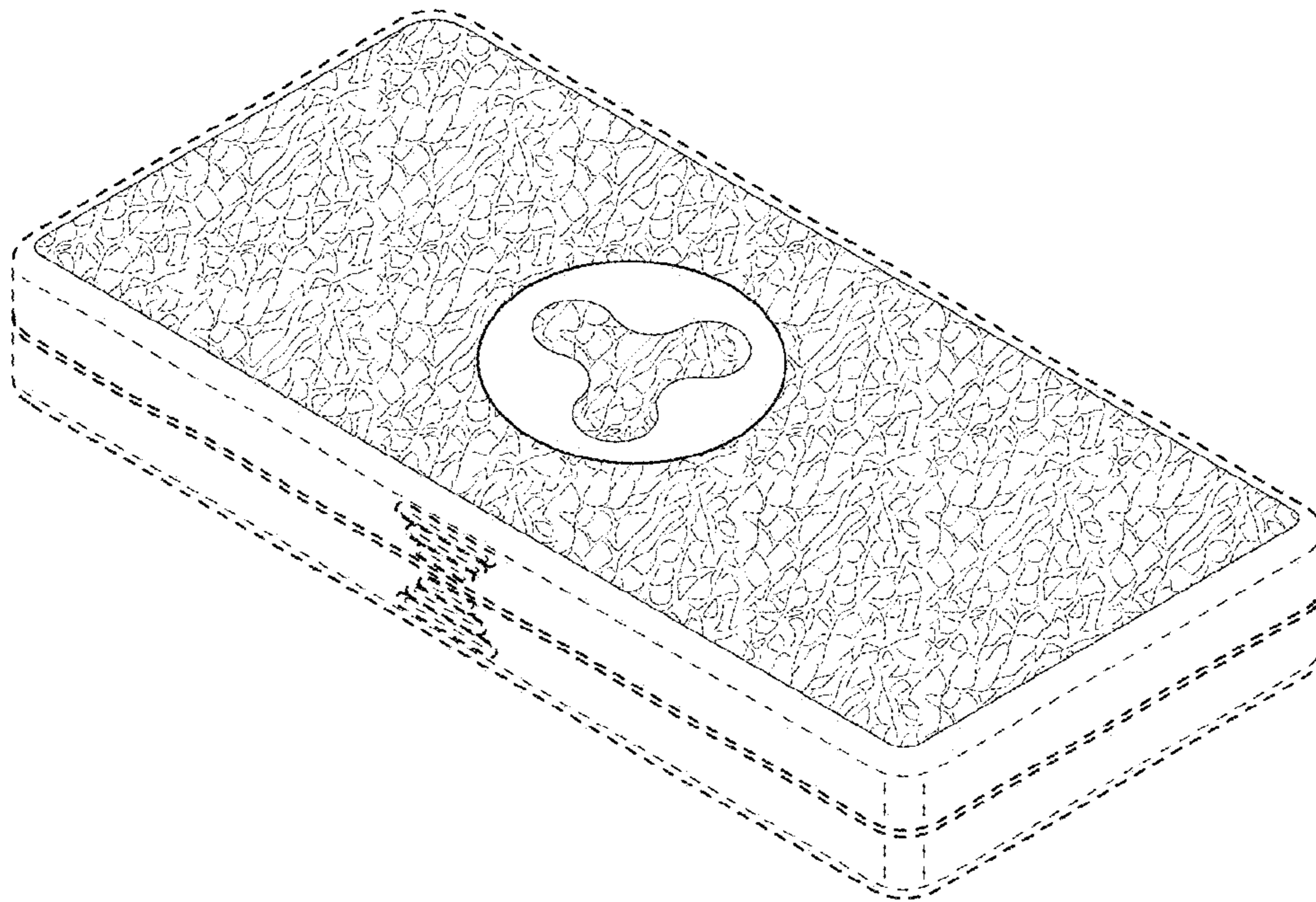


FIG. 5

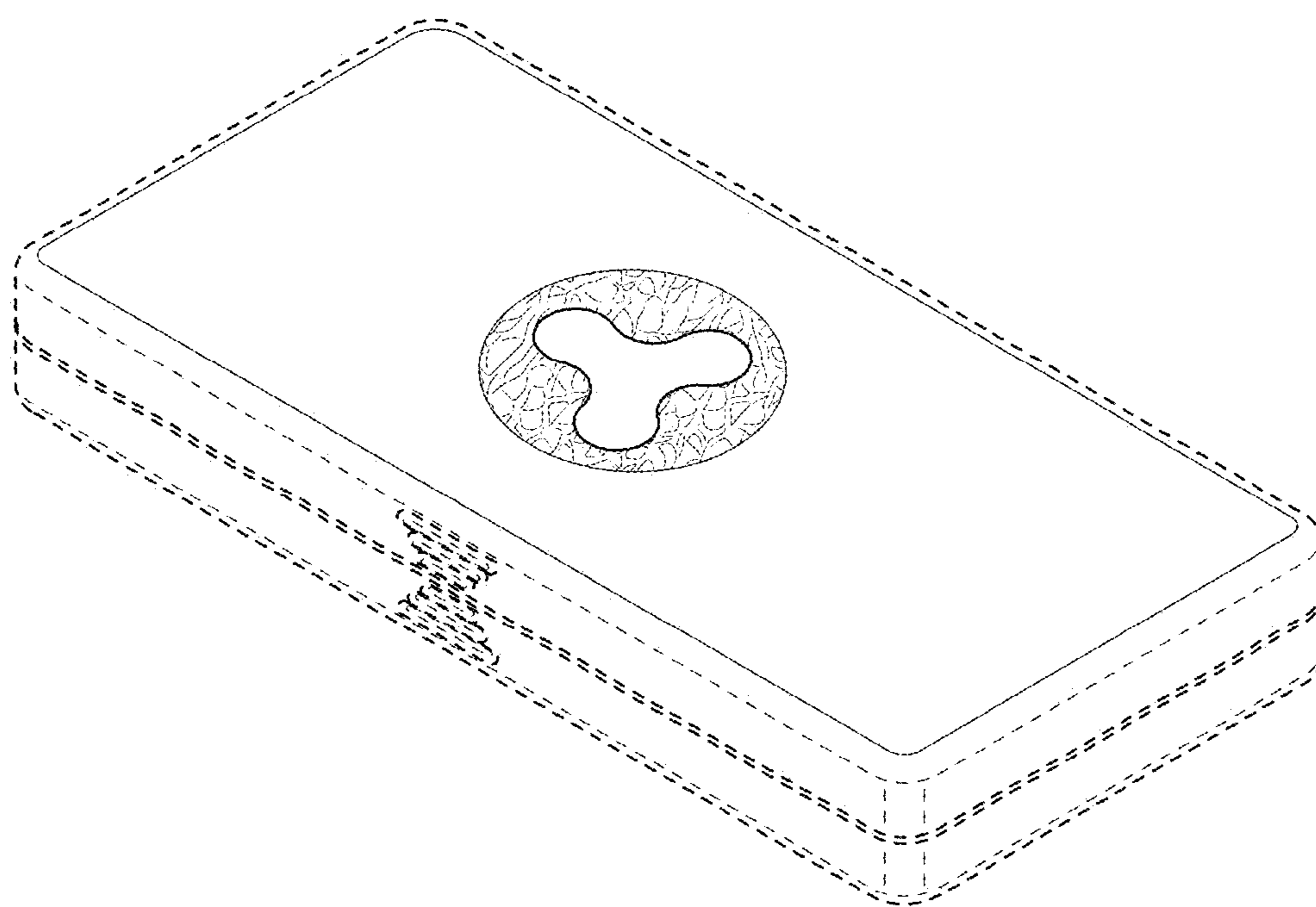


FIG. 6

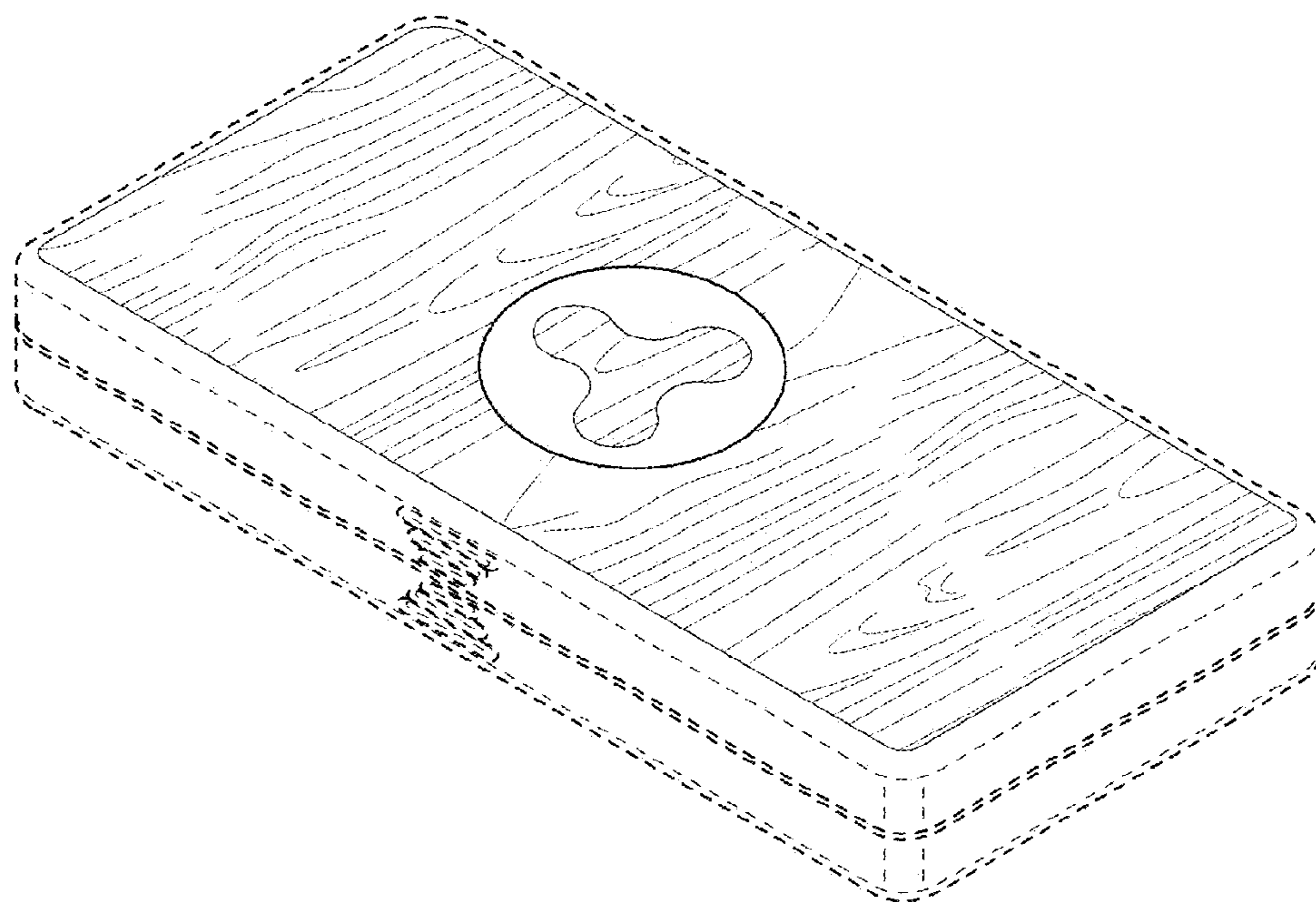


FIG. 7

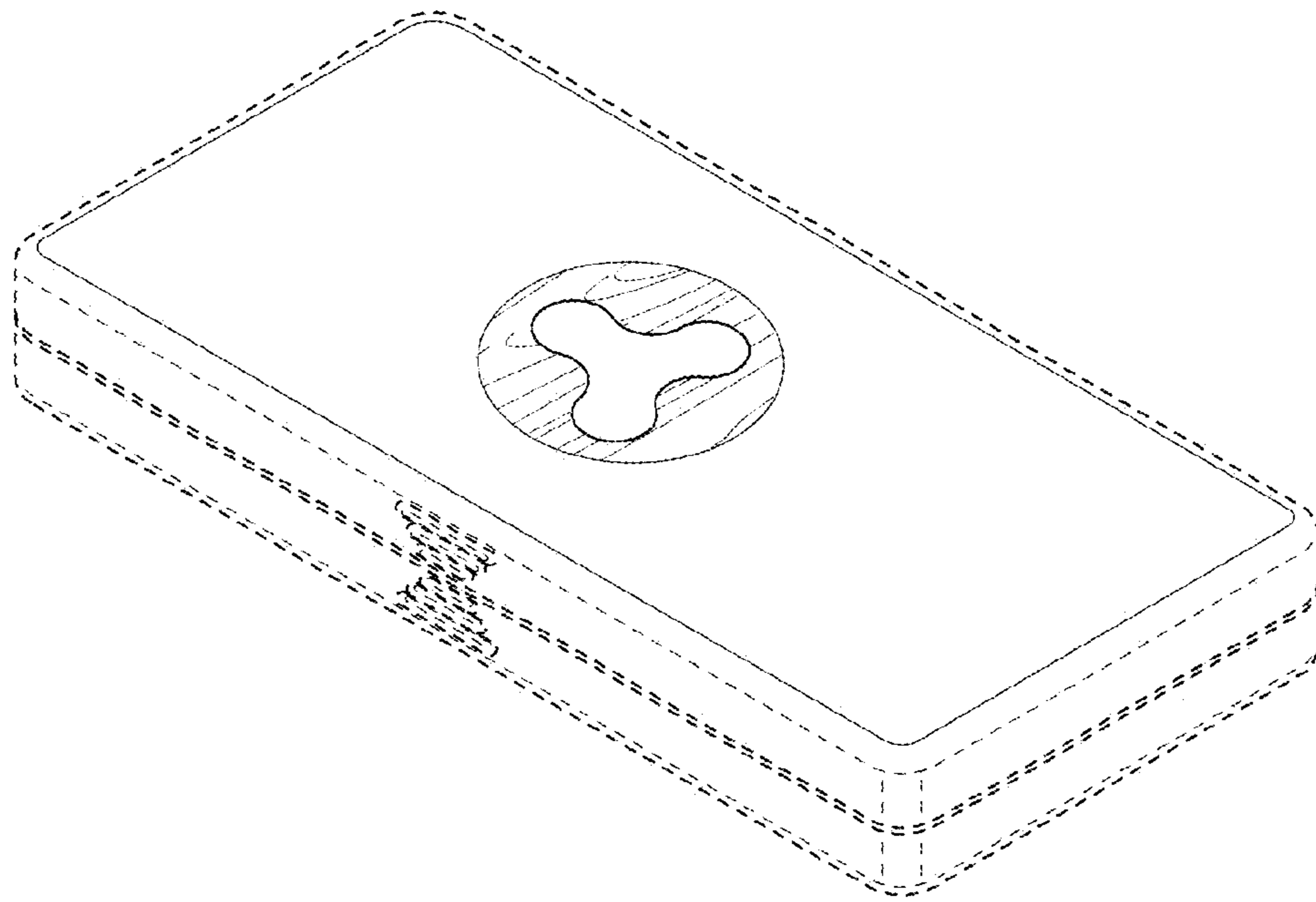


FIG. 8

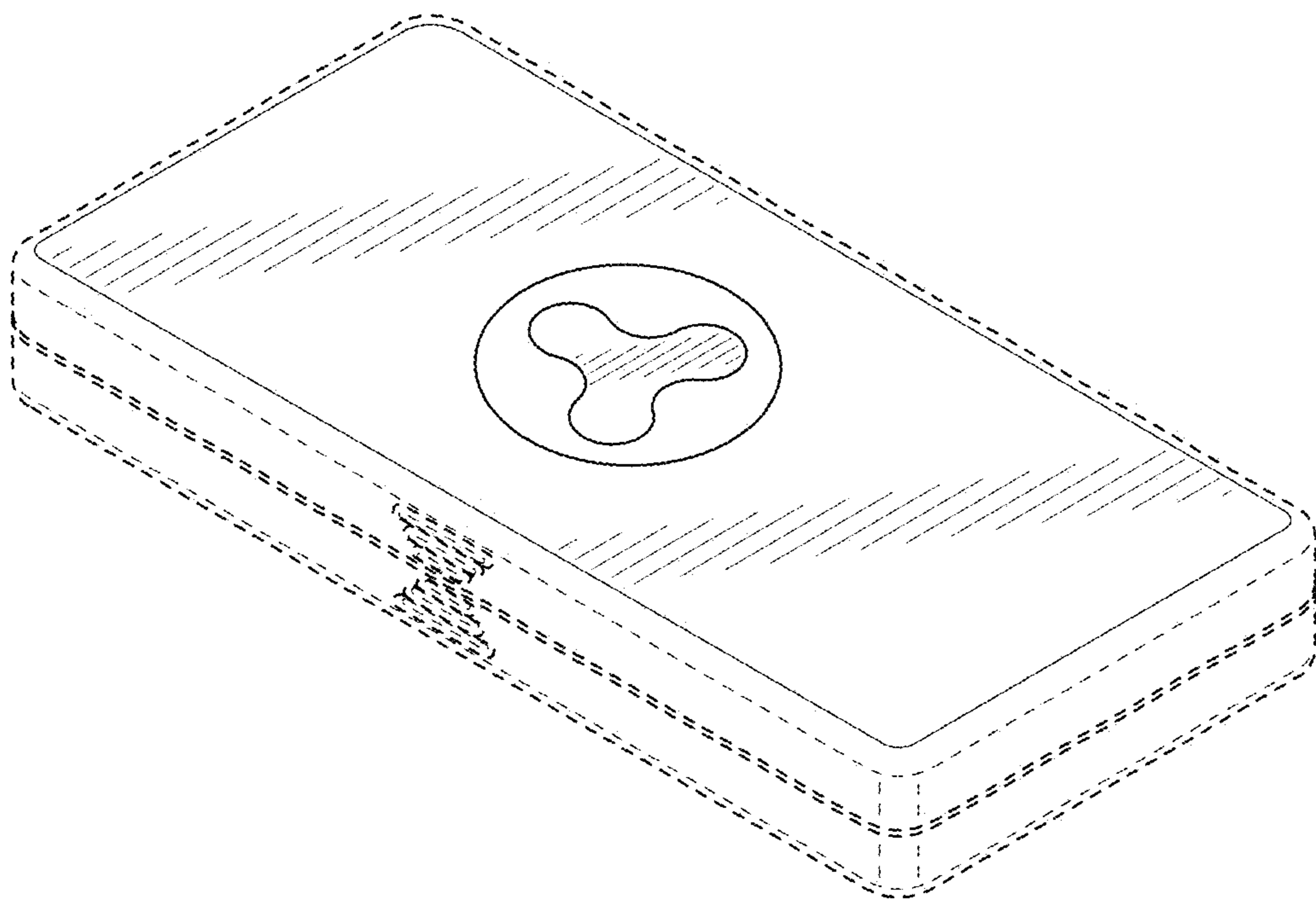


FIG. 9

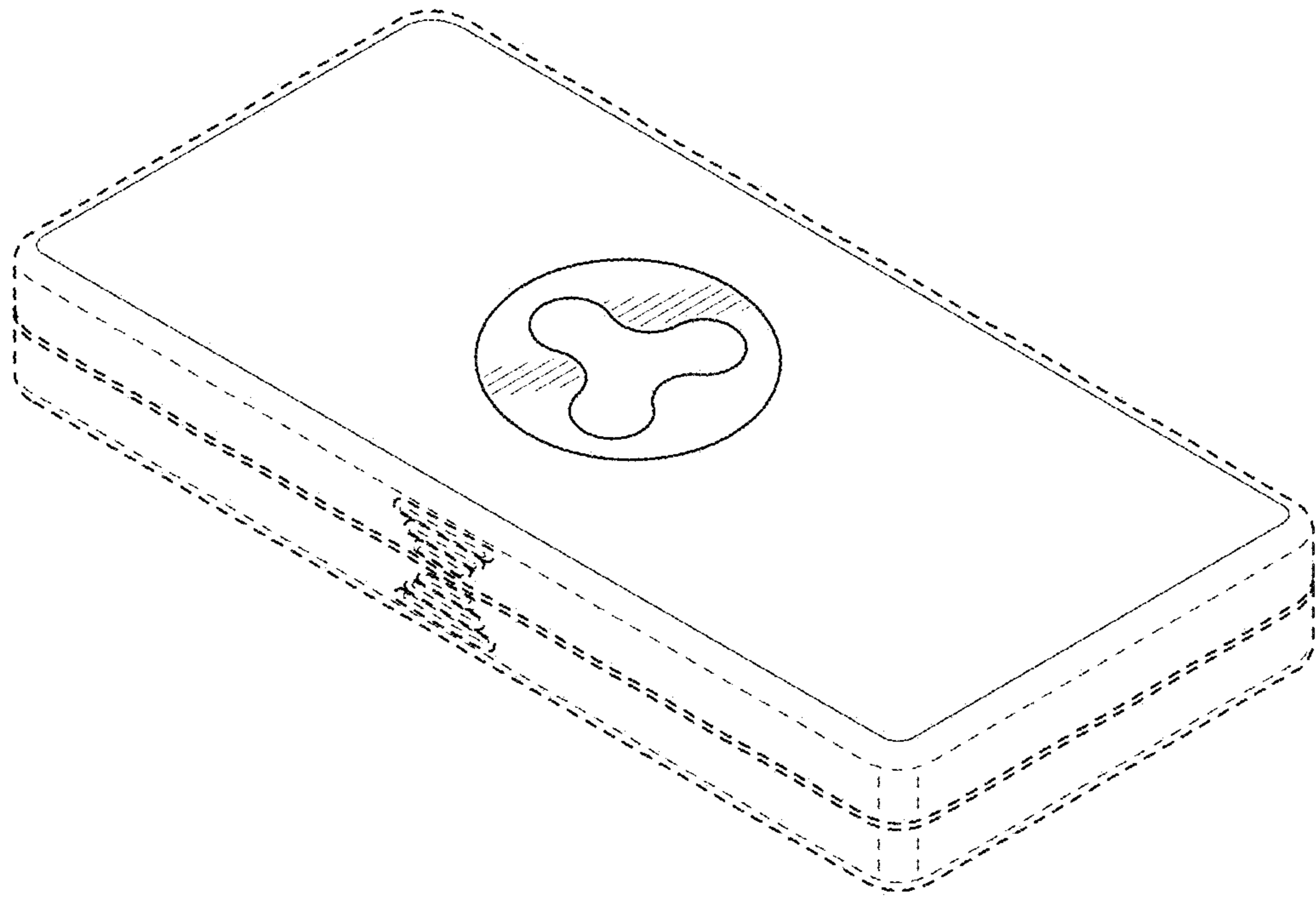


FIG. 10