

US00D747876S

(12) **United States Design Patent**
Goodman et al.

(10) **Patent No.:** **US D747,876 S**
(45) **Date of Patent:** **** Jan. 26, 2016**

(54) **STACKABLE BASKET**

D650,175 S * 12/2011 Lee D3/306
D675,850 S * 2/2013 Tawil D6/705.6
D723,805 S * 3/2015 Habraken D3/306

(71) Applicant: **Spectrum Diversified Designs, Inc.**,
Streetsboro, OH (US)

(72) Inventors: **Sheldon H. Goodman**, Solon, OH (US);
Phaysouk Xayoiphonh, Akron, OH
(US)

(73) Assignee: **Spectrum Diversified Designs, LLC**,
Streetsboro, OH (US)

(**) Term: **14 Years**

(21) Appl. No.: **29/494,713**

(22) Filed: **Jun. 24, 2014**

(51) **LOC (10) Cl.** **03-01**

(52) **U.S. Cl.**
USPC **D3/306**

(58) **Field of Classification Search**
USPC D3/201, 304, 306-309; D9/429;
220/914; D19/75-77, 86, 92; 206/203,
206/214-215, 822, 307.1
CPC B65D 21/00; B65D 21/0204
See application file for complete search history.

(56) **References Cited**

U.S. PATENT DOCUMENTS

D193,215 S * 7/1962 Fredrick D3/306
4,337,872 A * 7/1982 Wright B65D 7/20
206/513
D296,601 S * 7/1988 Chap D3/306
D305,272 S * 12/1989 Remmers D6/513
D477,144 S * 7/2003 Remmers D3/306
D507,108 S * 7/2005 Suero, Jr. D3/304
D508,167 S * 8/2005 Anderson D3/306
D508,321 S * 8/2005 Anderson D3/306
D526,454 S * 8/2006 Plikuhn D3/306

OTHER PUBLICATIONS

interDesign “Chrome Small Stacking Basket”, <http://www.target.com/p/interdesign-chrome-small-stacking-basket/-/A-13991302>,
printed Jan. 8, 2014.

interDesign “Bronze Large Stacking Basket”, <http://www.target.com/p/interdesign-bronze-large-stacking-basket/-/A-13989792>,
printed Jan. 8, 2014.

* cited by examiner

Primary Examiner — Kelley Donnelly

(74) *Attorney, Agent, or Firm* — Benesch Friedlander
Coplan & Aronoff LLP

(57) **CLAIM**

What is claimed is the ornamental design for a stackable basket, as shown and described.

DESCRIPTION

FIG. 1 is a perspective view of a stackable basket showing a new design;

FIG. 2 is a front view of the stackable basket of FIG. 1;

FIG. 3 is a cross-section taken along line 3-3 of FIG. 2;

FIG. 4 is a rear view of the stackable basket of FIG. 1;

FIG. 5 is a side view of the stackable basket of FIG. 1;

FIG. 6 is a top view of the stackable basket of FIG. 1;

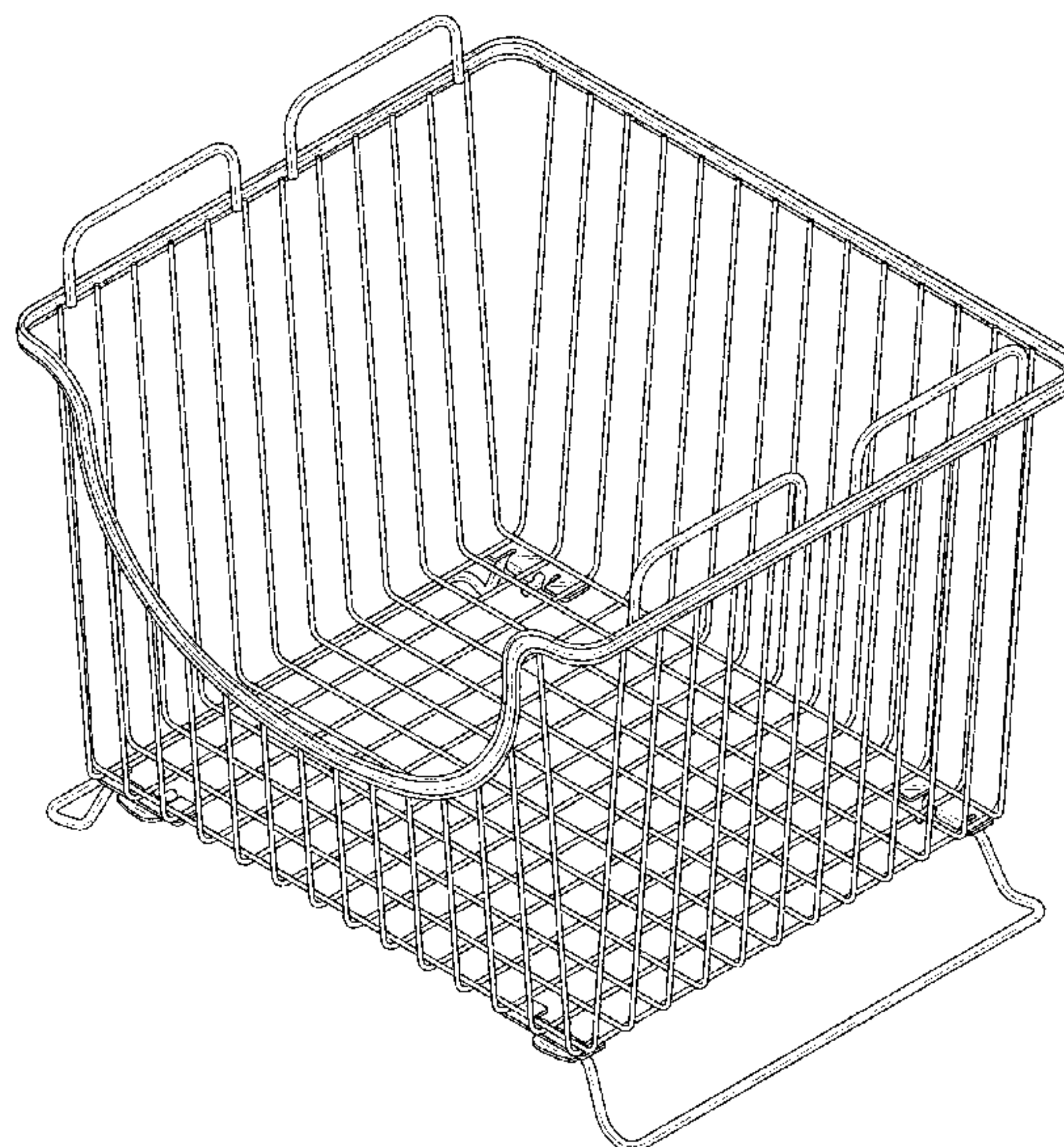
FIG. 7 is a bottom view of the stackable basket of FIG. 1;

FIG. 8 is a perspective view of another embodiment of the stackable basket of FIG. 1; and,

FIG. 9 is a perspective view of another embodiment of the stackable basket of FIG. 1.

The components of the display shown in broken lines illustrate portions of the stackable basket form no part of the claimed design.

1 Claim, 5 Drawing Sheets



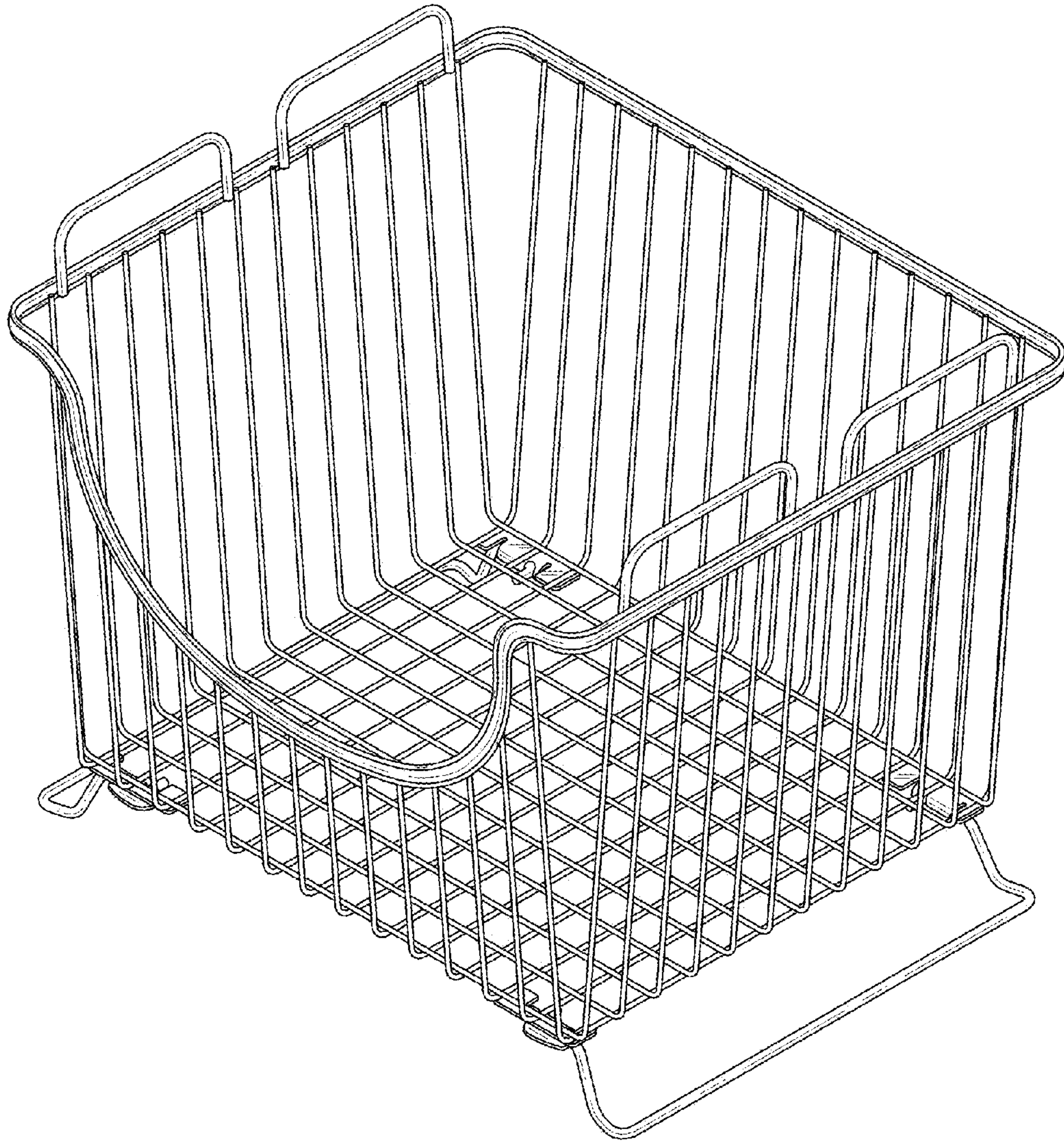


FIG. 1

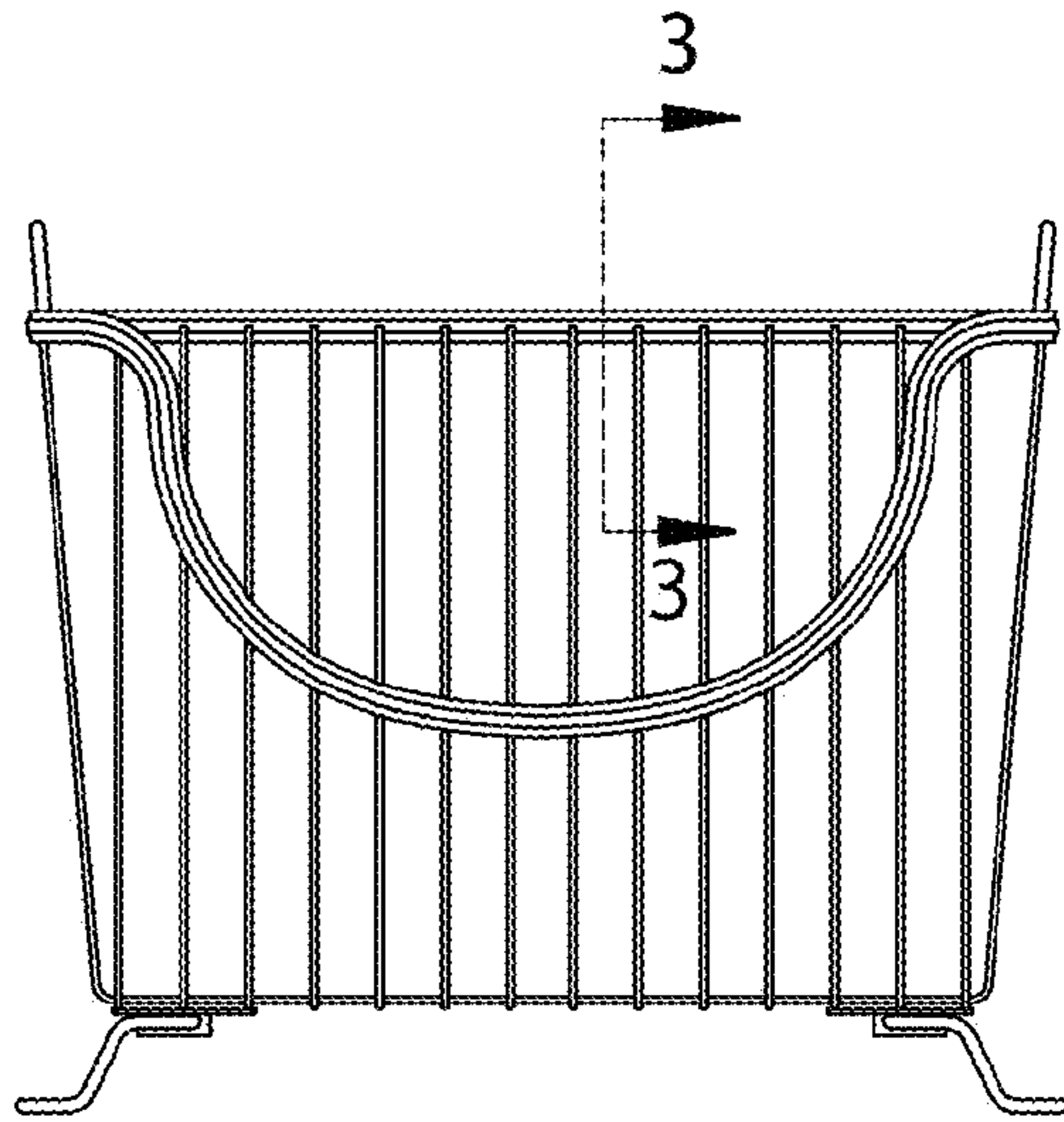


FIG. 2



FIG. 3

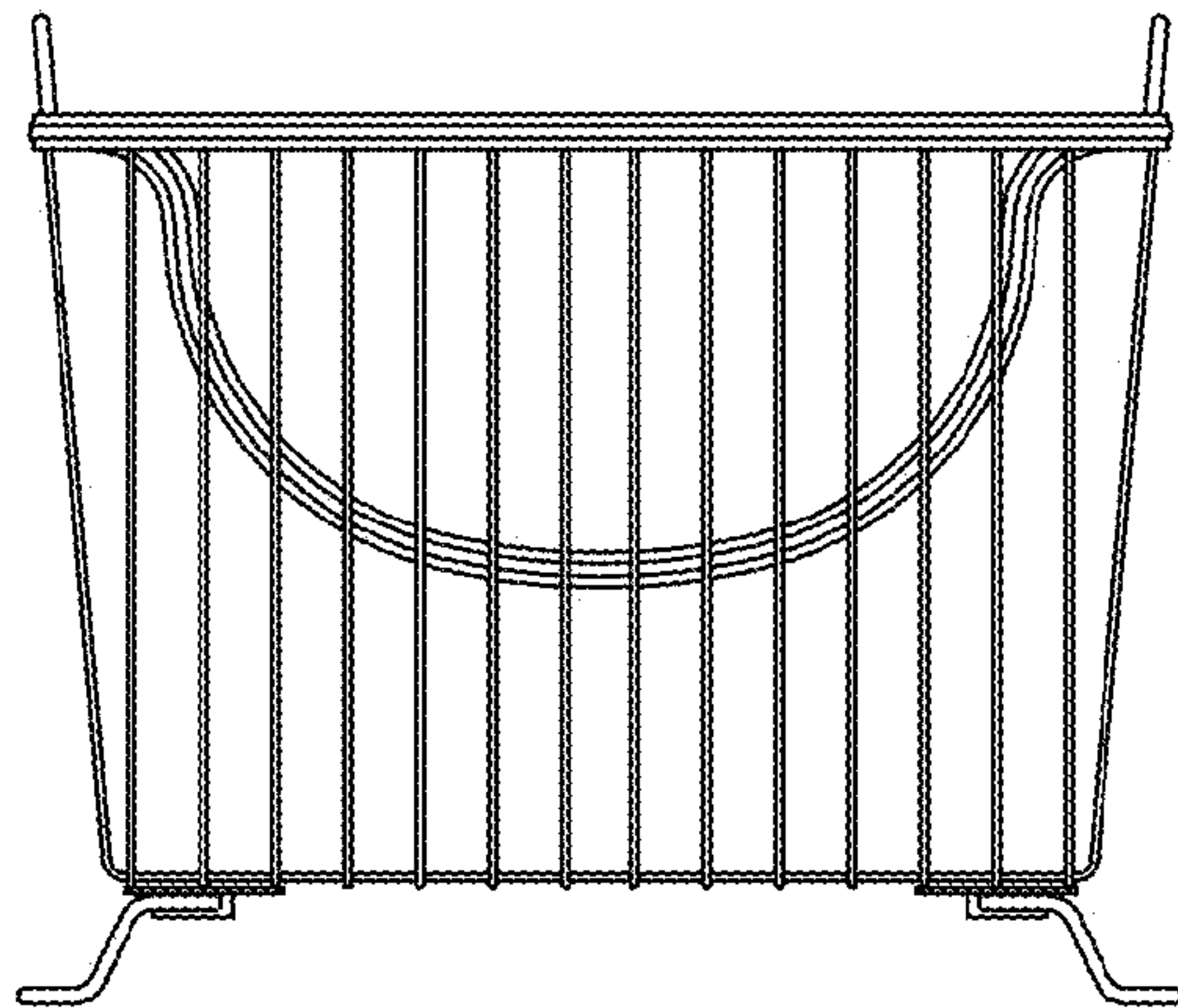


FIG. 4

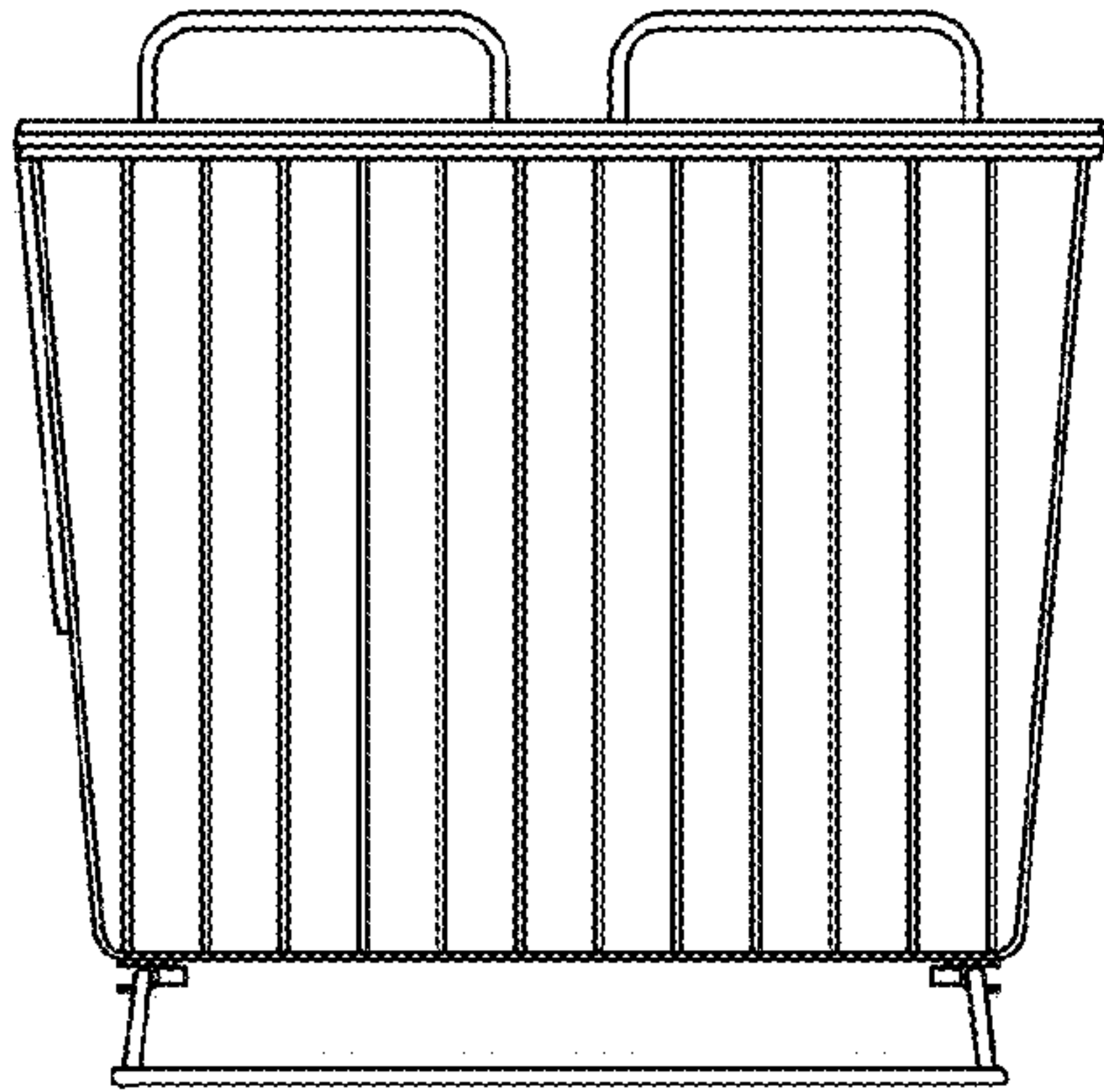


FIG. 5

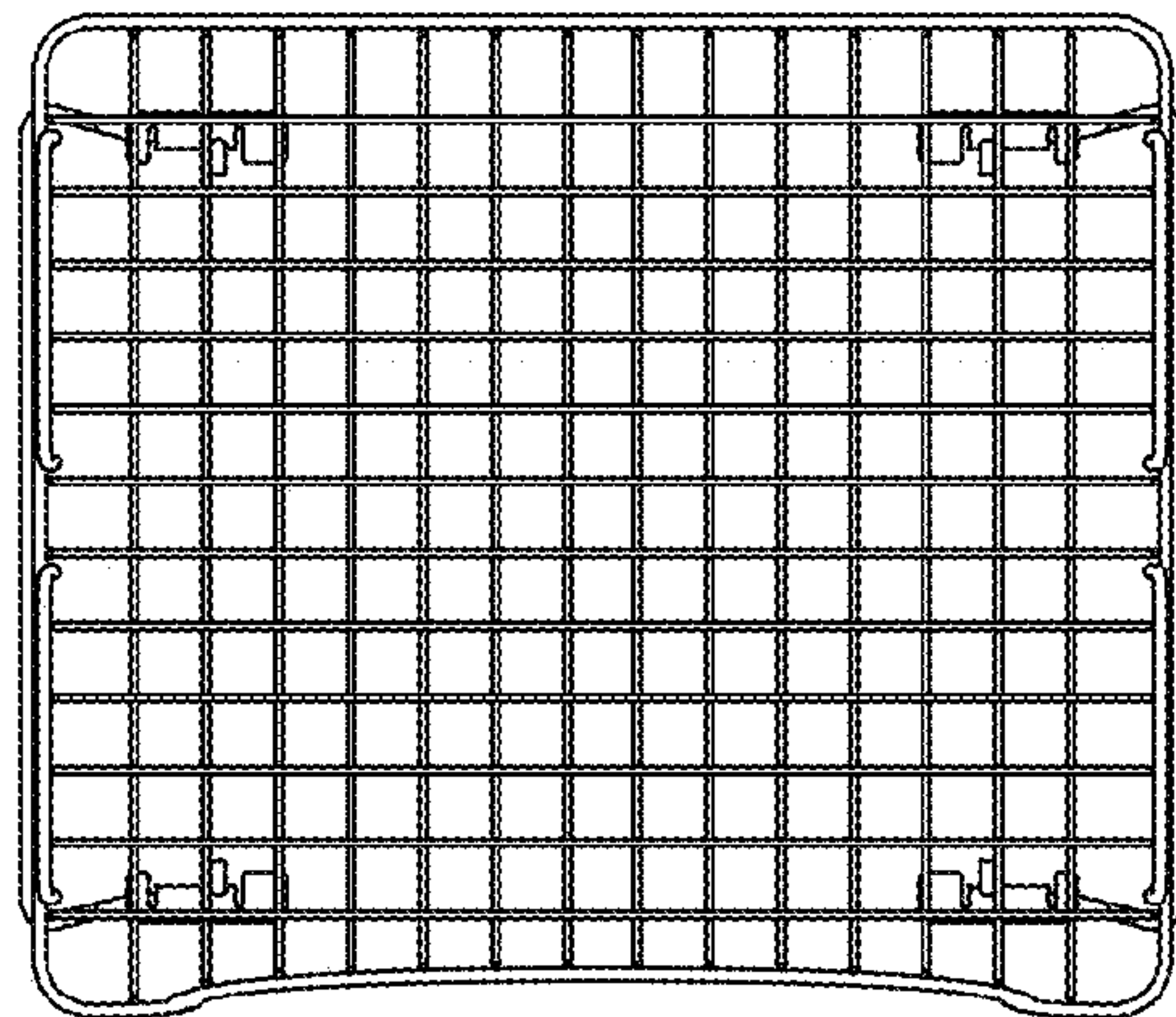


FIG. 6

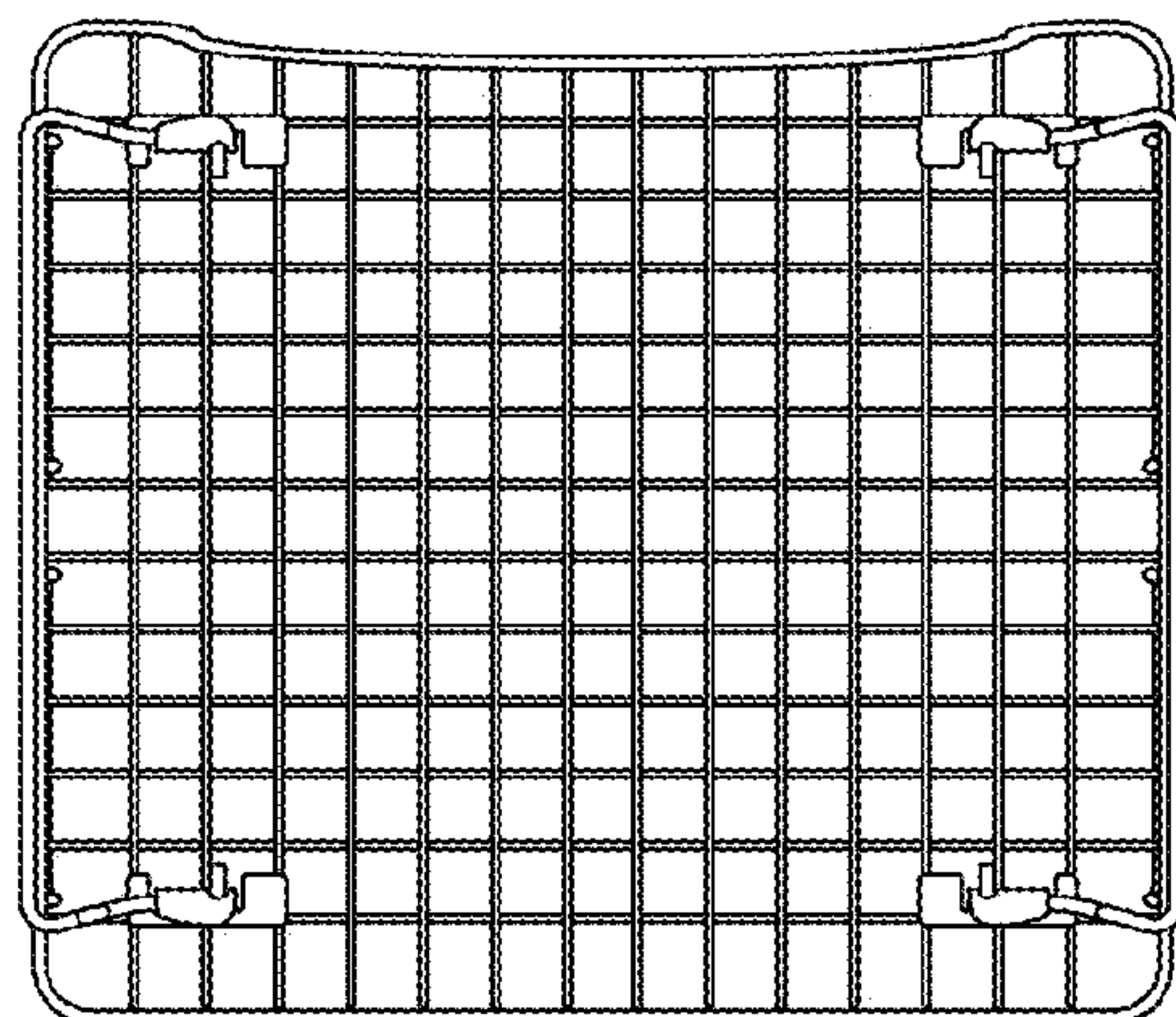


FIG. 7

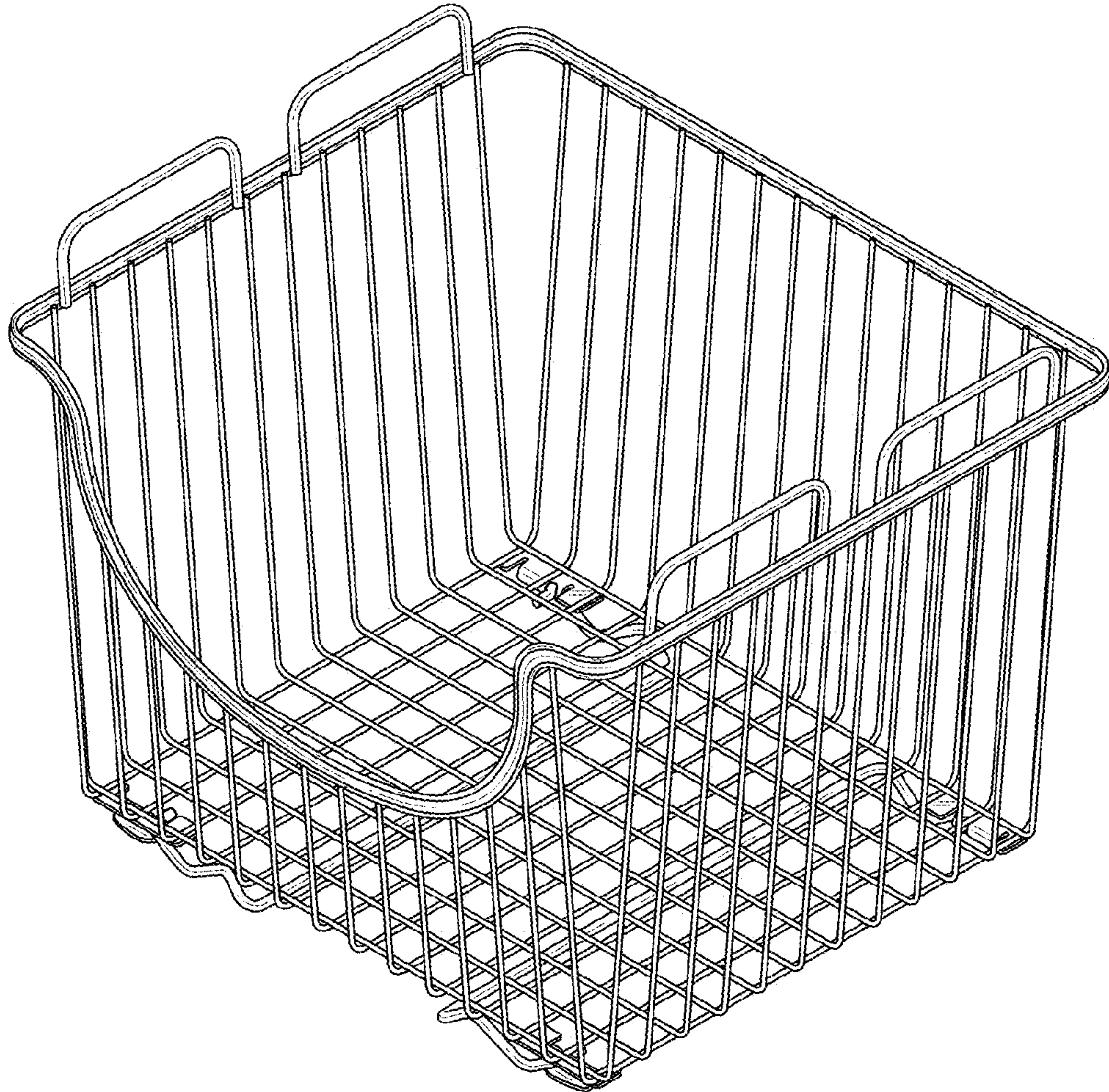


FIG. 8

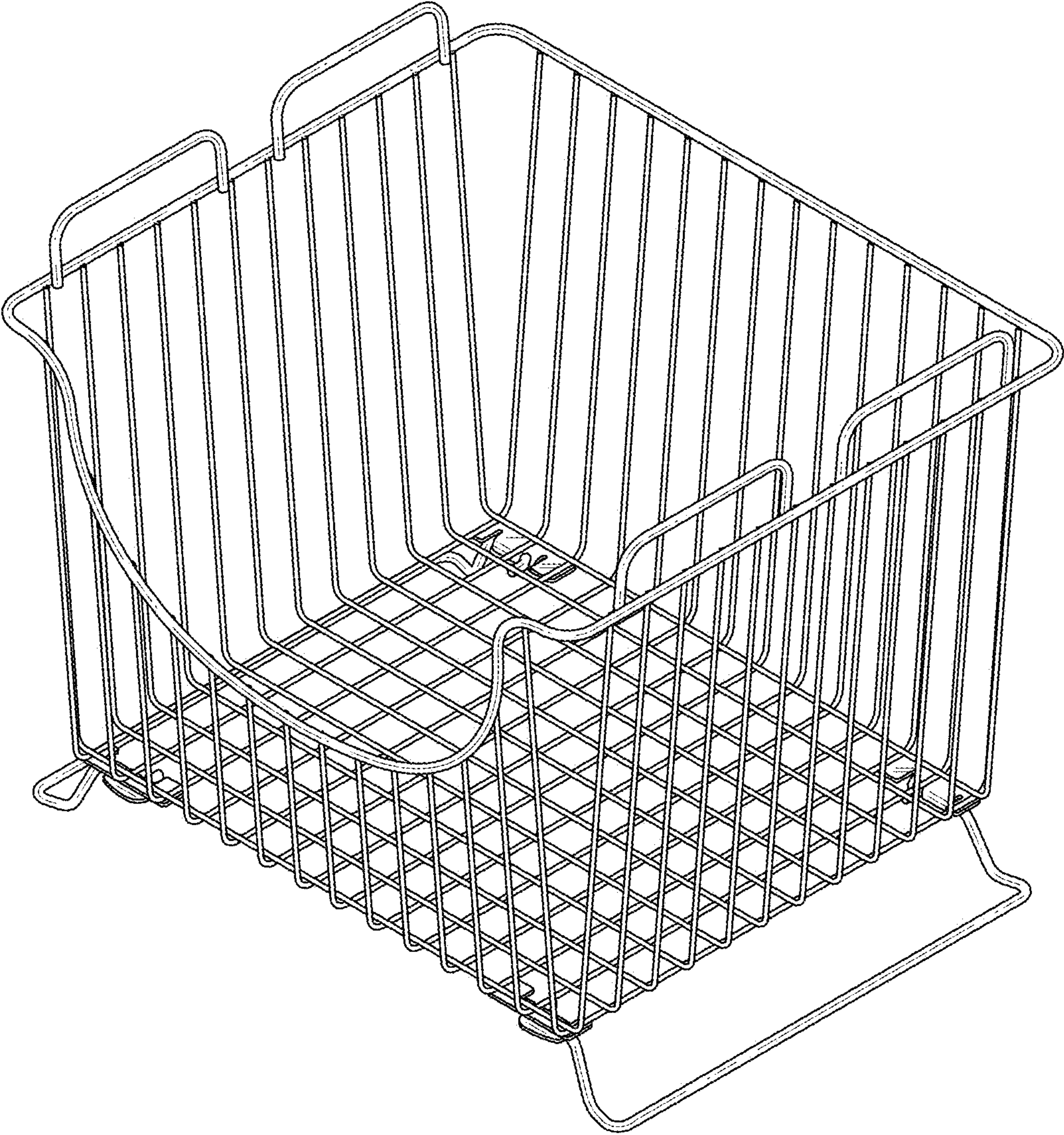


FIG. 9