



US00D747875S

(12) **United States Design Patent**
Manalang et al.

(10) **Patent No.:** **US D747,875 S**
(45) **Date of Patent:** **** Jan. 26, 2016**

- (54) **TOOL BOX**
- (71) Applicants: **Edwin Dizon Manalang**, Burbank, IL (US); **Larry Mitchell Grela**, Plainfield, IL (US)
- (72) Inventors: **Edwin Dizon Manalang**, Burbank, IL (US); **Larry Mitchell Grela**, Plainfield, IL (US)
- (**) Term: **14 Years**
- (21) Appl. No.: **29/474,609**
- (22) Filed: **Nov. 22, 2014**
- (51) **LOC (10) Cl.** **03-01**
- (52) **U.S. Cl.**
USPC **D3/276; D3/294; D3/905; D3/274**
- (58) **Field of Classification Search**
USPC D3/905, 276, 279-284, 291, 294, 295, D3/298, 901, 302, 272, 273, 274, 903; 206/372-379, 508; 220/523-528, 826, 220/844
CPC B25H 3/02; B25H 3/021; B25H 3/022; B25H 3/023; B25H 3/025; B25H 3/026; B25H 3/027; B25H 3/028; B25H 3/00; B25H 3/003; B25H 3/006
See application file for complete search history.

- 5,292,191 A 3/1994 Slivon
- 5,899,420 A * 5/1999 Gerardi 248/146
- 5,927,838 A 7/1999 Hellman
- 5,951,129 A 9/1999 Stein
- 6,375,235 B1 4/2002 Mehmen
- D460,259 S * 7/2002 Oelfke D3/284
- 6,422,386 B1 7/2002 Weise et al.
- 6,527,353 B1 3/2003 Bradfish et al.
- D513,365 S * 1/2006 Singh et al. D3/276
- 7,048,347 B1 5/2006 Liu
- D527,181 S * 8/2006 Henning et al. D3/276
- 7,121,638 B1 10/2006 Eggert et al.
- D539,138 S * 3/2007 Mittelstaedt et al. D3/294
- 7,296,808 B2 11/2007 Huguet
- RE40,267 E 4/2008 Mehmen
- D574,628 S 8/2008 Grela
- D580,653 S * 11/2008 Robaina D3/272
- 7,510,078 B2 3/2009 Schmidt et al.

(Continued)

OTHER PUBLICATIONS

International Search Report for PCT Application No. PCT US2010/001732, Aug. 5, 2010.

(Continued)

Primary Examiner — Jennifer Rivard
Assistant Examiner — April Rivas
(74) *Attorney, Agent, or Firm* — John G. Chupa

(57) **CLAIM**
We claim the ornamental design for a tool box, as shown and described.

(56) **References Cited**

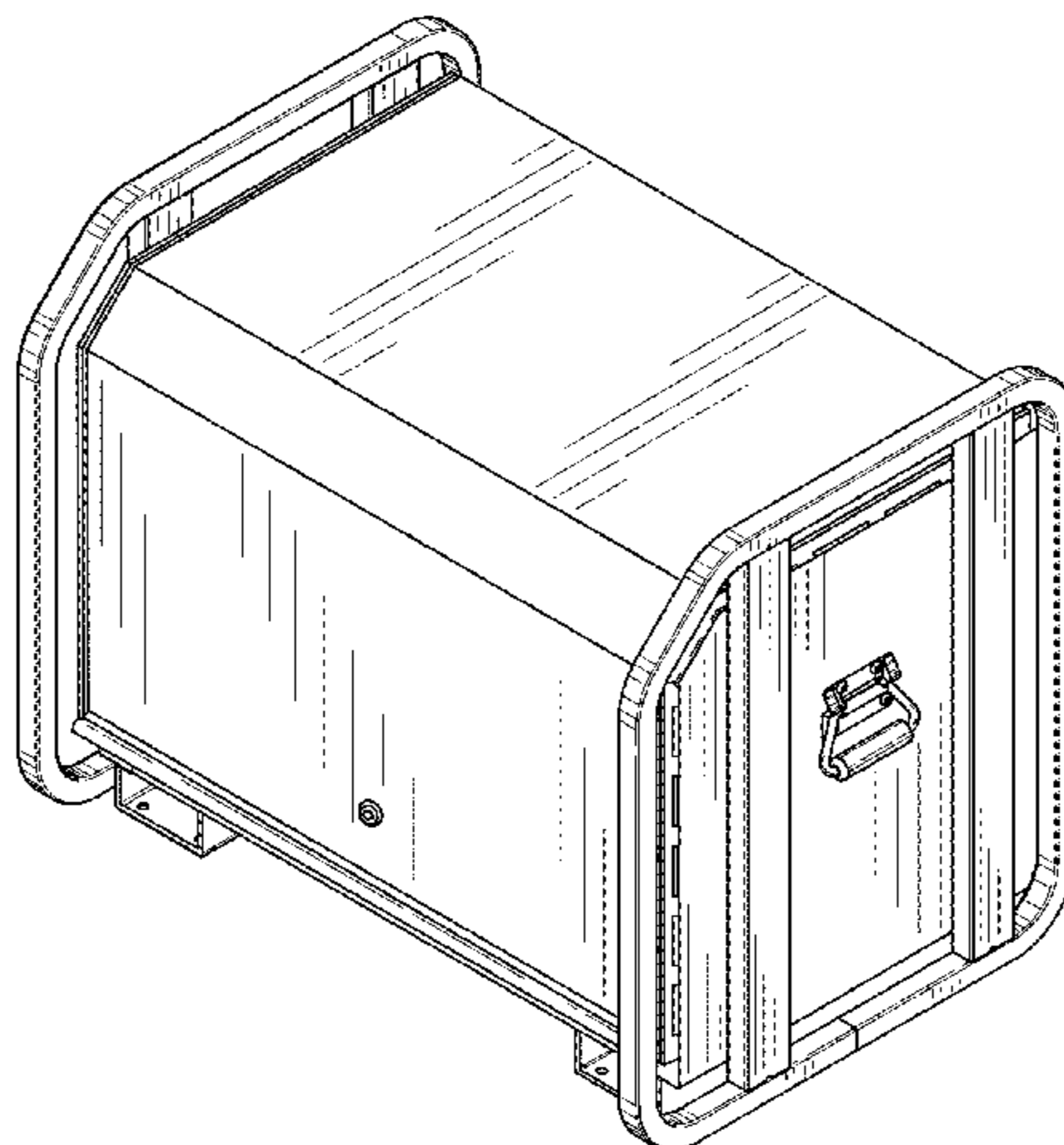
U.S. PATENT DOCUMENTS

- 1,987,822 A 1/1935 Gregory
- 2,286,427 A 6/1942 Levensten
- 2,525,208 A 9/1946 Clink
- 3,520,583 A 7/1970 Case
- 3,848,942 A 11/1974 Fanini
- 3,954,202 A 5/1976 Petrick
- 4,108,514 A 8/1978 Zimmerman
- 4,211,455 A 7/1980 Tedrow
- 4,266,835 A 5/1981 Schmidt
- 4,303,158 A 12/1981 Perkins
- D325,456 S * 4/1992 Scaife D99/28

DESCRIPTION

FIG. 1 is a perspective view of a tool box as shown;
FIG. 2 is a front view thereof;
FIG. 3 is a right side view thereof;
FIG. 4 is a back view thereof;
FIG. 5 is a left side view thereof;
FIG. 6 is top view thereof; and,
FIG. 7 is a bottom view thereof.

1 Claim, 7 Drawing Sheets



(56)

References Cited

U.S. PATENT DOCUMENTS

D590,325 S * 4/2009 Hall D12/423
 7,552,950 B2 6/2009 Scheffy et al.
 7,784,887 B2 8/2010 Grela et al.
 D636,615 S 4/2011 Grela
 7,946,663 B2 5/2011 Holcomb
 D647,300 S * 10/2011 Shitrit et al. D3/281
 D649,377 S 11/2011 Manalang et al.
 8,056,943 B2 11/2011 Scheffy et al.
 8,056,995 B2 11/2011 Grela et al.
 8,084,992 B2 12/2011 Scheffy et al.
 8,157,337 B2 4/2012 Manalang et al.
 8,240,786 B2 8/2012 Daino et al.
 D668,048 S * 10/2012 Vilkomirski et al. D3/281
 D678,694 S 3/2013 Grela

D694,522 S * 12/2013 Horovitz D3/281
 D728,932 S * 5/2015 Horovitz et al. D3/276
 2005/0204646 A1 9/2005 Tupper et al.
 2008/0150407 A1 6/2008 Mehmen
 2008/0276667 A1 11/2008 Scheffy et al.
 2010/0072716 A1 3/2010 Grela
 2010/0276317 A1 11/2010 Grela et al.
 2010/0282629 A1 11/2010 Grela
 2010/0314978 A1 12/2010 Manalang et al.
 2011/0121701 A1 5/2011 Chang
 2011/0309730 A1 12/2011 Retchloff et al.
 2014/0054920 A1 * 2/2014 Jeffries et al. 296/100.07

OTHER PUBLICATIONS

United States Trademark Registration No. 3,930, 484.
 Matco Tools Catalog at least as early as Oct. 29, 2014.

* cited by examiner

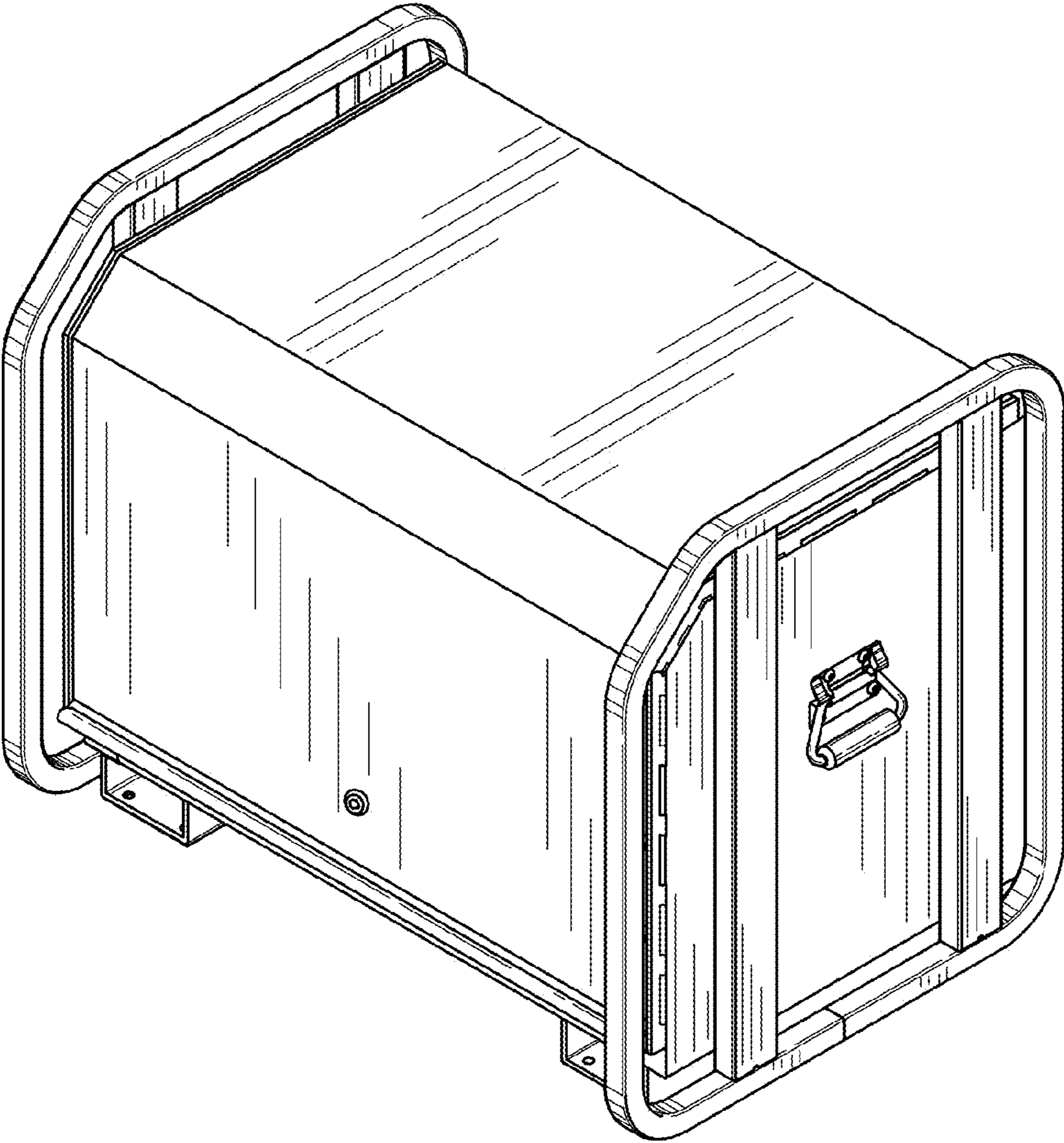


FIG. 1

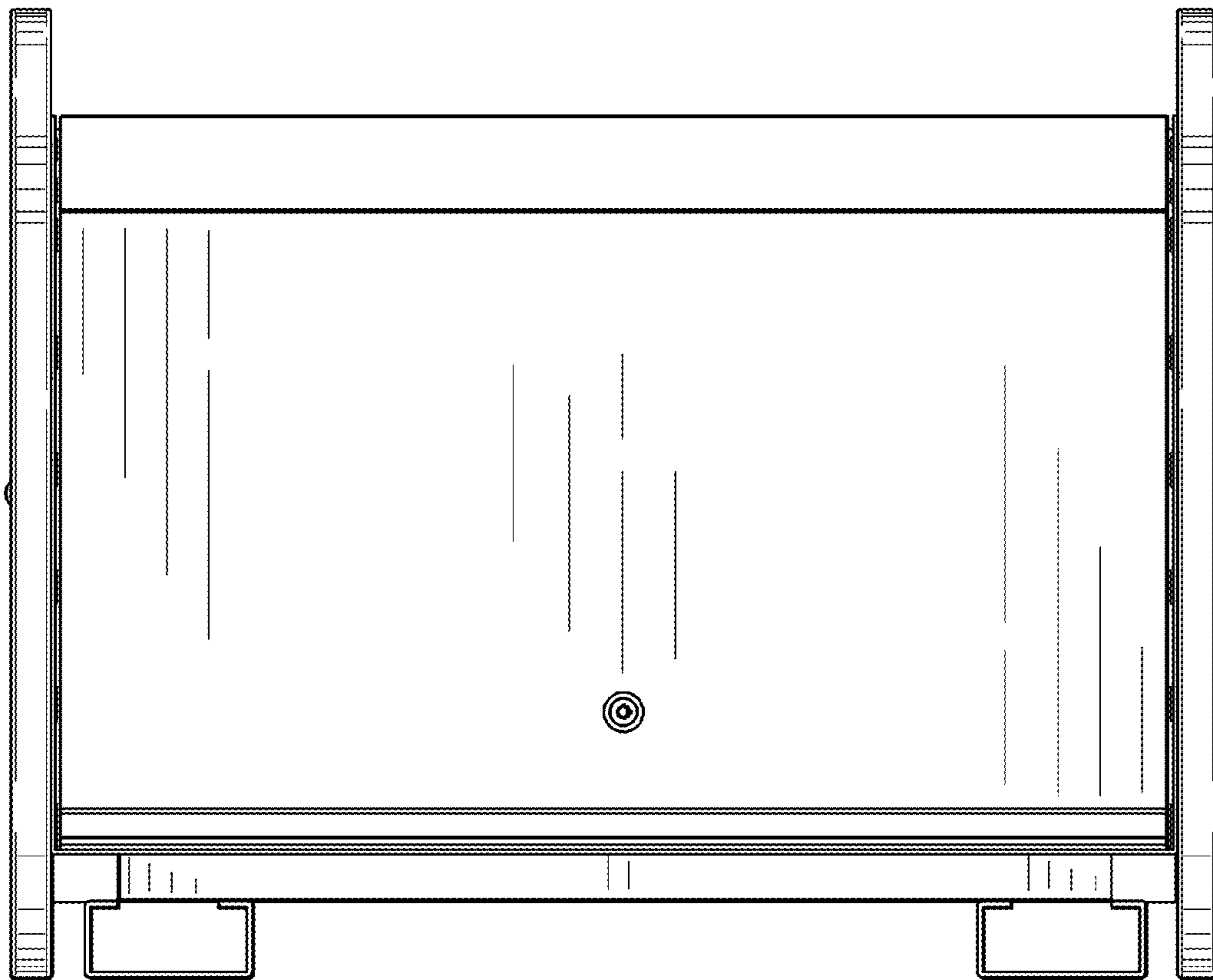


FIG. 2

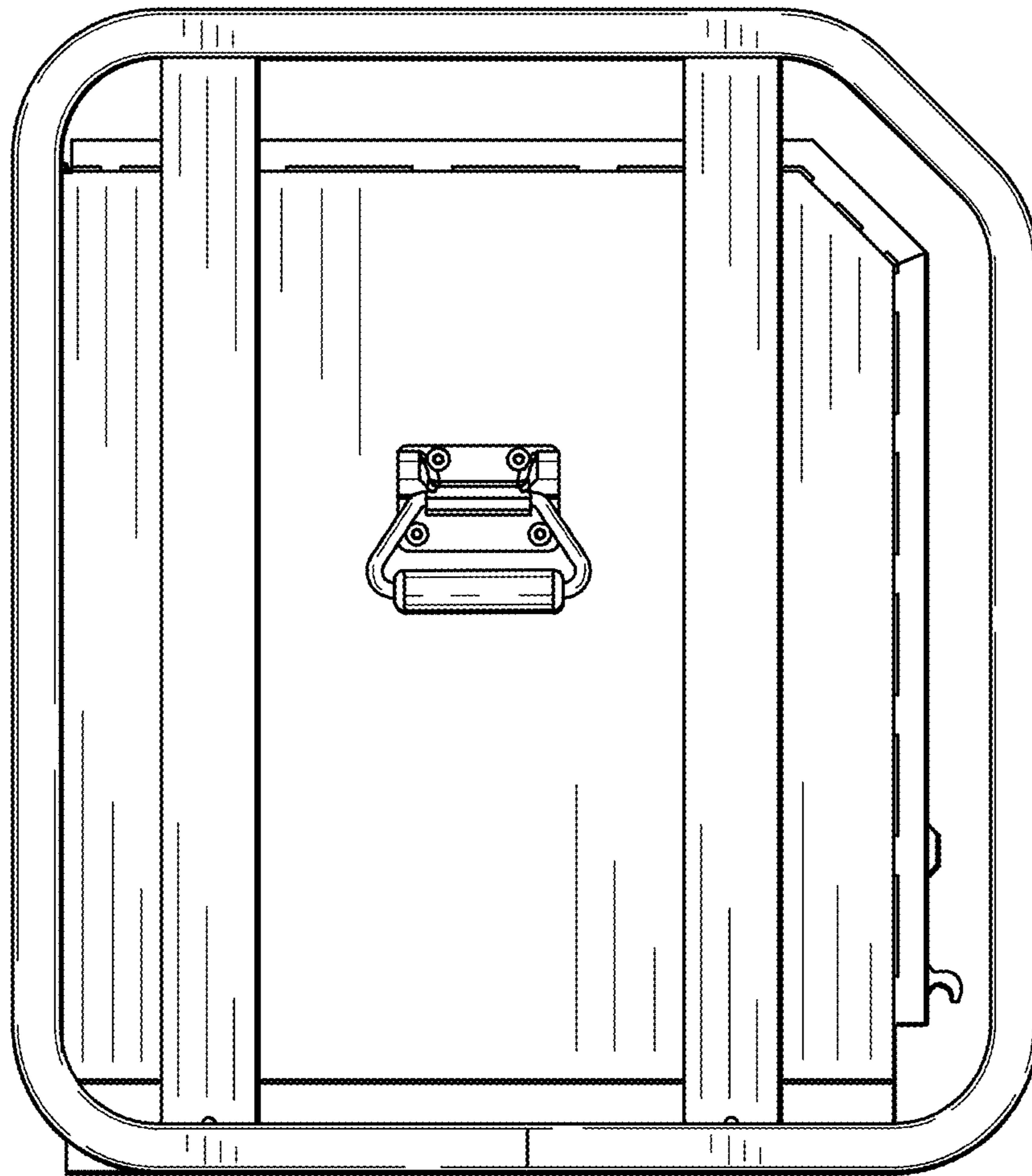


FIG. 3

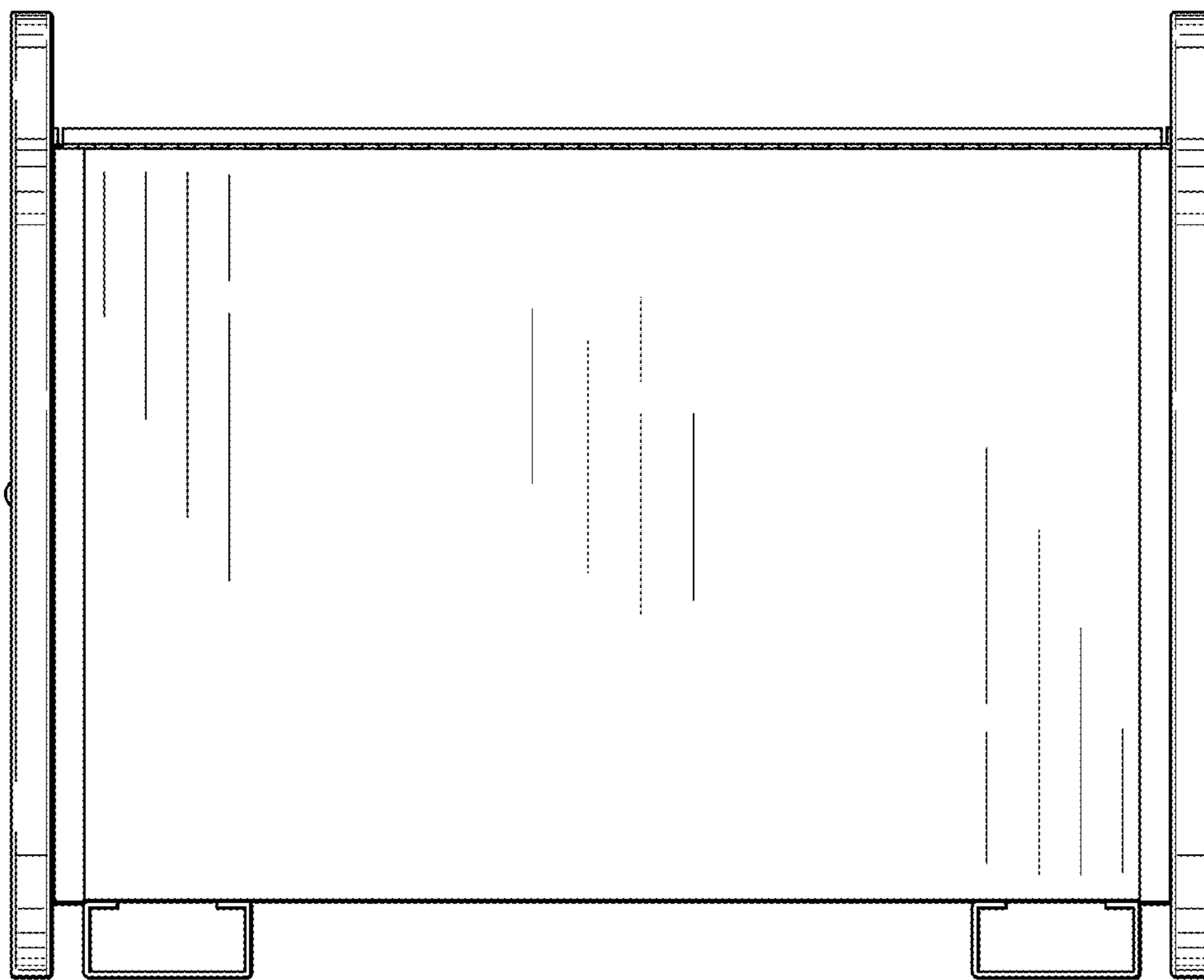


FIG. 4

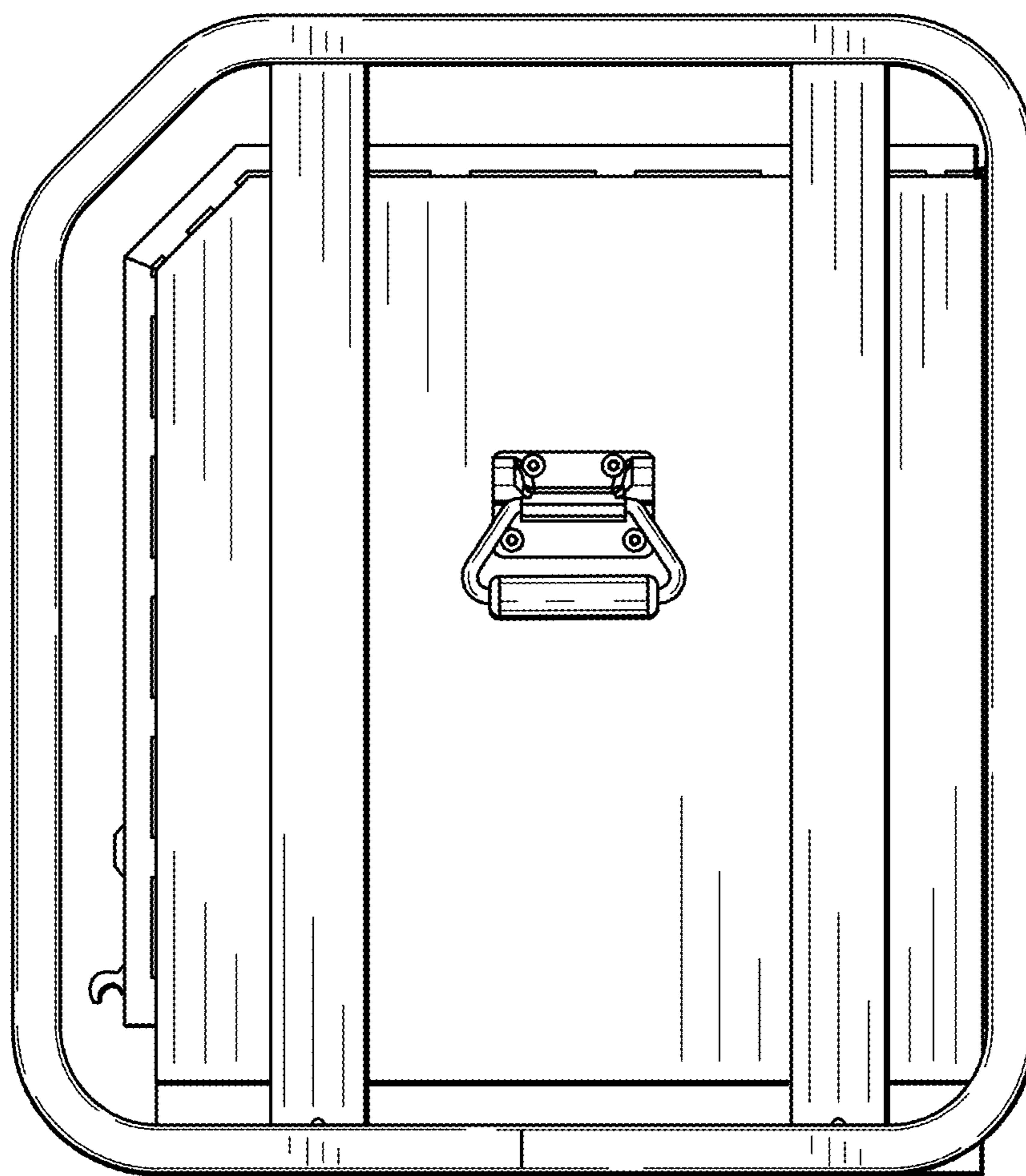


FIG. 5

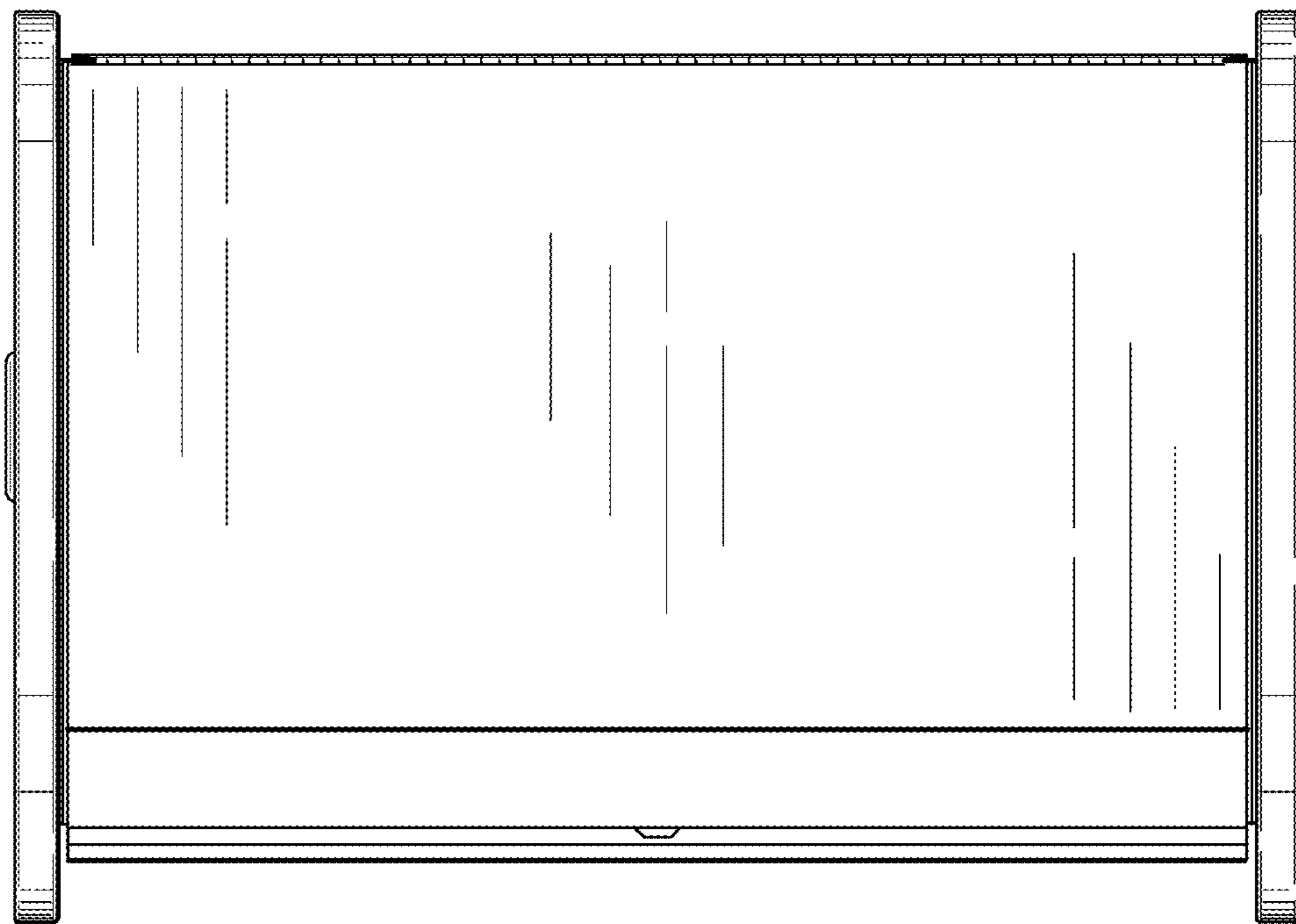


FIG. 6

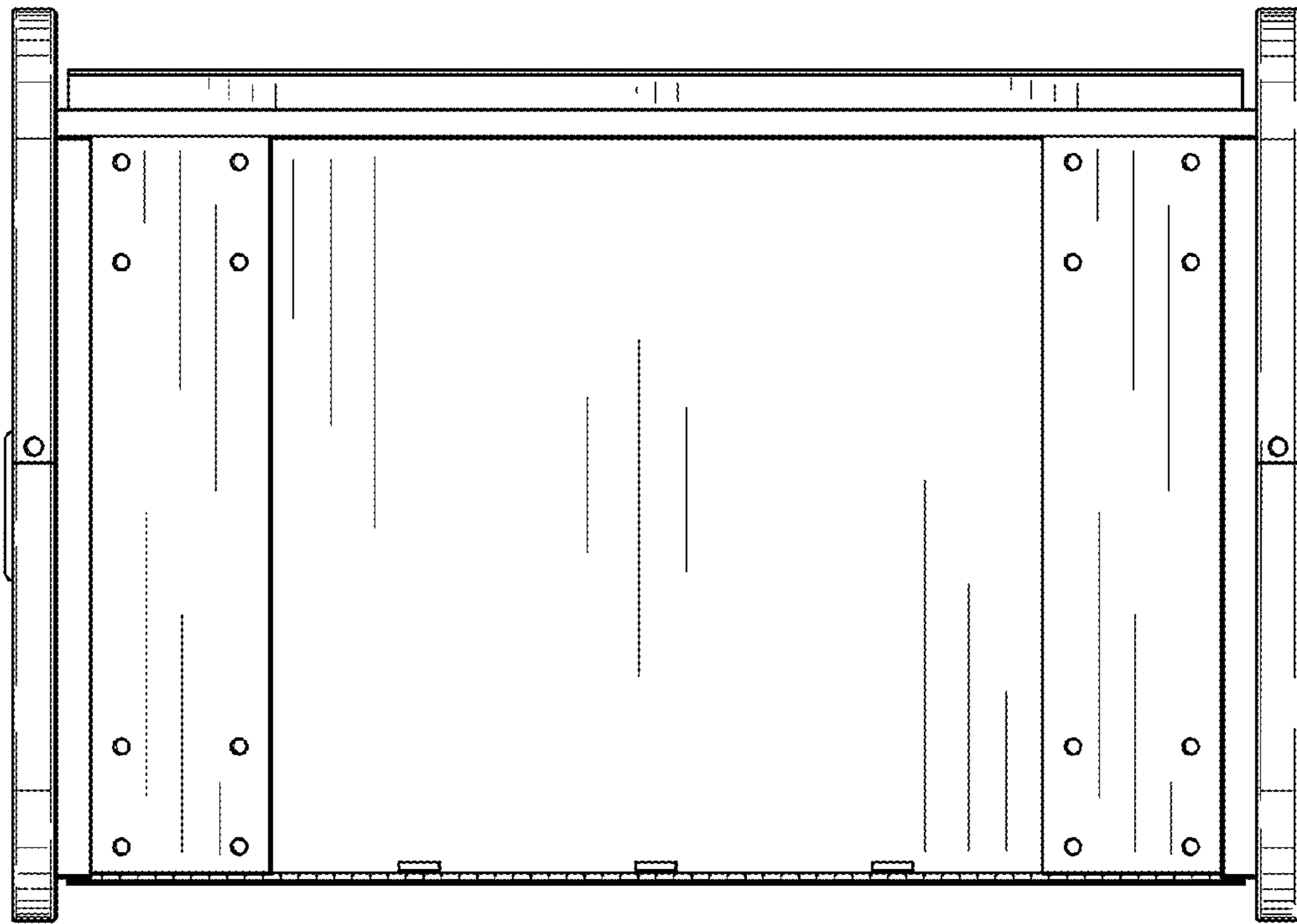


FIG. 7