



US00D747873S

(12) **United States Design Patent**
Peng

(10) **Patent No.:** **US D747,873 S**
(45) **Date of Patent:** **** Jan. 26, 2016**

(54) **ZIPPER FOLDABLE BAG (BASKETBALL SHAPE)**

(71) Applicant: **Dong Miao Peng**, Fujian Province (CN)

(72) Inventor: **Dong Miao Peng**, Fujian Province (CN)

(**) Term: **14 Years**

(21) Appl. No.: **29/492,152**

(22) Filed: **May 29, 2014**

(30) **Foreign Application Priority Data**

May 8, 2014 (CN) 2014 3 0123111

(51) **LOC (10) Cl.** **03-01**

(52) **U.S. Cl.**
USPC **D3/234**

(58) **Field of Classification Search**
USPC D3/221, 232-234, 238, 240-243, 245,
D3/246, 257, 259, 271.9, 289;
150/103-110, 113, 114, 117-119;
224/919; 206/315.1, 315.9, 599
CPC A45C 1/024; A45C 3/06; A45C 3/00;
A45C 2003/007
See application file for complete search history.

(56) **References Cited**

U.S. PATENT DOCUMENTS

1,680,652 A * 8/1928 Walinsky A44B 19/301
190/120
2,515,715 A * 7/1950 Jones A45C 3/10
190/1
D229,793 S * 1/1974 Tibbs D3/238
D235,693 S * 7/1975 Tibbs D3/238
D275,717 S * 10/1984 Carr D3/257
D318,567 S * 7/1991 Smith D21/713
5,085,320 A * 2/1992 Scott A63B 47/007

150/107
D332,696 S * 1/1993 Kendrick 224/277
D346,273 S * 4/1994 Lucas D3/234
D358,023 S * 5/1995 Poire D3/217
5,839,577 A * 11/1998 Friedler A45C 3/00
190/110
D403,155 S * 12/1998 Liu D3/287
D417,074 S * 11/1999 Rugg D3/221
D433,806 S * 11/2000 Richard, Jr. D3/274
6,286,674 B1 * 9/2001 Richard A45C 7/0086
206/315.9
D463,119 S * 9/2002 Kawai D3/276
D468,906 S * 1/2003 Rugg D3/257
D469,608 S * 2/2003 Nevins D3/300
D488,020 S * 4/2004 Fung D3/270
6,892,916 B1 * 5/2005 Rugg A45C 13/103
224/257
D529,343 S * 10/2006 Minor D3/271.9
D539,034 S * 3/2007 Friedman D3/271.9
D571,101 S * 6/2008 Linsenman D3/238
D677,884 S * 3/2013 Shyr D3/234
8,413,776 B1 * 4/2013 Huff A45C 13/00
150/113
D691,793 S * 10/2013 Anigwe D3/217

* cited by examiner

Primary Examiner — Derrick Holland

Assistant Examiner — Jennifer O King

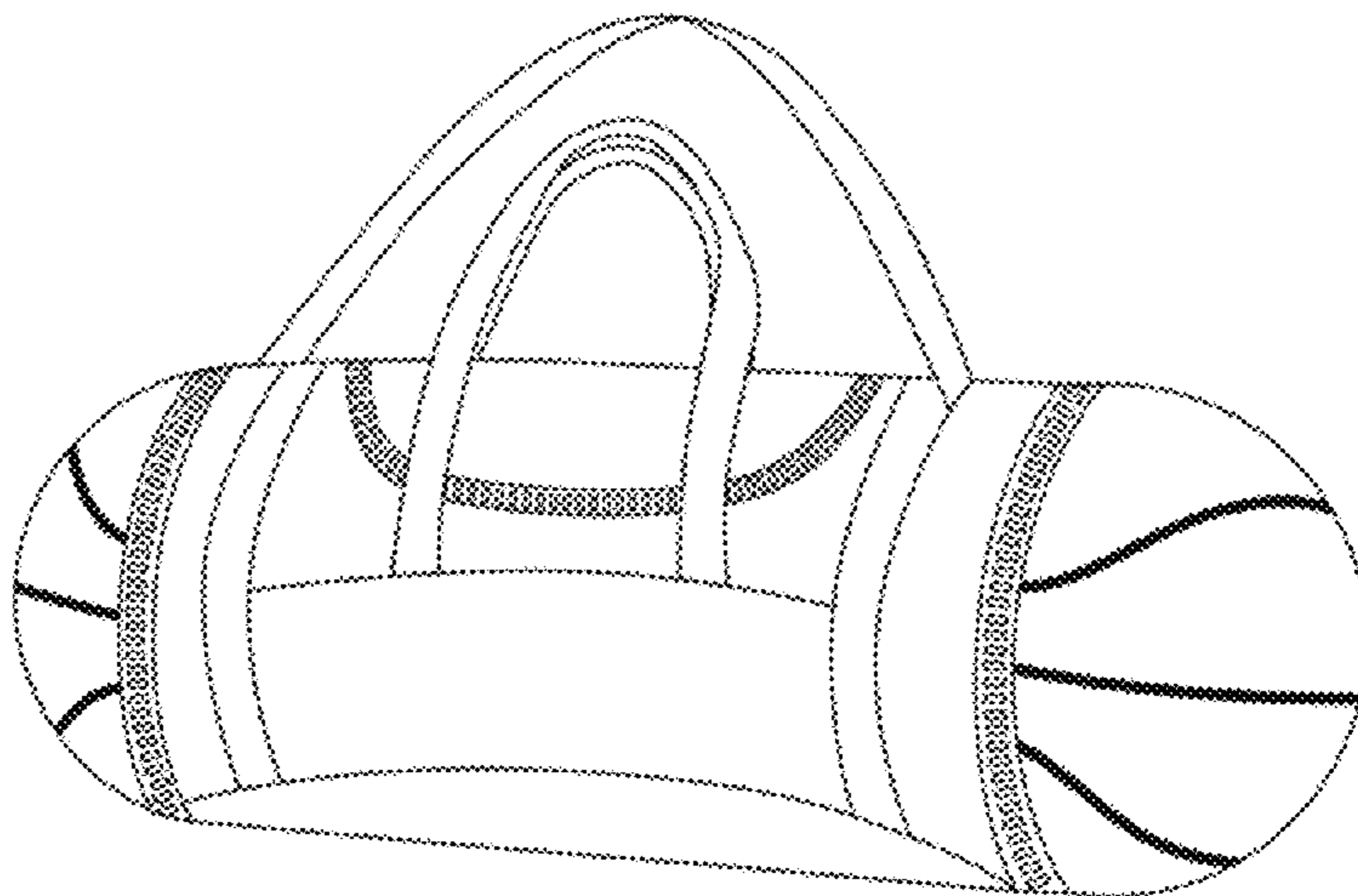
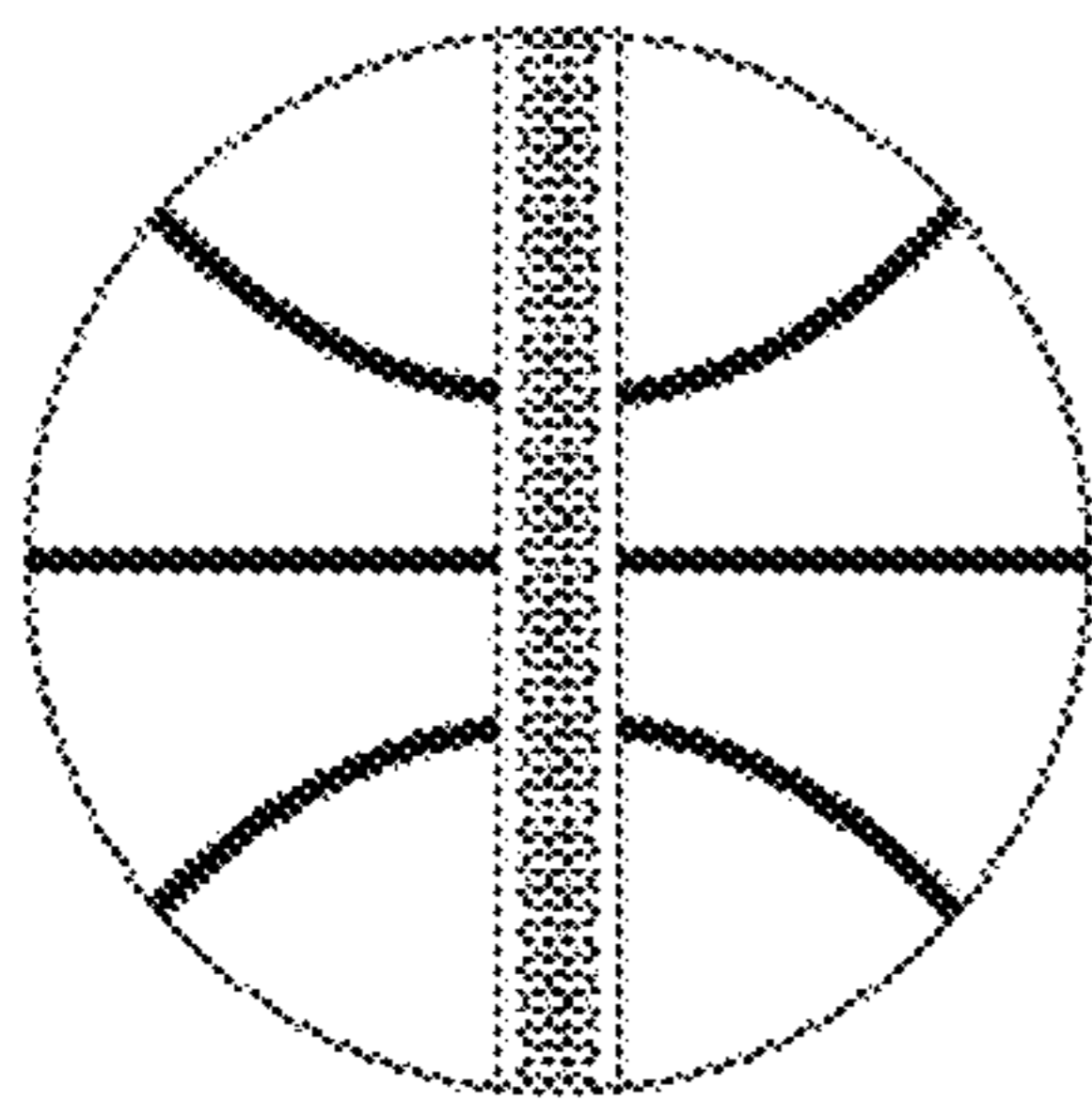
(57) **CLAIM**

The ornamental design for a zipper foldable bag (basketball shape), as shown and described.

DESCRIPTION

FIG. 1 is a front elevational view of a zipper foldable bag (basketball shape) showing my new design;
FIG. 2 is a rear elevational view thereof;
FIG. 3 is a left side view thereof;
FIG. 4 is a right side view thereof; and,
FIG. 5 is a perspective view in the state of use thereof.

1 Claim, 1 Drawing Sheet



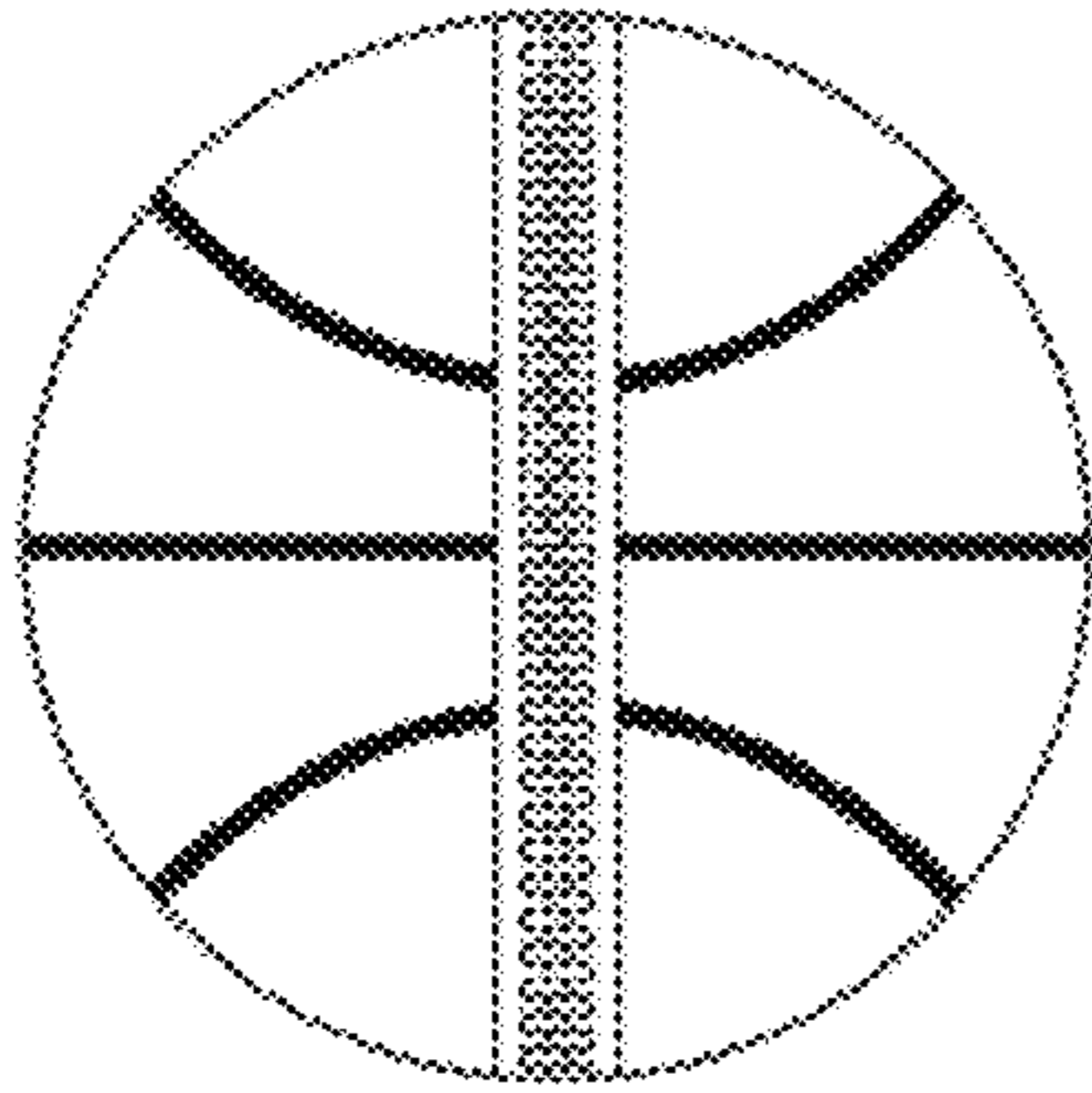


FIG. 1

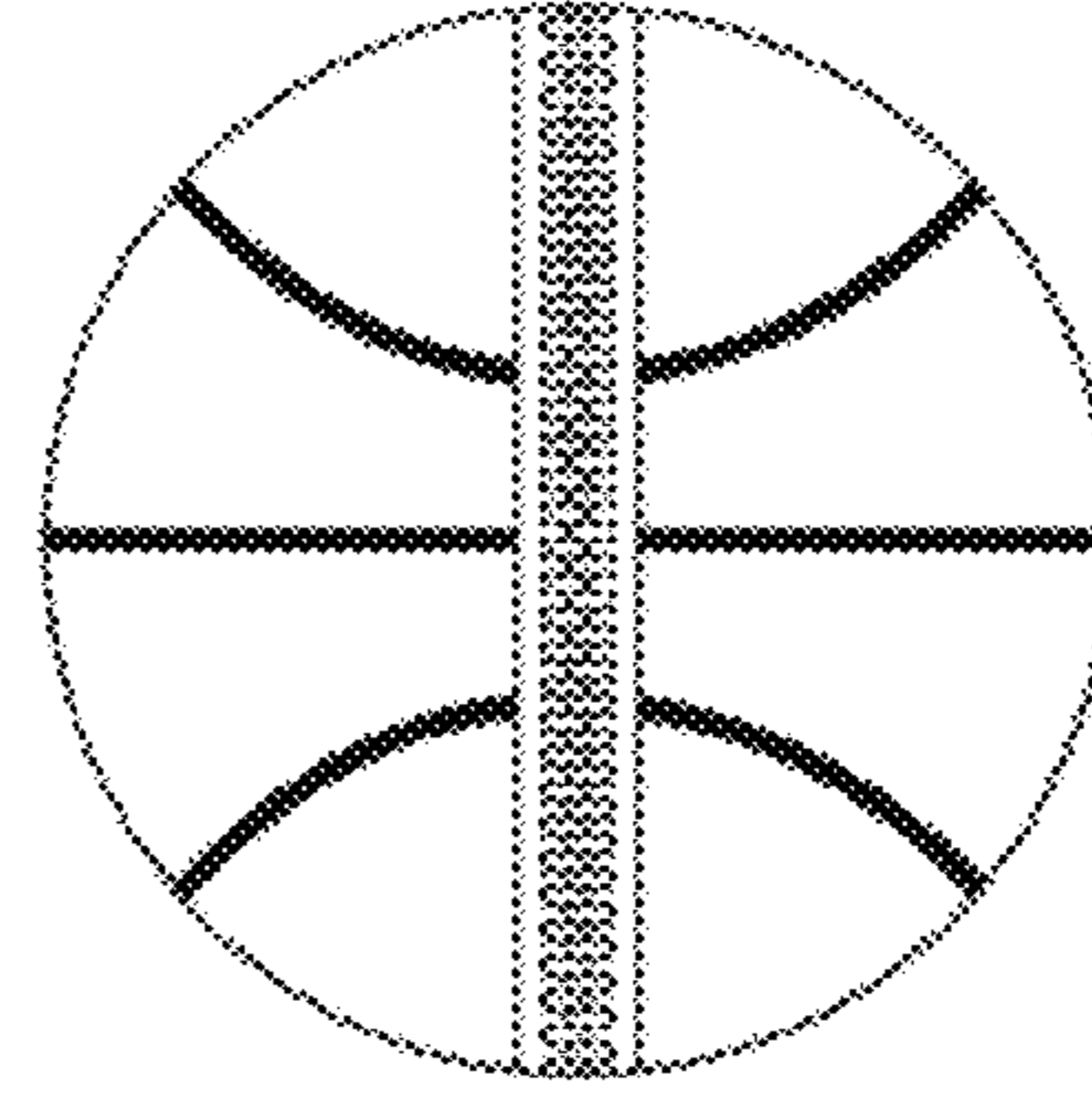


FIG. 2

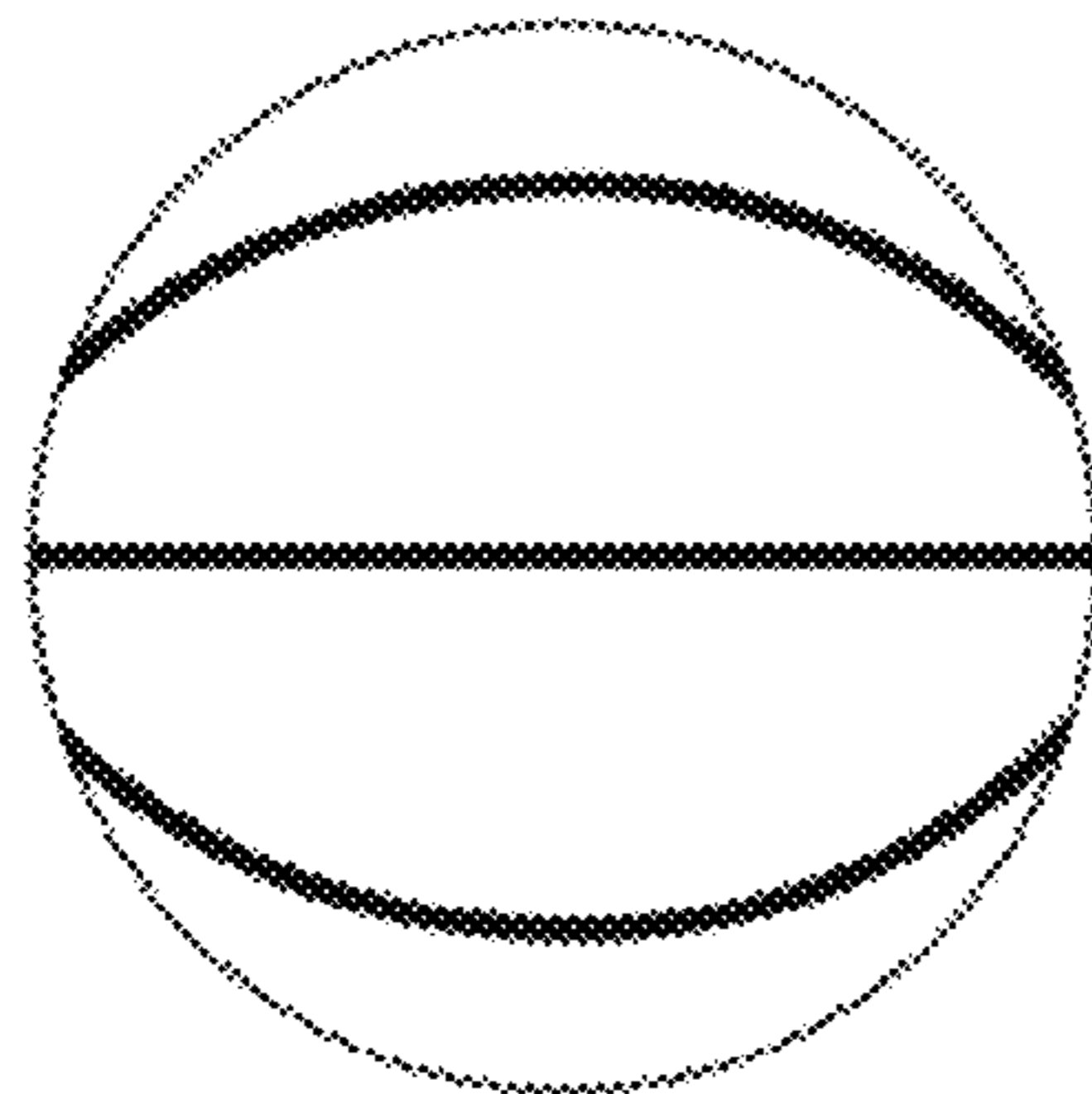


FIG. 3

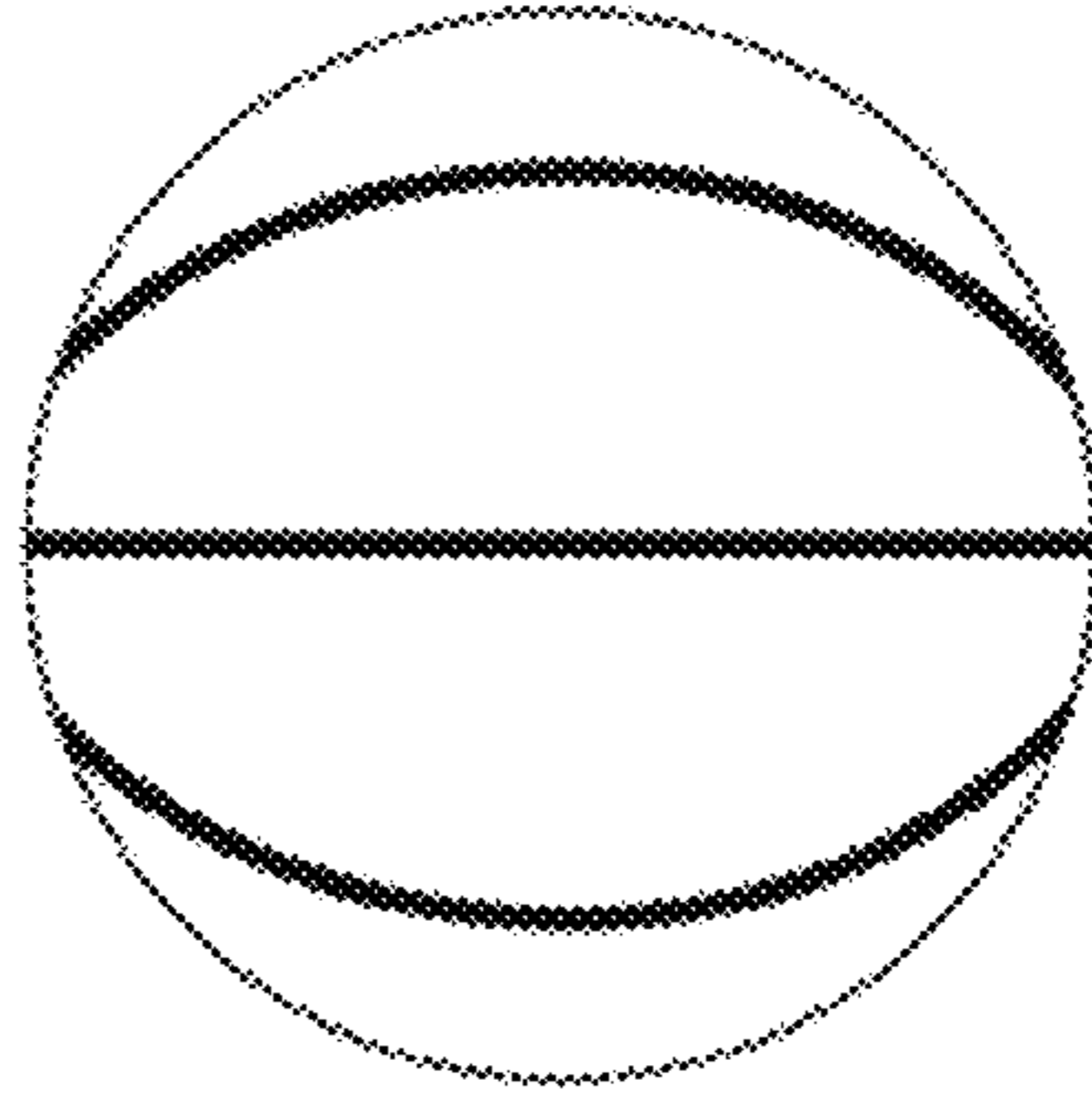


FIG. 4

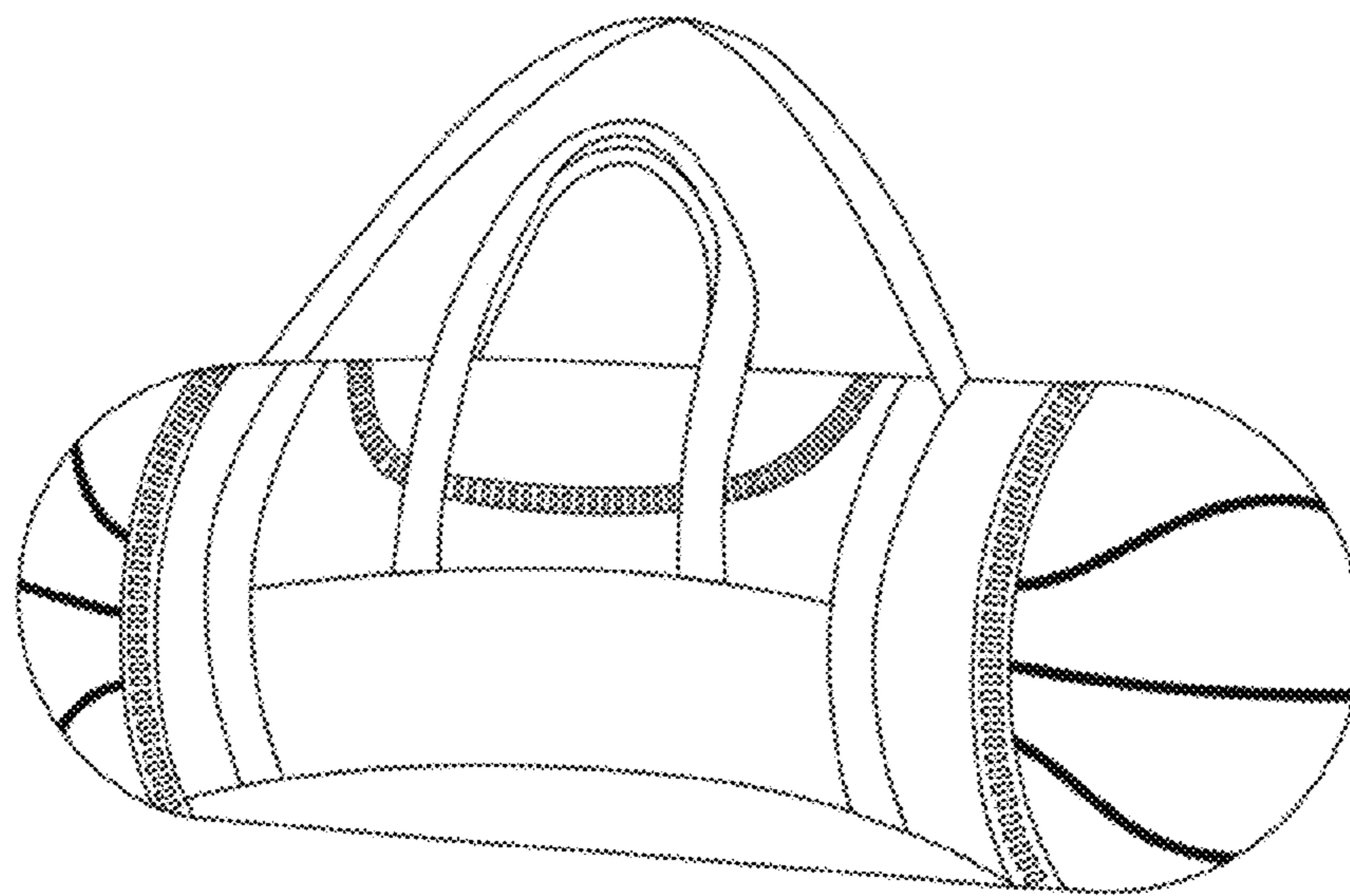


FIG. 5