



US00D747872S

(12) **United States Design Patent**  
**Paterno et al.**

(10) **Patent No.:** **US D747,872 S**  
(45) **Date of Patent:** **\*\* Jan. 26, 2016**

(54) **HANDBAG**

(71) Applicant: **Baker Bloom LLC**, Haverford, PA (US)

(72) Inventors: **Beth Paterno**, Haverford, PA (US);  
**Janet Coady**, Haverford, PA (US)

(73) Assignee: **BAKER BLOOM, LLC**, Haverford, PA (US)

(\*\*) Term: **14 Years**

(21) Appl. No.: **29/498,854**

(22) Filed: **Aug. 8, 2014**

(51) **LOC (10) Cl.** ..... **03-01**

(52) **U.S. Cl.**  
USPC ..... **D3/232**

(58) **Field of Classification Search**  
USPC ..... D3/218, 227, 232–233, 239, 240–243,  
D3/245, 289, 301, 303, 318, 323, 327, 328,  
D3/900; D8/97, 107, 300, 303, 313, 314,  
D8/321; D15/5, 18  
CPC ..... Y10T 24/2586; Y10T 24/2589; Y10T  
24/257; Y10T 24/25; A44B 19/262; A44B  
19/26; A44B 19/00; A41F 1/008; A41D  
2300/322; A45C 11/324  
See application file for complete search history.

(56) **References Cited**

**U.S. PATENT DOCUMENTS**

D95,295 S \* 4/1935 Walinsky ..... D3/243  
D95,694 S \* 5/1935 Lewis ..... D3/243  
D406,456 S \* 3/1999 McDermott ..... D3/201  
D425,699 S \* 5/2000 Lau ..... D3/226  
D455,549 S \* 4/2002 Hersh ..... D3/232

D572,468 S \* 7/2008 Nair ..... D3/232  
D602,248 S \* 10/2009 Wilson ..... D3/232  
D635,355 S \* 4/2011 Smith ..... D3/232  
D656,726 S \* 4/2012 Flores ..... D3/232  
D714,048 S \* 9/2014 Wang ..... D3/232  
D724,837 S \* 3/2015 Ojasaar ..... D3/232

\* cited by examiner

*Primary Examiner* — Robert M Spear

*Assistant Examiner* — Eliza Bennett-Hattan

(74) *Attorney, Agent, or Firm* — Maryellen Feehery Hank;  
Reed Smith LLP

(57) **CLAIM**

The ornamental design for a handbag, as shown and described.

**DESCRIPTION**

FIG. 1 is a 3D view of cover open and which the interior “dash-dot-dot-dash” line indicates there is no interior feature claims and the “dash-dash” lines indicate stitching on the object itself;

FIG. 2 is a front and rear elevation;

FIG. 3 is a front and rear elevation;

FIG. 4 is a side view of the applicator;

FIG. 5 is a top and bottom plan views;

FIG. 6 is a top and bottom plan view;

FIG. 7 is a view of the cover closed;

FIG. 8 is a view of the cover closed;

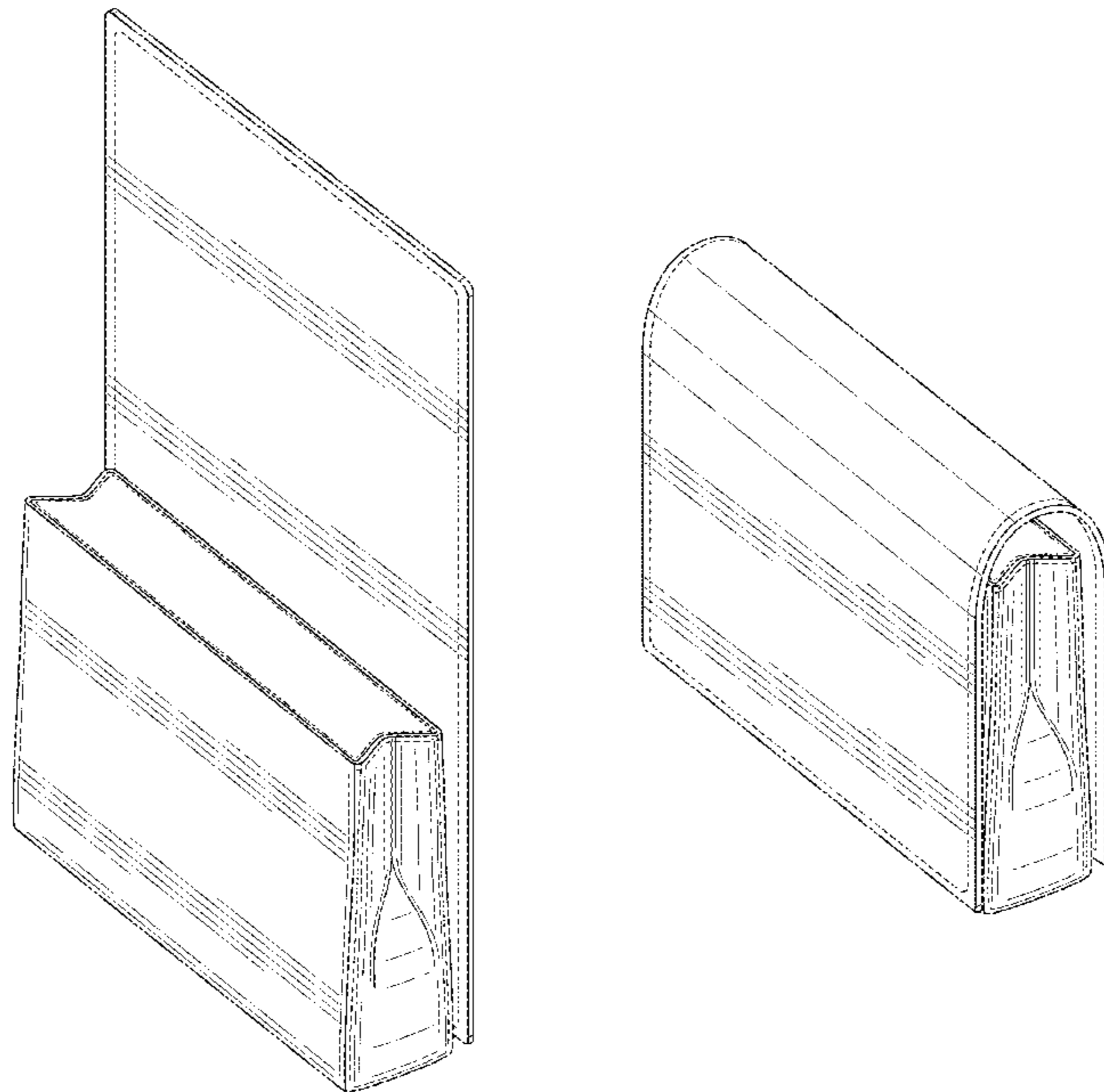
FIG. 9 is a view of the cover closed;

FIG. 10 is a view of the cover closed;

FIG. 11 is a view of the cover closed; and,

FIG. 12 is a view of the cover closed.

**1 Claim, 10 Drawing Sheets**



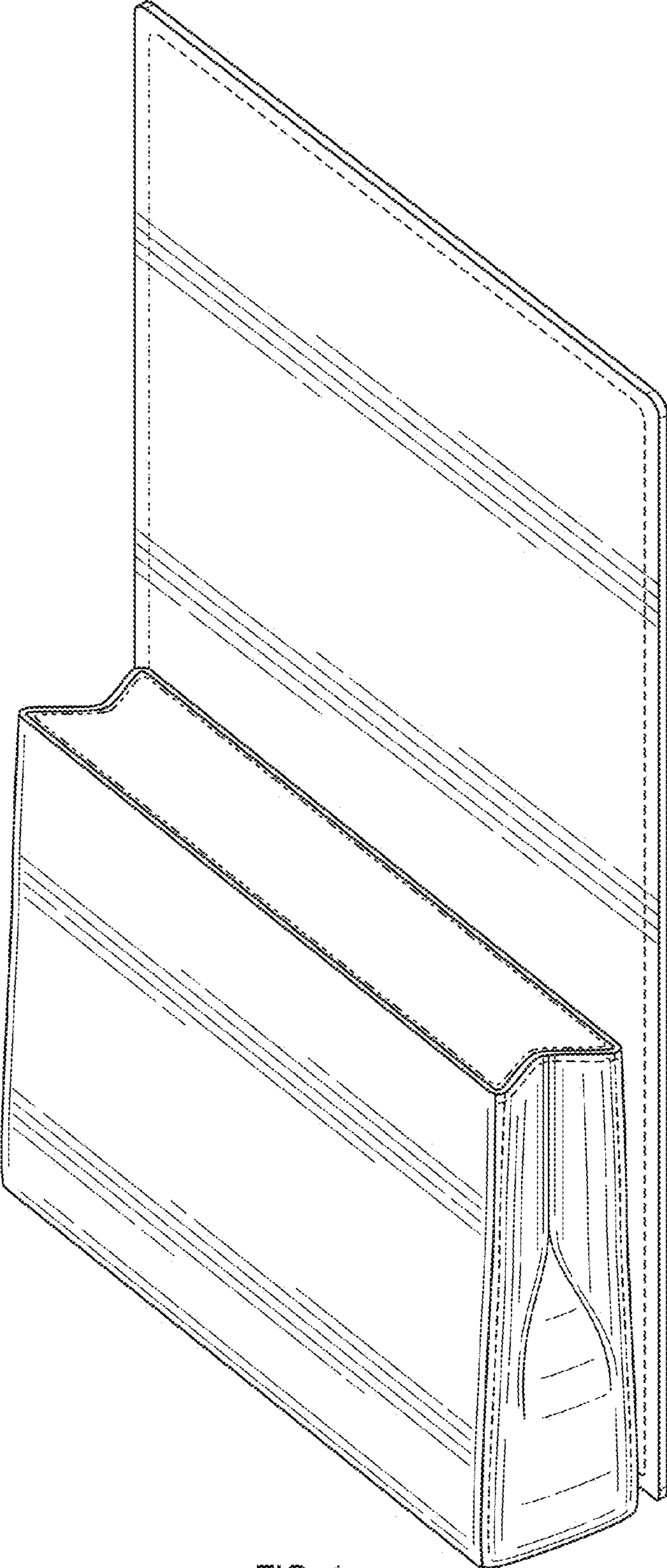


FIG. 1

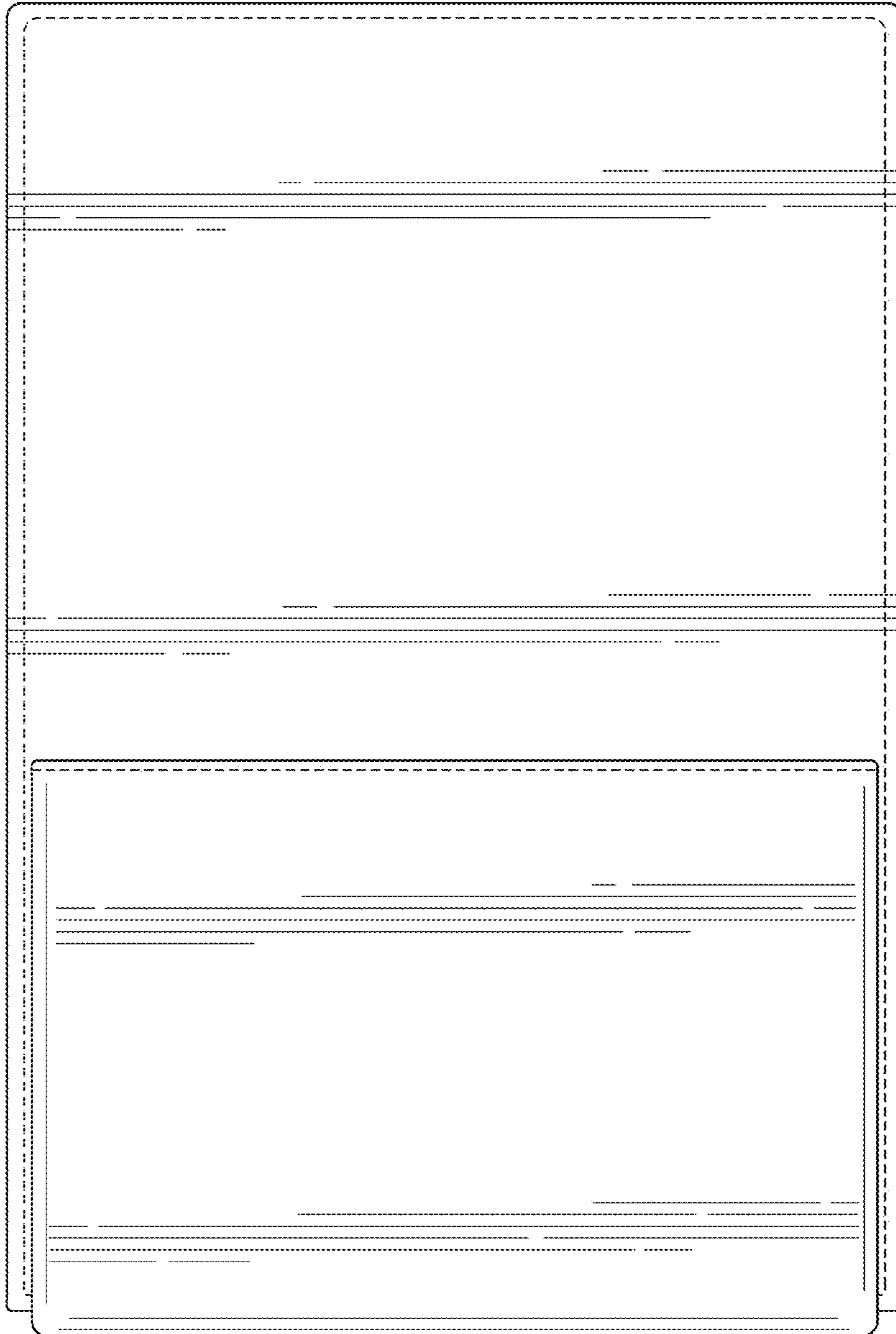


FIG. 2

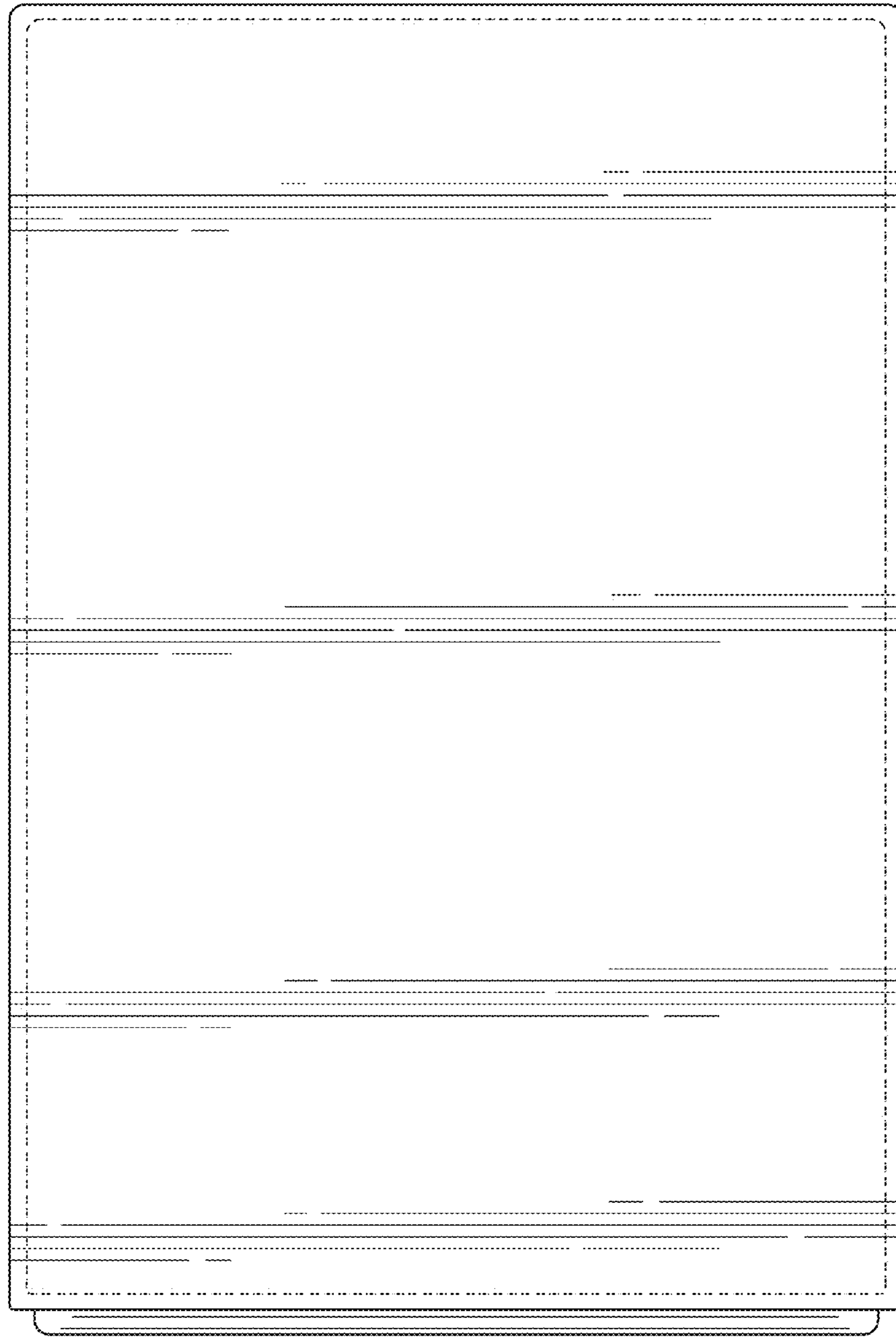


FIG. 3

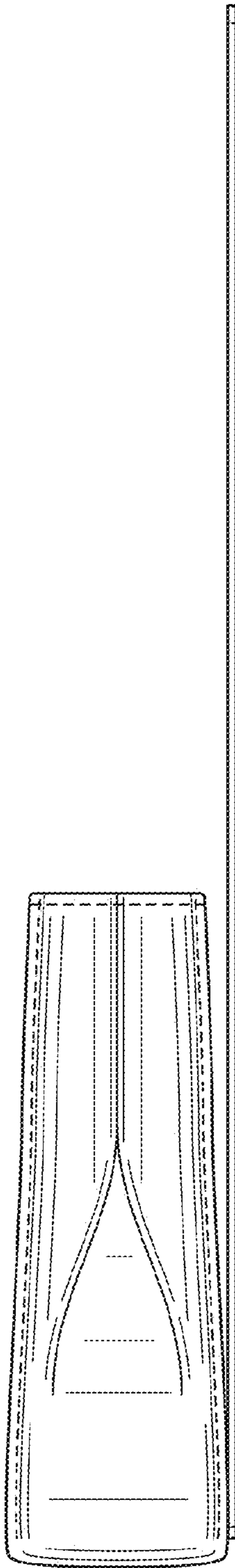


FIG. 4



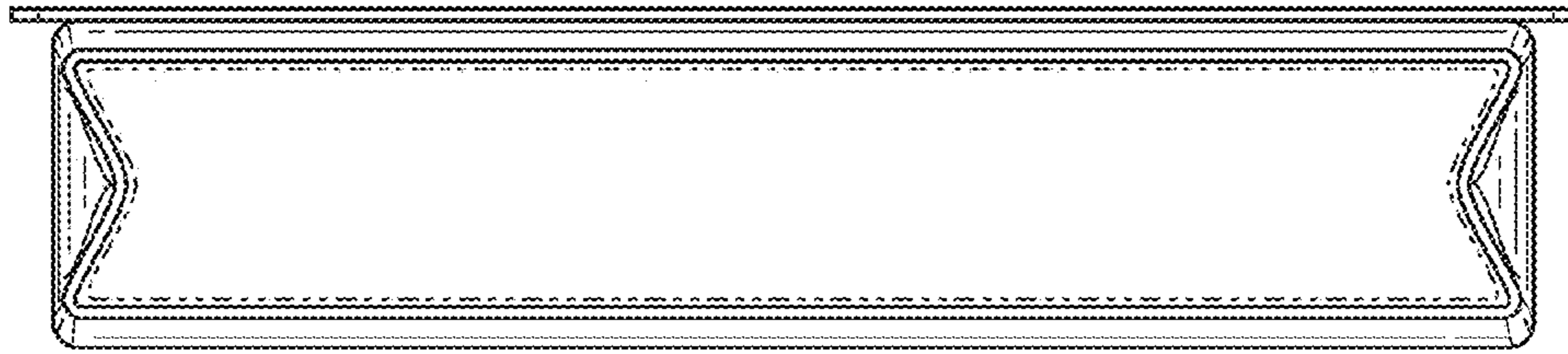


FIG. 5

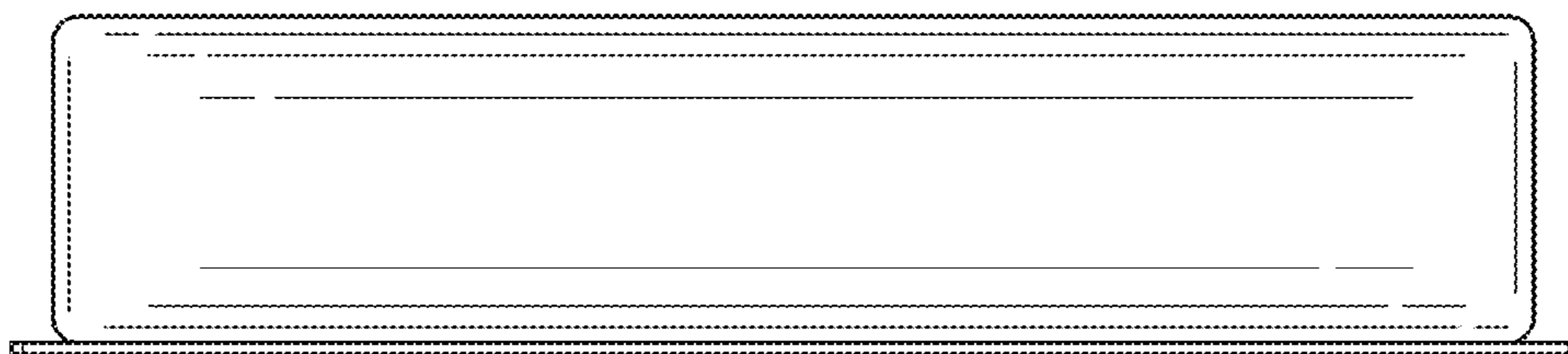


FIG. 6

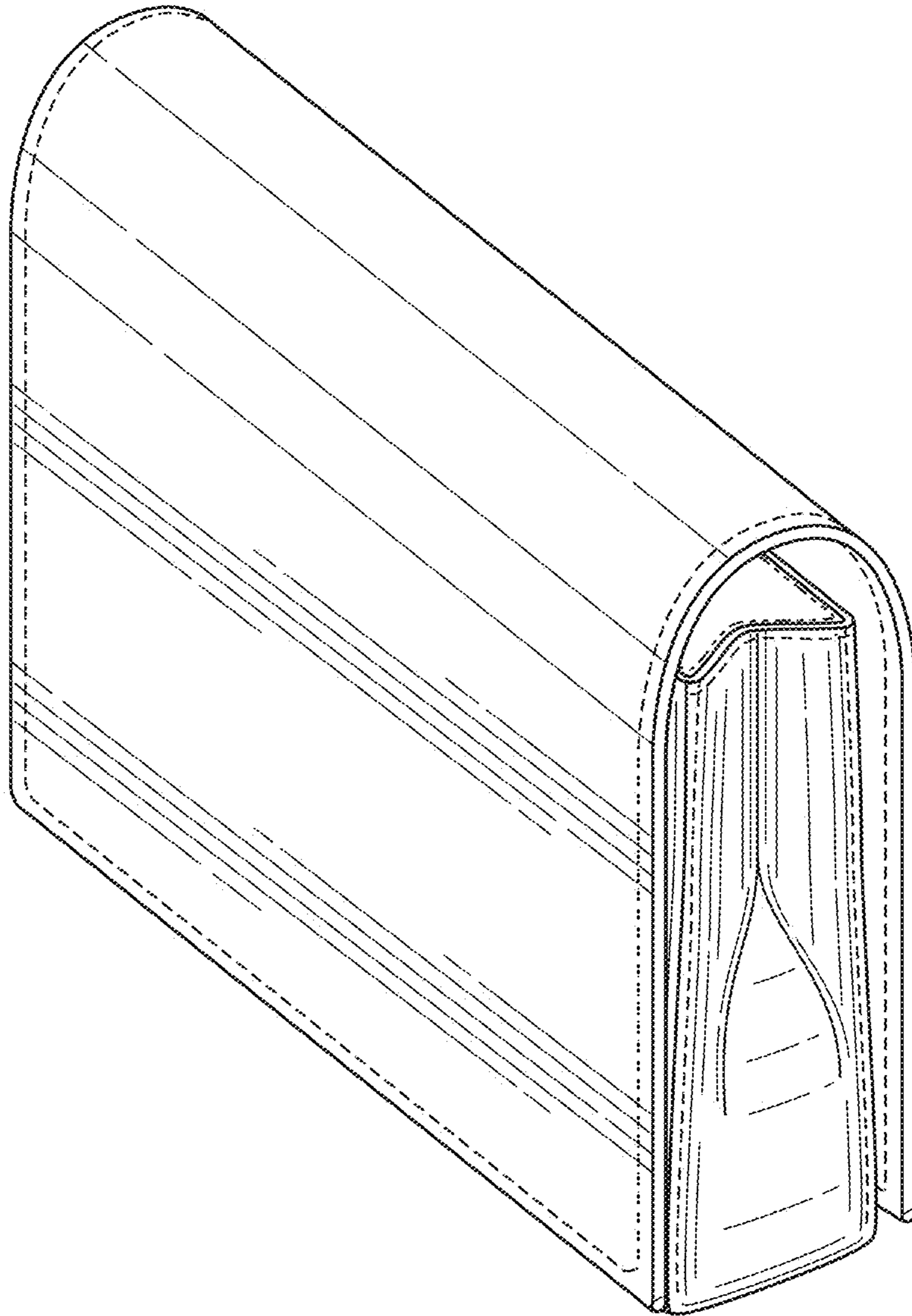


FIG. 7

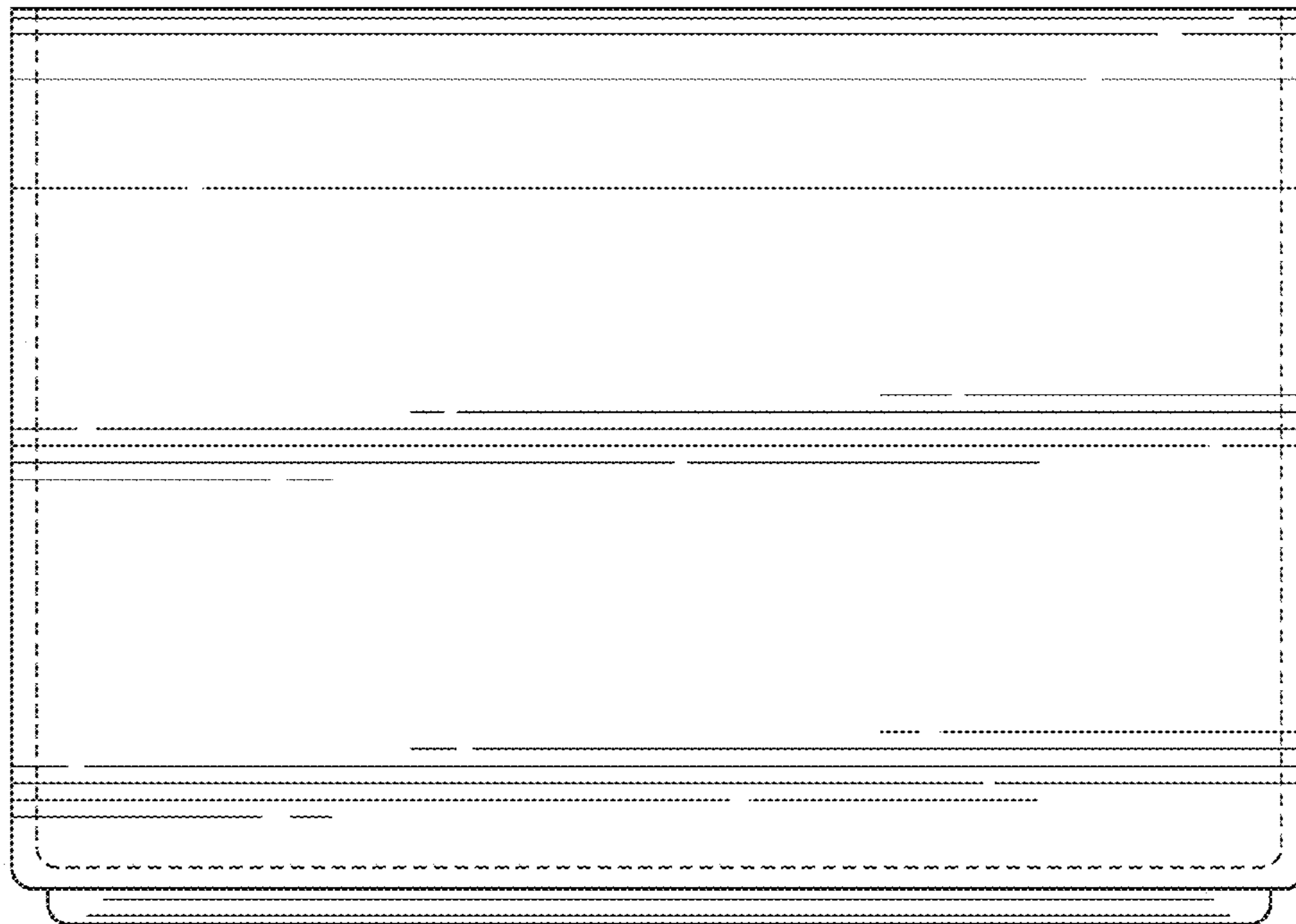


FIG. 8



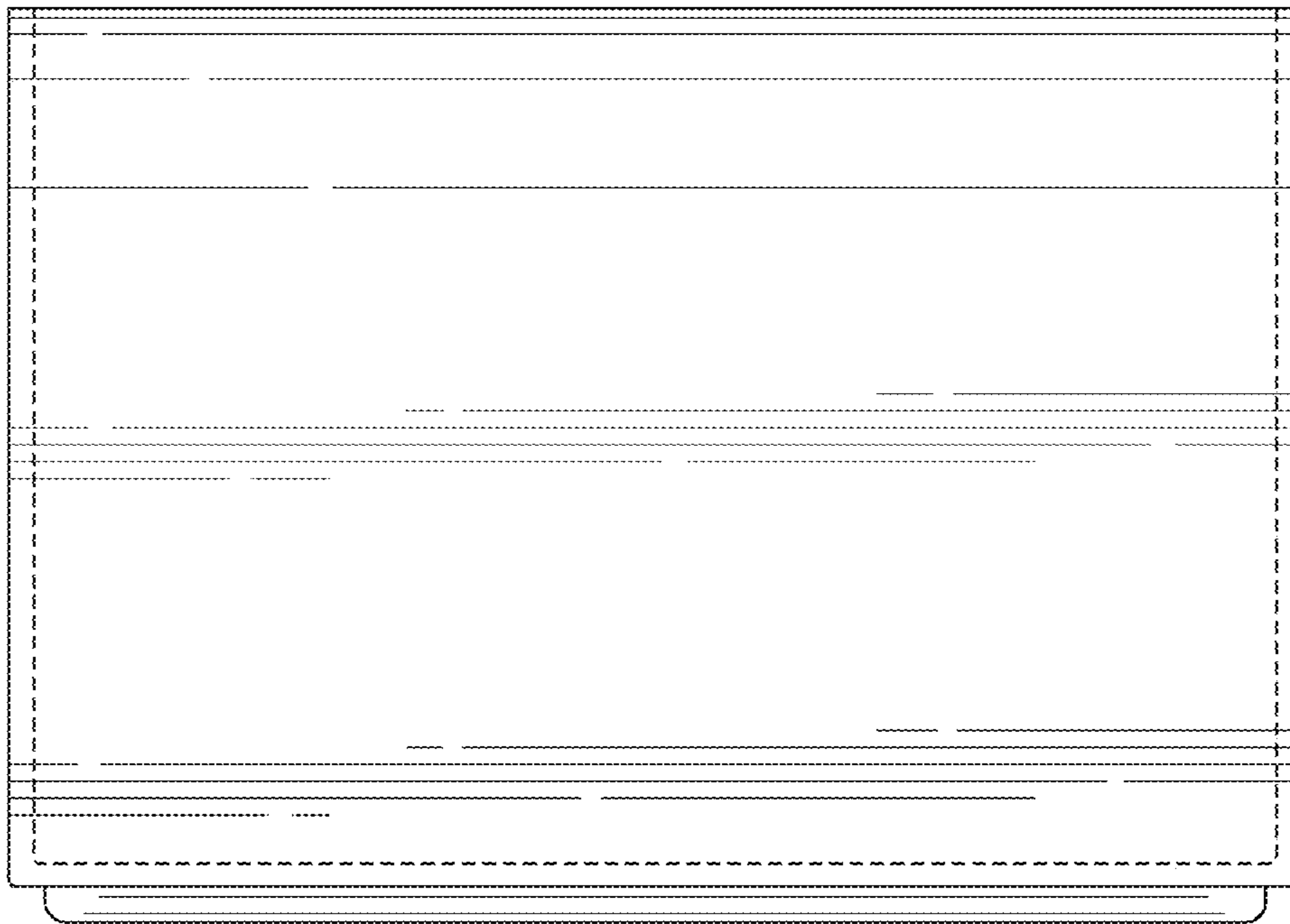


FIG. 9

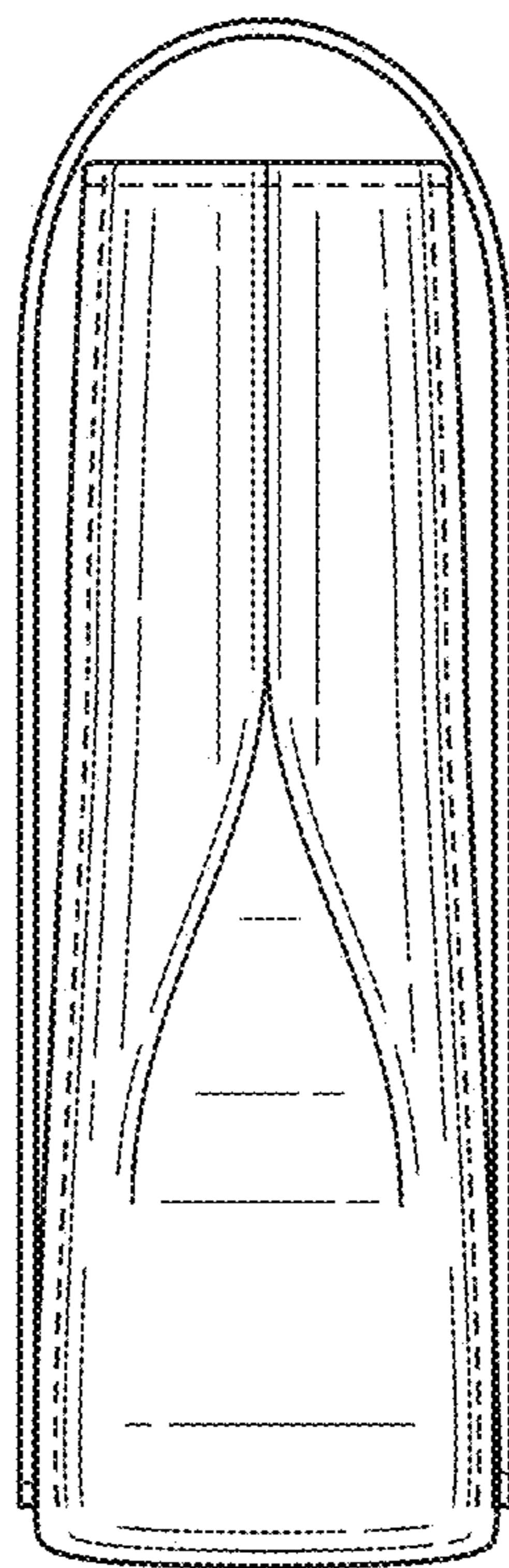


FIG. 10

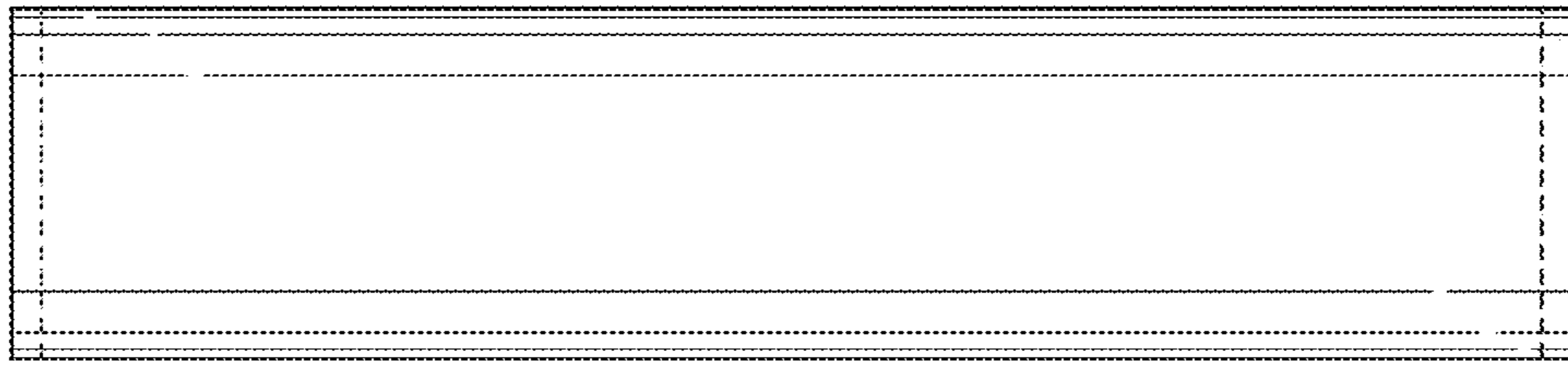


FIG. 11

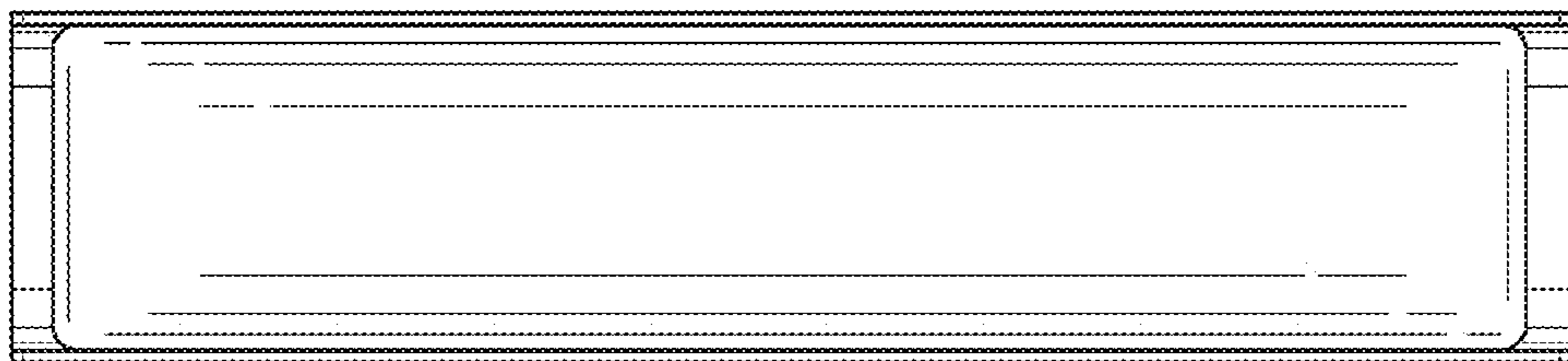


FIG. 12