



US00D747871S

(12) **United States Design Patent**
Mendoza

(10) **Patent No.:** **US D747,871 S**
(45) **Date of Patent:** **** Jan. 26, 2016**

- (54) **BABY BUCKLE**
- (71) Applicant: **Teresa Mendoza**, Pacifica, CA (US)
- (72) Inventor: **Teresa Mendoza**, Pacifica, CA (US)
- (**) Term: **14 Years**
- (21) Appl. No.: **29/484,624**
- (22) Filed: **Mar. 11, 2014**
- (51) **LOC (10) Cl.** **03-01**
- (52) **U.S. Cl.**
USPC **D3/226**
- (58) **Field of Classification Search**
USPC D3/213, 226
CPC A47D 13/02; A47D 13/025
See application file for complete search history.

- D448,925 S * 10/2001 Willows et al. D3/226
- D481,534 S * 11/2003 Andrew D3/226
- D527,519 S * 9/2006 Yee D3/213

* cited by examiner

Primary Examiner — Mitchell Siegel
(74) *Attorney, Agent, or Firm* — Paul D. Chancellor; Ocean Law

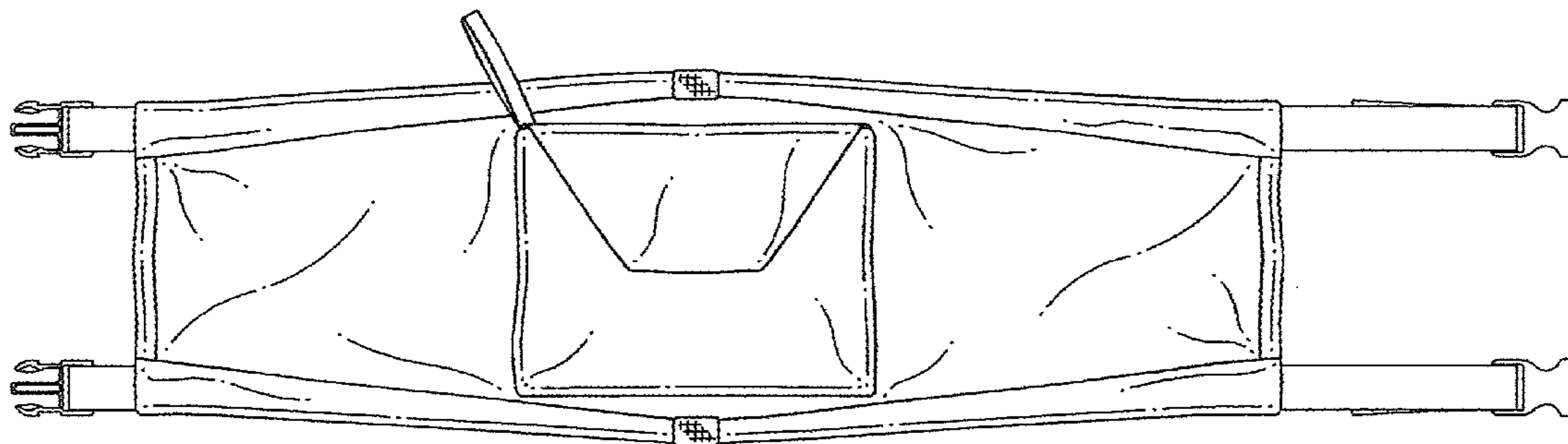
(57) **CLAIM**
The ornamental design for a baby buckle, as shown and described.

DESCRIPTION

FIG. 1 is a front view of the baby buckle showing our new design in use;
FIG. 2 is a top view of FIG. 1;
FIG. 3 is a rear view of FIG. 1;
FIG. 4 is a front view of the baby buckle fully extended;
FIG. 5 is a top view of FIG. 4; and,
FIG. 6 is a rear view of FIG. 4.
The shade lines in the Figures show contour and not surface ornamentation.

- (56) **References Cited**
U.S. PATENT DOCUMENTS
3,229,873 A * 1/1966 Hershman 224/160
D340,806 S * 11/1993 Gonzalez D3/226

1 Claim, 4 Drawing Sheets



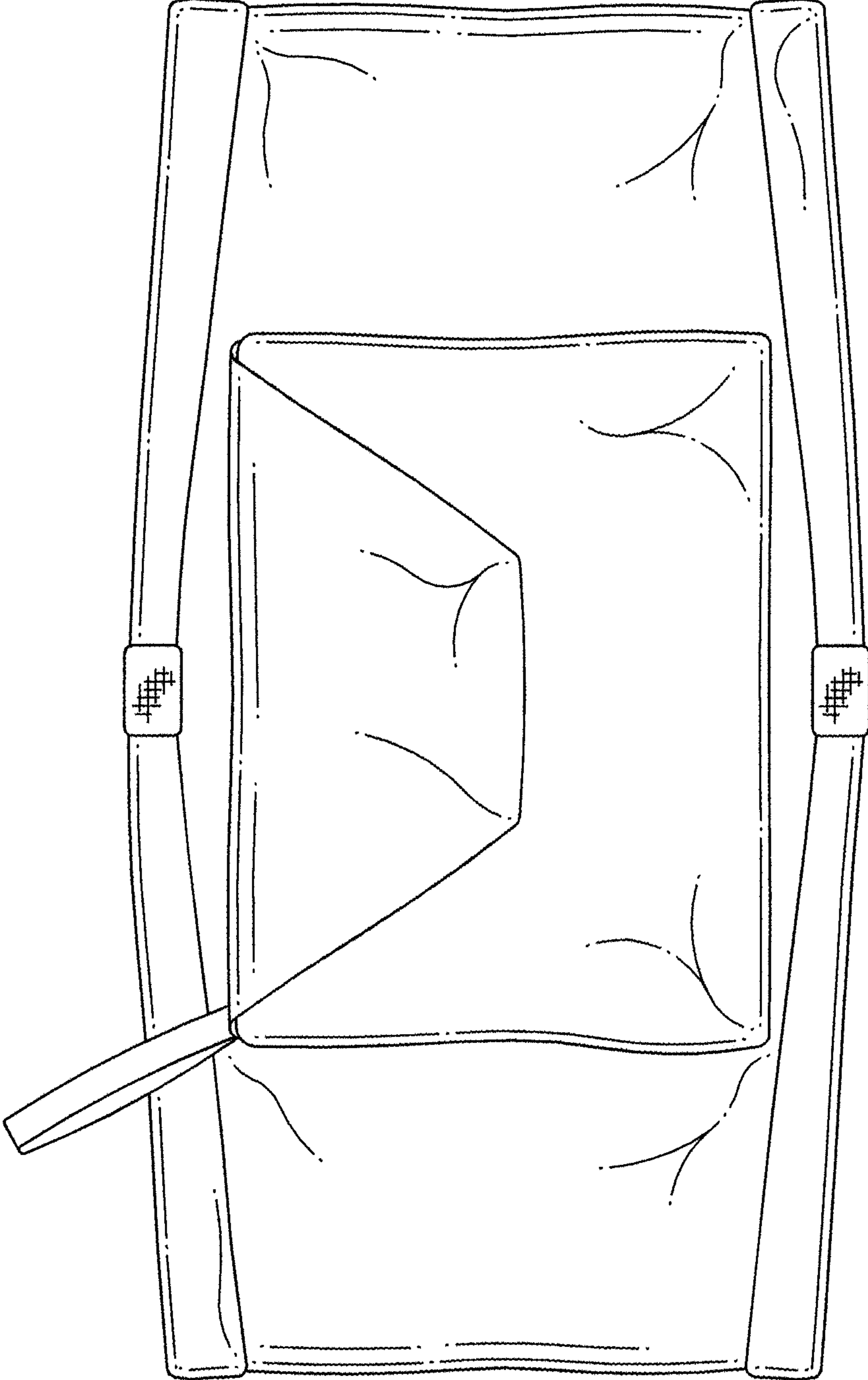


FIG. 1

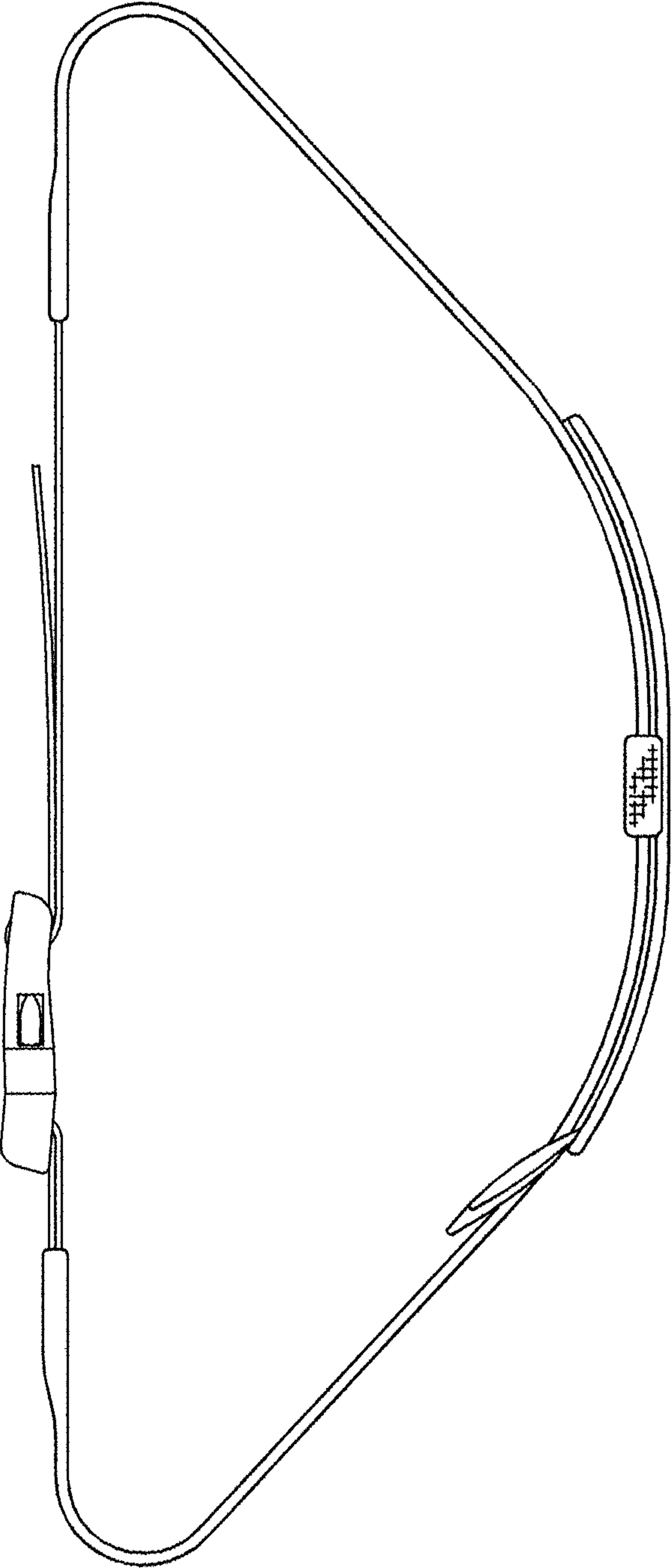


FIG. 2

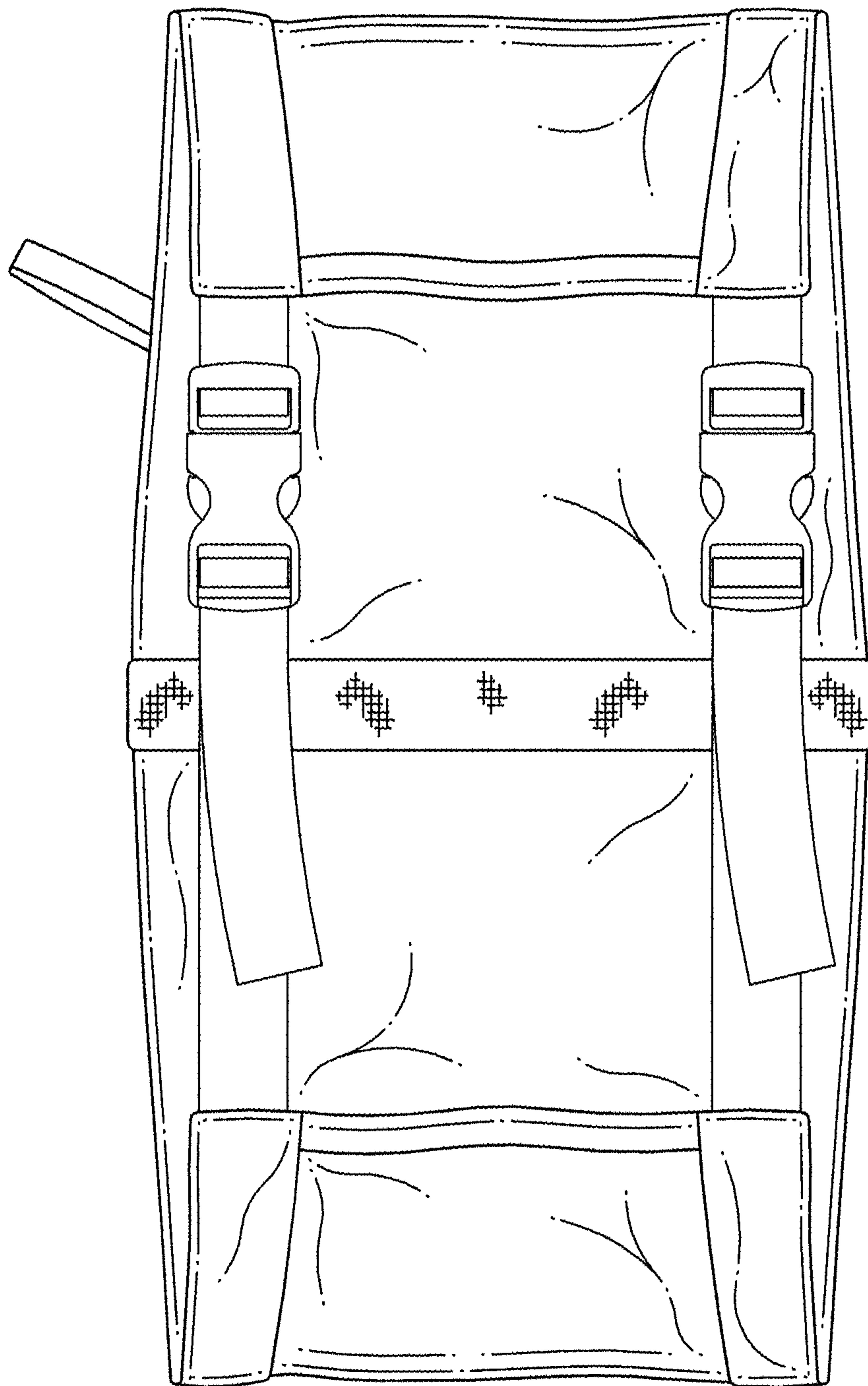


FIG. 3

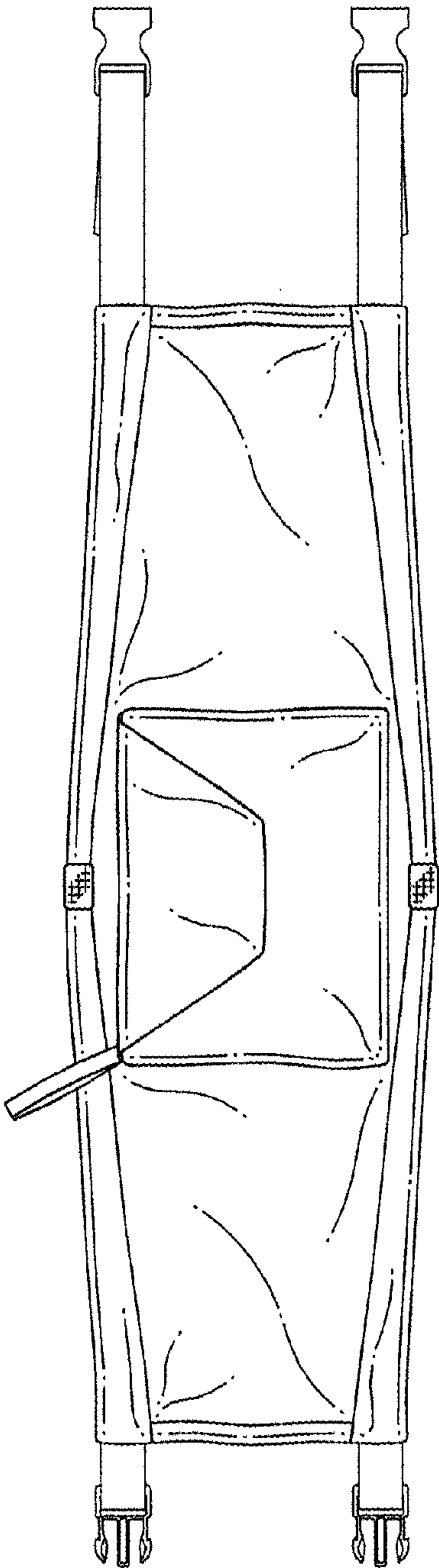


FIG. 4



FIG. 5

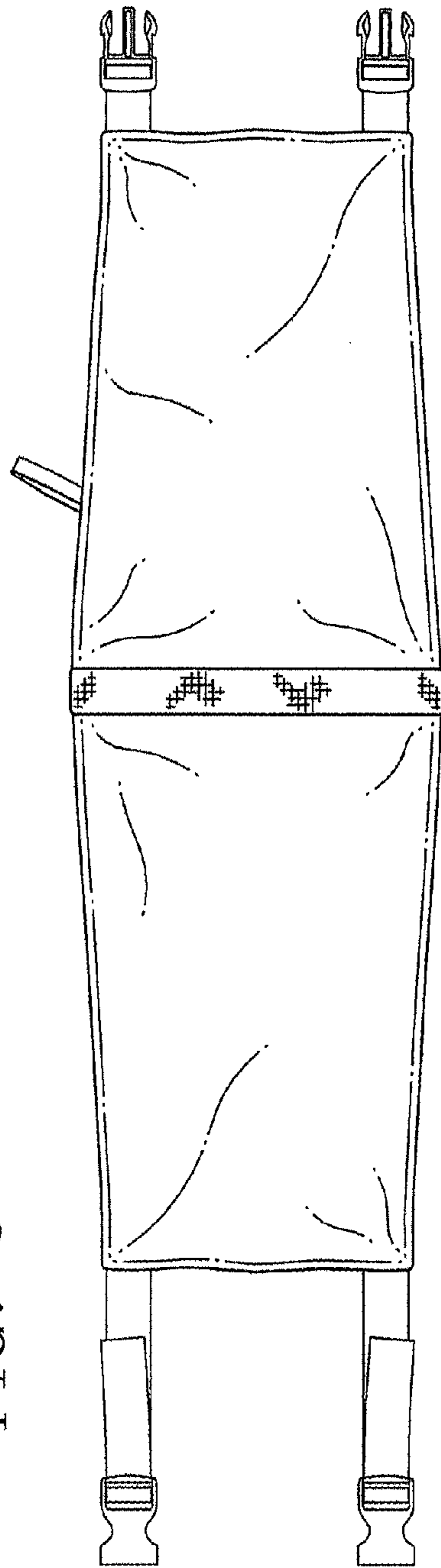


FIG. 6