



US00D747869S

(12) **United States Design Patent**  
**Priebe**

(10) **Patent No.:** **US D747,869 S**  
(45) **Date of Patent:** **\*\* Jan. 26, 2016**

(54) **TRANSPARENT PILL CONTAINER**

(71) Applicant: **Apothecary Products, LLC**, Burnsville, MN (US)

(72) Inventor: **Robert N. Priebe**, Bloomington, MN (US)

(73) Assignee: **Apothecary Products, LLC**, Burnsville, MN (US)

(\*\*) Term: **14 Years**

(21) Appl. No.: **29/491,547**

(22) Filed: **May 22, 2014**

(51) **LOC (10) Cl.** ..... **03-01**

(52) **U.S. Cl.**  
USPC ..... **D3/203.3**

(58) **Field of Classification Search**  
USPC ..... D3/203.1–203.8, 205; 206/532–540;  
220/524

See application file for complete search history.

(56) **References Cited**

**U.S. PATENT DOCUMENTS**

D349,850 S \* 8/1994 Leman ..... D3/203.3  
D415,958 S \* 11/1999 Noble ..... D3/203.3

D430,392 S \* 9/2000 Noble ..... D3/201  
D528,782 S \* 9/2006 Oas ..... D3/203.3  
7,387,207 B2 \* 6/2008 Priebe ..... A61J 1/03  
206/532  
D613,496 S \* 4/2010 Waring ..... D3/203.3  
8,381,911 B2 2/2013 Buchner et al.  
D691,366 S \* 10/2013 Muncy ..... D3/203.3  
D696,008 S 12/2013 Priebe et al.  
2004/0089581 A1 5/2004 Dienst  
2013/0056385 A1 3/2013 Thompson et al.

\* cited by examiner

*Primary Examiner* — Catheri Oliver-Garcia

(74) *Attorney, Agent, or Firm* — Merchant & Gould P.C.

(57) **CLAIM**

The ornamental design for transparent pill container, as shown and described.

**DESCRIPTION**

FIG. 1 is a perspective view of a first embodiment of a transparent pill container, according to our design;

FIG. 2 is a front view thereof;

FIG. 3 is a rear view thereof;

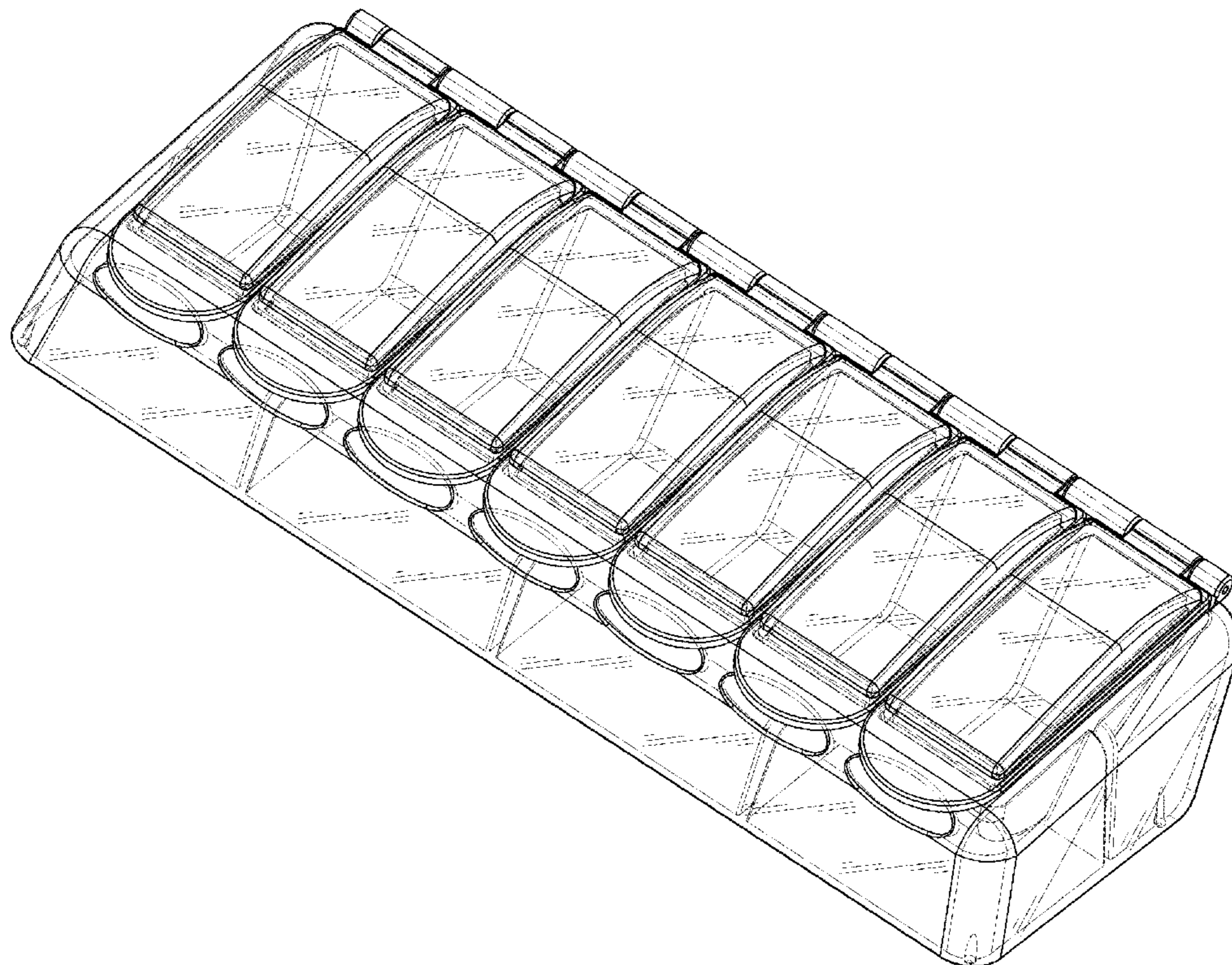
FIG. 4 is a right side view thereof;

FIG. 5 is a left side view thereof;

FIG. 6 is a top view thereof; and,

FIG. 7 is a bottom view thereof.

**1 Claim, 5 Drawing Sheets**





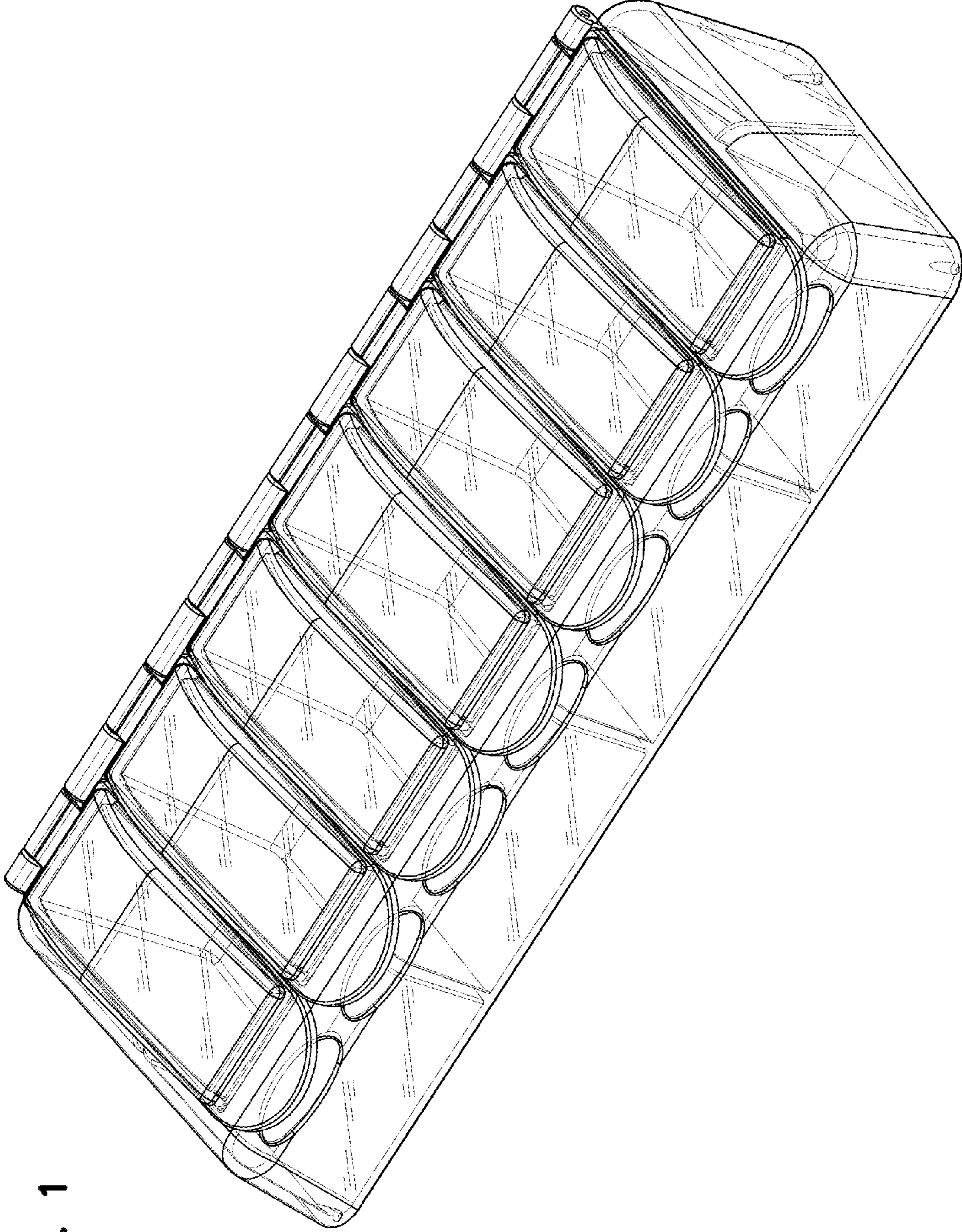


FIG. 1

FIG. 2

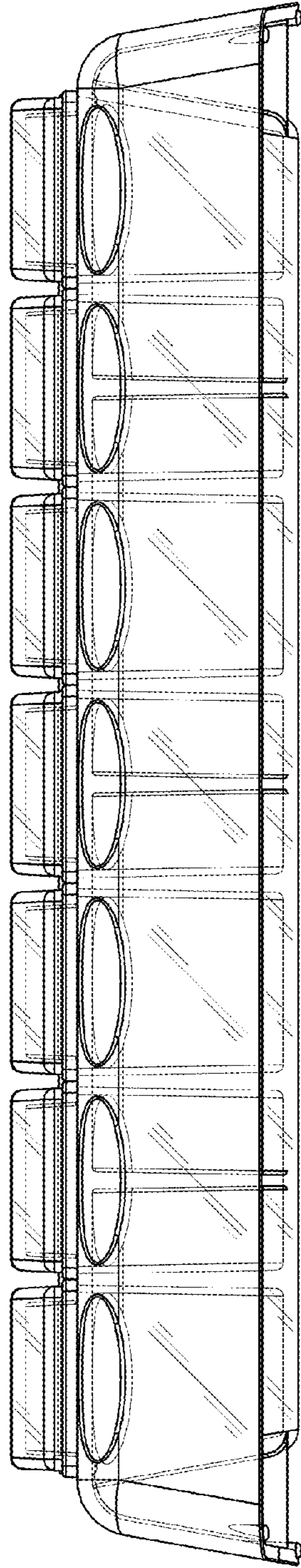


FIG. 3

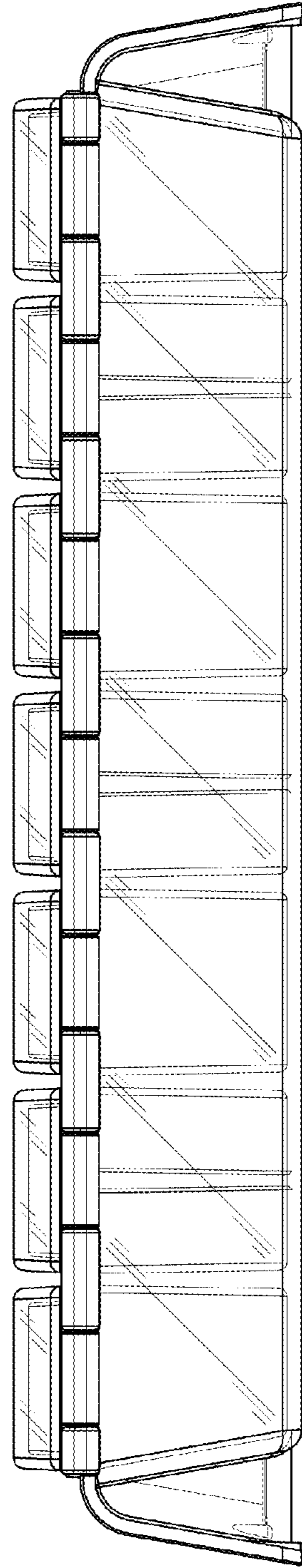


FIG. 4

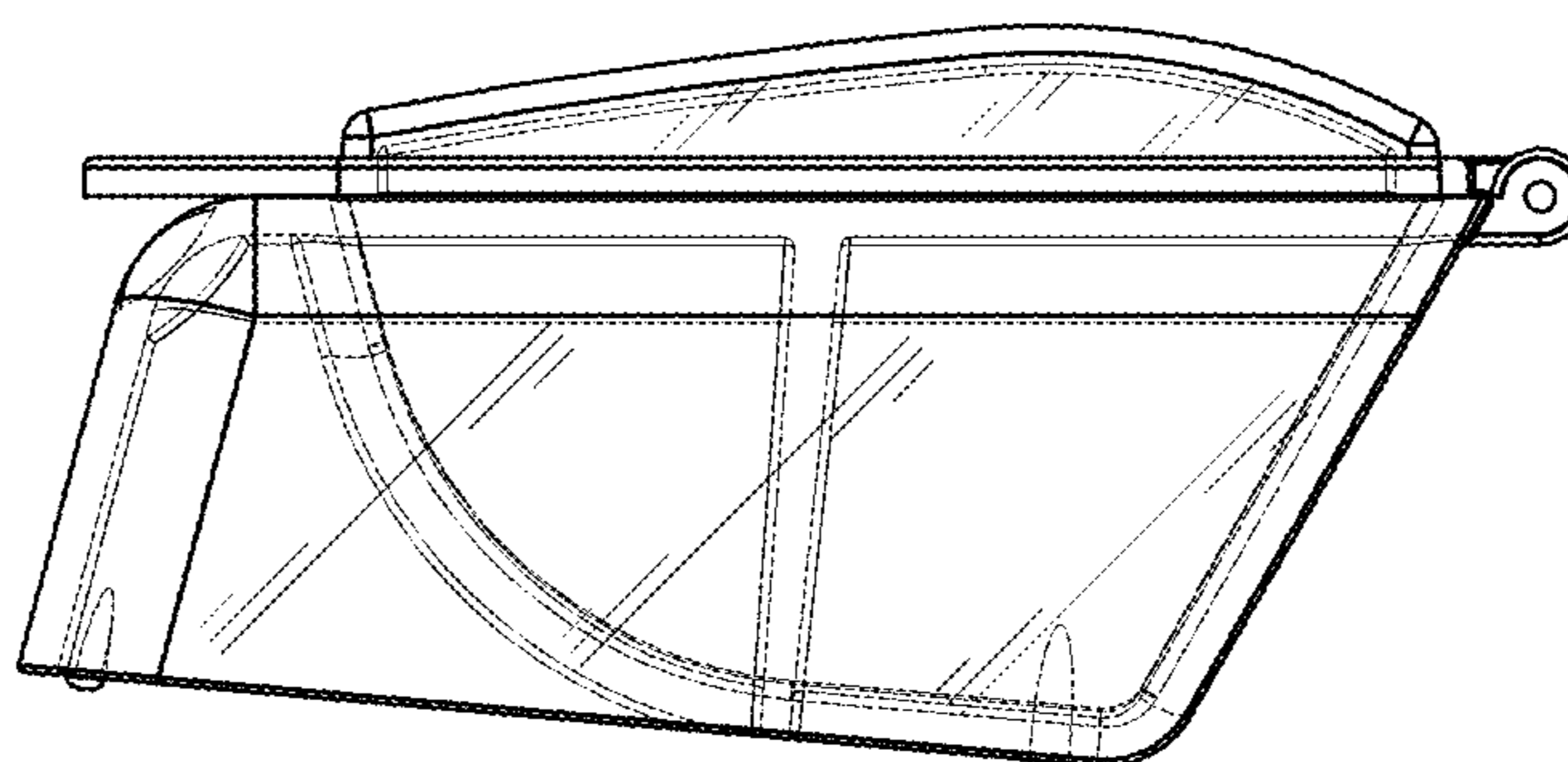
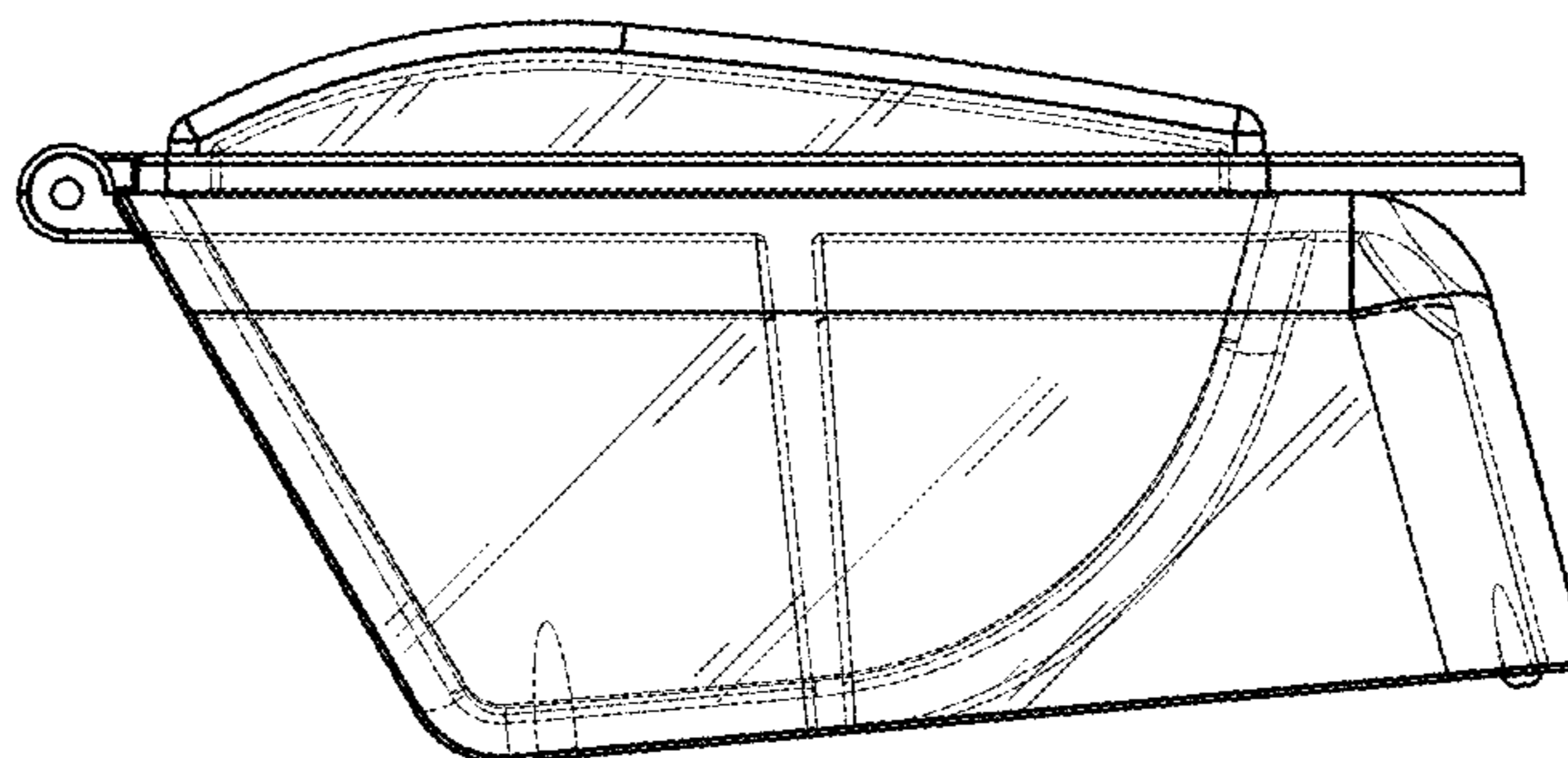


FIG. 5





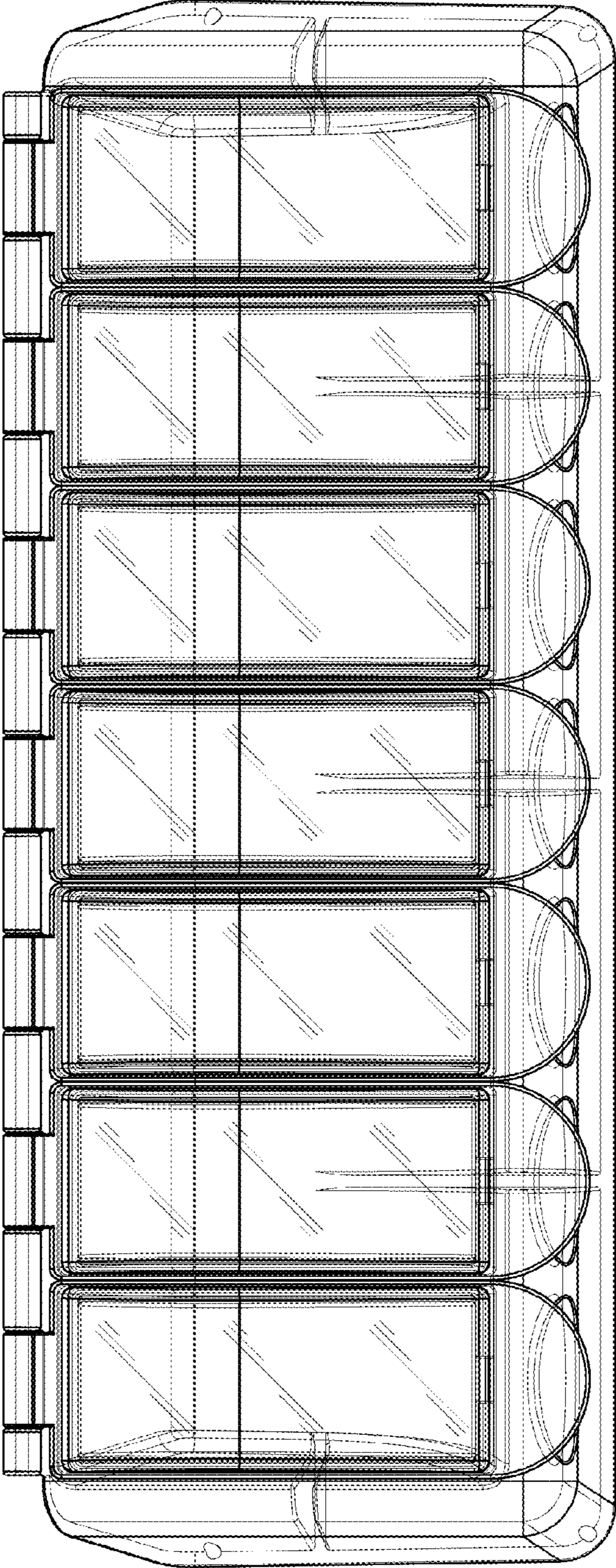


FIG. 6

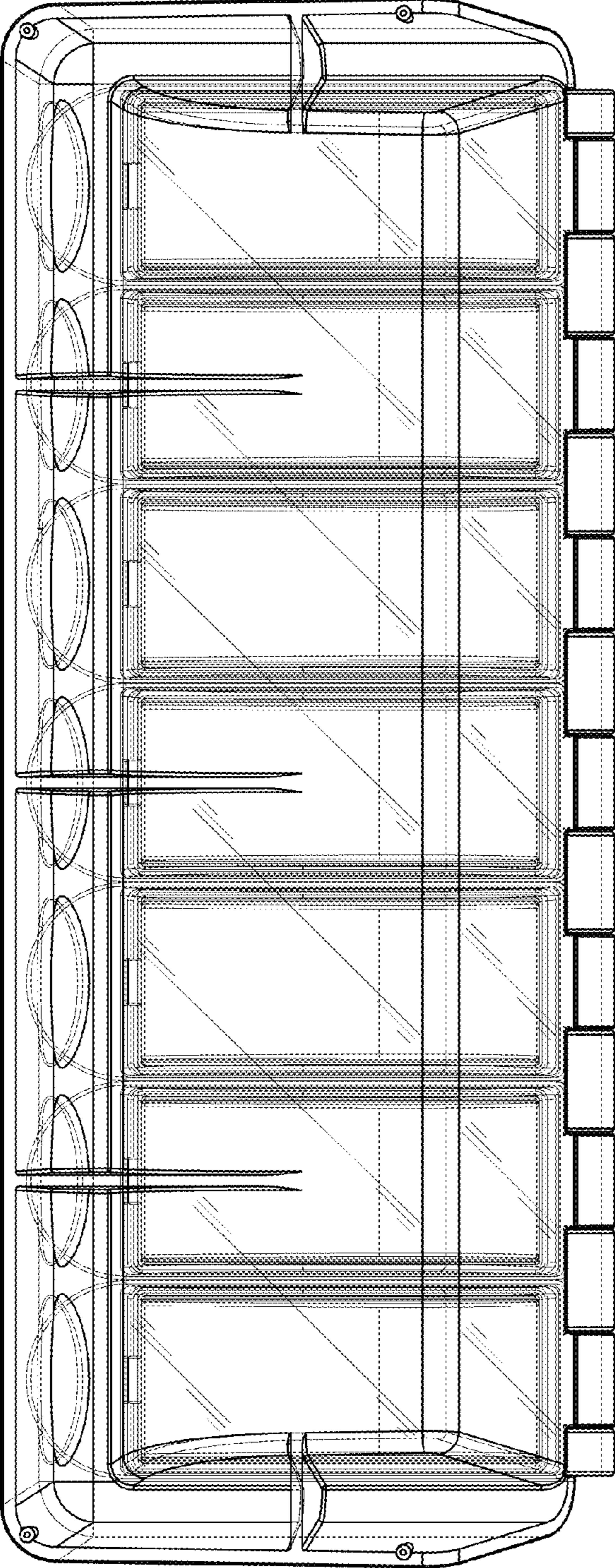


FIG. 7