



US00D747868S

(12) **United States Design Patent**
Steka et al.

(10) **Patent No.:** **US D747,868 S**

(45) **Date of Patent:** **** Jan. 26, 2016**

(54) **CASE**

(71) Applicant: **Posh GmbH**, Duesseldorf (DE)

(72) Inventors: **Thekla Steka**, Dusseldorf (DE); **Maria Victoria Casafus**, Dusseldorf (DE)

(73) Assignee: **posh global GmbH**, Duesseldorf (DE)

(**) Term: **14 Years**

(21) Appl. No.: **29/494,957**

(22) Filed: **Jun. 25, 2014**

(51) **LOC (10) Cl.** **03-01**

(52) **U.S. Cl.**
USPC **D3/201**

(58) **Field of Classification Search**
USPC D3/201, 212, 247–250, 272–273, 275,
D3/294–295, 301, 901, 903–904;
D28/78–79, 83; D7/538, 601, 629;
206/308.1, 308.3
CPC B65D 85/30; G11B 33/0444
See application file for complete search history.

(56) **References Cited**

U.S. PATENT DOCUMENTS

D111,536 S * 9/1938 Graff D3/295
D233,078 S * 10/1974 Mullins D28/78

D307,354 S * 4/1990 Knotter D3/294
D352,601 S * 11/1994 Dallaire D28/78
D549,053 S * 8/2007 Dellaferrera D3/294
D554,859 S * 11/2007 Sides D3/273
D560,487 S * 1/2008 Boettcher D3/294

* cited by examiner

Primary Examiner — Catheri Oliver-Garcia

(74) *Attorney, Agent, or Firm* — Fay Sharpe LLP

(57) **CLAIM**

The ornamental design for a case, as shown and described.

DESCRIPTION

FIG. 1 is a perspective view of a case showing a first embodiment of our new design;
FIG. 2 is a right side elevational view thereof, with a left side elevational view being a mirror image thereof;
FIG. 3 is a top plan view thereof;
FIG. 4 is a front elevational view thereof;
FIG. 5 is a rear elevational view thereof;
FIG. 6 is a bottom plan view thereof;
FIG. 7 is a perspective view of a case according to a second embodiment of our new design;
FIG. 8 is a right side elevational view thereof, with a left side elevational view being a mirror image thereof;
FIG. 9 is a top plan view thereof;
FIG. 10 is a front elevational view thereof;
FIG. 11 is a rear elevational view thereof; and,
FIG. 12 is a bottom plan view thereof.

1 Claim, 4 Drawing Sheets

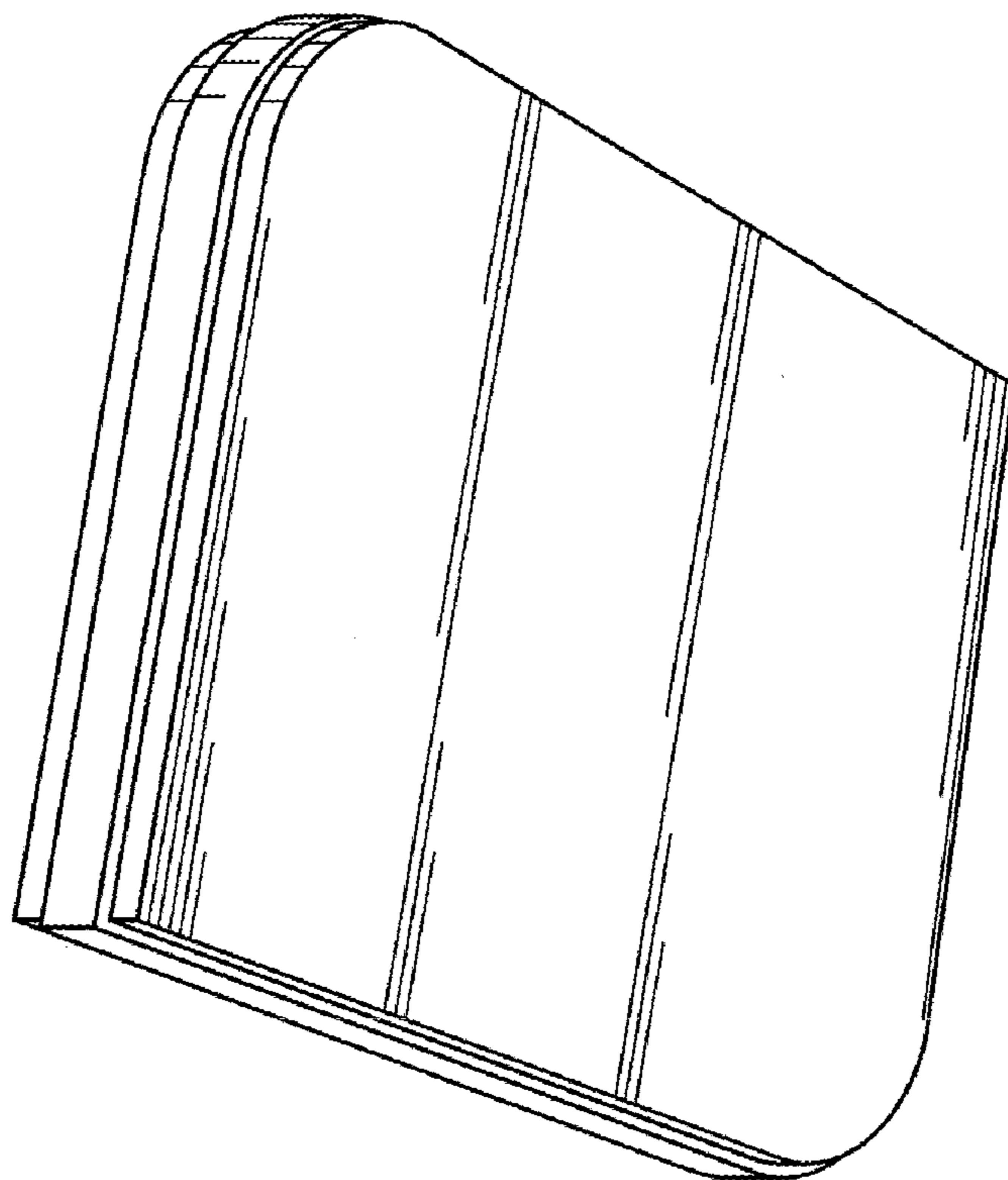


FIG. 1

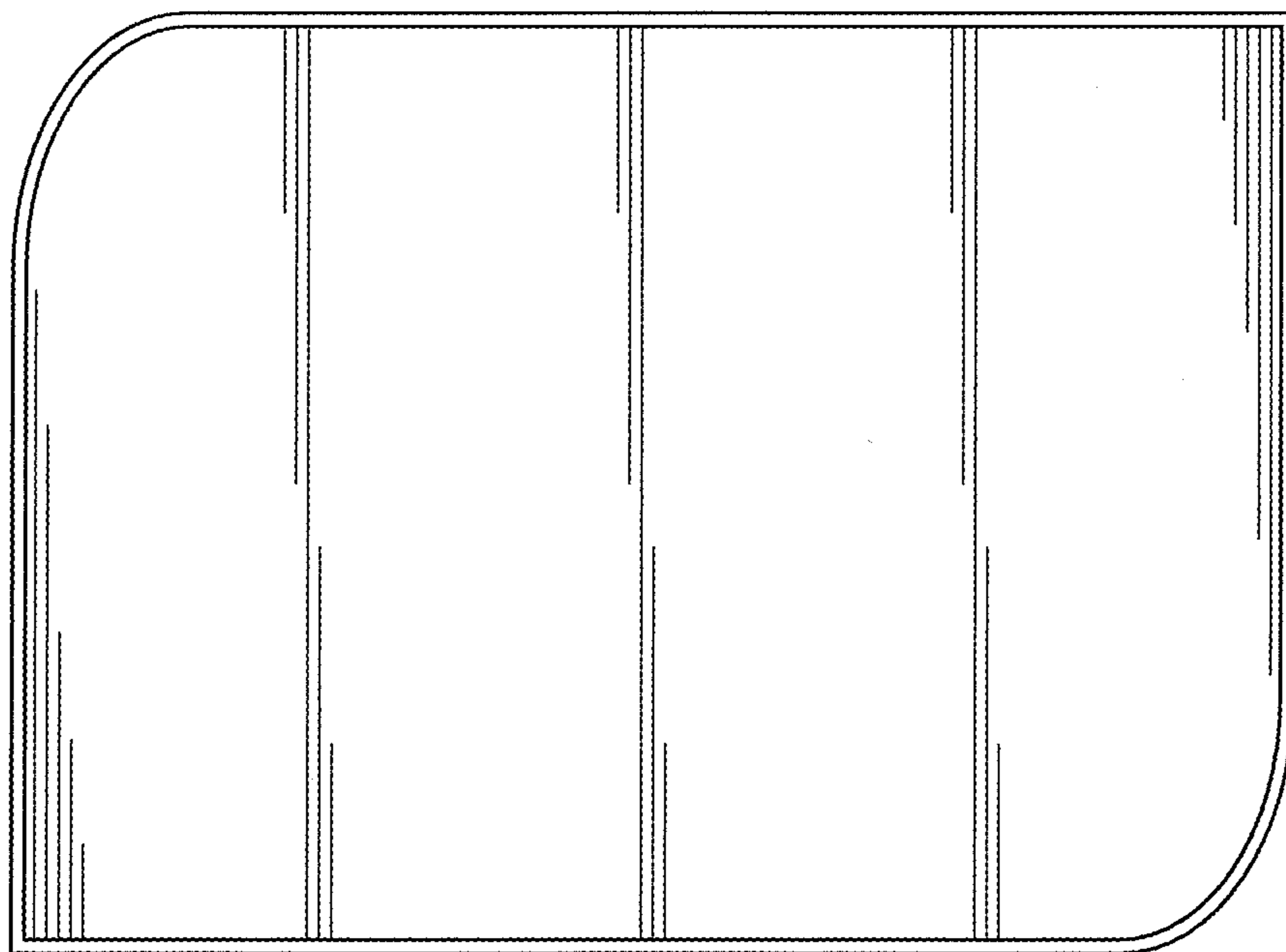
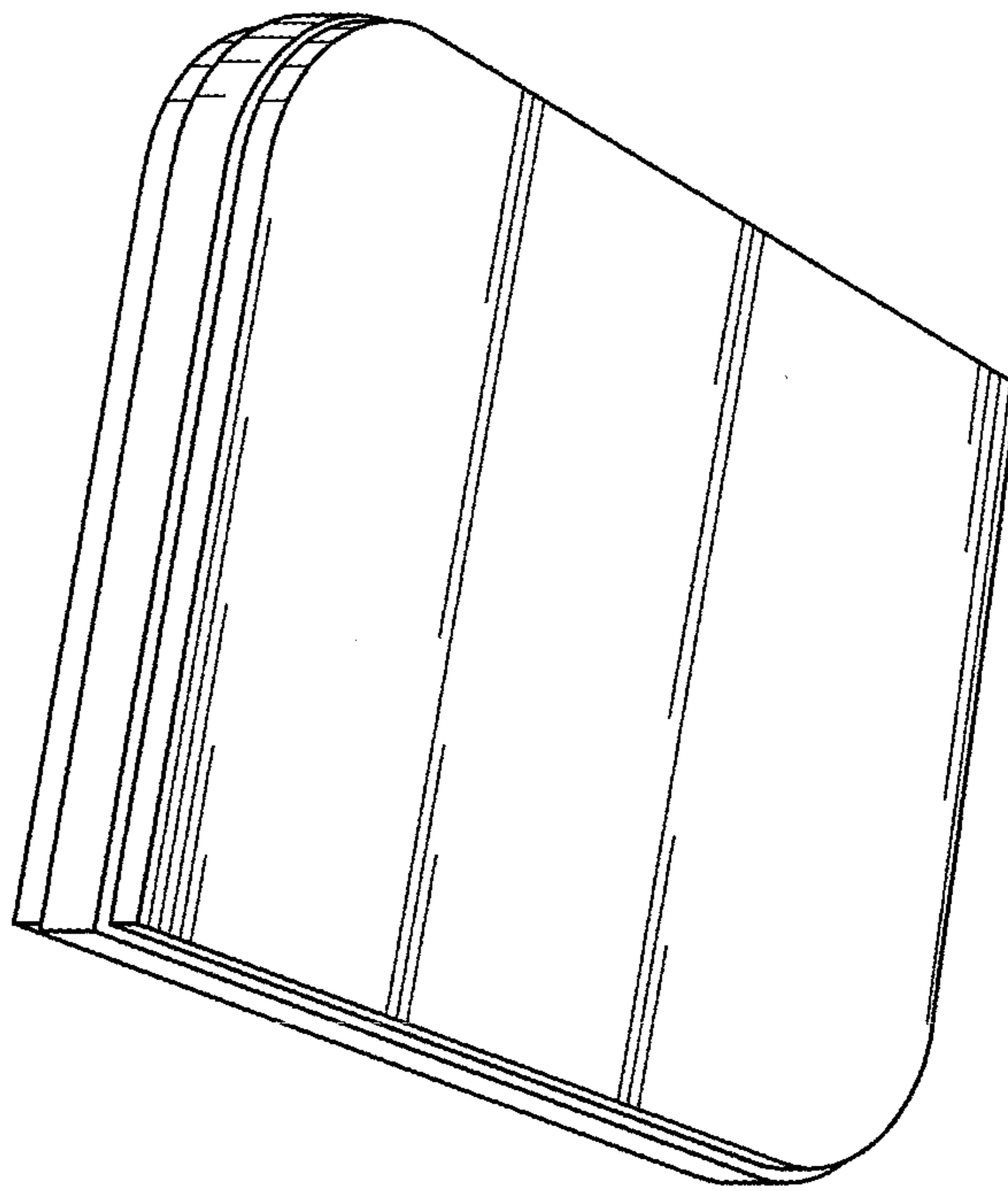


FIG. 2



FIG. 3

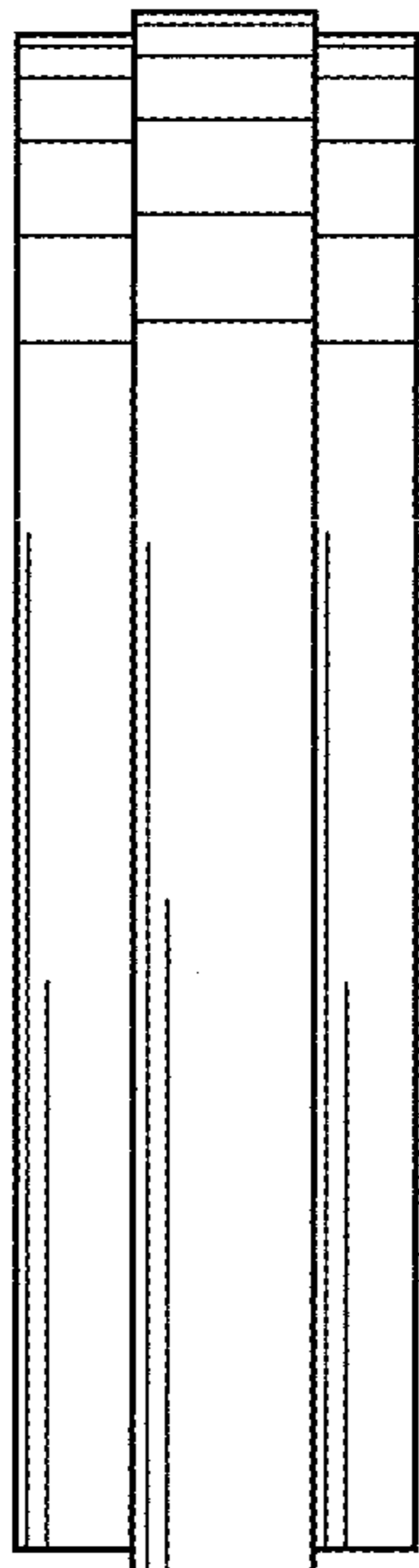


FIG. 4

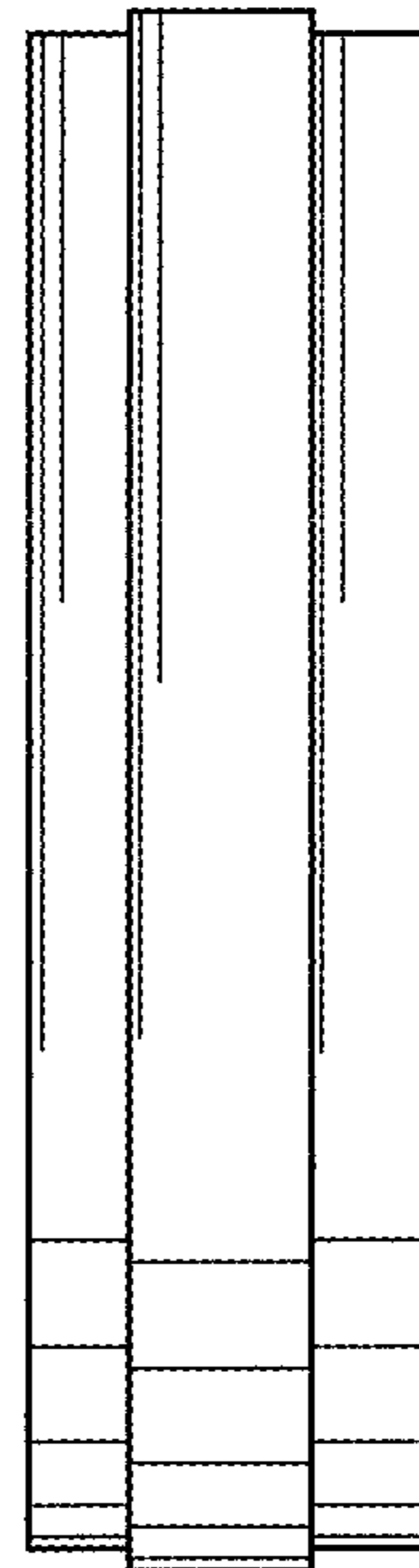


FIG. 5



FIG. 6

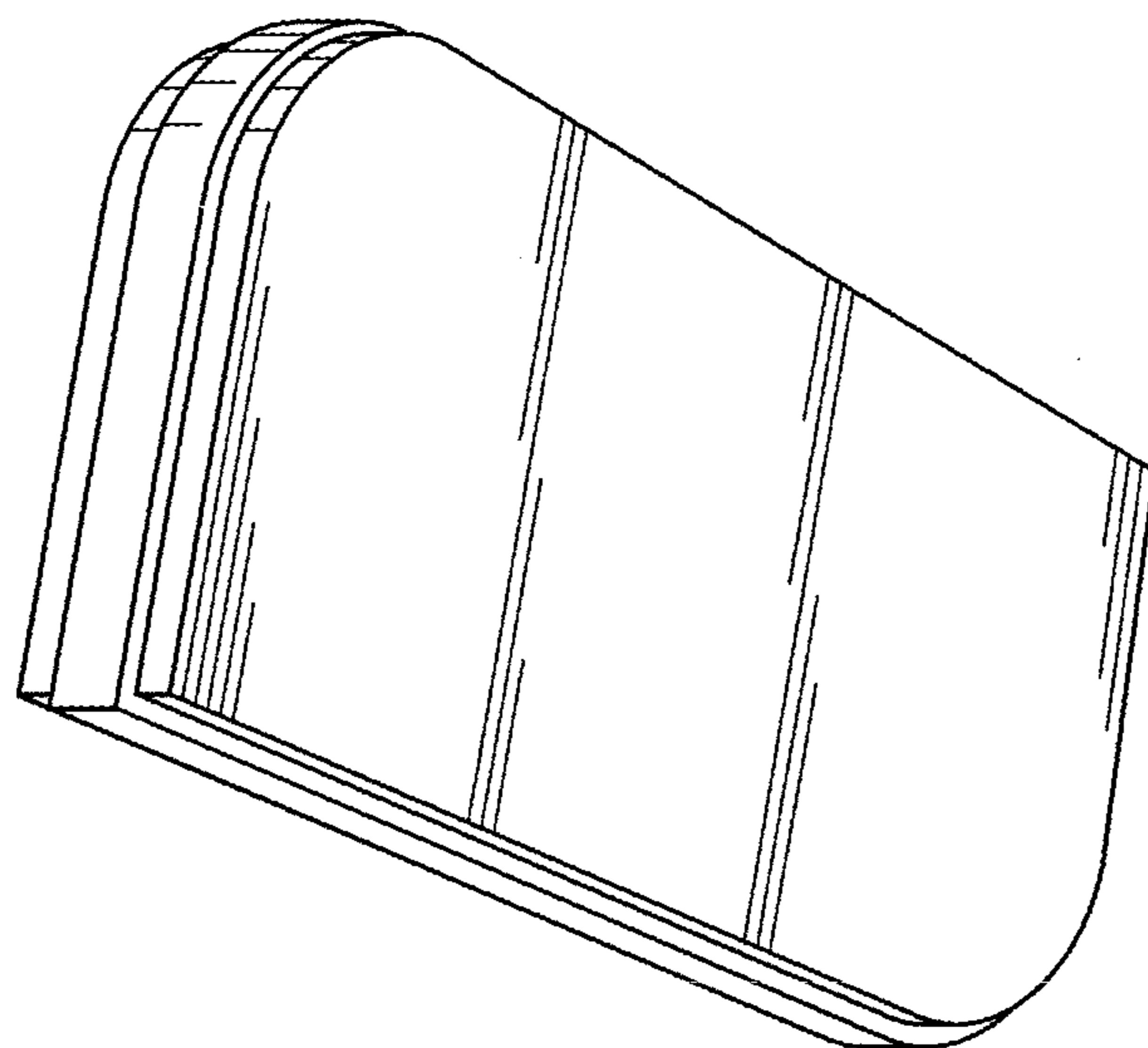


FIG. 7

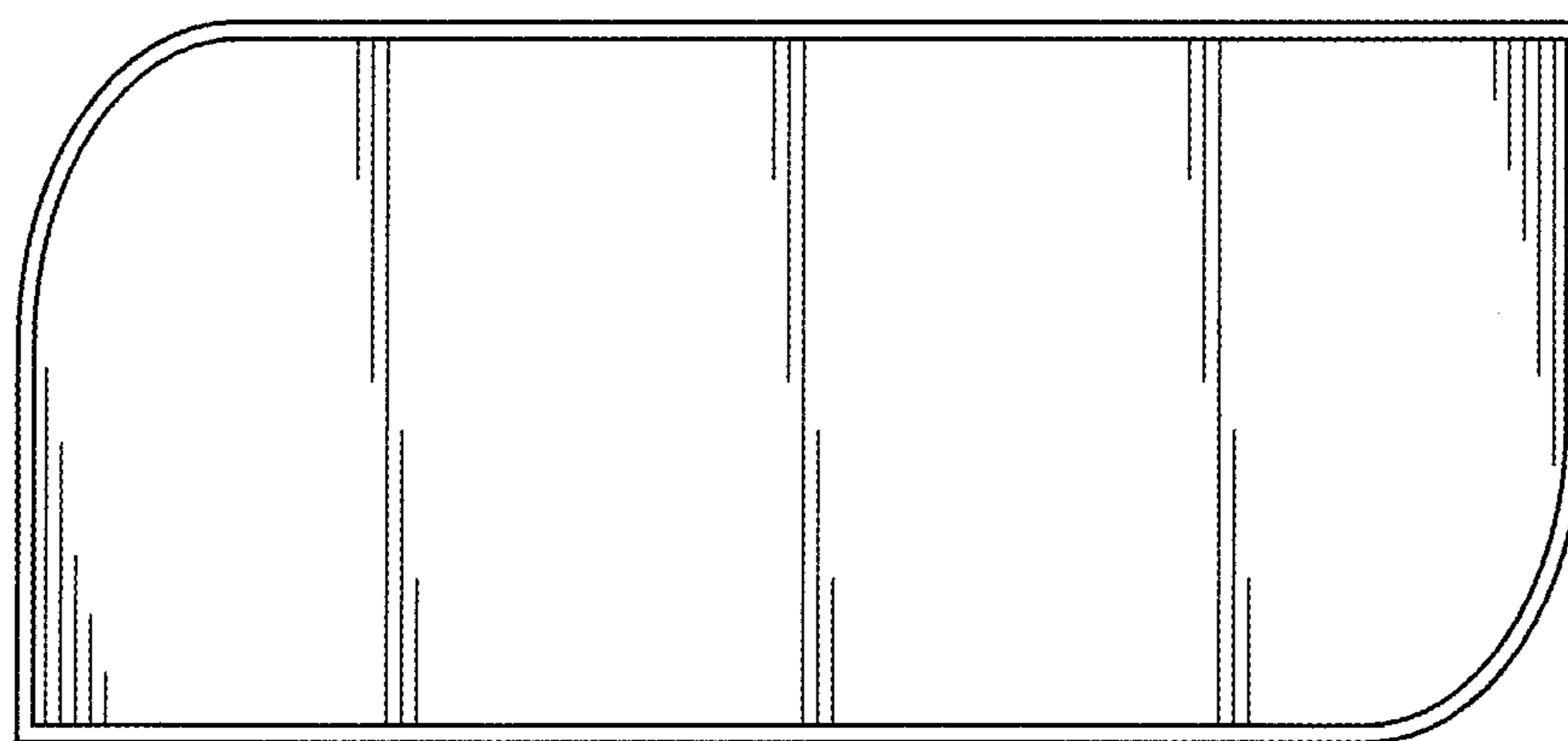


FIG. 8

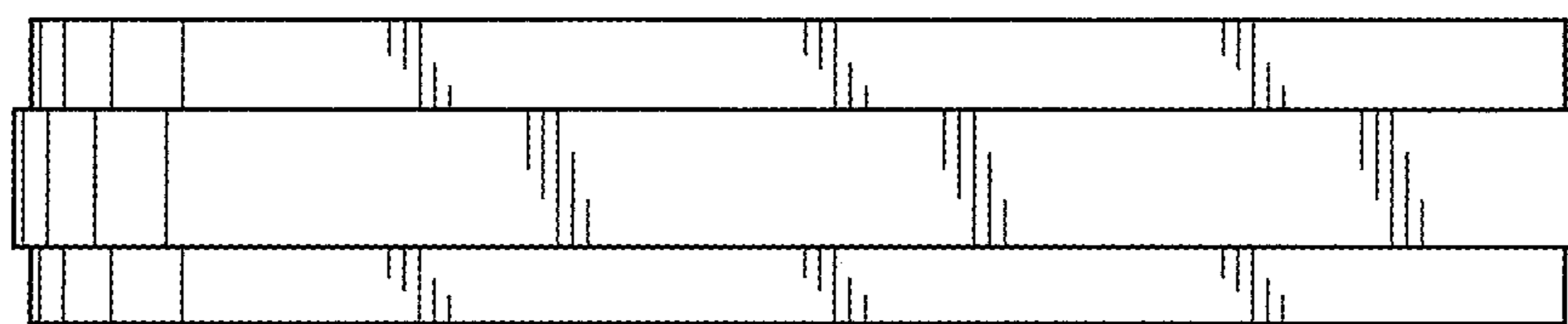


FIG. 9

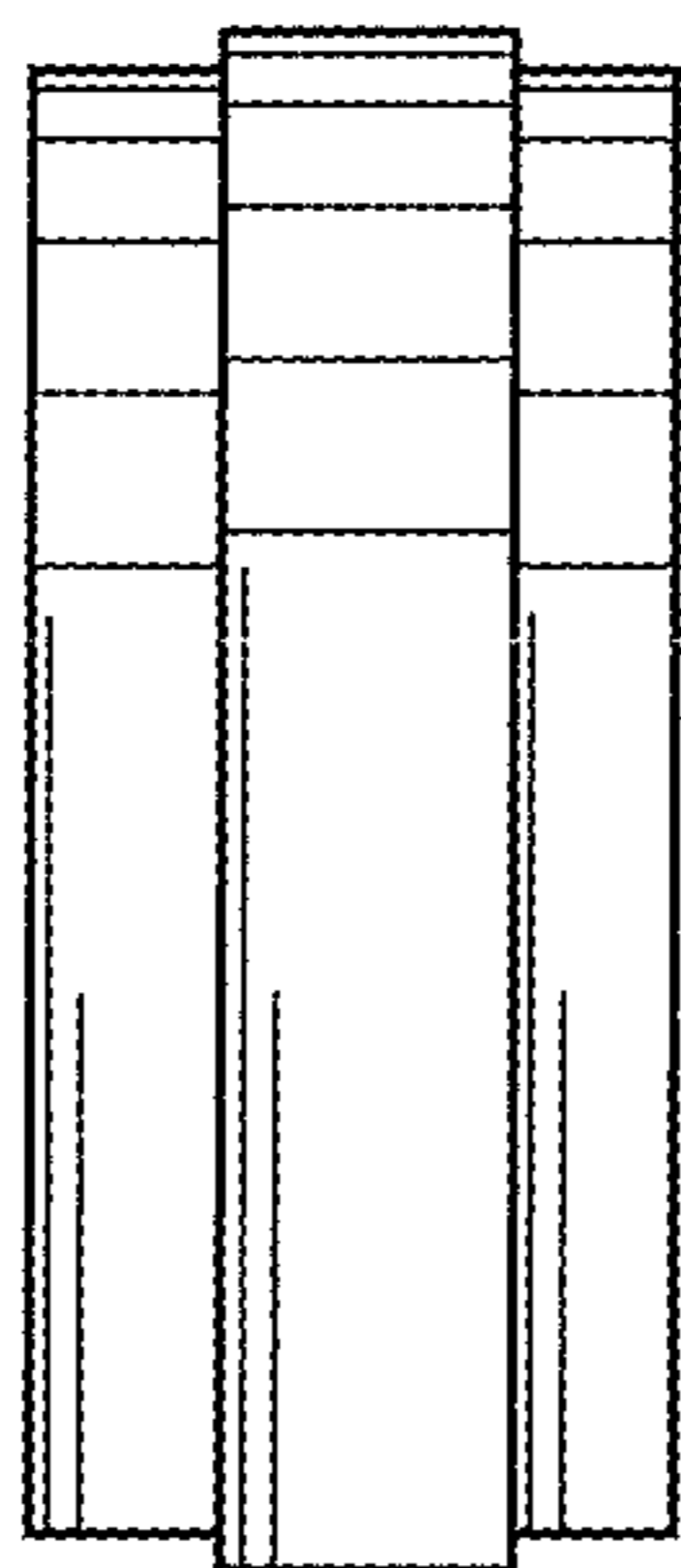


FIG. 10

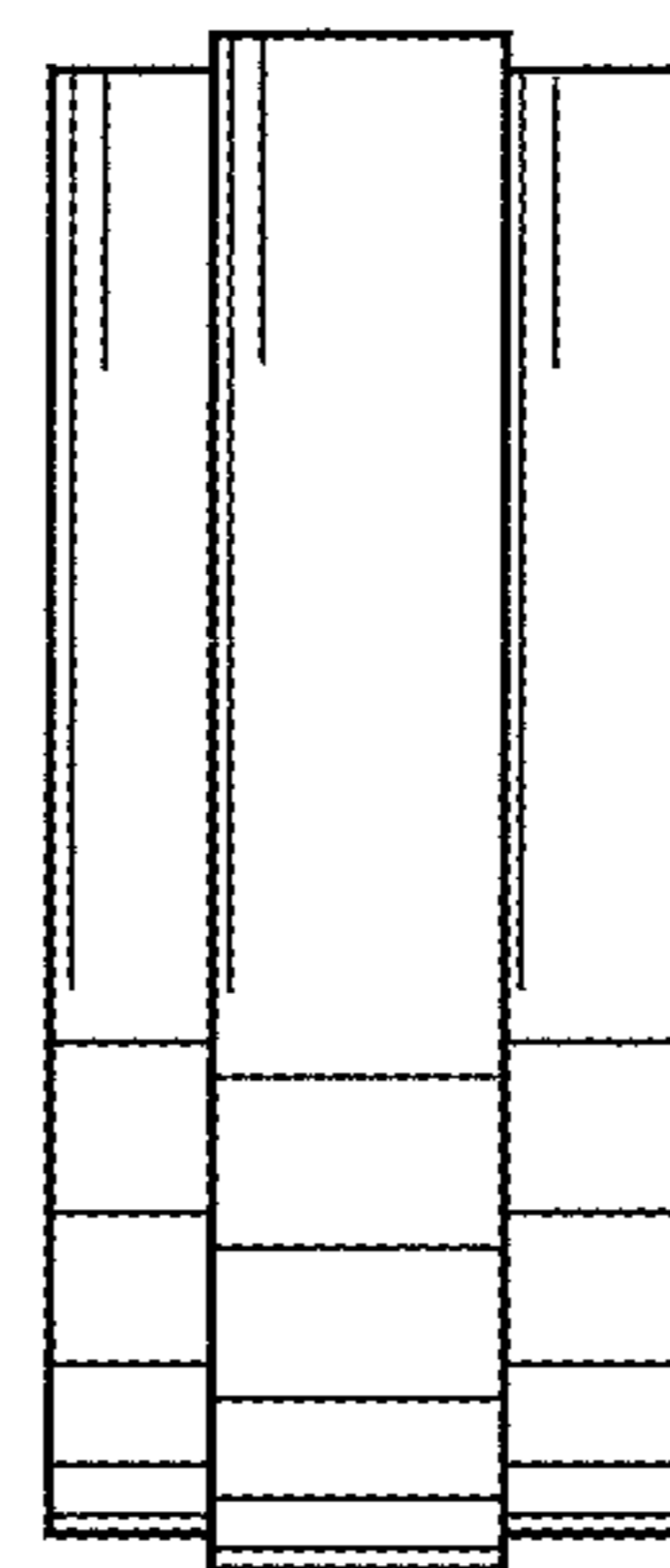


FIG. 11

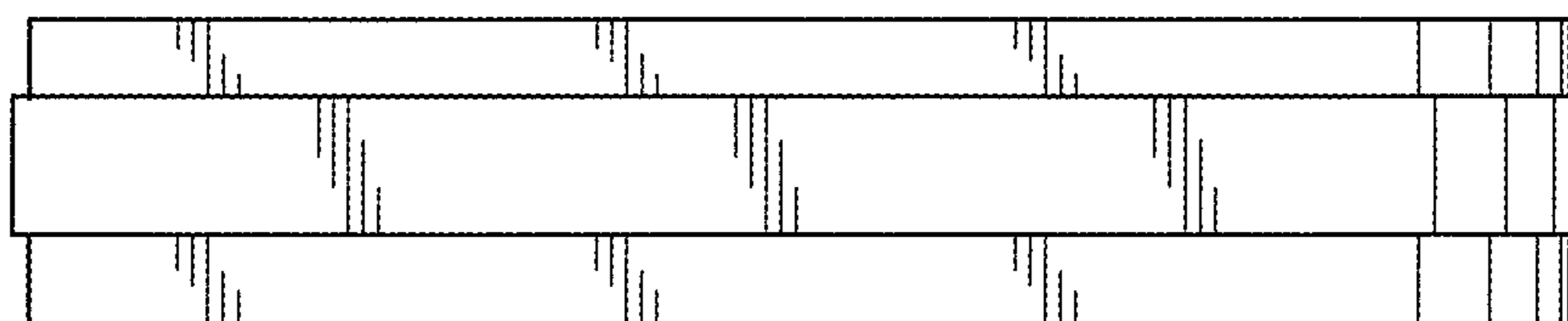


FIG. 12