



US00D747866S

(12) **United States Design Patent**
Armstrong

(10) **Patent No.:** **US D747,866 S**

(45) **Date of Patent:** **** Jan. 26, 2016**

(54) **SHOELACE CLASP**

(76) Inventor: **Joanne Armstrong**, West Barnstable,
MA (US)

(**) Term: **14 Years**

(21) Appl. No.: **29/427,653**

(22) Filed: **Jul. 20, 2012**

(51) **LOC (10) Cl.** **07-07**

(52) **U.S. Cl.**
USPC **D2/978**

(58) **Field of Classification Search**
USPC D2/642, 929, 934, 935, 943, 944, 946,
D2/961, 976, 978, 979; 24/712,
24/712.3-715.7; 36/1, 50.1, 52, 110, 136
See application file for complete search history.

(56) **References Cited**

U.S. PATENT DOCUMENTS

3,321,815	A *	5/1967	Herdman	24/712.3
4,780,936	A *	11/1988	Brecher	24/712.2
4,879,787	A *	11/1989	Walls	24/712.2
4,999,888	A *	3/1991	Miller	24/712.3
6,016,590	A *	1/2000	Malone	24/712.1
2004/0006856	A1 *	1/2004	Moreno	24/712.3

* cited by examiner

Primary Examiner — Derrick Holland

Assistant Examiner — Janice Lim

(74) *Attorney, Agent, or Firm* — Daniel N. Smith

(57) **CLAIM**

The ornamental design for a shoelace clasp, as shown and described.

DESCRIPTION

FIG. 1 is a top isometric view of a shoelace clasp, in the opened position, showing my new design;
 FIG. 2 is a top view of the shoelace clasp in the opened position;
 FIG. 3 is a bottom view of the shoelace clasp in the opened position;
 FIG. 4 is a side view of the shoelace clasp in the opened position;
 FIG. 5 is a front view of the shoelace clasp in the opened position, shown in an enlarged scale;
 FIG. 6 is a top isometric view of the shoelace clasp in the opened position, shown in use; and,
 FIG. 7 is a top isometric view of the shoelace clasp in the closed position, shown in use.
 The broken line portions of FIGS. 6 and 7 are included to show unclaimed subject matter only and form no part of the claimed design.

1 Claim, 6 Drawing Sheets

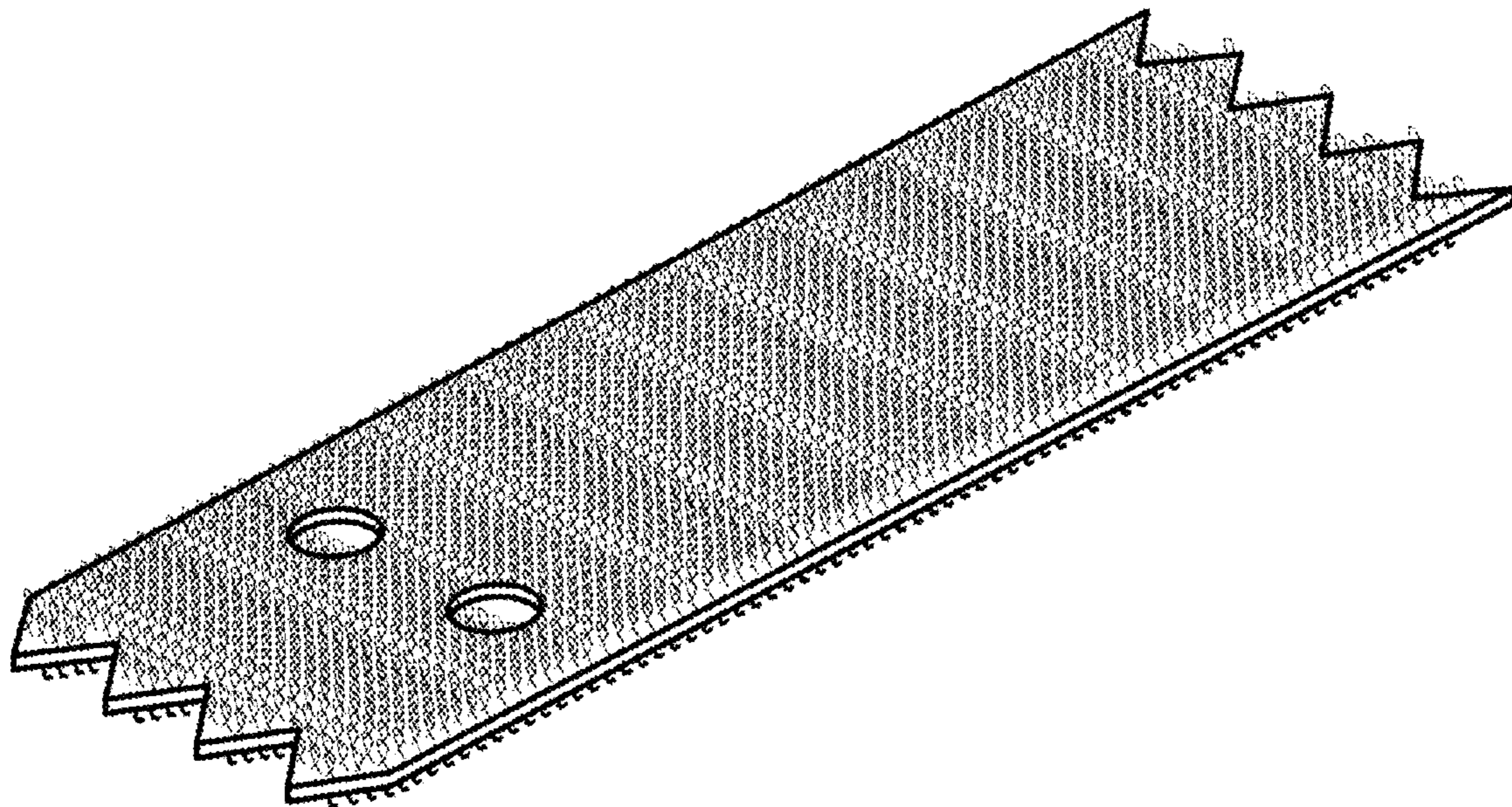


Fig. 1

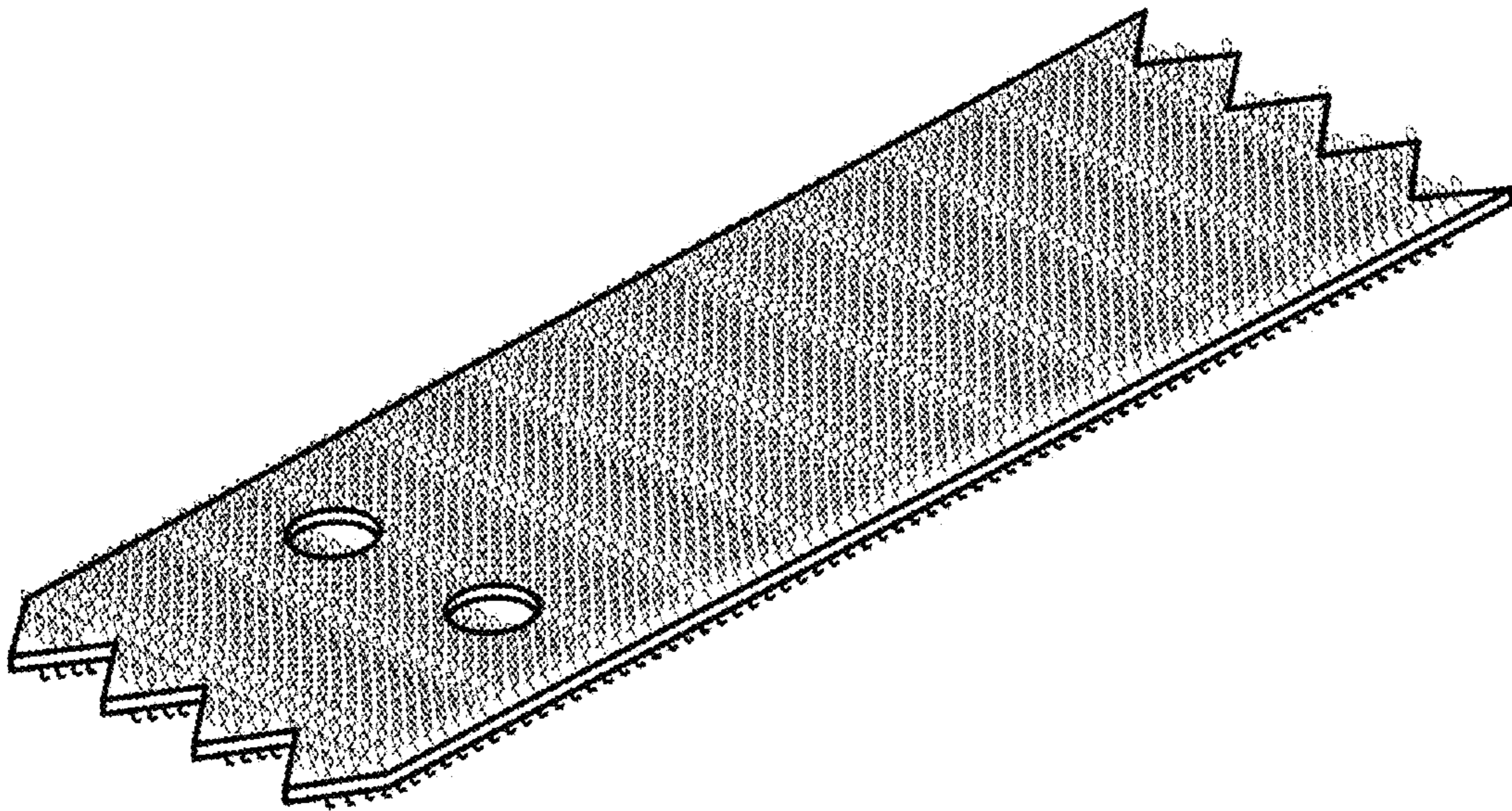


Fig. 2

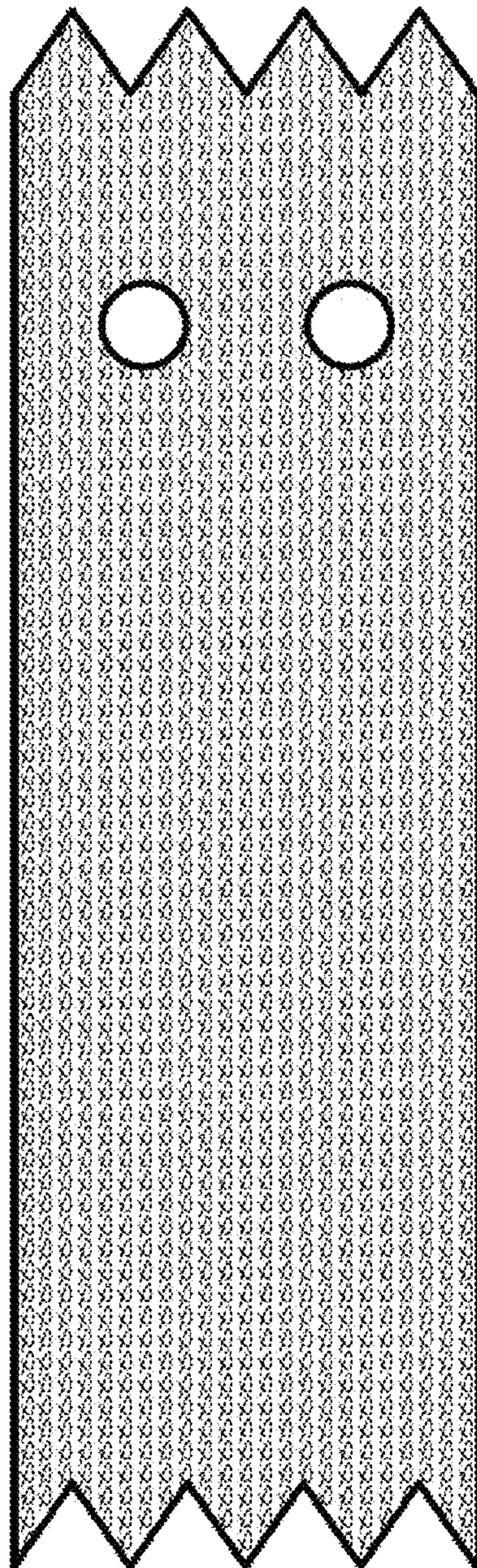


Fig. 3

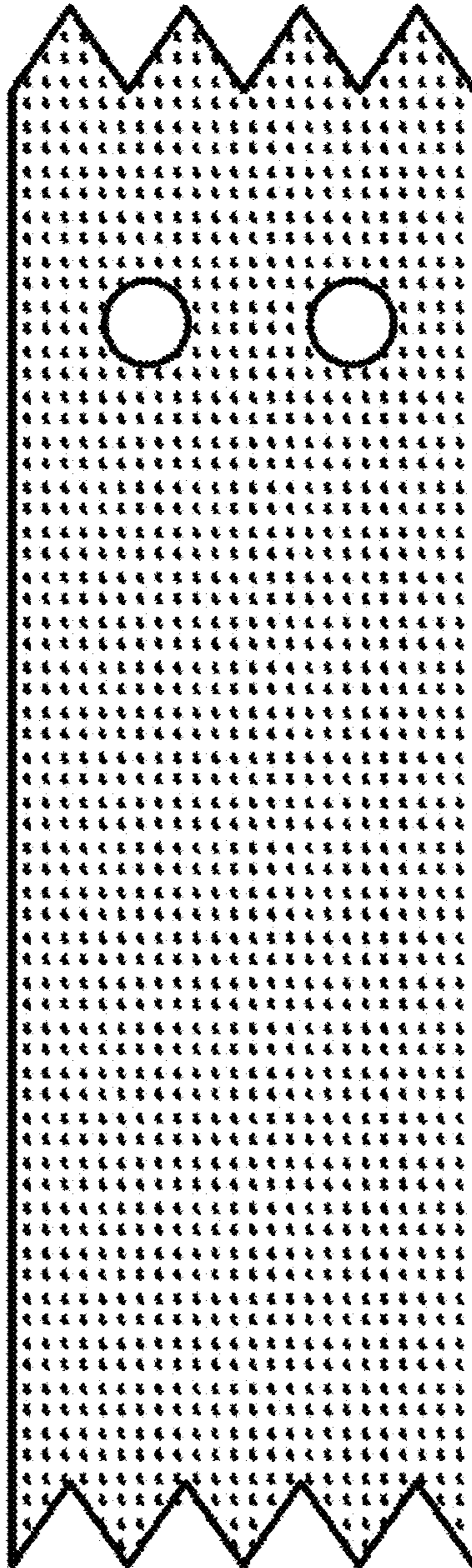


Fig. 4

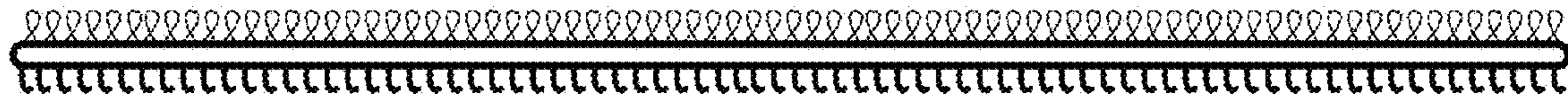
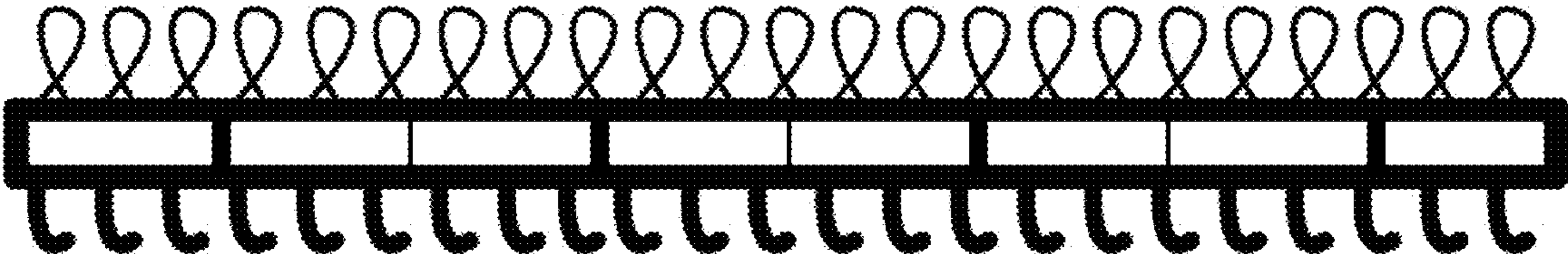


Fig. 5



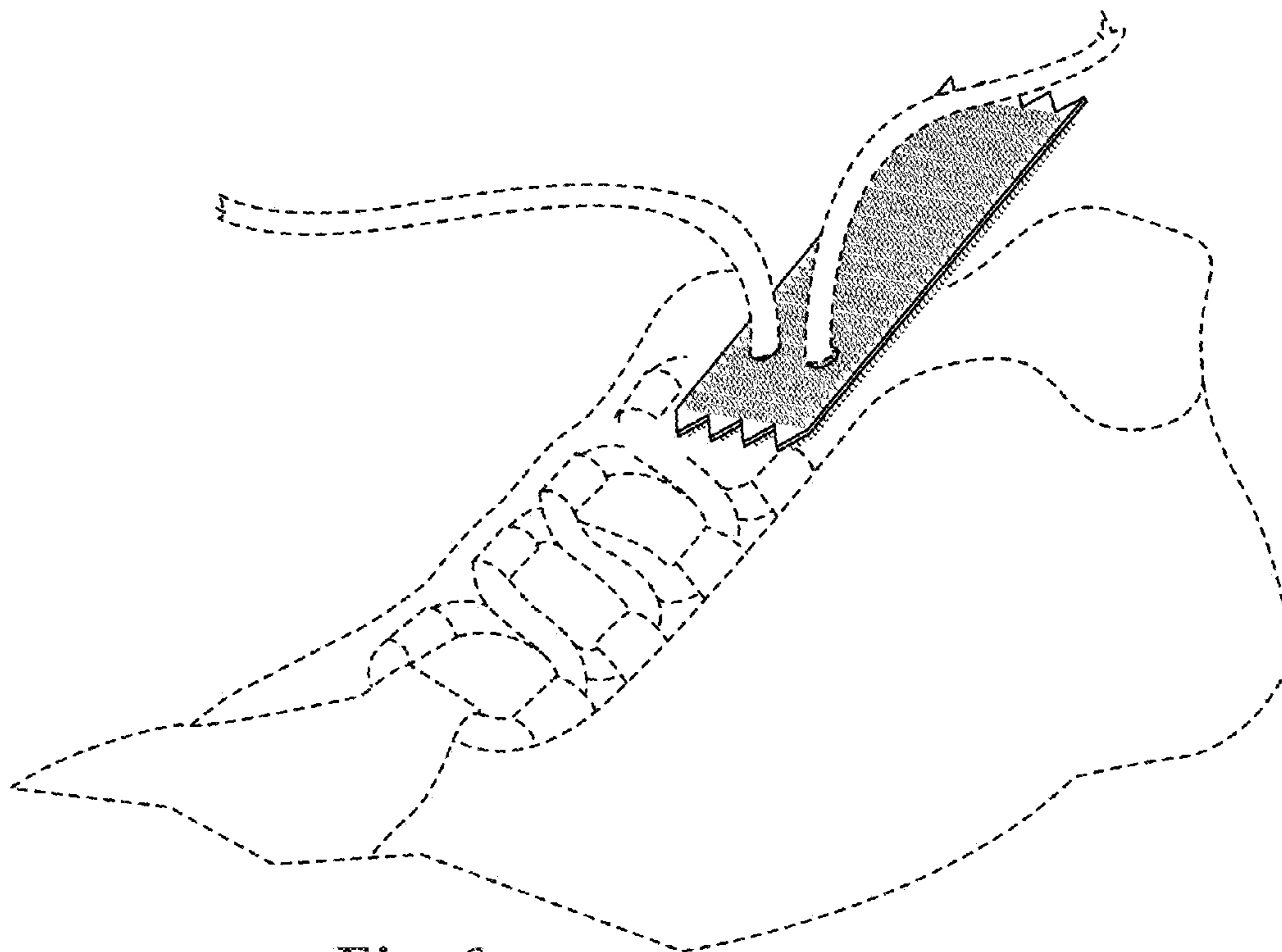


Fig. 6

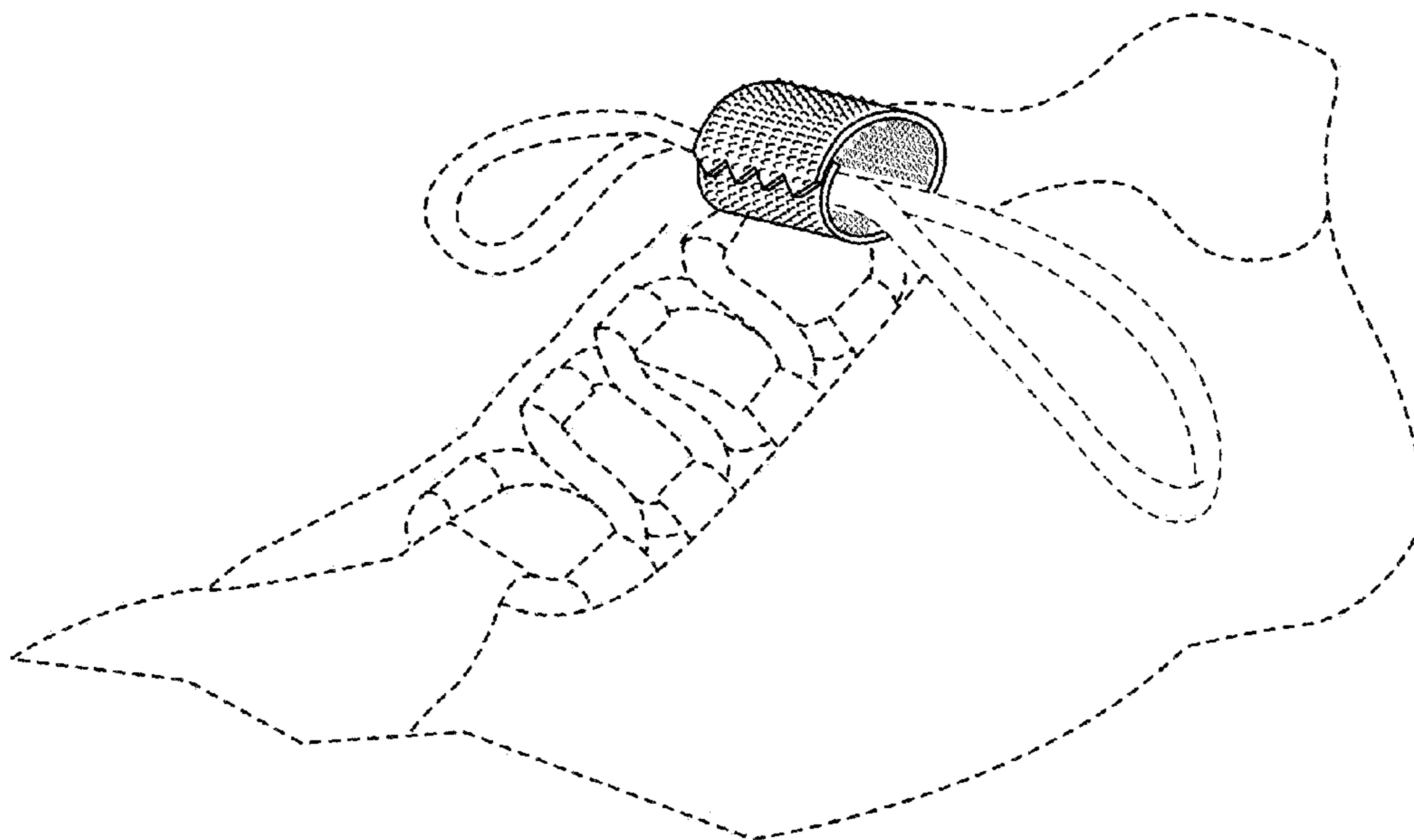


Fig. 7