



US00D747862S

(12) **United States Design Patent**
Blair et al.

(10) **Patent No.:** **US D747,862 S**
(45) **Date of Patent:** **** Jan. 26, 2016**

- (54) **SHOE HEEL**
- (71) Applicants: **Sharon Blair**, Ellenwood, GA (US);
Francis Menjor, Decatur, GA (US)
- (72) Inventors: **Sharon Blair**, Ellenwood, GA (US);
Francis Menjor, Decatur, GA (US)
- (**) Term: **14 Years**
- (21) Appl. No.: **29/476,421**
- (22) Filed: **Dec. 13, 2013**
- (51) **LOC (10) Cl.** **02-04**
- (52) **U.S. Cl.**
USPC **D2/965**
- (58) **Field of Classification Search**
USPC D2/915, 916, 925, 918, 922, 946,
D2/964-966, 976; 36/34 R, 72 B, 72 R, 73,
36/83, 136
CPC A43B 21/00; A43B 21/36; A43B 21/39;
A43B 21/52
See application file for complete search history.

- D205,882 S * 10/1966 Post D2/939
- 3,369,309 A 2/1968 Brooks
- 4,041,618 A 8/1977 Famolare, Jr.
- D347,937 S * 6/1994 Garland D2/965
- D499,240 S * 12/2004 Kuo D2/965
- D578,286 S * 10/2008 Hogan D2/964
- 7,574,819 B2 8/2009 Rie
- D606,730 S * 12/2009 Whittington D2/910

* cited by examiner

Primary Examiner — Derrick Holland
Assistant Examiner — Janice Lim

(57) **CLAIM**

The ornamental design for a shoe heel, as shown and described.

DESCRIPTION

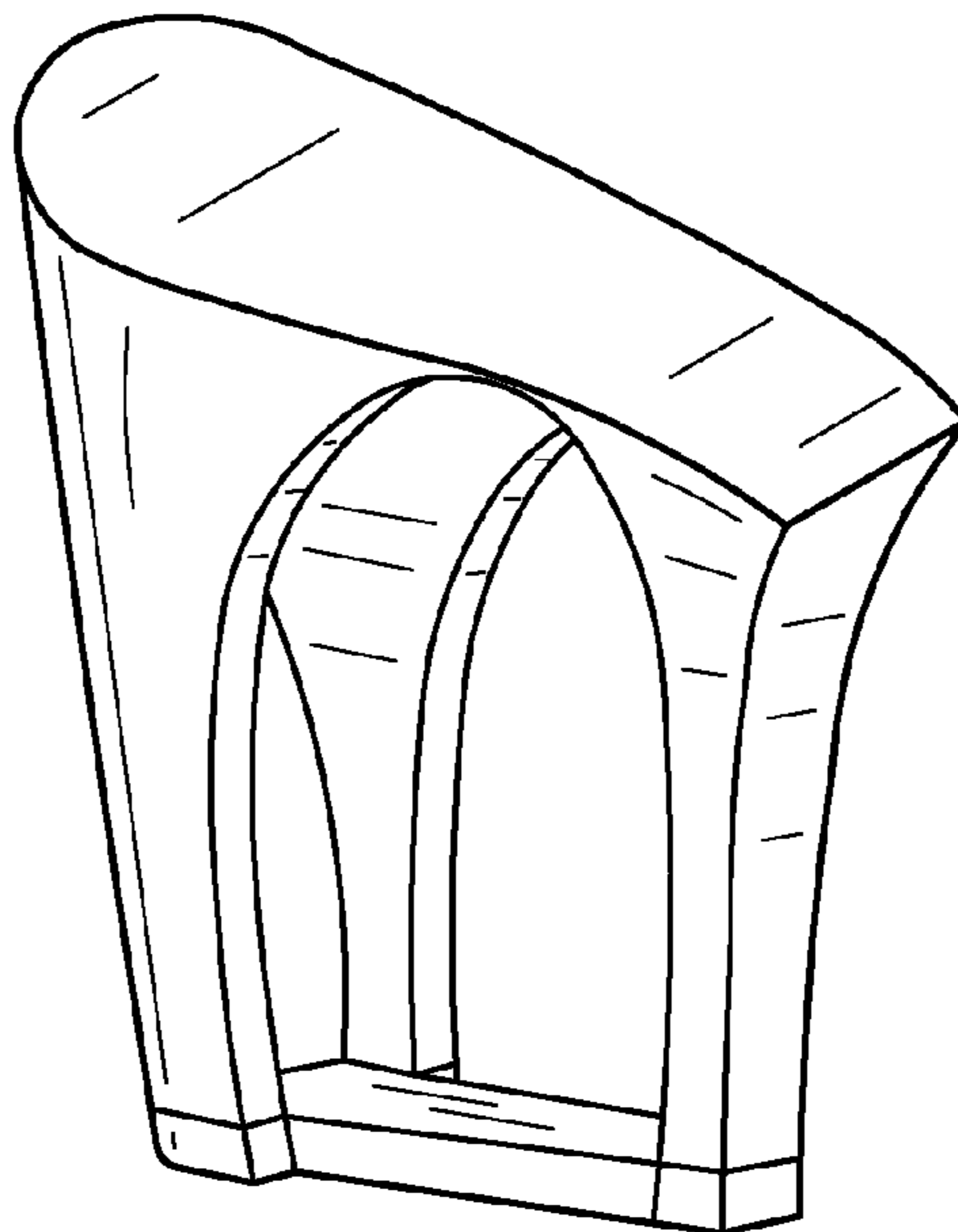
FIG. 1 is a left side view of a shoe heel, and a right side view being a mirror image thereof, shown in environmental use, showing our new design;
 FIG. 2 is a rear view thereof, shown in environmental use;
 FIG. 3 is a bottom view thereof, shown in environmental use;
 FIG. 4 is a front perspective view thereof, shown in environmental use;
 FIG. 5 is a bottom, left side, rear perspective view thereof, and a bottom, right side, rear perspective view being a mirror image thereof; and,
 FIG. 6 is a front perspective view thereof.
 The broken line portions of FIGS. 1 through 4 are included to show unclaimed environmental subject matter only and form no part of the claimed design.

(56) **References Cited**

U.S. PATENT DOCUMENTS

- D121,193 S * 6/1940 Nutt D2/965
- D123,241 S * 10/1940 Johnson D2/965
- 2,284,326 A 5/1942 Korda
- D136,960 S 1/1944 Shuford
- 2,414,445 A 1/1947 Cahil
- 2,465,817 A 3/1949 Perguria
- D201,002 S * 5/1965 Hahn D2/966

1 Claim, 5 Drawing Sheets



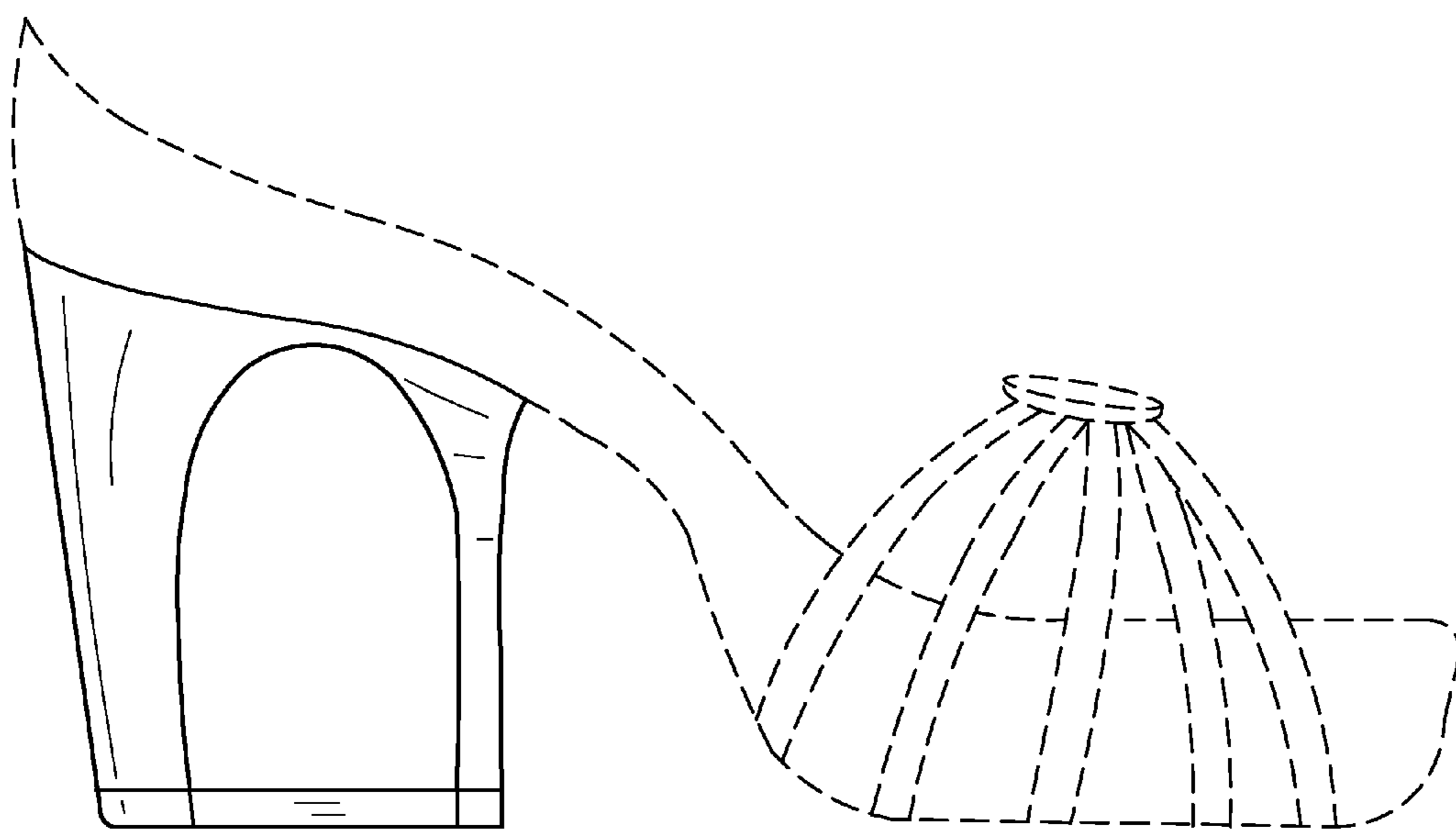


FIG. 1

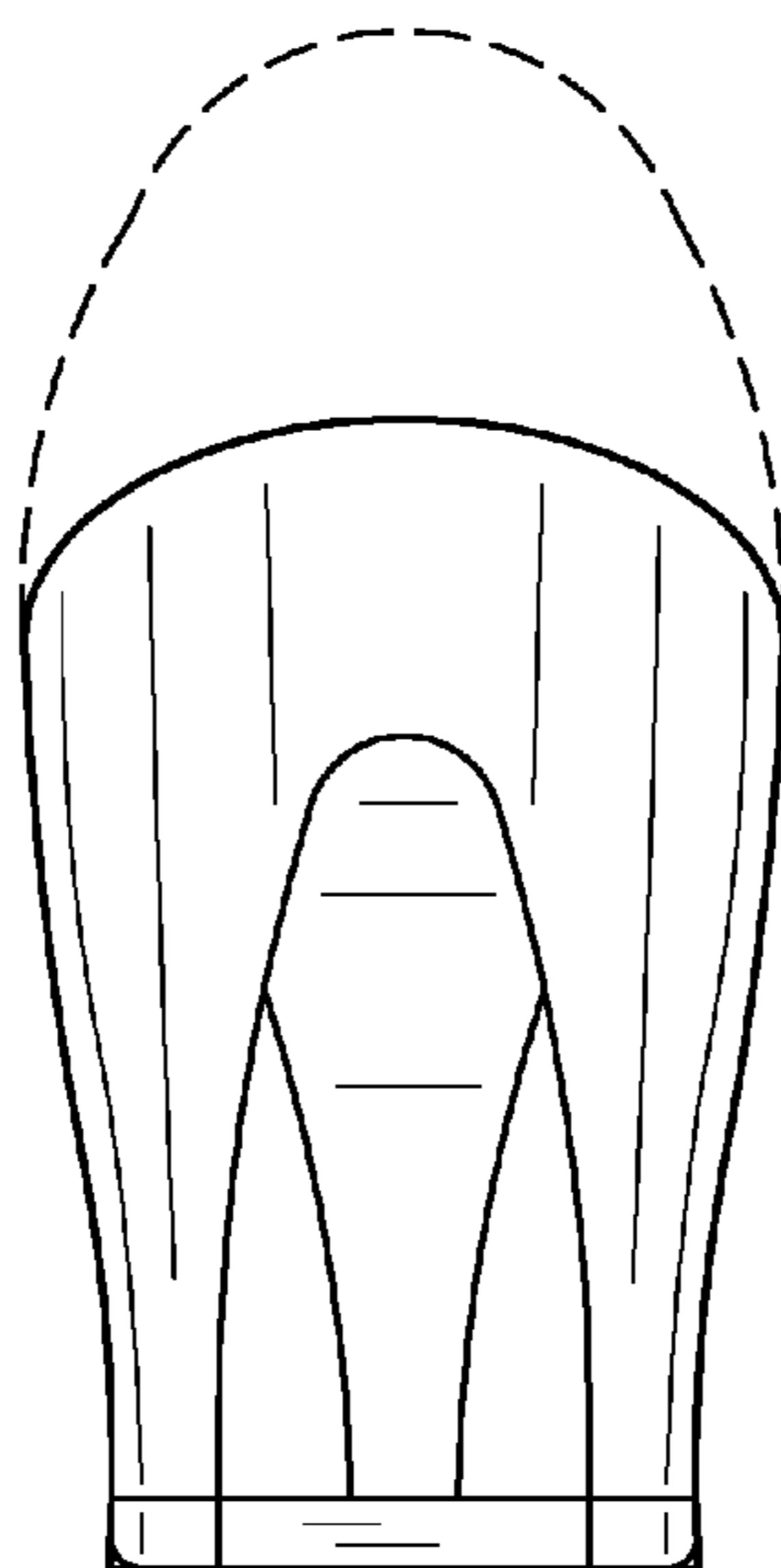


FIG. 2

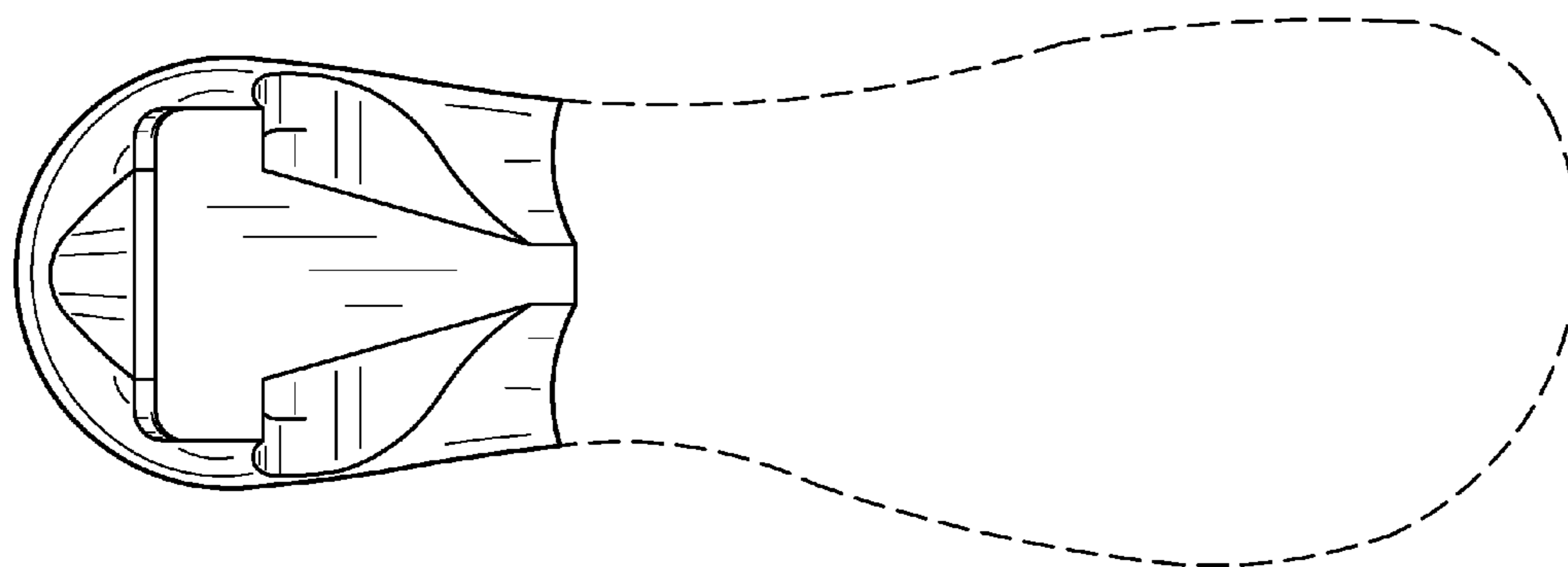


FIG. 3

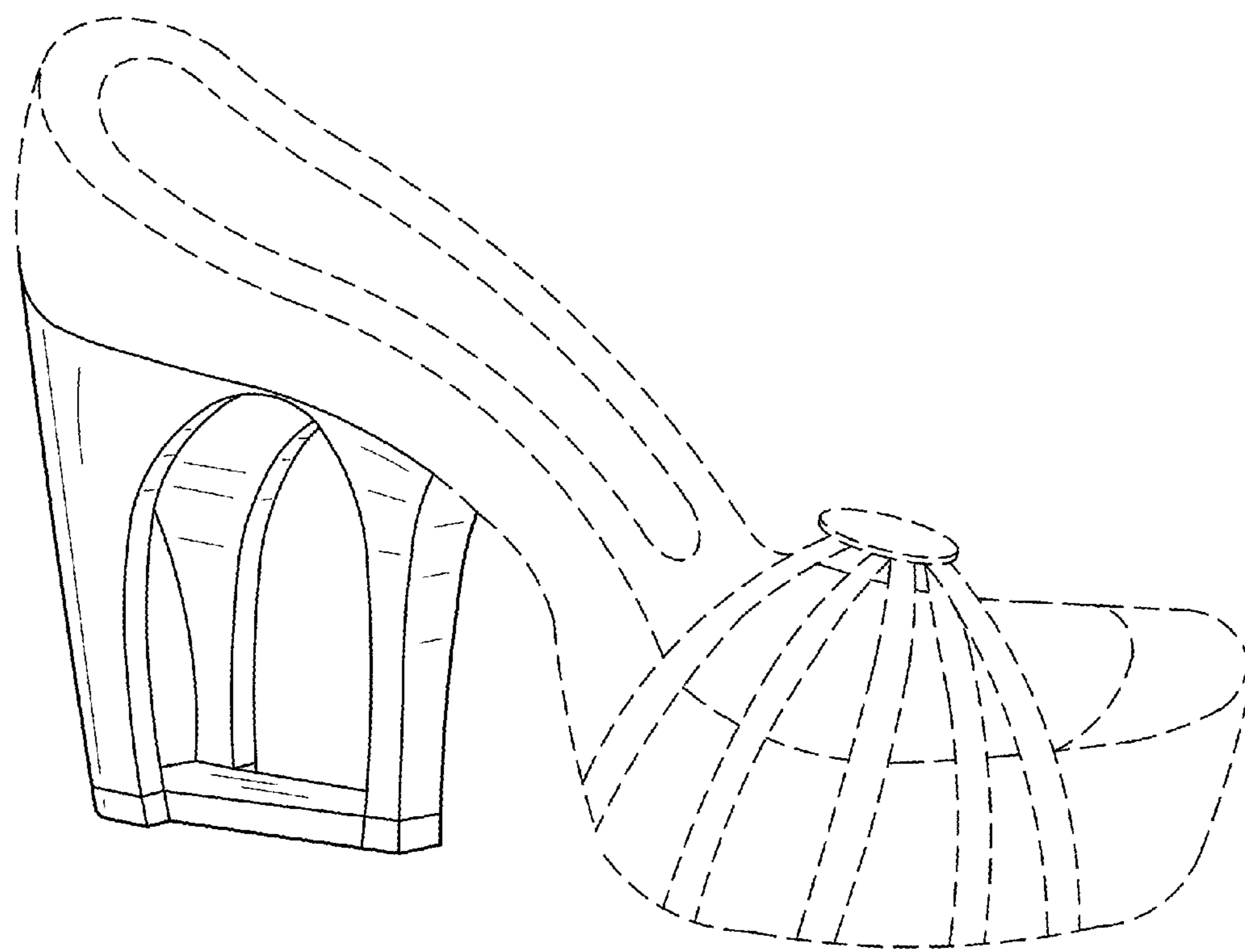


FIG. 4

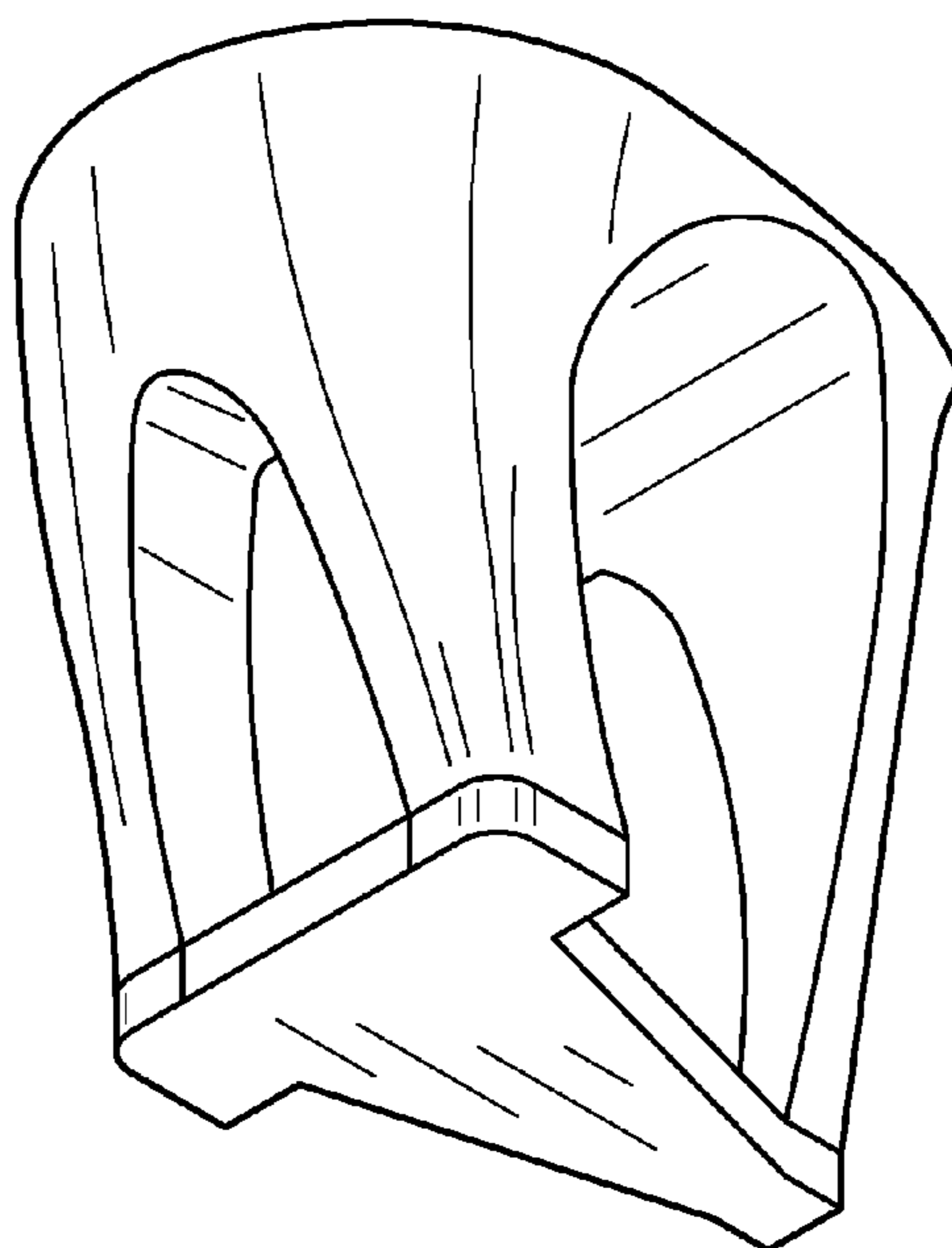


FIG. 5

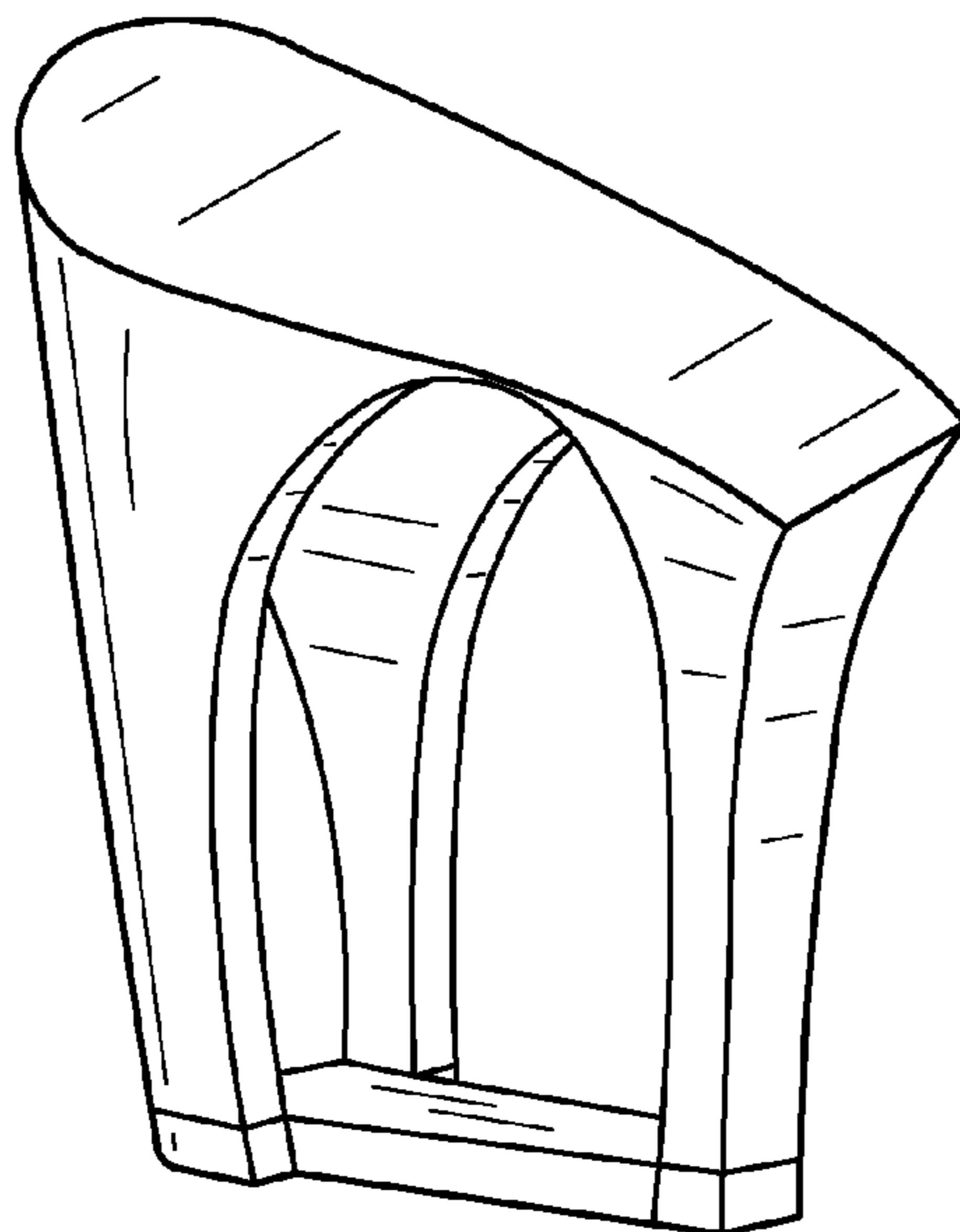


FIG. 6