



US00D747858S

(12) **United States Design Patent**
Andrade

(10) **Patent No.:** **US D747,858 S**

(45) **Date of Patent:** **** Jan. 26, 2016**

(54) **PAIR OF SANDALS WITH INTERCHANGEABLE COMPONENTS**

(71) Applicant: **Lorena Andrade**, Riverside, CA (US)

(72) Inventor: **Lorena Andrade**, Riverside, CA (US)

(**) Term: **14 Years**

(21) Appl. No.: **29/462,816**

(22) Filed: **Aug. 8, 2013**

(51) **LOC (10) Cl.** **02-04**

(52) **U.S. Cl.**
USPC **D2/917**; D2/976

(58) **Field of Classification Search**
USPC D02/896–900, 903, 916–925, 943, 946,
D02/969, 971, 976; 36/7.3, 7.5, 11.5, 45,
36/88–92, 94, 100, 101
See application file for complete search history.

(56) **References Cited**

U.S. PATENT DOCUMENTS

3,015,896	A	1/1960	Breslow	
3,011,281	A *	12/1961	King	36/11.5
4,172,330	A *	10/1979	Kao	36/11.5
5,992,058	A *	11/1999	Jneid	36/100
6,769,204	B1 *	8/2004	Phillips	36/136
D516,280	S *	3/2006	Jarmon Mouchi et al.	D2/946
D519,723	S *	5/2006	Jarmon Mouchi et al.	D2/946
D521,213	S *	5/2006	Jarmon Mouchi et al.	D2/946
D523,214	S *	6/2006	Jarmon Mouchi et al.	D2/946
D550,446	S *	9/2007	Levesy	D2/976
7,331,122	B2	2/2008	Januszewski	
D568,591	S	5/2008	Bortz et al.	
7,481,008	B2 *	1/2009	Lusk	36/100
7,584,553	B1	9/2009	Medley	

7,698,834	B1 *	4/2010	Courville	36/15
7,823,299	B1	11/2010	Brigham	
D634,105	S *	3/2011	Cheshire et al.	D2/925
D648,118	S *	11/2011	Safdeye	D2/978
D663,106	S	7/2012	Schoenmaker	
D665,159	S *	8/2012	Sexton	D2/976
8,322,054	B2 *	12/2012	Feller et al.	36/101
D677,038	S	3/2013	Guckin	
D683,935	S *	6/2013	Day	D2/917
2012/0284903	A1 *	11/2012	Andrews et al.	2/245

* cited by examiner

Primary Examiner — Ian Simmons

Assistant Examiner — Rashida C McCoy

(74) *Attorney, Agent, or Firm* — Kirk A. Buhler; Buhler & Associates

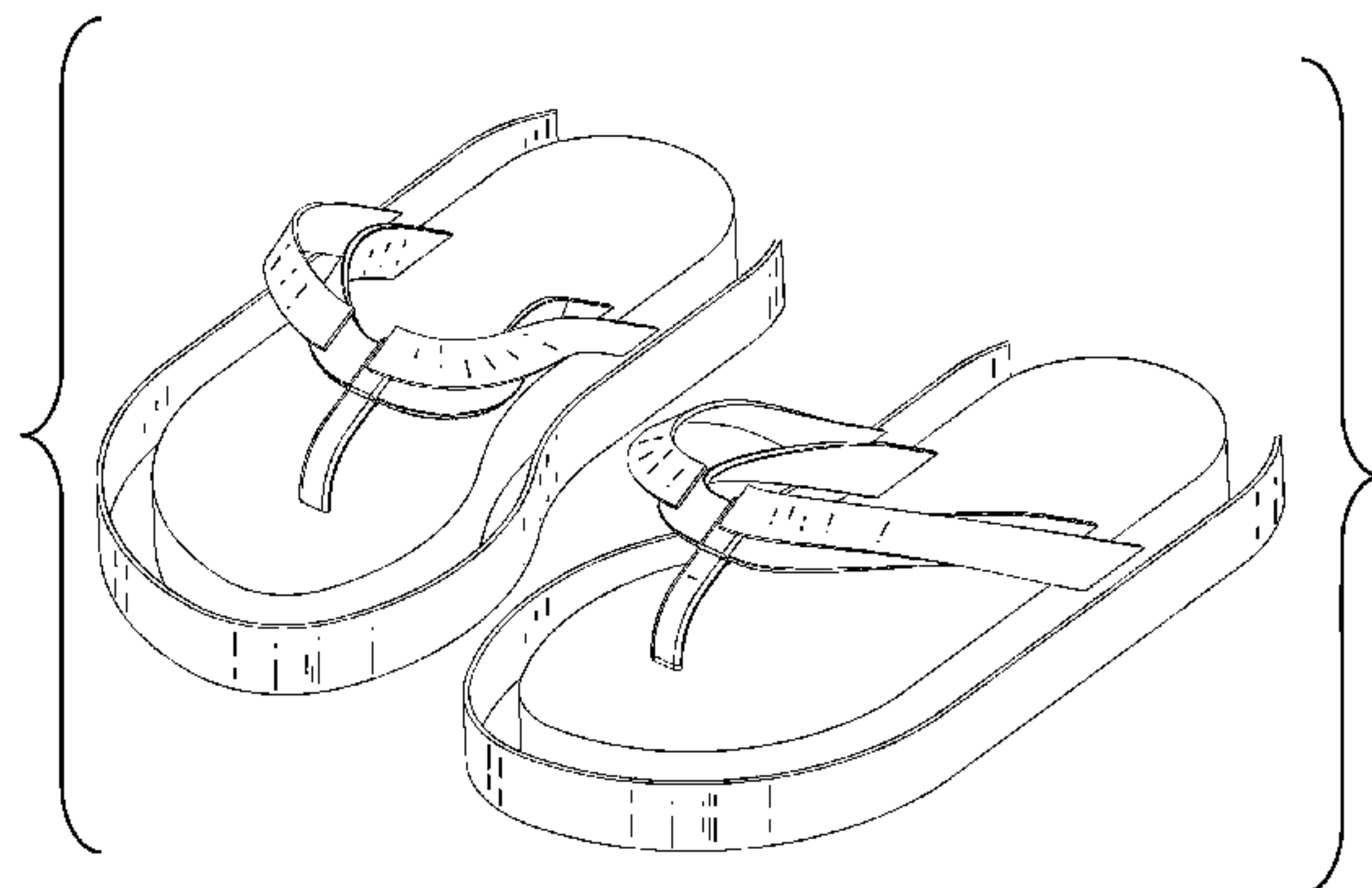
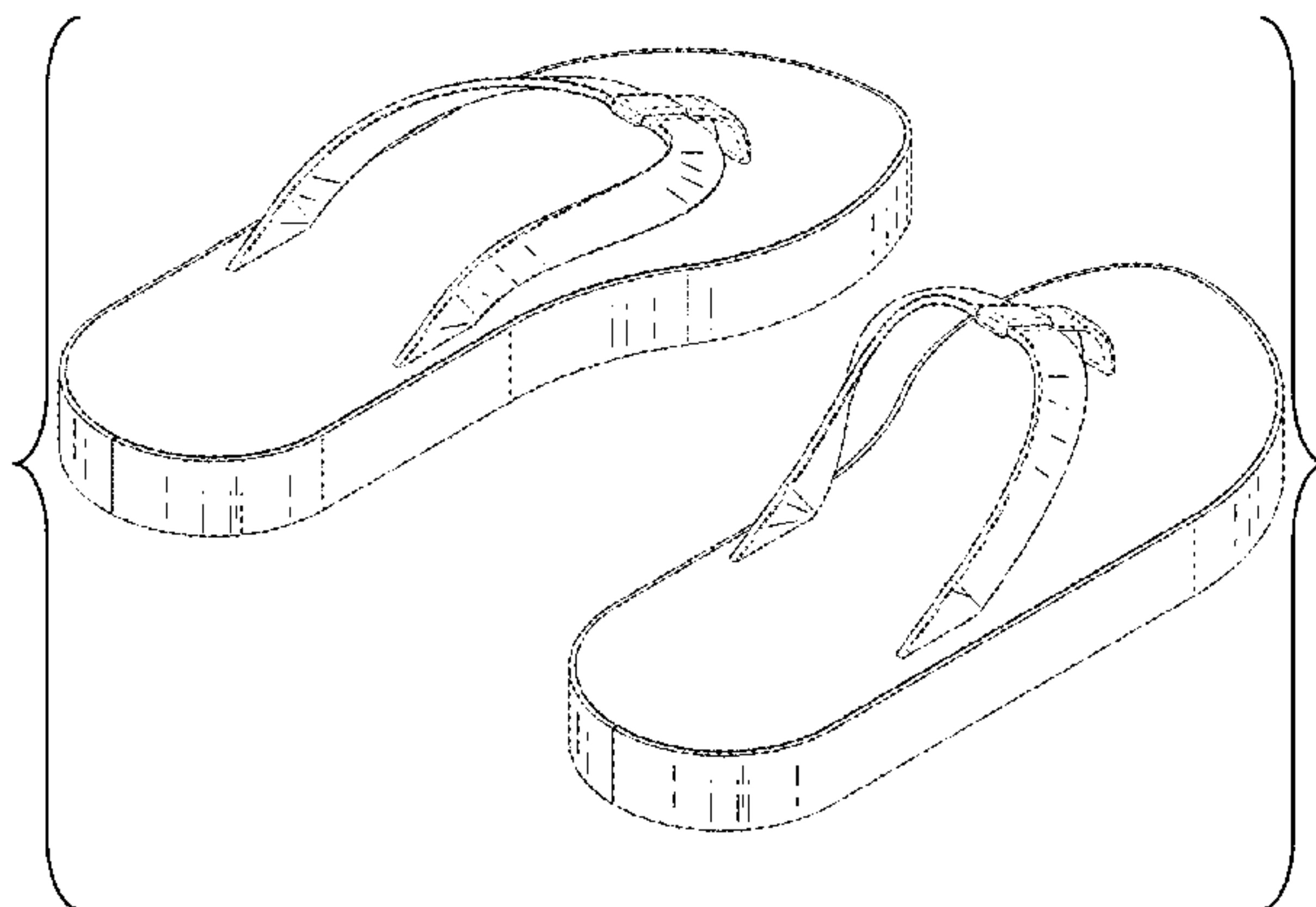
(57) **CLAIM**

The ornamental design for a pair of sandals with interchangeable components, as shown and described.

DESCRIPTION

FIG. 1 is a top rear perspective view for a pair of sandals with interchangeable components showing my new design; FIG. 2 is a front side view thereof; FIG. 3 is a back side view thereof; FIG. 4 is a top side view thereof; FIG. 5 is a bottom side view thereof; FIG. 6 is a left side view, the right side view being a mirror image thereof; FIG. 7 a top front perspective view thereof; and, FIG. 8 is a top front perspective view shown with the interchangeable components moved away from the sandal thereof.

1 Claim, 7 Drawing Sheets



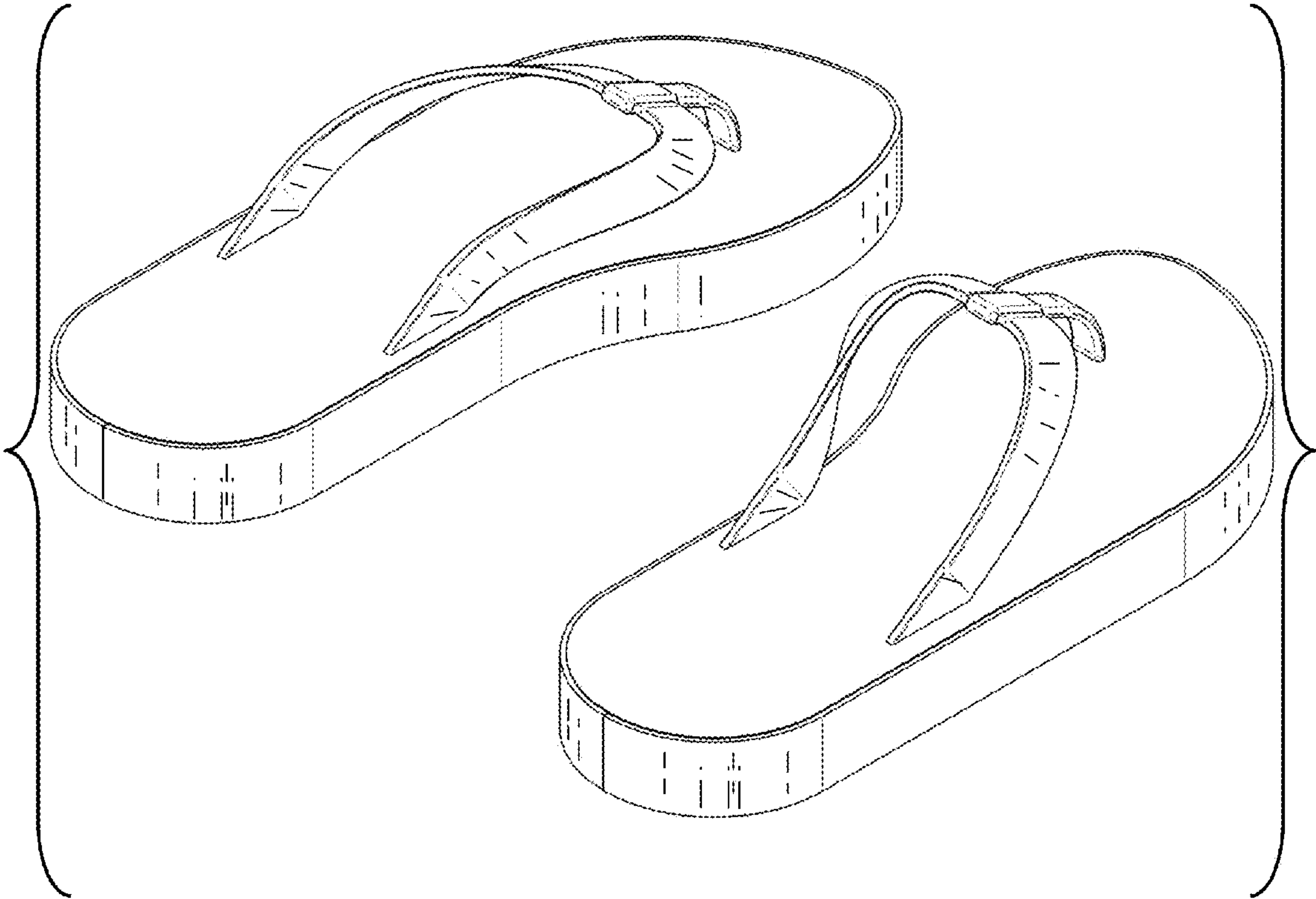


FIG. 1

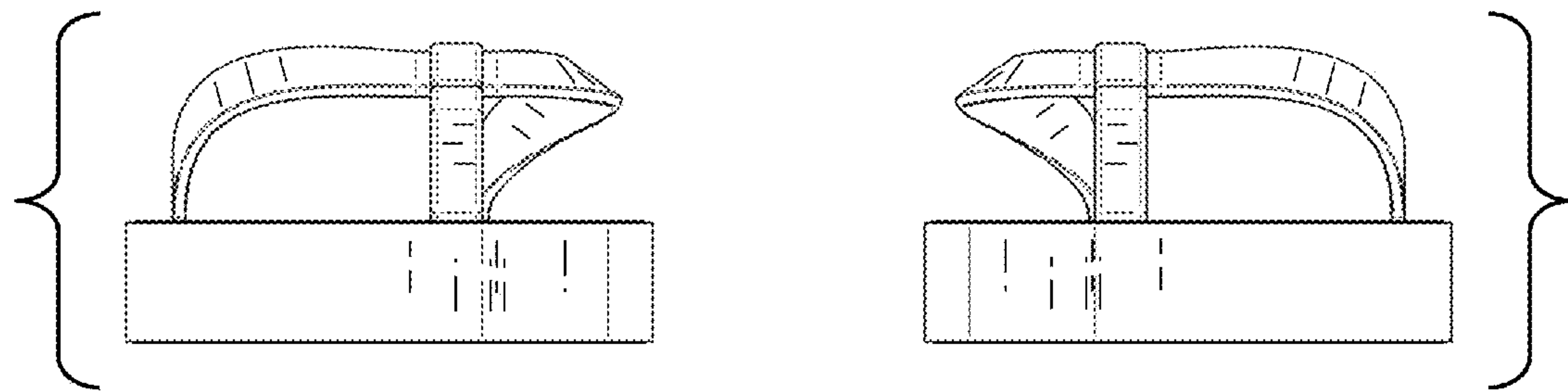


FIG 2

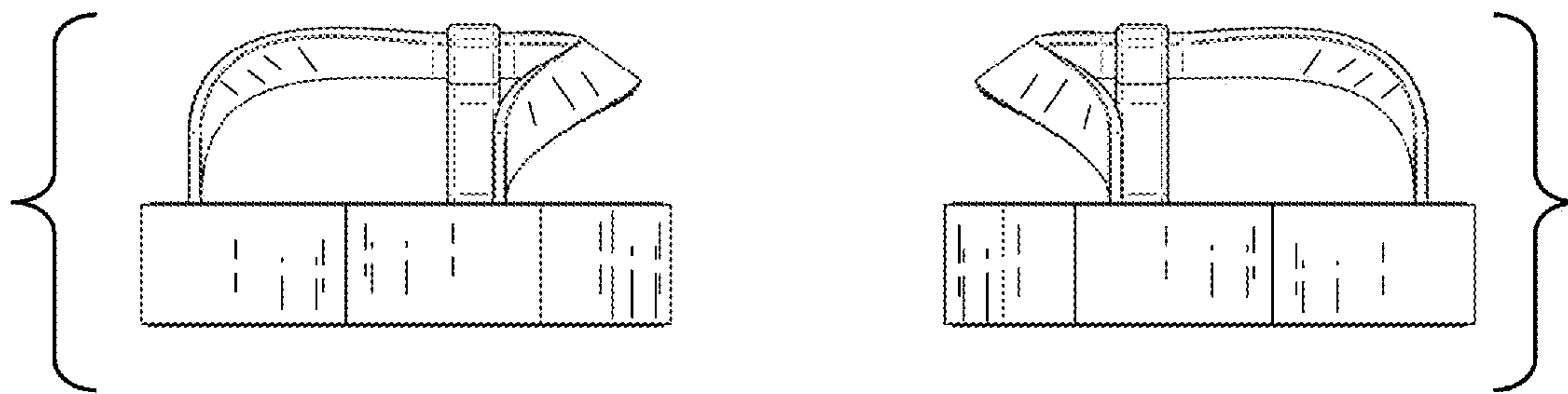


FIG 3

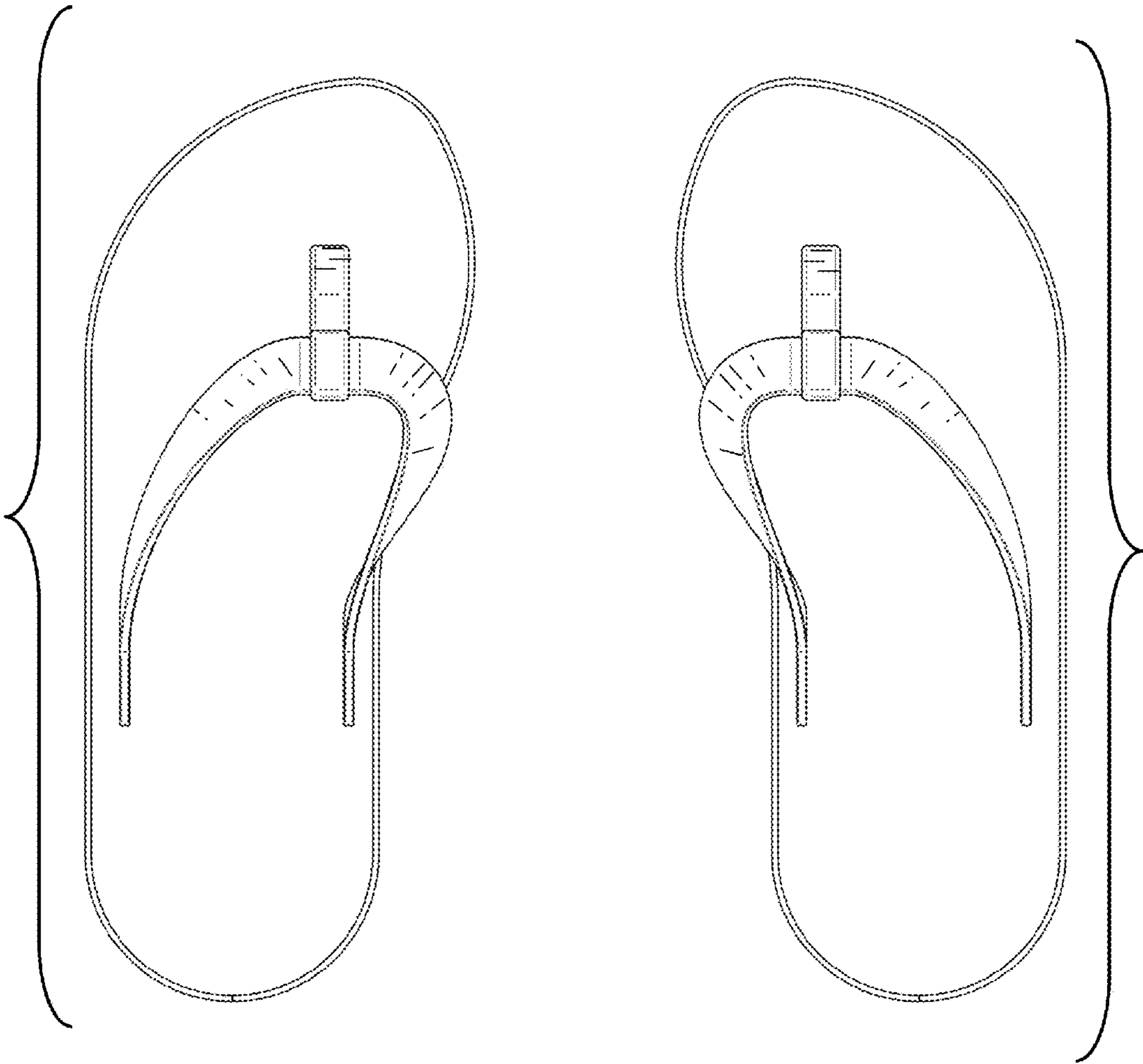


FIG 4

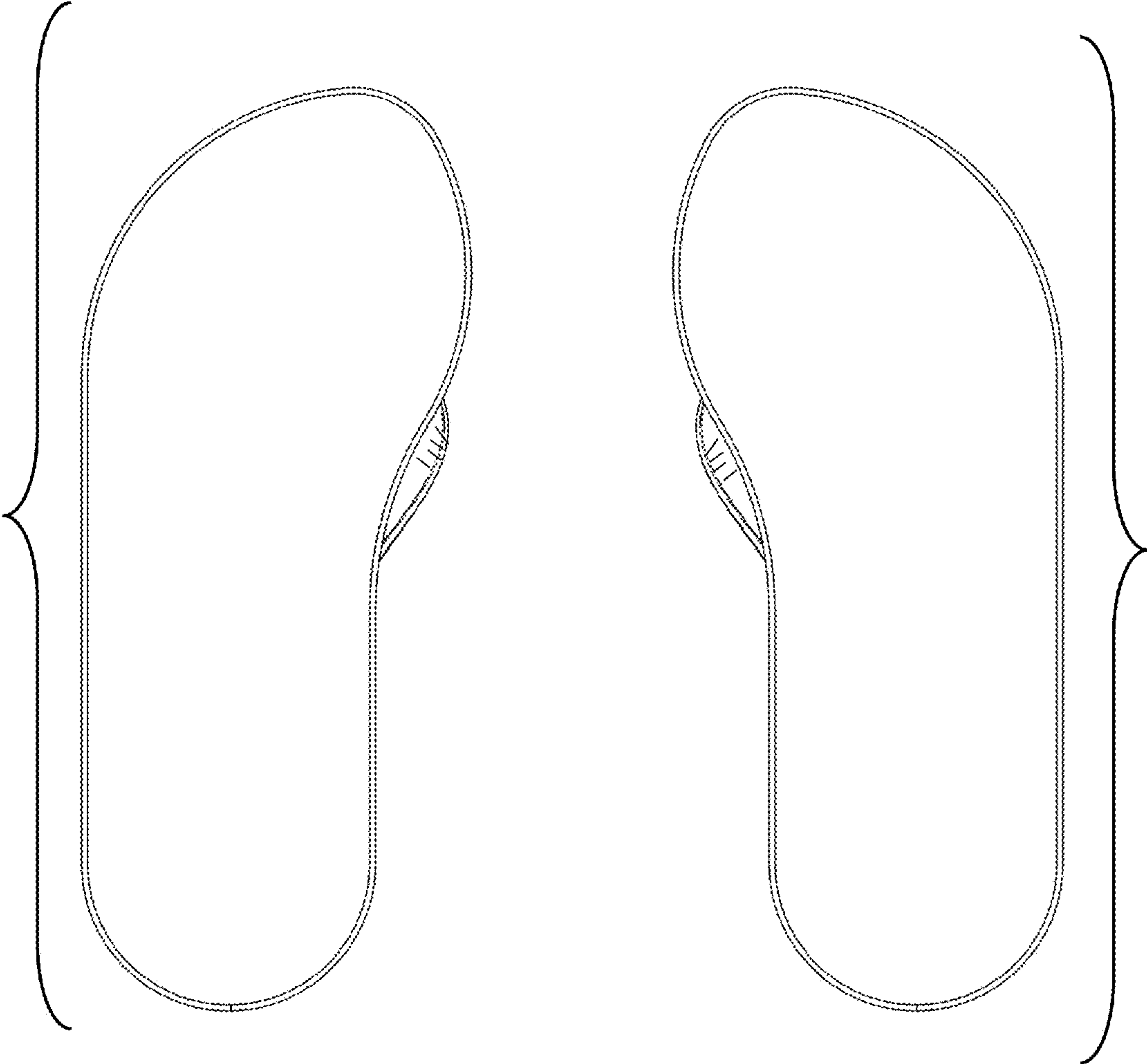


FIG 5

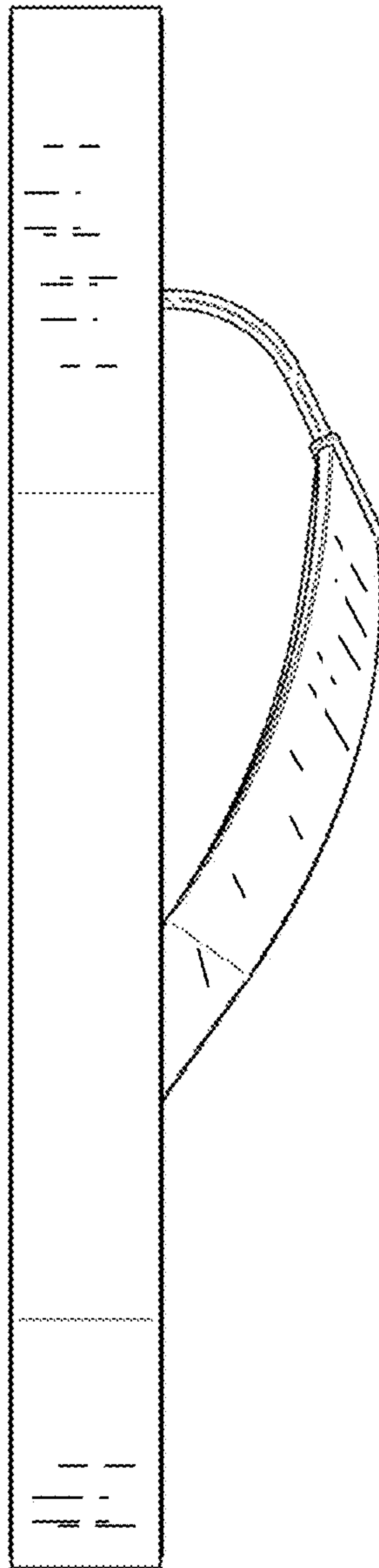


FIG. 6

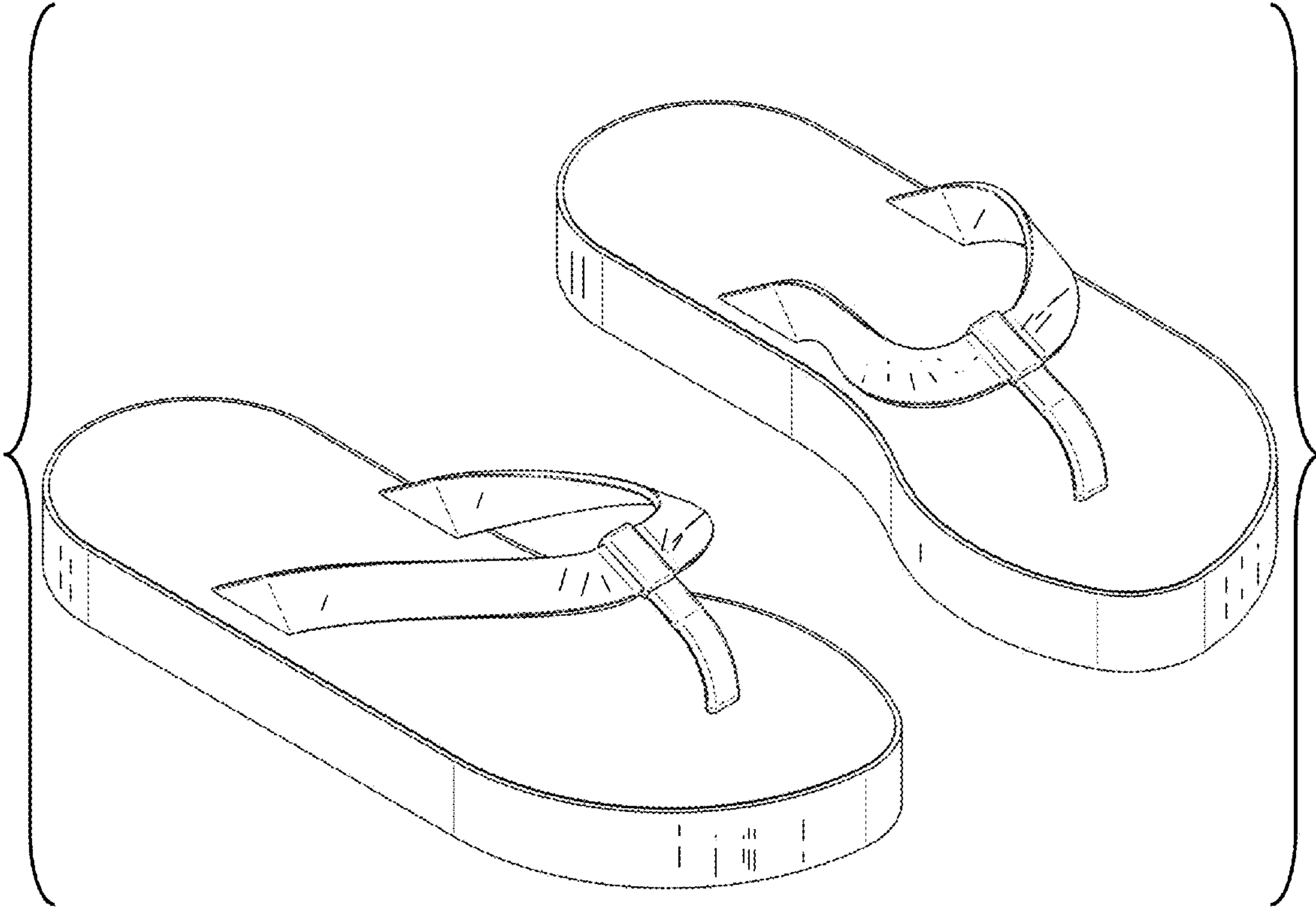


FIG 7

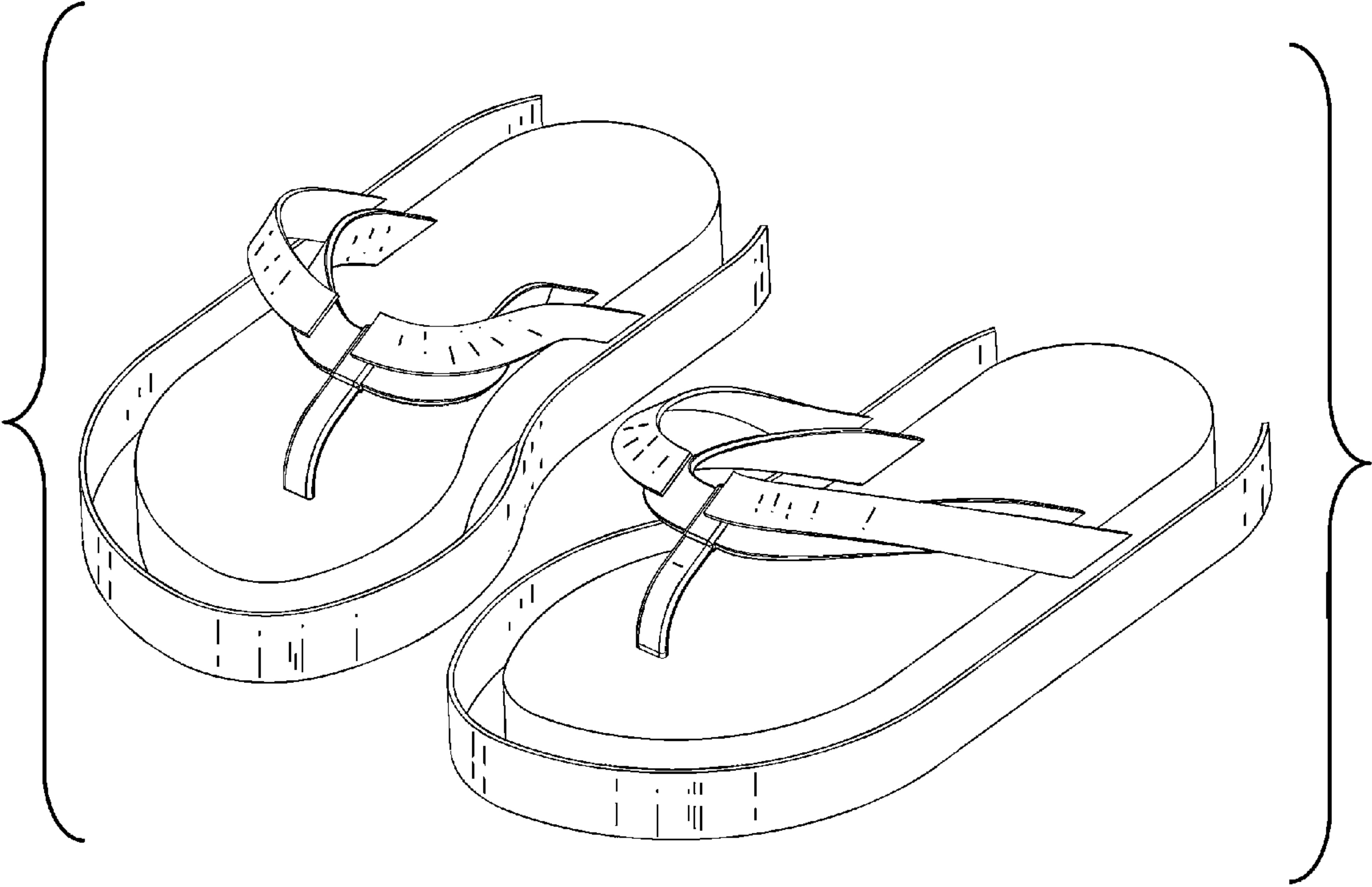


FIG 8