



US00D747857S

(12) **United States Design Patent**
Taylor

(10) **Patent No.:** **US D747,857 S**
(45) **Date of Patent:** **** Jan. 26, 2016**

(54) **MILITARY CAP WITH ORNAMENTAL INSERT**

(71) Applicant: **Brenda Taylor**, Orange Park, FL (US)

(72) Inventor: **Brenda Taylor**, Orange Park, FL (US)

(**) Term: **14 Years**

(21) Appl. No.: **29/445,919**

(22) Filed: **Feb. 19, 2013**

(51) **LOC (10) Cl.** **02-03**

(52) **U.S. Cl.**
USPC **D2/891**

(58) **Field of Classification Search**

USPC D2/865, 866, 867, 868, 869, 870, 871,
D2/872, 873, 874, 875, 876, 878, 879, 881,
D2/882, 883, 884, 889, 890, 891, 892, 893,
D2/894, 895; 2/209.12, 209.13, 195.1,
2/195.2, 195.3, 195.4, 195.6, 84, 171,
2/200.1, 202, 203, 204, 205, 206, 411,
2/209.3, 209.11, 171.1, 171.2, 171.4,
2/171.5, 171.6, 171.7, 171.8, 422, 181,
2/183, 195.5; 40/329
CPC A42B 1/004; A42B 1/062; A42B 1/063;
A42B 1/248; A42B 1/00; A42B 1/002;
A42B 1/069

See application file for complete search history.

(56) **References Cited**

U.S. PATENT DOCUMENTS

109,566 A * 11/1870 White 2/195.1
141,727 A * 8/1873 Pye 40/329
291,536 A * 1/1884 Raymond 2/181
D25,491 S * 5/1896 Bartel D2/882
661,509 A * 11/1900 Fogg 2/181
1,080,353 A * 12/1913 Kohler 2/195.1
1,194,193 A * 8/1916 Kronthal 2/181
1,374,737 A * 4/1921 Horowitz 2/181
1,422,366 A * 7/1922 Leger 2/195.5

1,433,108 A * 10/1922 Boucher 2/195.1
1,683,233 A * 9/1928 Blum 2/181
D82,590 S * 11/1930 Stern D2/882
D96,034 S * 6/1935 Greenberg D2/882
2,152,678 A * 4/1939 Biaesch 2/181
2,343,155 A * 2/1944 Morris 2/209.3
2,354,759 A * 8/1944 Libshutz et al. 2/181
2,389,689 A * 11/1945 Scheppler 2/181.2
2,398,714 A * 4/1946 Merton 40/329
2,408,318 A * 9/1946 Josephs 2/181.4
RE24,277 E * 2/1957 Davis 2/195.5
2,794,189 A * 6/1957 Nesbit et al. 2/182.1
2,822,549 A * 2/1958 Glass et al. 2/195.5
2,844,824 A * 7/1958 Weinstein 2/209.12
3,482,266 A * 12/1969 Wagner 2/195.5
3,608,094 A * 9/1971 Gallin 2/209.3

(Continued)

OTHER PUBLICATIONS

United States Air Force Symbol (on-line), introduced in Jan. 2000.
Retrieved from Internet Apr. 21, 2015, URL: http://en.wikipedia.org/wiki/United_States_Air_Force_Symbol (2 pages).*

Primary Examiner — Karen E. Eldridge Powers

Assistant Examiner — Kimberly Barnes

(74) *Attorney, Agent, or Firm* — Lawrence J. Gibney, Jr.

(57) **CLAIM**

The ornamental design for a military cap with ornamental insert, as shown and described.

DESCRIPTION

FIG. 1 is an exploded perspective view of a military cap with ornamental insert showing my new design;

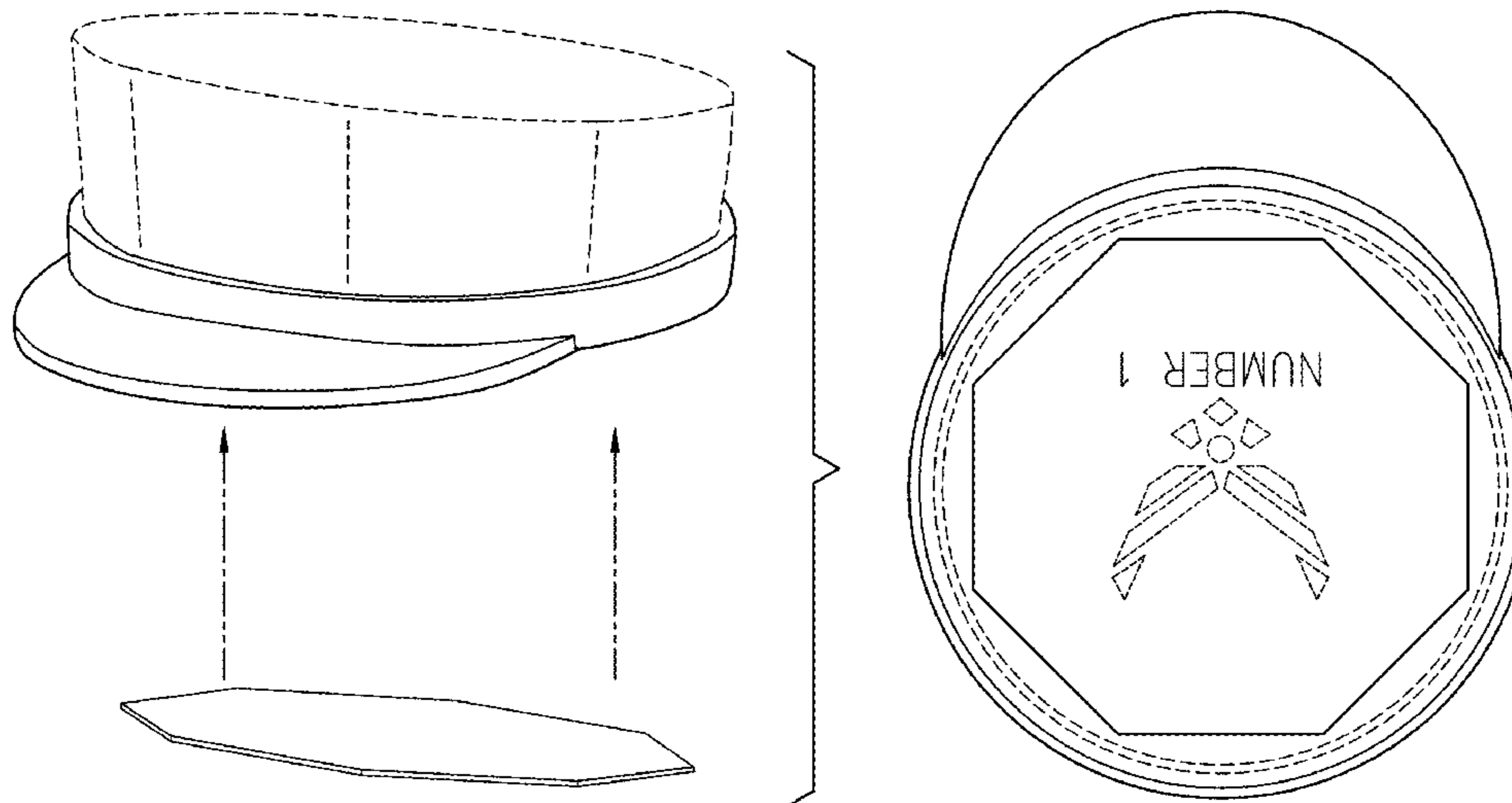
FIG. 2 is a bottom plan view thereof;

FIG. 3 is a top plan view thereof; and,

FIG. 4 is a side elevation view thereof.

The dashed lines represent environmental structure that forms no part of the claimed design. The dash-dot-dot-dash lines with arrowheads, illustrating that the octagonal structure inserts into the cap, form no part of the claimed design.

1 Claim, 4 Drawing Sheets



(56)

References Cited

U.S. PATENT DOCUMENTS

4,062,063	A *	12/1977	Bloom et al.	2/184.5	4,637,077	A *	1/1987	Henschel	2/195.5
4,247,958	A *	2/1981	Gallin	2/171.1	D676,631	S *	2/2013	Shaw	D2/892
4,472,837	A *	9/1984	Saxton	2/171.5	8,893,934	B2 *	11/2014	Zhao	223/12
						2004/0163158	A1 *	8/2004	Broome	2/184.5
						2008/0189828	A1 *	8/2008	Moss	2/209.13

* cited by examiner

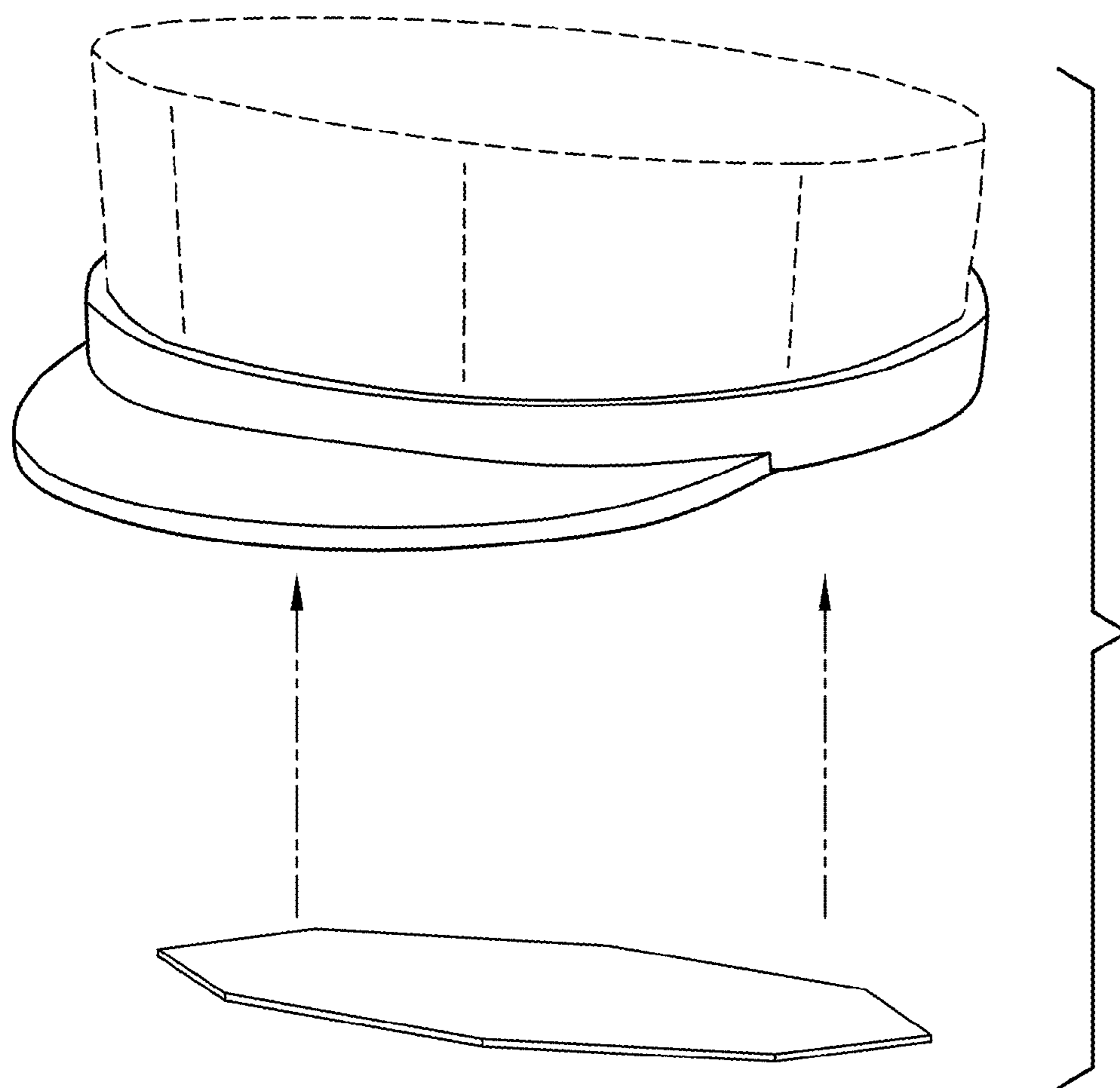


FIG. 1

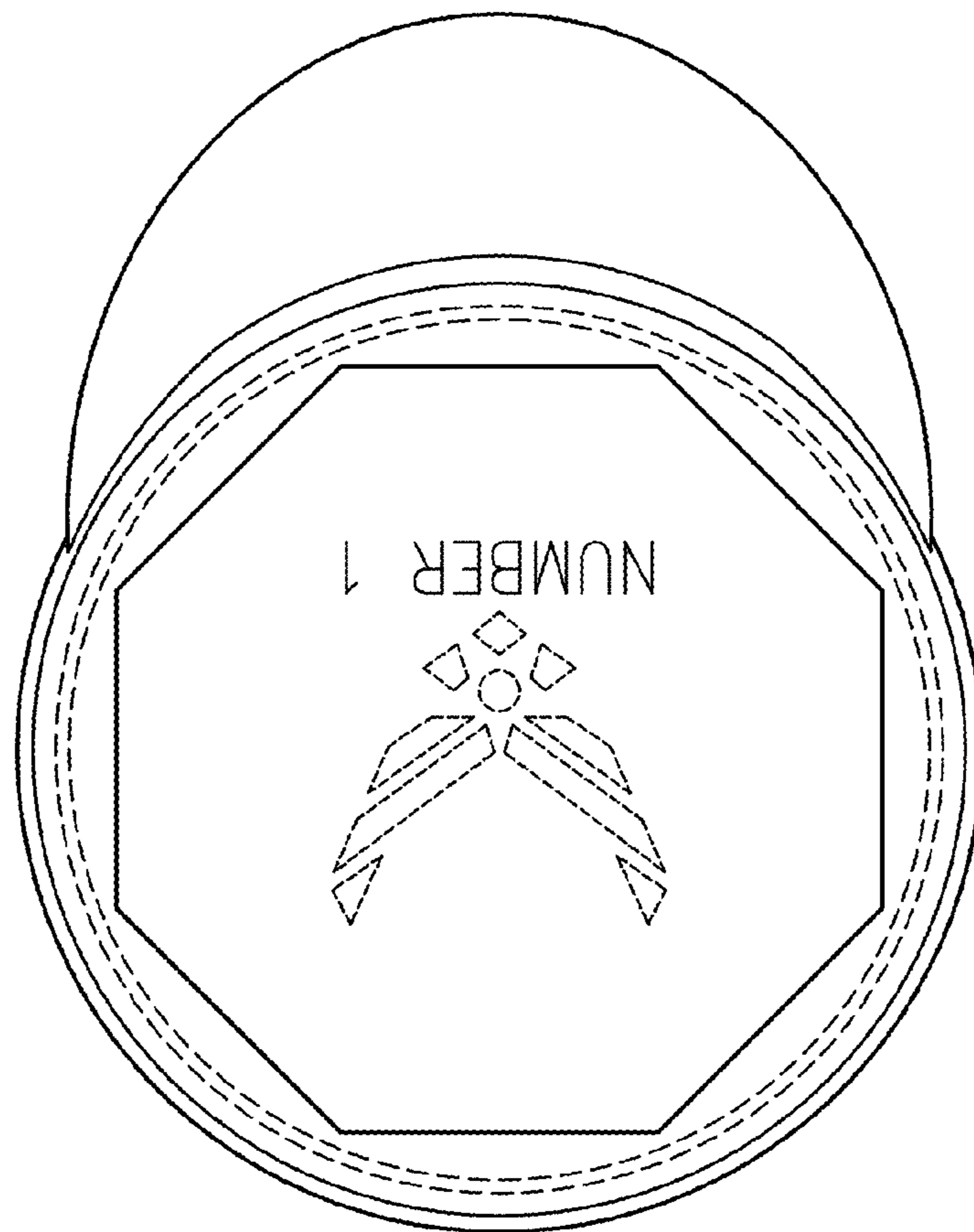


FIG. 2

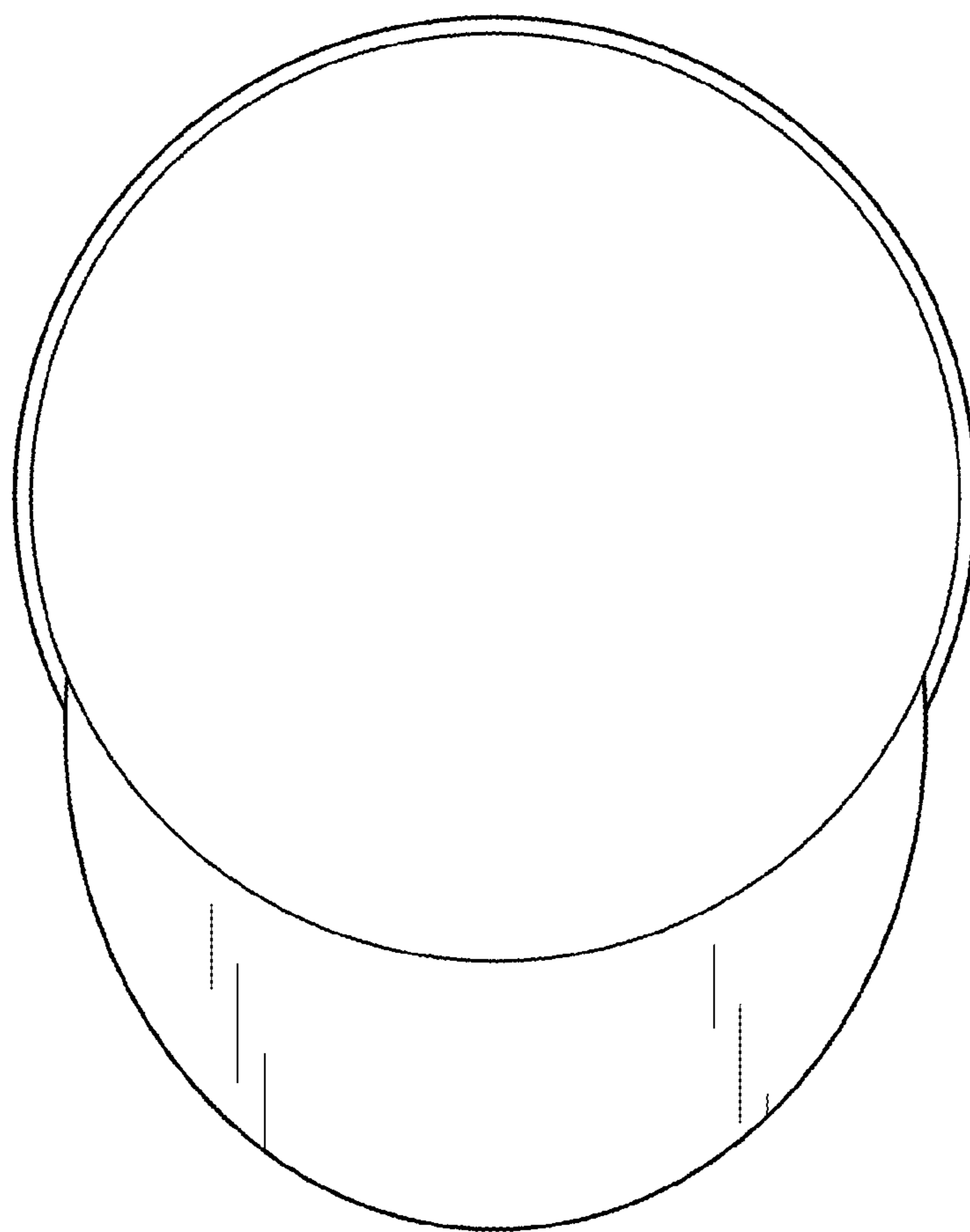


FIG. 3

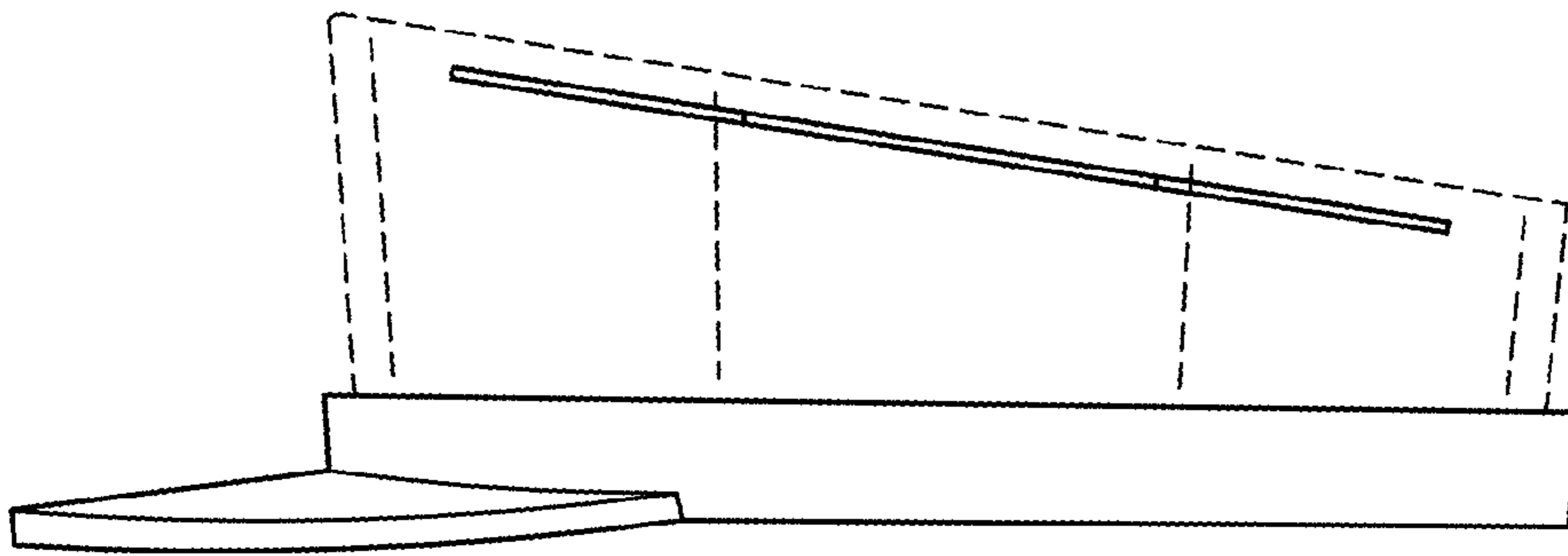


FIG. 4