



US00D747840S

(12) **United States Design Patent**
Rekow et al.

(10) **Patent No.:** **US D747,840 S**
(45) **Date of Patent:** **** Jan. 19, 2016**

- (54) **FORK LIFT TRUCK**
- (71) Applicant: **Crown Equipment Corporation**, New Bremen, OH (US)
- (72) Inventors: **Craig J. Rekow**, Troy, OH (US); **Trisha M. Luthman**, Covington, OH (US); **Roger J. Quinlan**, Troy, OH (US); **Michael P. Gallagher**, Greenville, OH (US)
- (73) Assignee: **Crown Equipment Corporation**, New Bremen, OH (US)

6,409,254	B2 *	6/2002	Tiziano	296/190.08
D479,536	S *	9/2003	Dahl et al.	D15/30
D649,322	S	11/2011	Bartlett et al.		
2002/0011743	A1 *	1/2002	Tiziano	296/190.08
2002/0079721	A1 *	6/2002	Colliar et al.	296/190.08
2006/0017308	A1 *	1/2006	Kojima et al.	296/190.03

(**) Term: **14 Years**

(21) Appl. No.: **29/497,827**

(22) Filed: **Jul. 29, 2014**

(51) **LOC (10) Cl.** **12-05**

(52) **U.S. Cl.**
USPC **D34/35**

(58) **Field of Classification Search**
USPC D34/28-37; D15/10-33; 180/89.1, 180/89.12, 235, 900, 89.17; 296/193.03, 296/193.08, 79, 190.08, 190.03, 210, 202; 172/611, 776; 414/694, 699, 722-724, 414/680, 660, 685, 465
CPC B66F 9/24; B66F 9/07563; B66F 17/003; B66F 9/105; B66F 9/07545; B66F 9/12; B66F 9/146; B66F 9/195
See application file for complete search history.

(56) **References Cited**

U.S. PATENT DOCUMENTS

6,189,955	B1 *	2/2001	Fryk et al.	296/190.08
6,209,949	B1 *	4/2001	Sakyo et al.	296/190.08
D441,936	S *	5/2001	Brandt et al.	D34/28
6,325,450	B2 *	12/2001	Sakyo et al.	296/190.08

OTHER PUBLICATIONS

Crown Equipment Corporation; Crown FC 4500 Series, Profile Sheet, Sit-Down Rider Lift Truck brochure; 2007-2011, SF18708 Rev.3/11; United States of America.

Crown Equipment Corporation; Crown SC 5200 Series, Profile Sheet, Sit-Down Rider Lift Truck brochure; 2011-2013, SF18753 Rev.01/13; United States of America.

* cited by examiner

Primary Examiner — Cynthia Ramirez

Assistant Examiner — Gino Colan

(74) *Attorney, Agent, or Firm* — Stevens & Showalter, LLP

(57) **CLAIM**

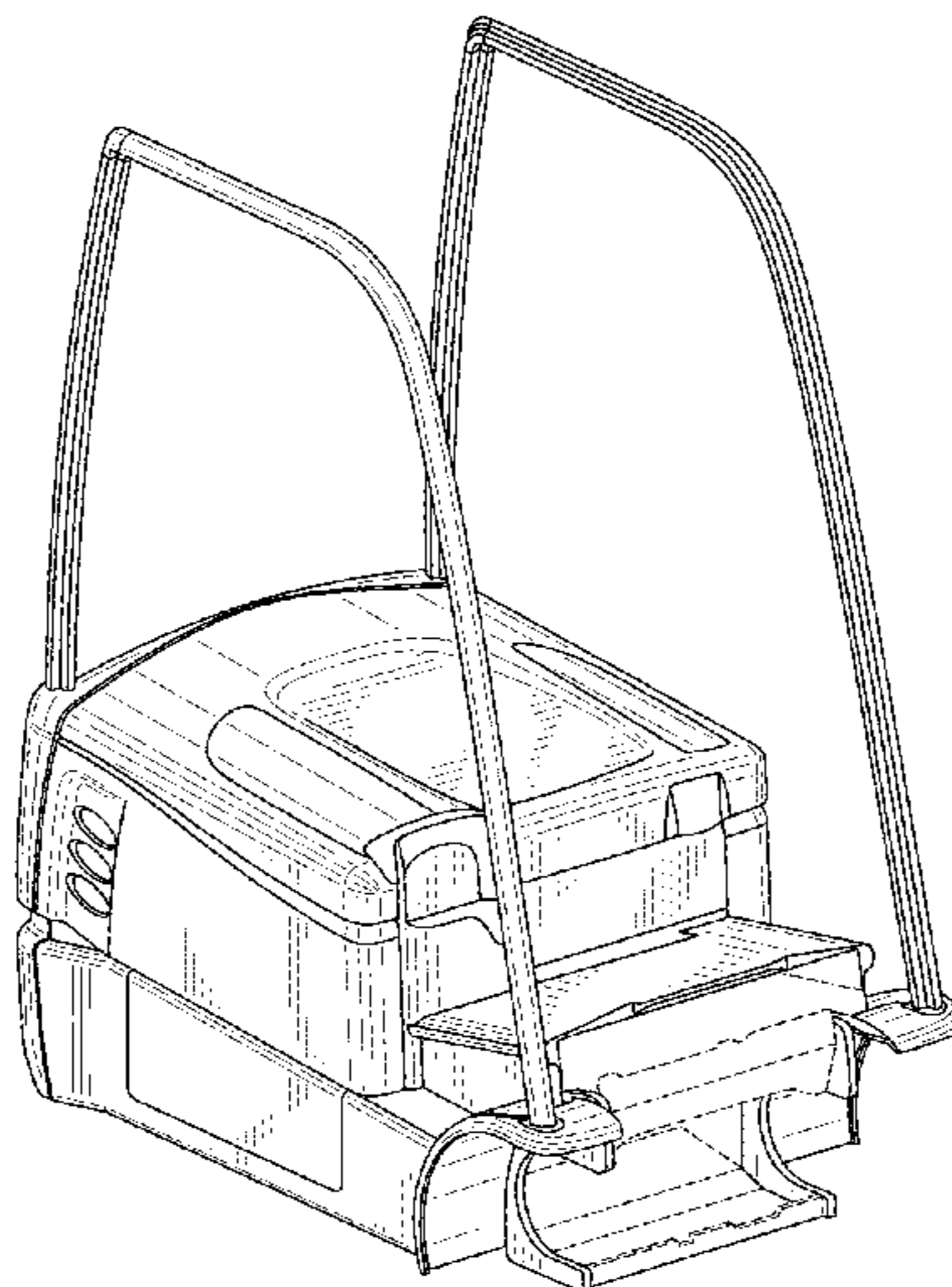
The ornamental design for a fork lift truck, as shown and described.

DESCRIPTION

FIG. 1 is a perspective view of the fork lift truck; FIG. 2 is a rear elevational view thereof; FIG. 3 is a front elevational view thereof; FIG. 4 is a left elevational view thereof; FIG. 5 is a right elevational view thereof; FIG. 6 is a top view thereof; FIG. 7 is a bottom view thereof; and, FIG. 8 is a perspective view of the fork lift truck as seen from the top, front and left sides showing our new design and its environment.

The broken lines shown in the figures are for the purpose of illustrating environment and form no part of the claimed design.

1 Claim, 6 Drawing Sheets



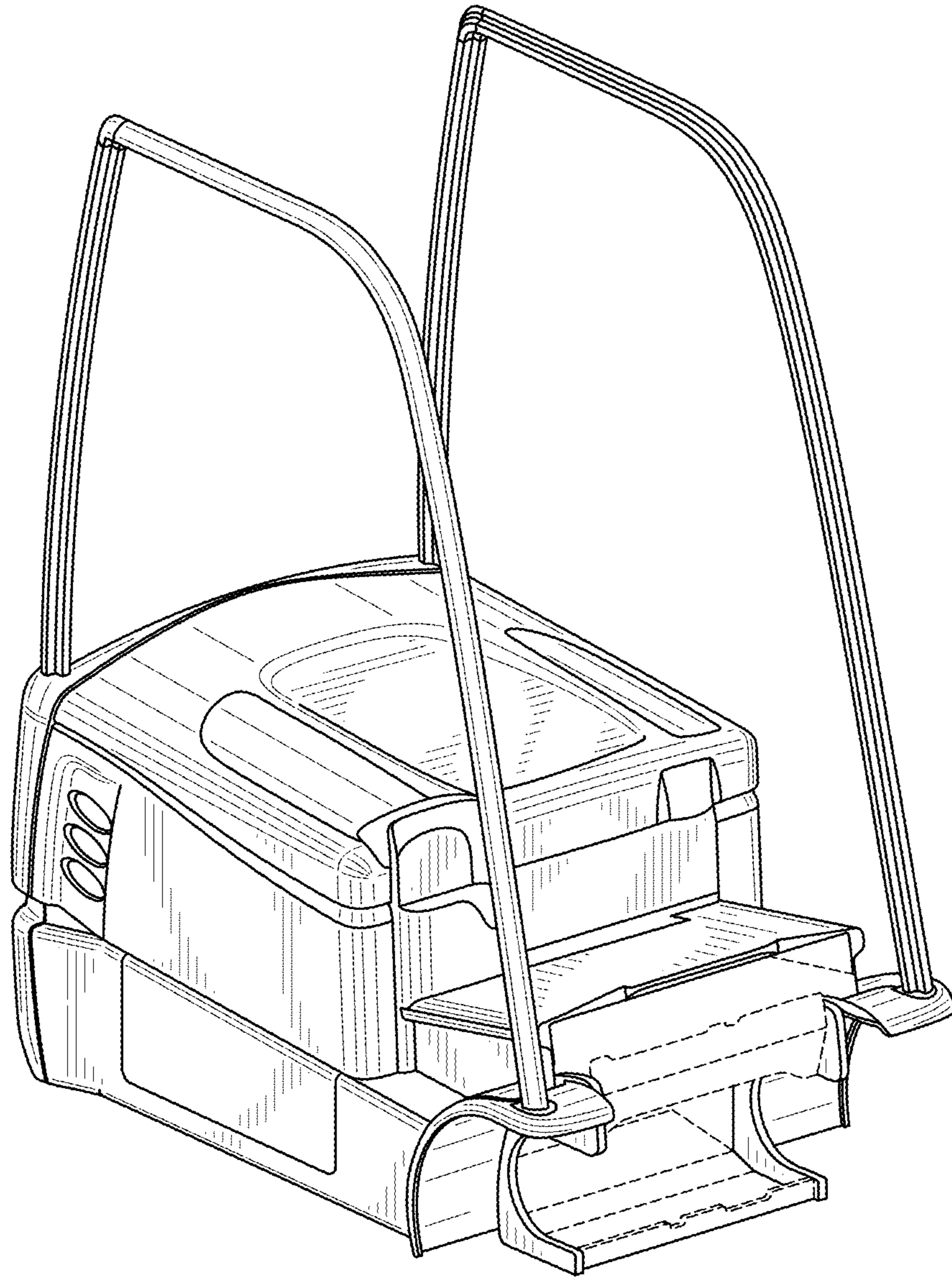


FIG. 1

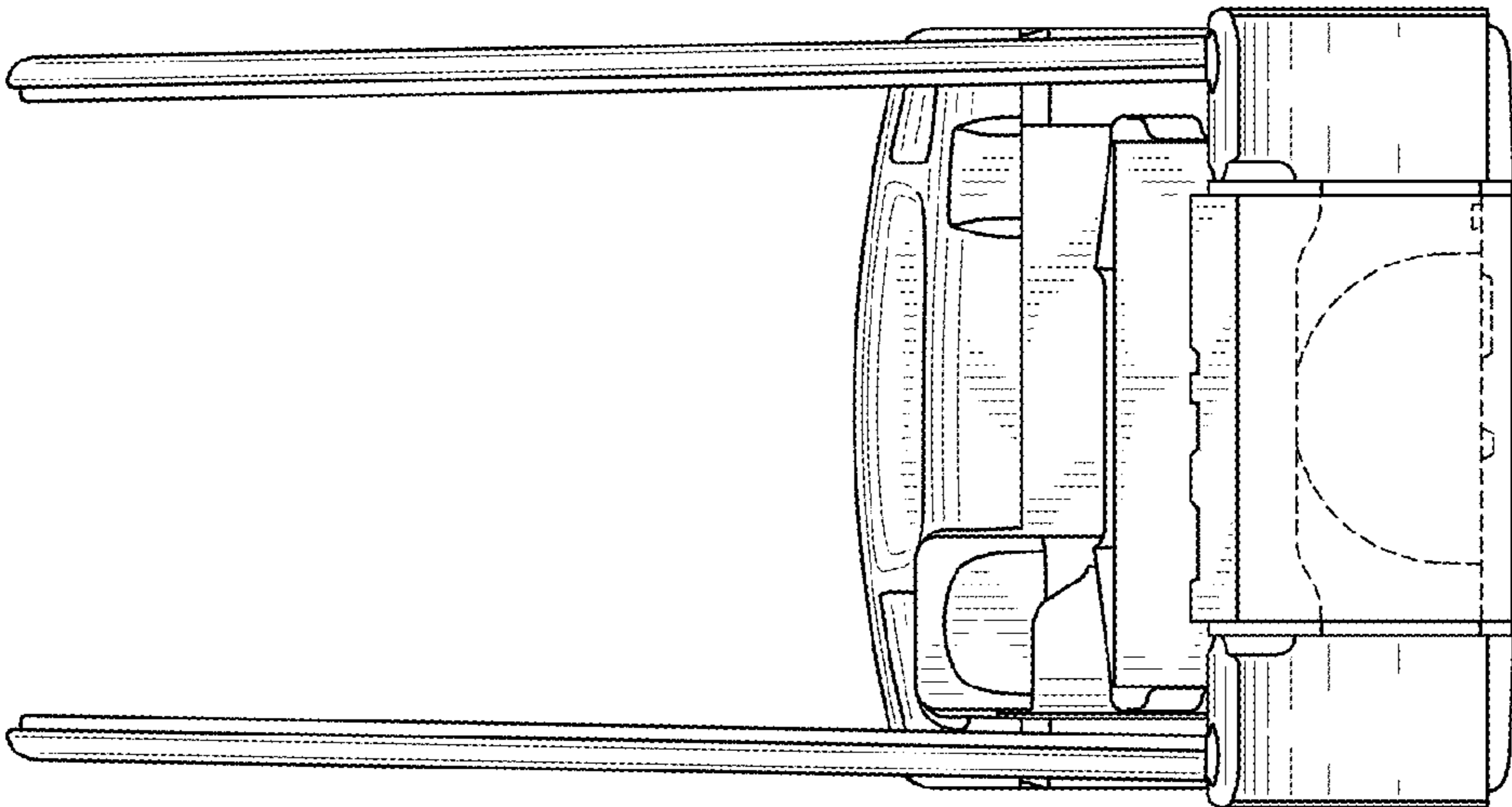


FIG. 3

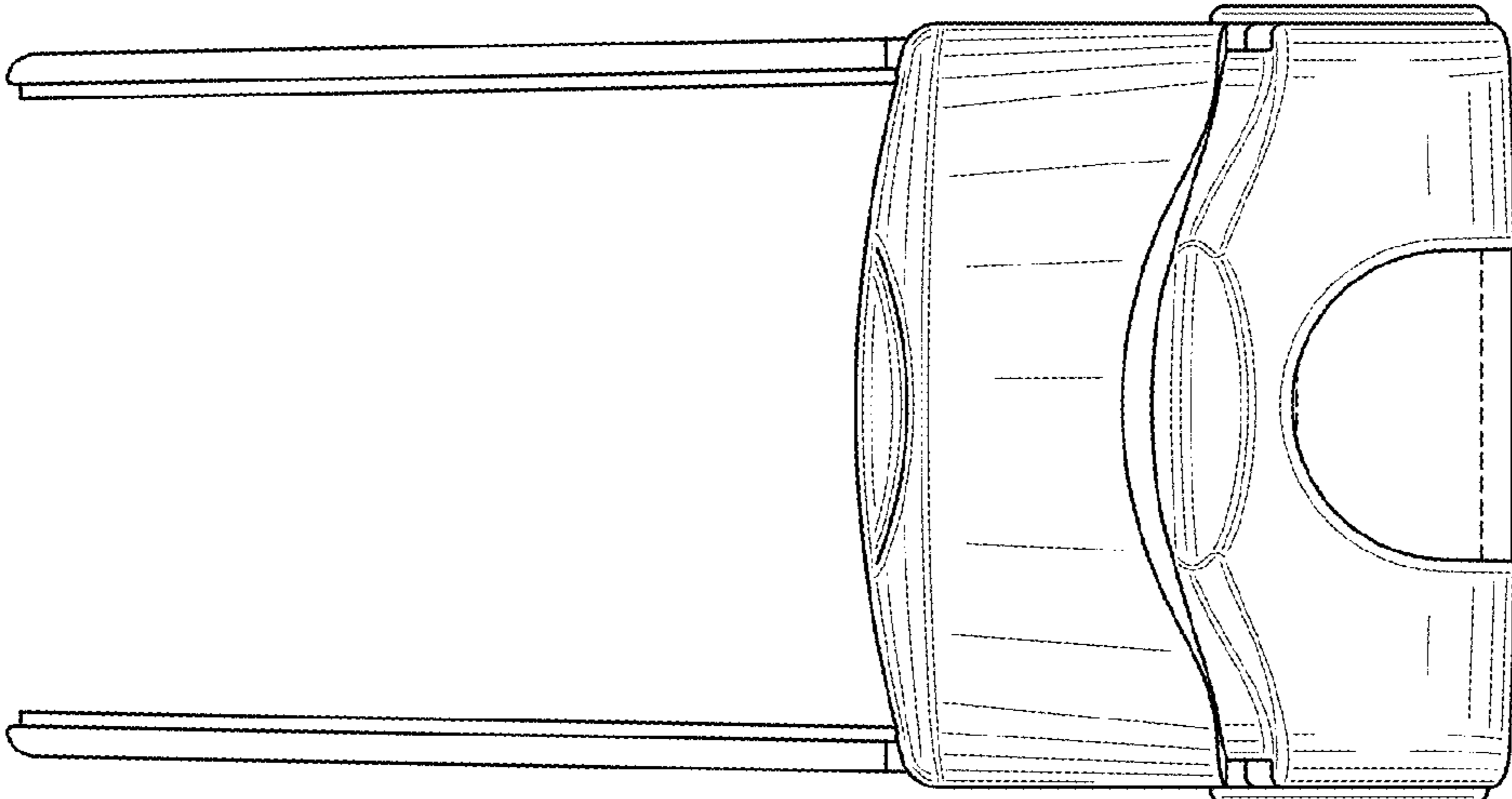


FIG. 2



FIG. 4



FIG. 5

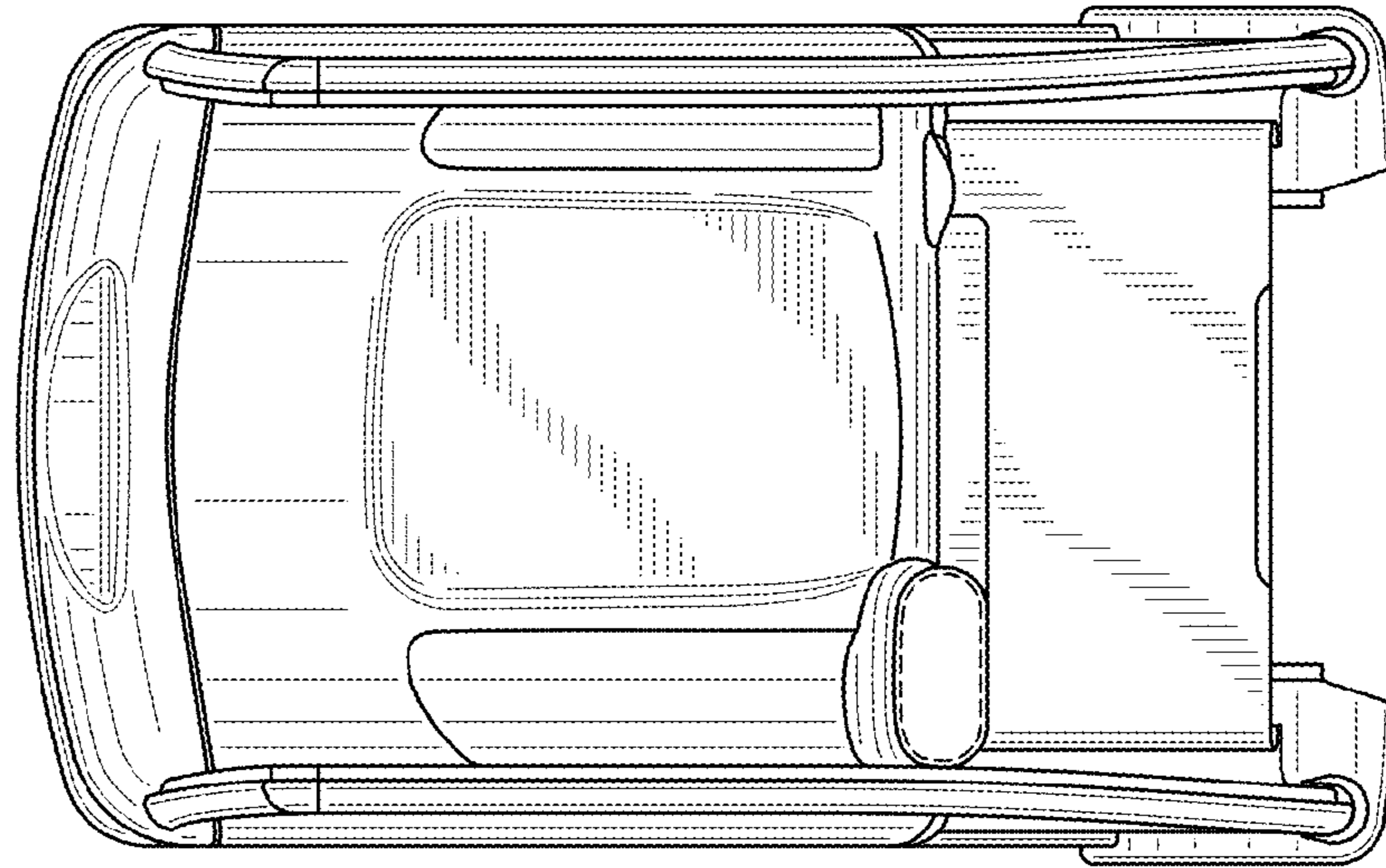


FIG. 6

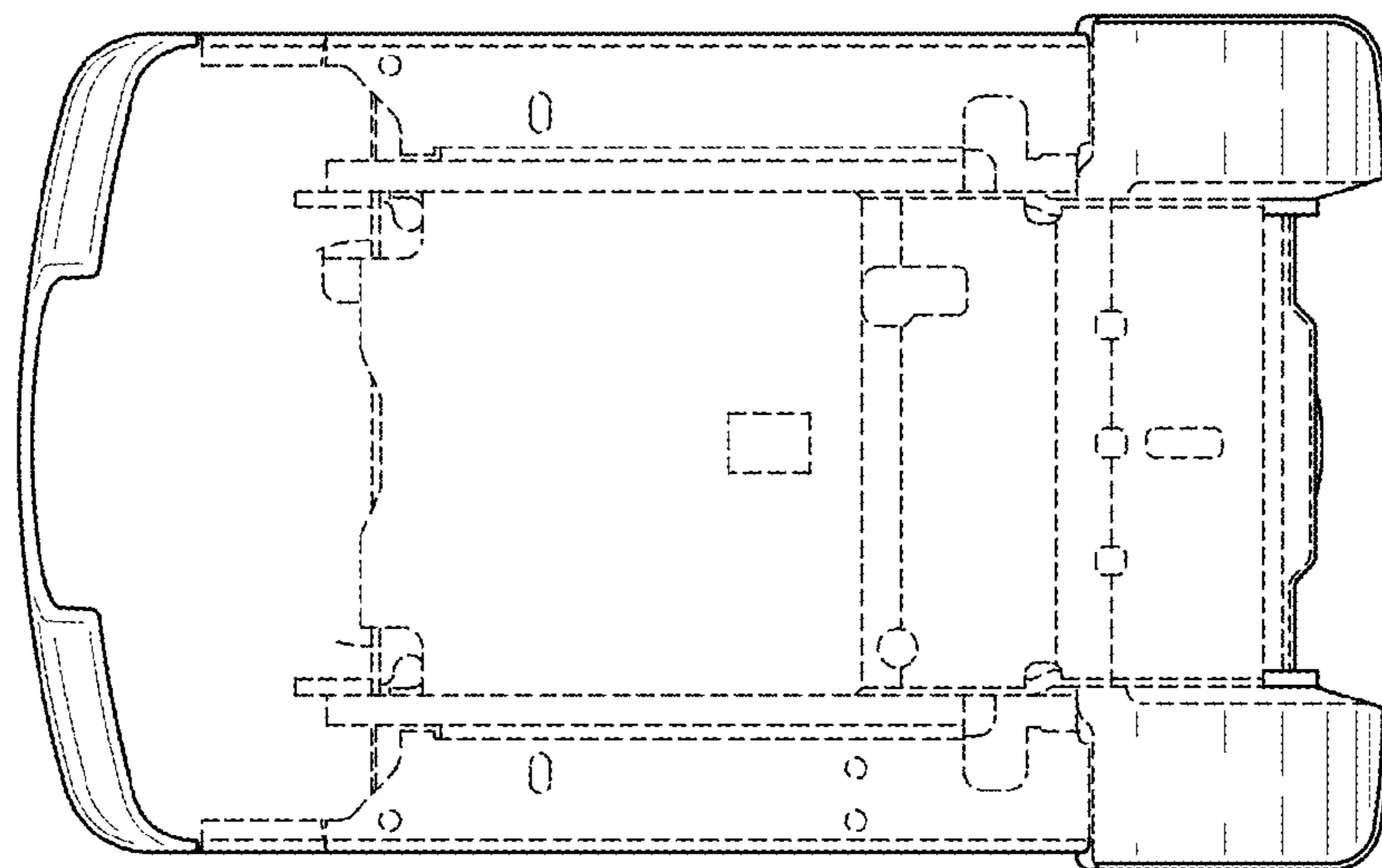


FIG. 7

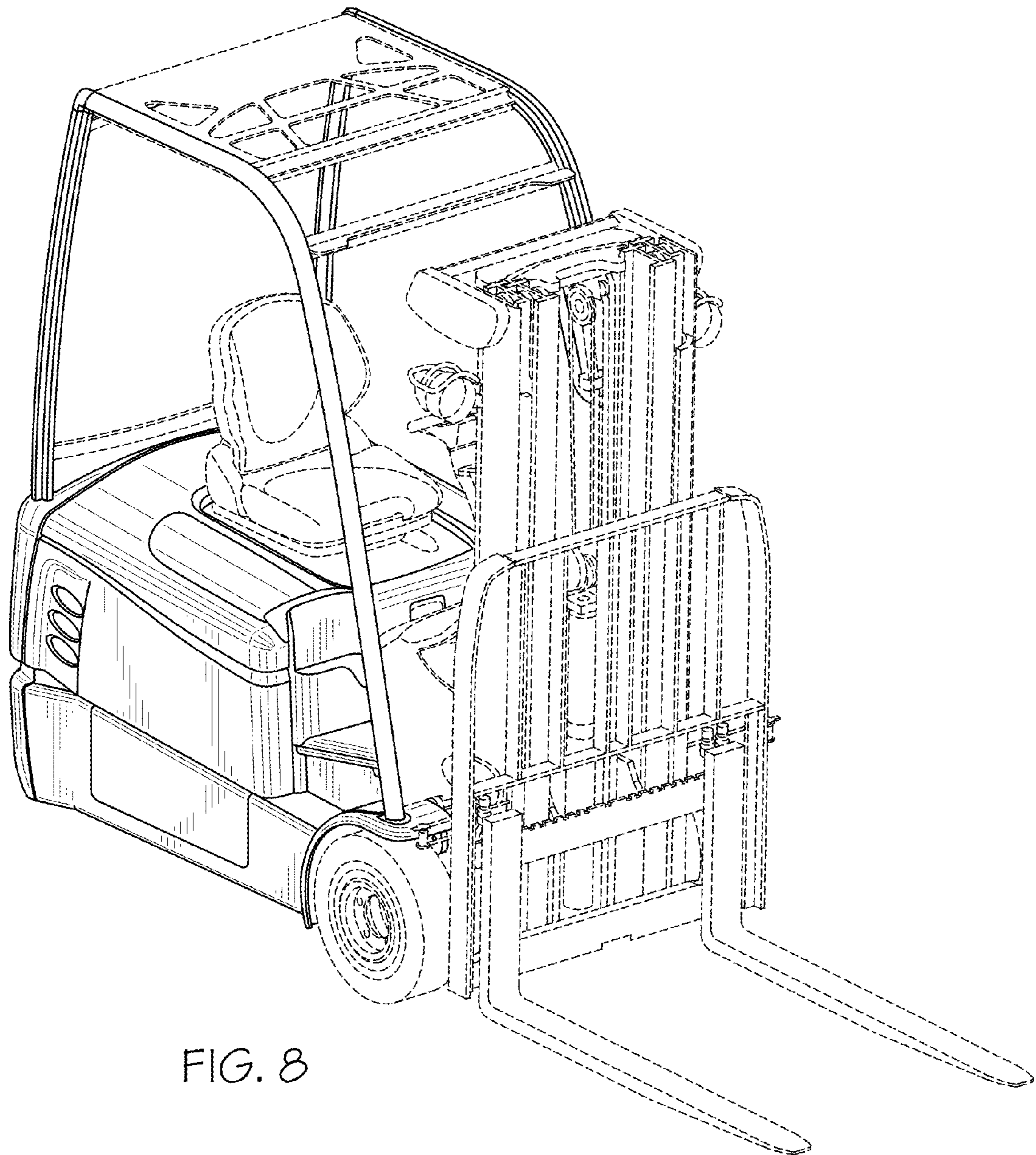


FIG. 8