



US00D747837S

(12) **United States Design Patent**  
**Chang**

(10) **Patent No.:** **US D747,837 S**  
(45) **Date of Patent:** **\*\* Jan. 19, 2016**

- (54) **FILE STORAGE ROLLING CART**
- (71) Applicant: **Charles Yao Chung Chang**, Diamond Bar, CA (US)
- (72) Inventor: **Charles Yao Chung Chang**, Diamond Bar, CA (US)
- (73) Assignee: **OCEANSTAR DESIGN GROUP INC.**, Diamond Bar, CA (US)

D354,382 S *	1/1995	Mogensen	.....	D34/17
D362,528 S	9/1995	Shannon et al.		
5,738,365 A *	4/1998	McCarthy	.....	B62B 3/022 280/651
D429,865 S *	8/2000	Bartz, Jr.	.....	D34/12
D436,239 S *	1/2001	Walsh	.....	D34/17
D460,848 S	7/2002	Tzeng		
D555,871 S *	11/2007	Pong	.....	D34/17
D636,550 S	4/2011	Molayem		
D697,285 S	1/2014	Greenspon		
D703,412 S	4/2014	Snider et al.		
D721,904 S *	2/2015	Tsai	.....	D6/675.5

(\*\*) Term: **14 Years**

\* cited by examiner

(21) Appl. No.: **29/512,129**

*Primary Examiner* — Cynthia Ramirez

(22) Filed: **Dec. 17, 2014**

(51) **LOC (10) Cl.** ..... **12-02**

(52) **U.S. Cl.**  
USPC ..... **D34/21**

(58) **Field of Classification Search**  
USPC ..... D34/12-27; D6/675, 675.2, 675.5;  
211/189, 187; 280/79.3, 79.2, 79.11  
CPC ..... B62B 3/002; B62B 3/006; B62B 3/10;  
B62B 3/02; B62B 5/0083  
See application file for complete search history.

(56) **References Cited**

**U.S. PATENT DOCUMENTS**

4,740,010 A *	4/1988	Moskovitz	.....	A47B 31/04 108/170
D341,459 S	11/1993	Yang		

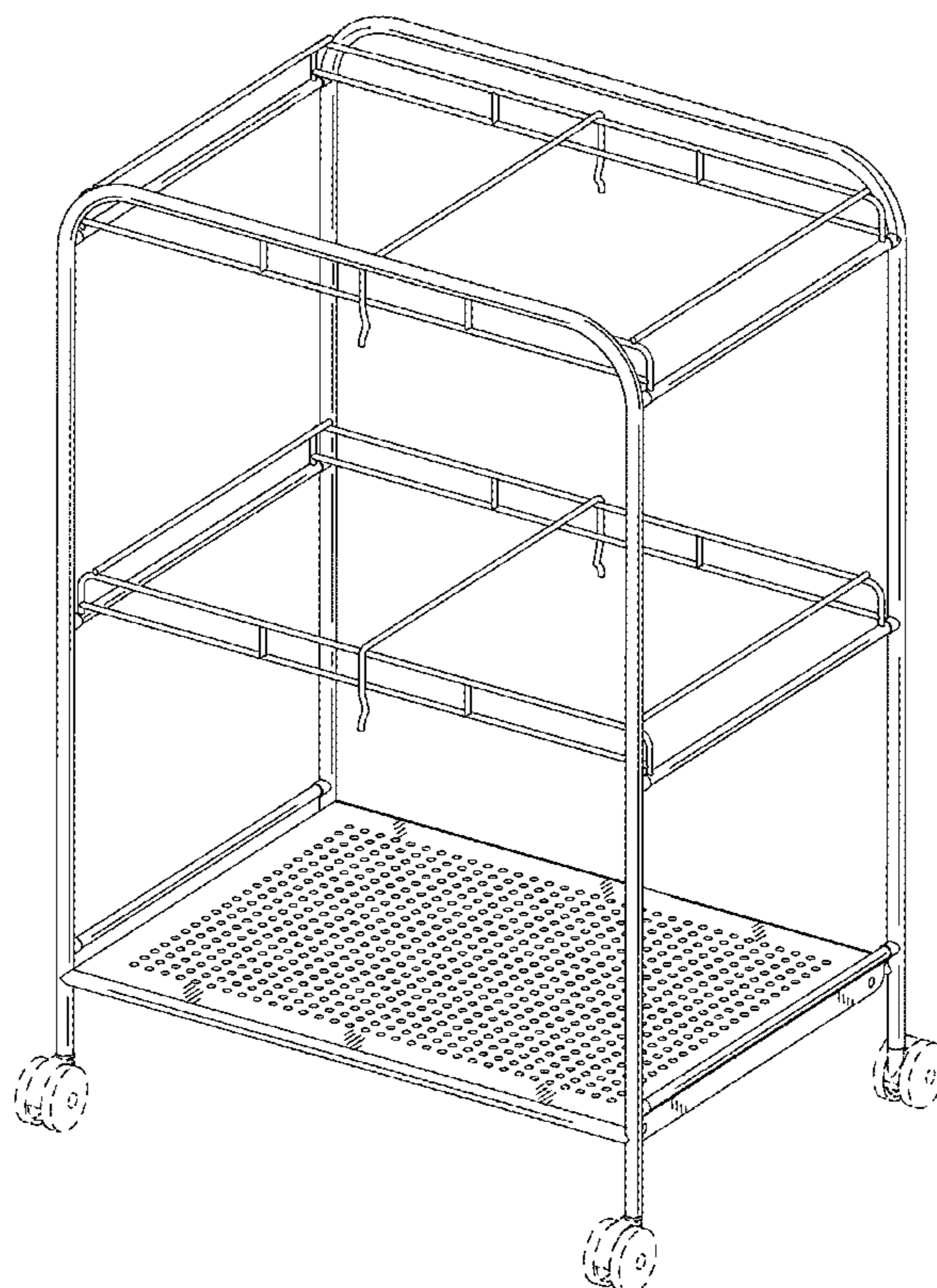
(57) **CLAIM**

The ornamental design for a file storage rolling cart, as shown and described.

**DESCRIPTION**

FIG. 1 is a perspective view of a file storage rolling cart; FIG. 2 is a front elevation view thereof; FIG. 3 is a side elevation view thereof; FIG. 4 is a top plan view thereof; and, FIG. 5 is a bottom plan view thereof. The broken line showing of a set of wheels in the figures is included for the purpose of illustrating environment and forms no part of the claimed design.

**1 Claim, 4 Drawing Sheets**



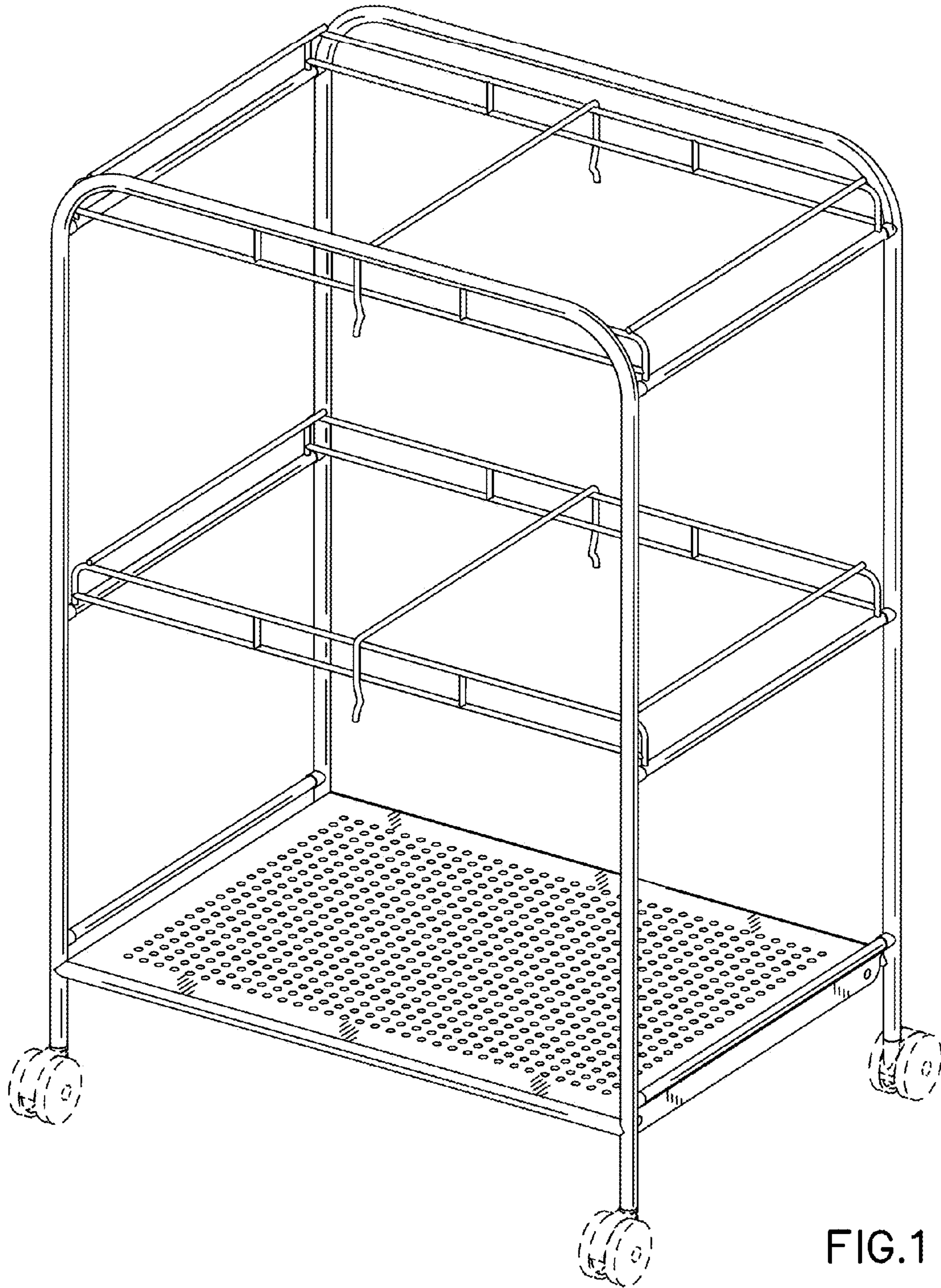


FIG.1

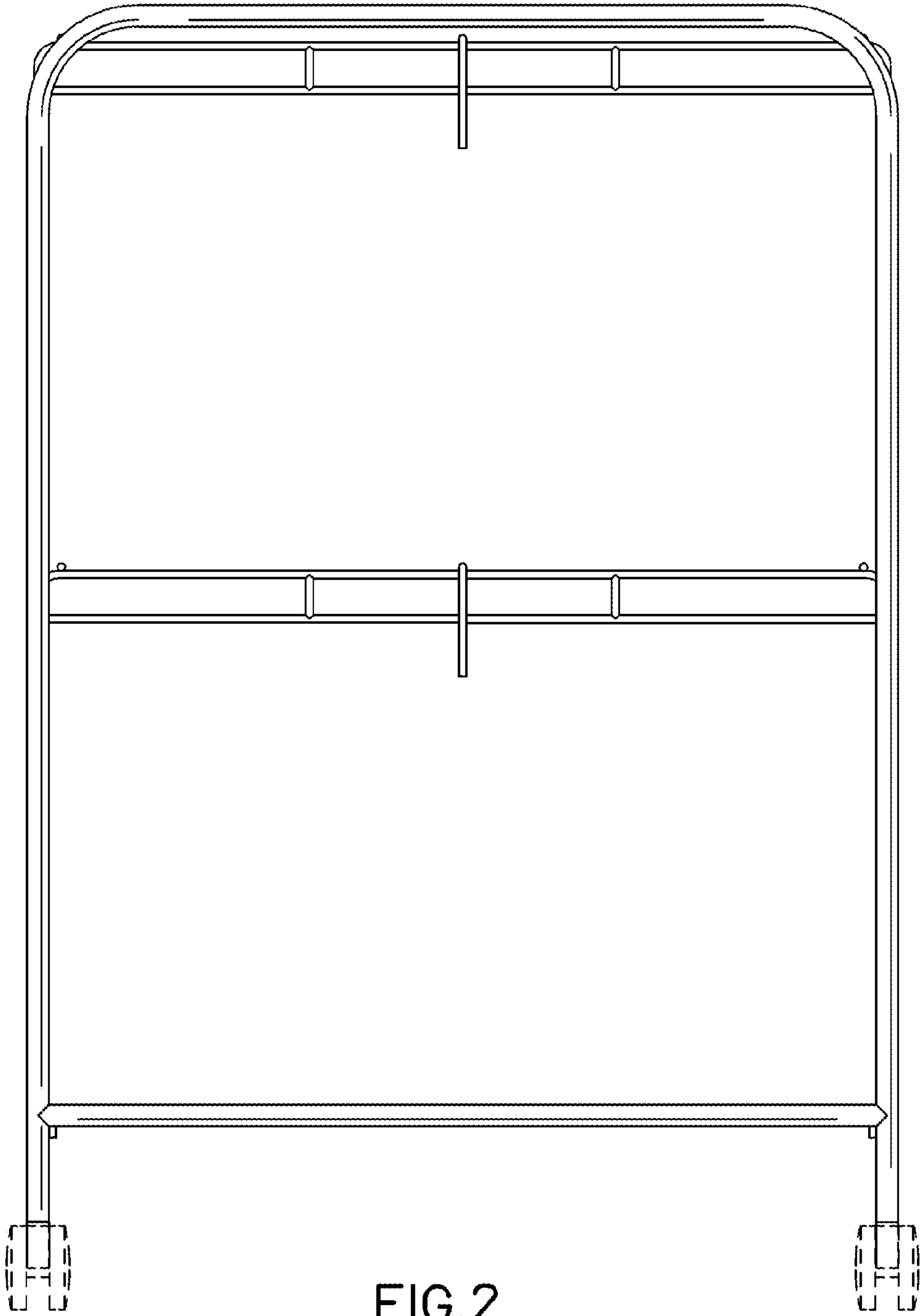


FIG.2

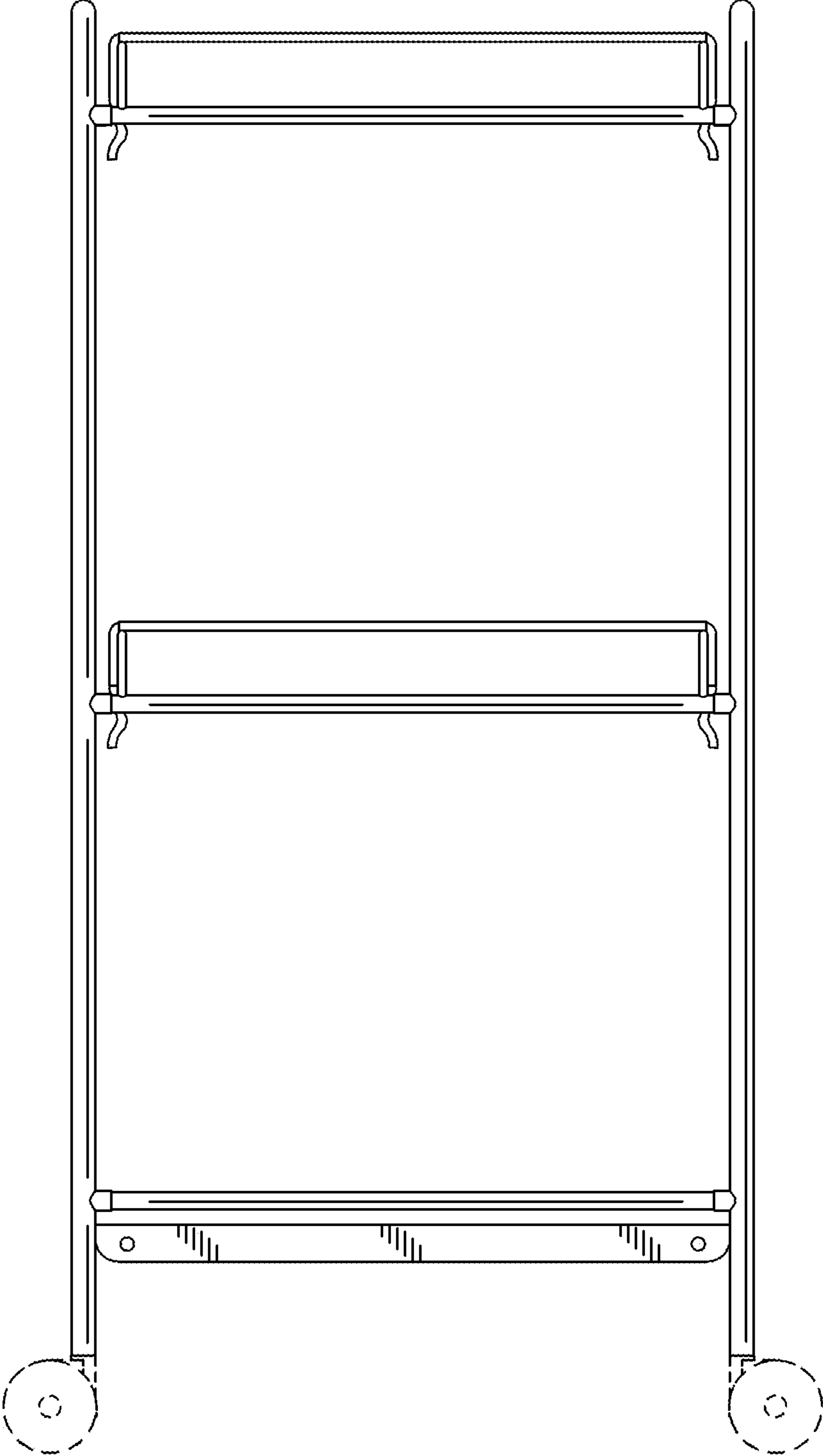


FIG.3

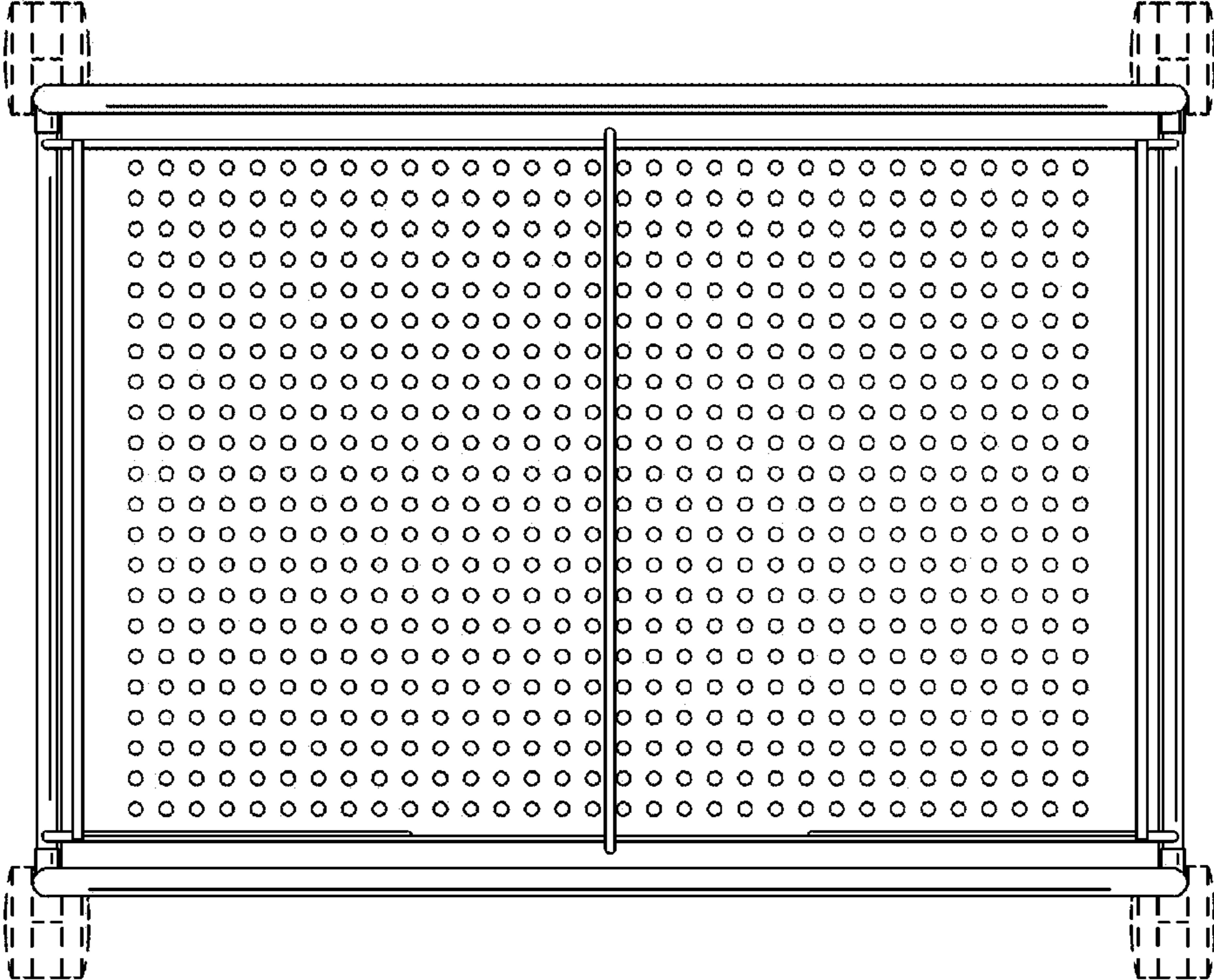


FIG. 4

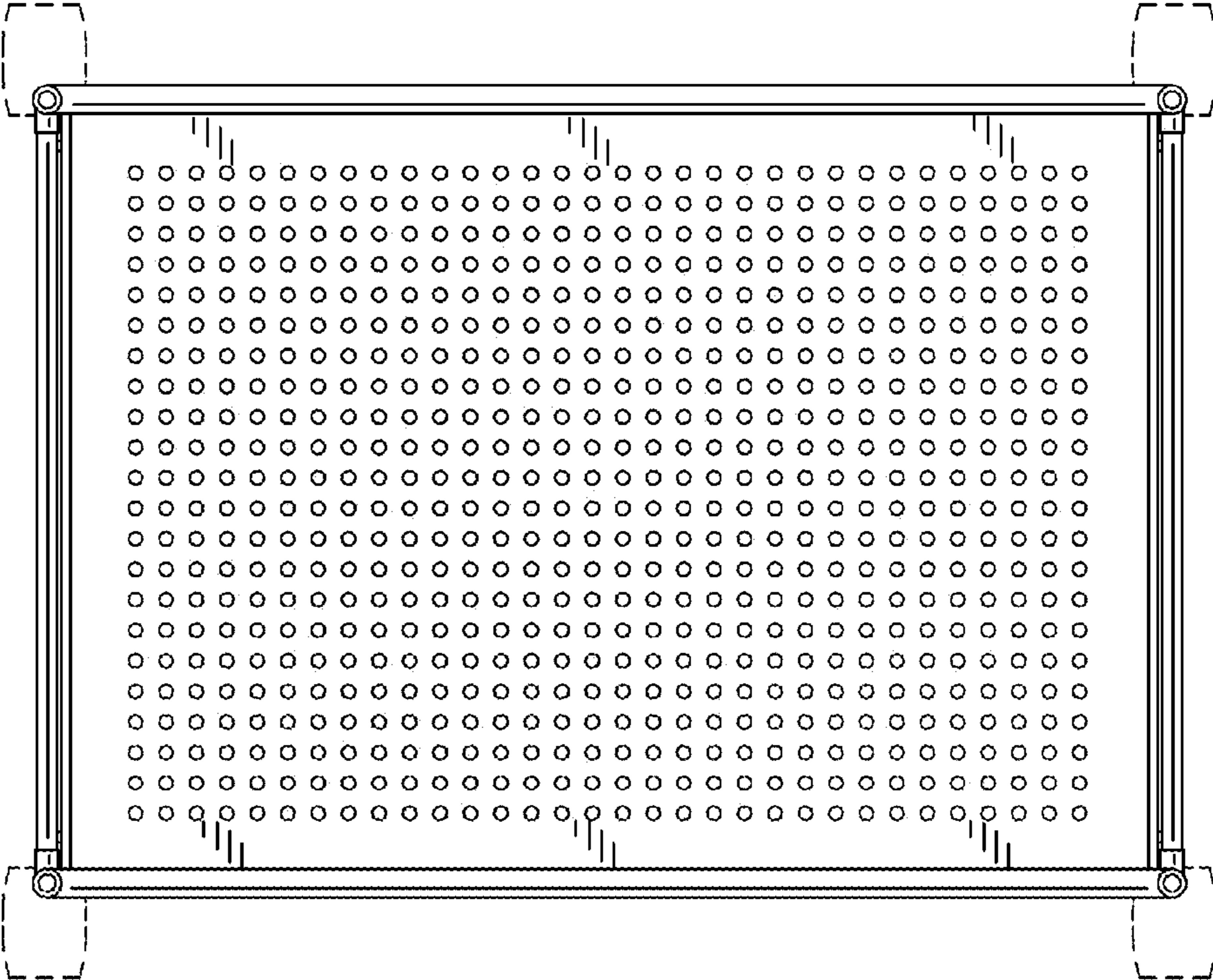


FIG. 5