



US00D747836S

(12) **United States Design Patent**
Cho et al.

(10) **Patent No.:** **US D747,836 S**
(45) **Date of Patent:** **** Jan. 19, 2016**

(54) **WASHING MACHINE**

(71) Applicant: **SAMSUNG ELECTRONICS CO., LTD.**, Suwon-si (KR)

(72) Inventors: **Chul-Yong Cho**, Seoul (KR); **Kisang Yoon**, Daejeonsi (KR); **Seonju Lee**, Seoul (KR); **Jongsu Jeon**, Sungnamsi (KR); **Chris Bangle**, Clavesana (IT)

(73) Assignee: **Samsung Electronics Co., Ltd.**, Suwon-Si (KR)

(**) Term: **14 Years**

(21) Appl. No.: **29/473,339**

(22) Filed: **Nov. 21, 2013**

Related U.S. Application Data

(62) Division of application No. 29/441,395, filed on Jan. 4, 2013, now Pat. No. Des. 706,999.

(51) **LOC (10) Cl.** **15-05**

(52) **U.S. Cl.**
USPC **D32/6**

(58) **Field of Classification Search**
USPC D32/1-3, 6, 25, 28, 32, 24, 74;
15/257.1, 257.4; 134/57 DL; D12/410,
D12/425, 202, 203, 206, 184, 213, 217, 318,
D12/300; D21/385-386; D24/123; D7/587;
D14/214; D8/10

See application file for complete search history.

(56) **References Cited**

U.S. PATENT DOCUMENTS

1,570,368 A * 1/1926 Zeh 428/78
D72,458 S * 4/1927 Swanson D32/6
D96,789 S * 9/1935 Walker D32/6
4,683,900 A * 8/1987 Carmichael 135/88.01
D315,138 S * 3/1991 Simpkins et al. D12/304

D355,883 S * 2/1995 Simpkins D12/317
D357,893 S * 5/1995 Blount D12/315
D382,735 S * 8/1997 Zapf D6/492
D392,522 S * 3/1998 Kenyon D8/10
5,744,218 A * 4/1998 Barnes 428/192
5,768,710 A * 6/1998 Williams 2/161.1

(Continued)

FOREIGN PATENT DOCUMENTS

CN 301457509 * 2/2011
CN 301581496 * 6/2011

(Continued)

OTHER PUBLICATIONS

Parking Canopy,Car Parking Canopy,Vehicle Parking Canopy
Manufacturers,Suppliers in Rajkot, copyright 2010, online, <http://www.thenexusarchitecturalproducts.com/parking-canopy-1.htm>,
[site visited Mar. 16, 2015 1:49:44 PM].*

(Continued)

Primary Examiner — John Windmuller

Assistant Examiner — John R Yeh

(74) *Attorney, Agent, or Firm* — Ladas & Parry LLP

(57) **CLAIM**

We claim the ornamental design for a washing machine, as shown and described.

DESCRIPTION

FIG. 1 is a front/right-side/top perspective view of our new design for a washing machine;

FIG. 2 is a front-side elevational view thereof;

FIG. 3 is a rear-side elevational view thereof;

FIG. 4 is a left-side elevational view thereof;

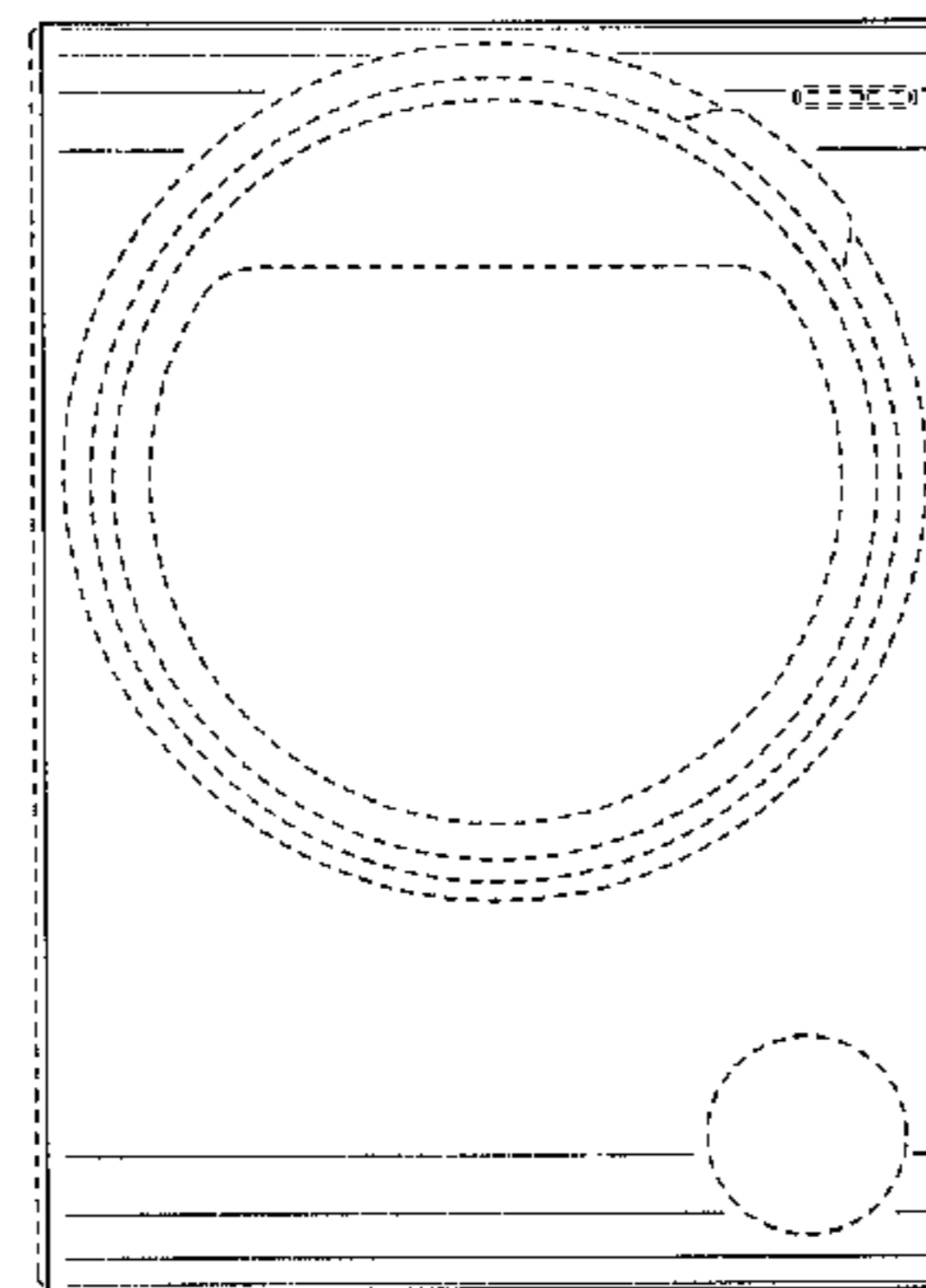
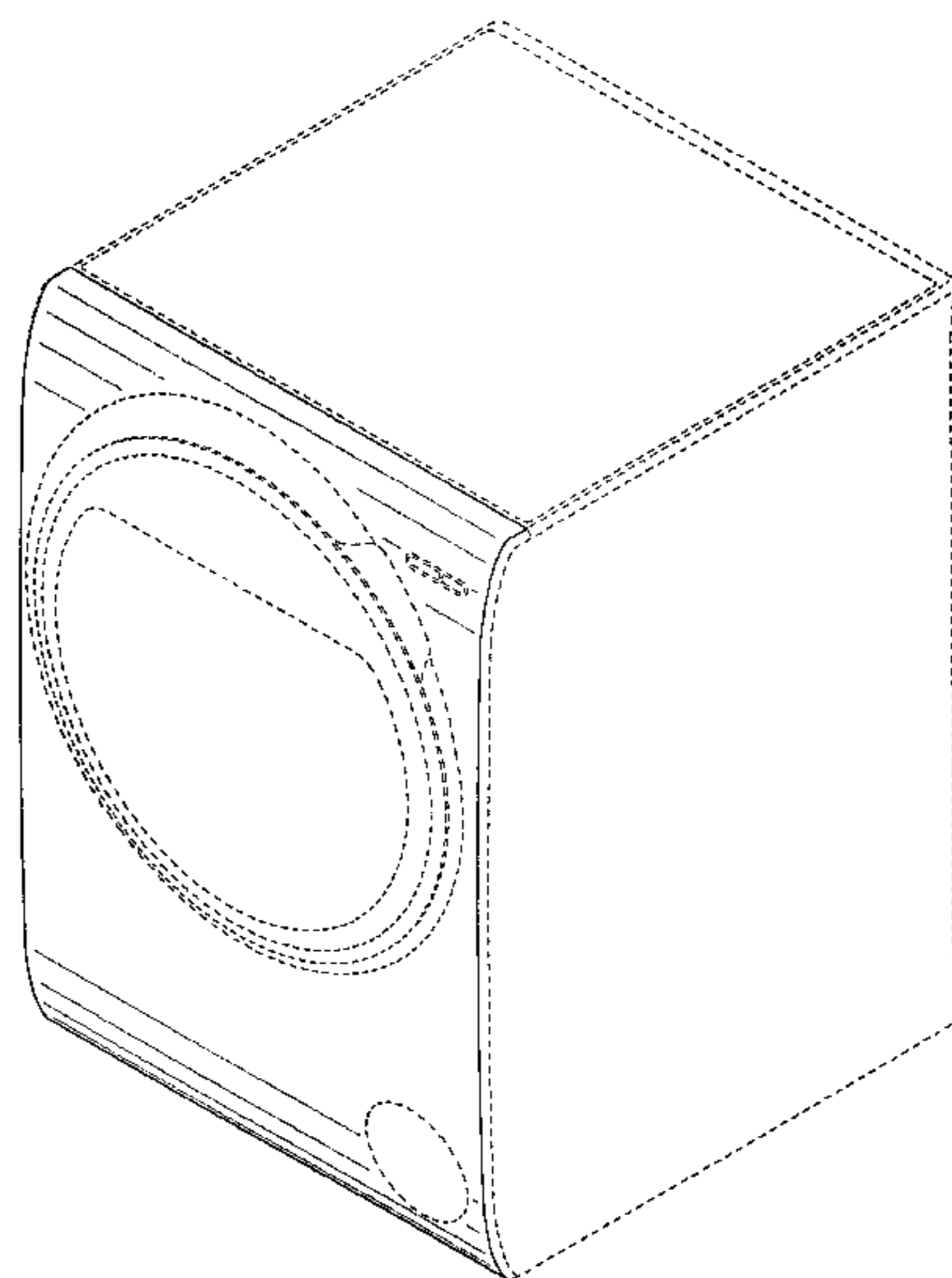
FIG. 5 is a right-side elevational view thereof;

FIG. 6 is a top-side plan view thereof; and,

FIG. 7 is a bottom-side plan view thereof.

None of broken lines form a part of the claimed design.

1 Claim, 7 Drawing Sheets



(56)

References Cited

U.S. PATENT DOCUMENTS

5,906,287	A	*	5/1999	Kohnen	220/3.2
D429,682	S	*	8/2000	Garland et al.	D12/315
D475,903	S	*	6/2003	Bryden	D8/10
D487,423	S	*	3/2004	Davidson et al.	D12/318
D515,009	S	*	2/2006	Stepp	D12/317
D616,162	S	*	5/2010	Park et al.	D32/6
D618,864	S	*	6/2010	Jeon et al.	D32/6
D631,624	S	*	1/2011	Chung et al.	D32/6
D633,262	S	*	2/2011	Jeon et al.	D32/6
D694,967	S	*	12/2013	Jeon et al.	D32/6
D706,999	S	*	6/2014	Cho et al.	D32/6
D708,800	S	*	7/2014	Choi et al.	D32/6
D714,502	S	*	9/2014	Jeon et al.	D32/25
D716,119	S	*	10/2014	Elston	D8/10

FOREIGN PATENT DOCUMENTS

WO	WO D074230-001	*	9/2010
WO	WO D074701-001	*	11/2010

OTHER PUBLICATIONS

NPL boat covers.com, wayback date Feb. 17, 2011, online, <http://web.archive.org/web/20110217230045/http://www.boatcovers.com.au/>, [site visited Mar. 16, 2015 12:46:54 PM].*

Carver Boat Covers, Bimini Tops, & RV Covers | CoverQuest, wayback date Mar. 26, 2012, online, <http://web.archive.org/web/20120326063256/http://www.coverquest.com/carver>, [site visited Mar. 16, 2015 12:44:48 PM].*

FBT X Lite 12A Speaker Cover, website copyright 2012, online, <http://www.djsupplies.co.uk/fbt-x-lite-12a-speaker-covers-1881-p.asp>, [site visited Mar. 16, 2015 1:35:12 PM].*

New Speaker Covers for DSR Series—Yamaha, wayback date Oct. 20, 2011, online, http://web.archive.org/web/20111020010152/http://europe.yamaha.com/en/news_events/professional_audio/dsrcover, [site visited Mar. 16, 2015 1:33:12 PM].*

Power Parachute | Canopies, Parachutes for Power Paragliding, website copyright 2012, online, <http://www.ppccanopies.com/go/index.php>, [site visited Mar. 16, 2015 1:16:07 PM].*

* cited by examiner

FIG. 1

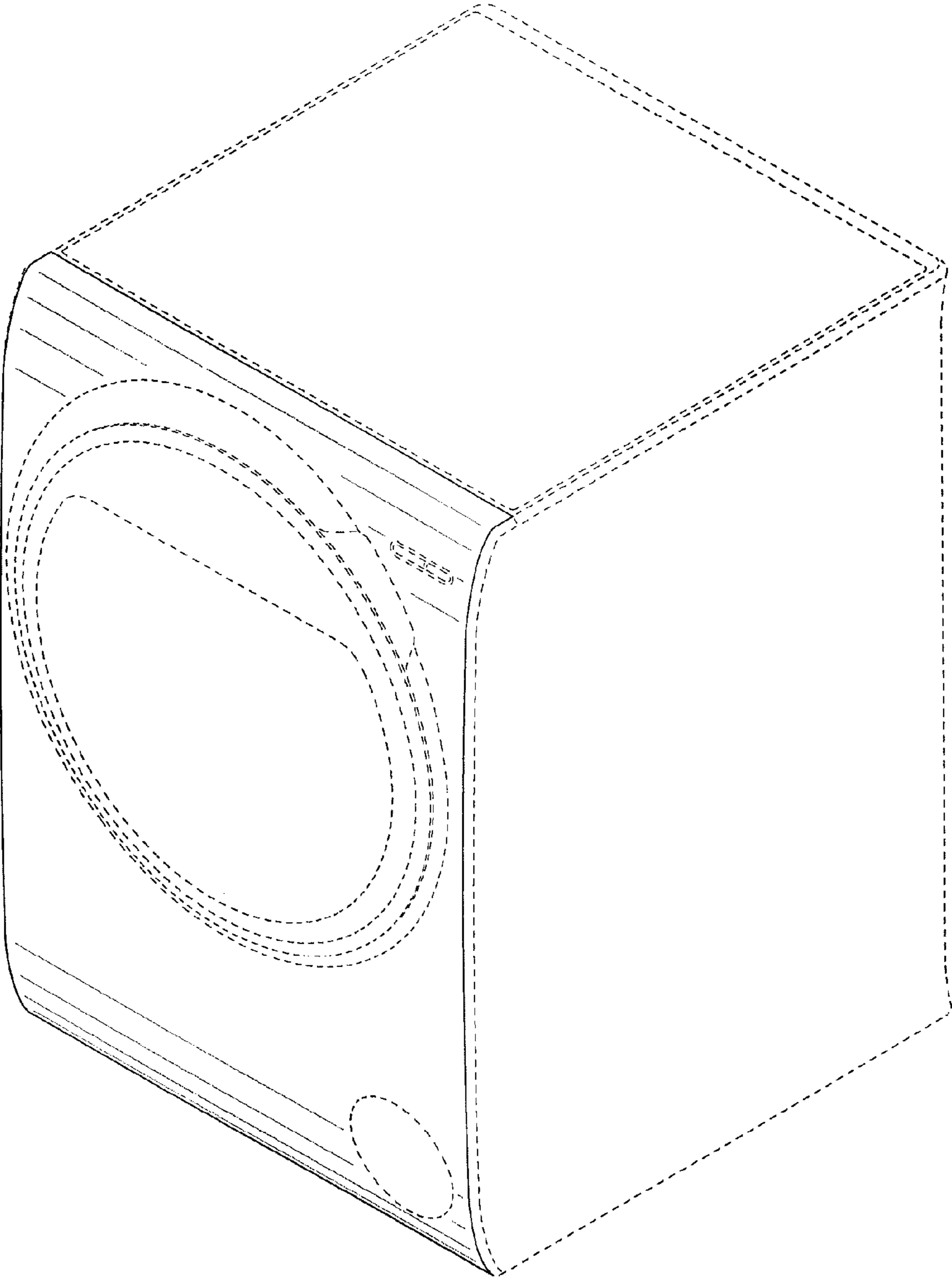


FIG. 2

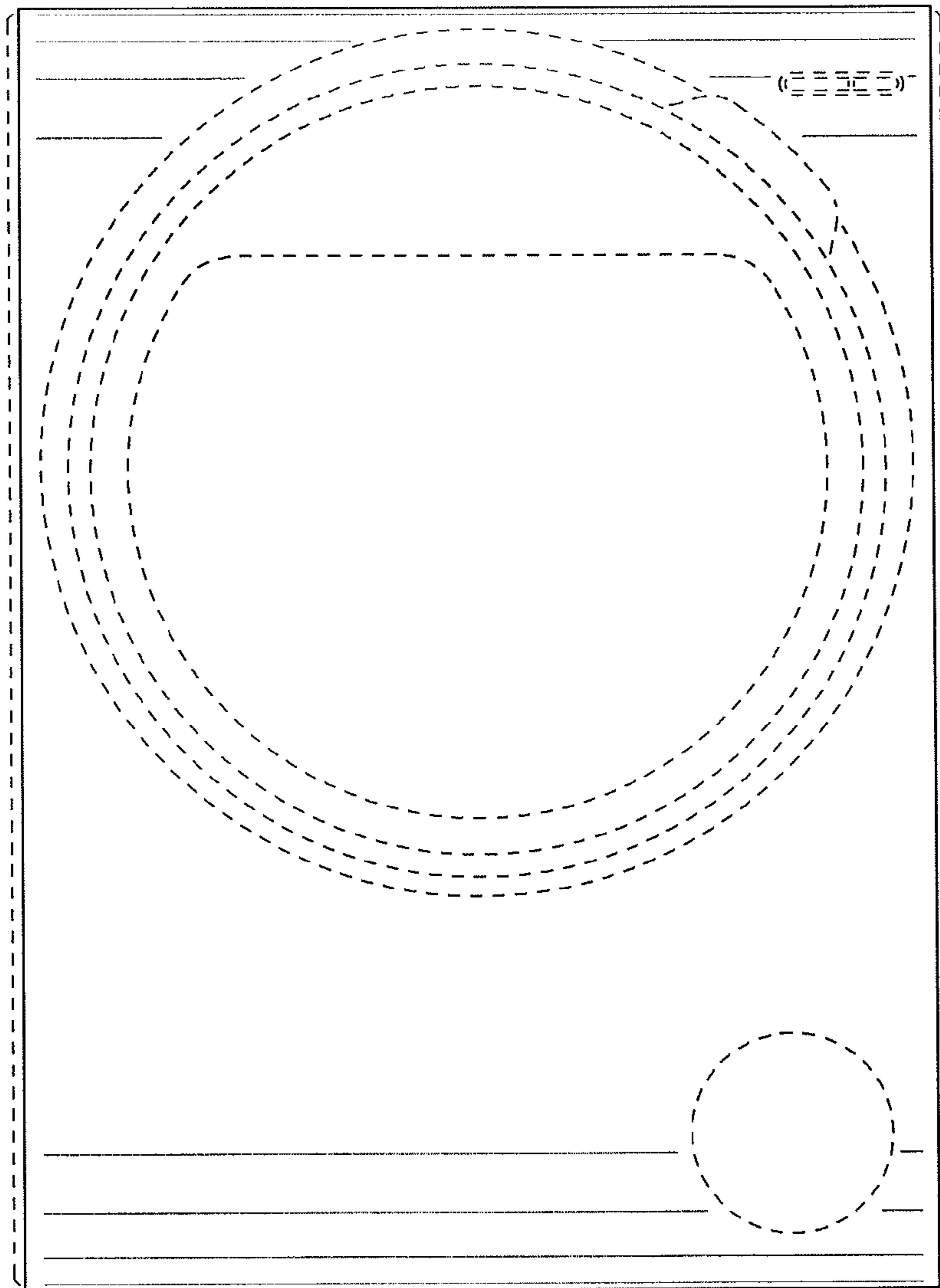


FIG. 3

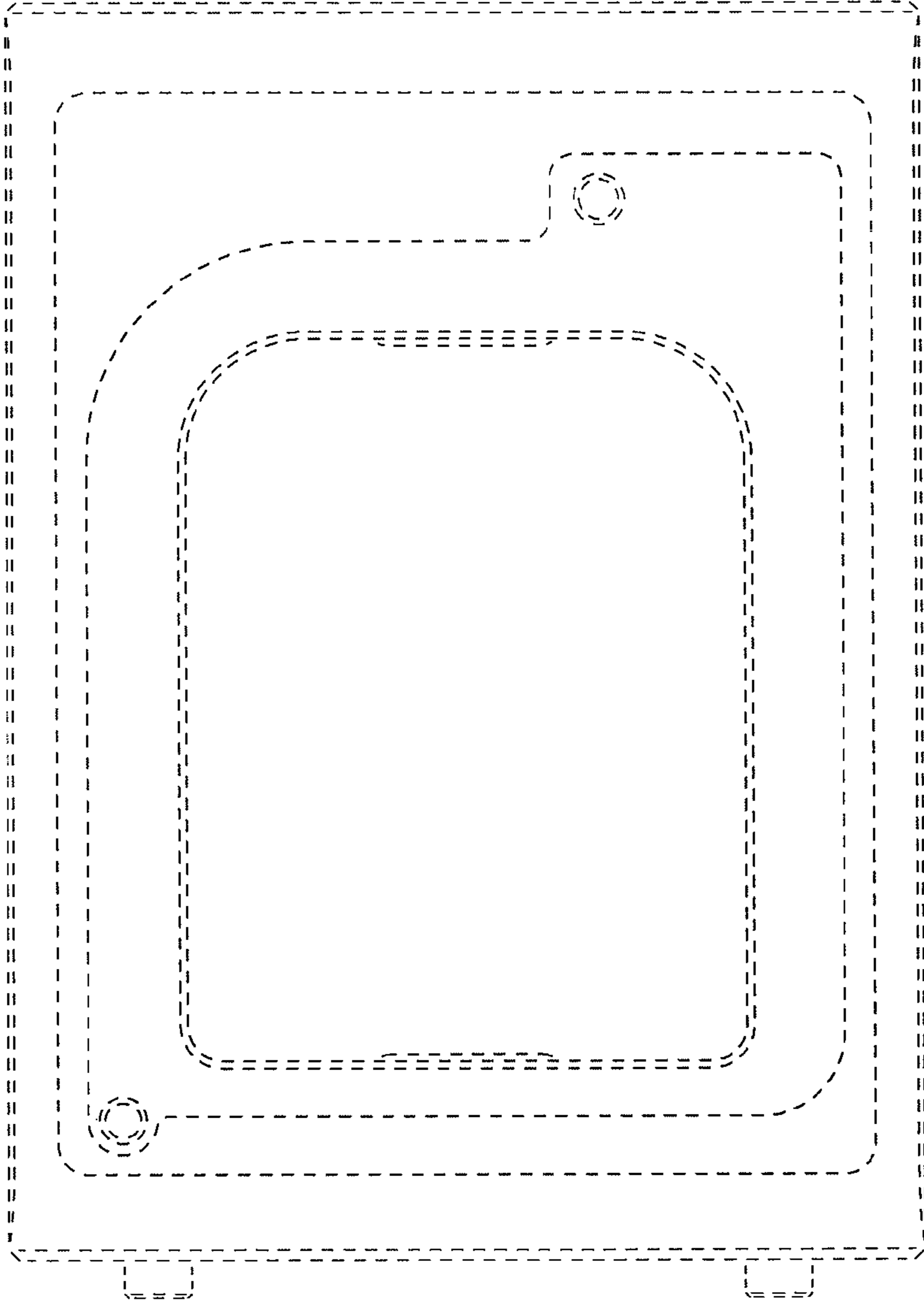


FIG. 4

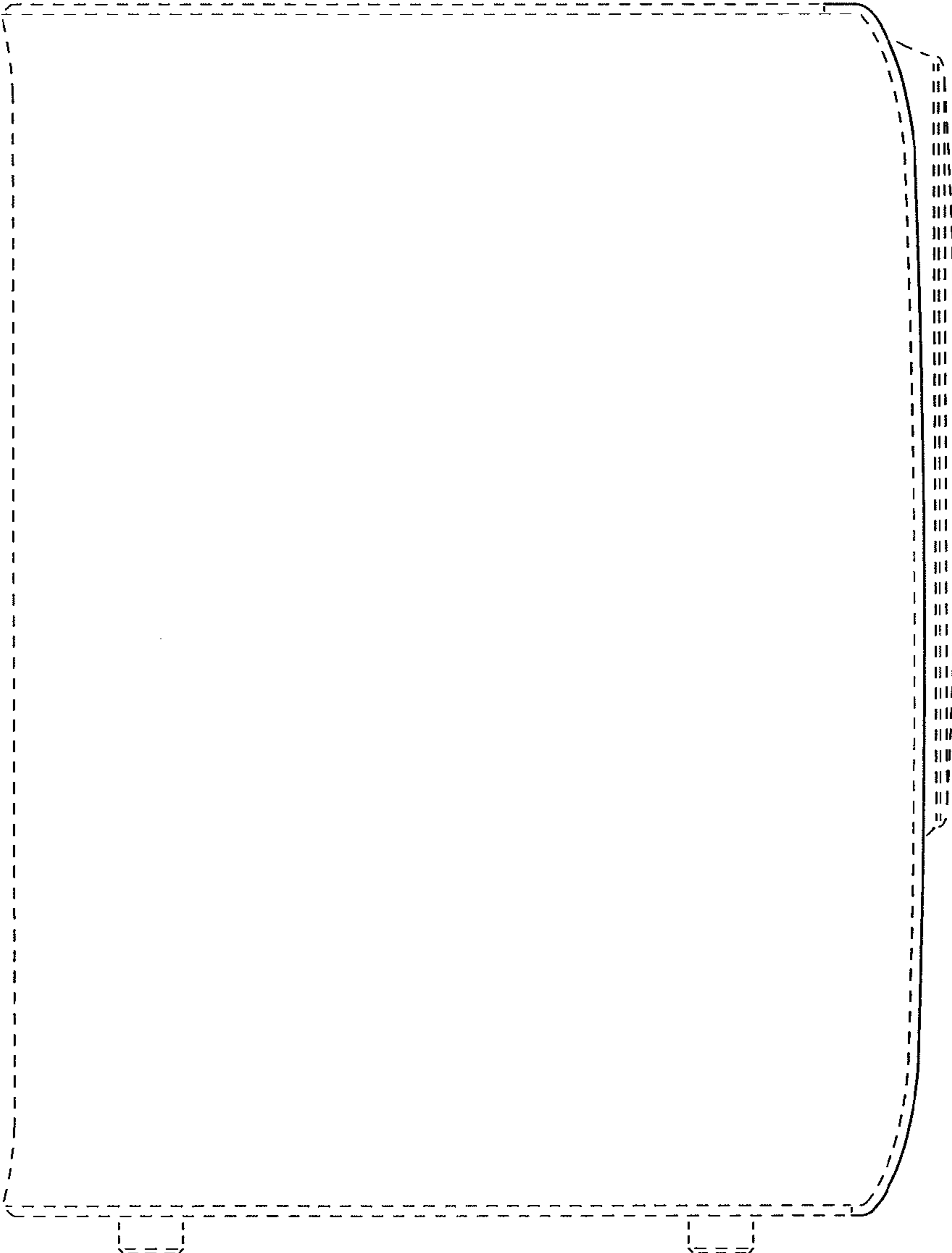


FIG. 5

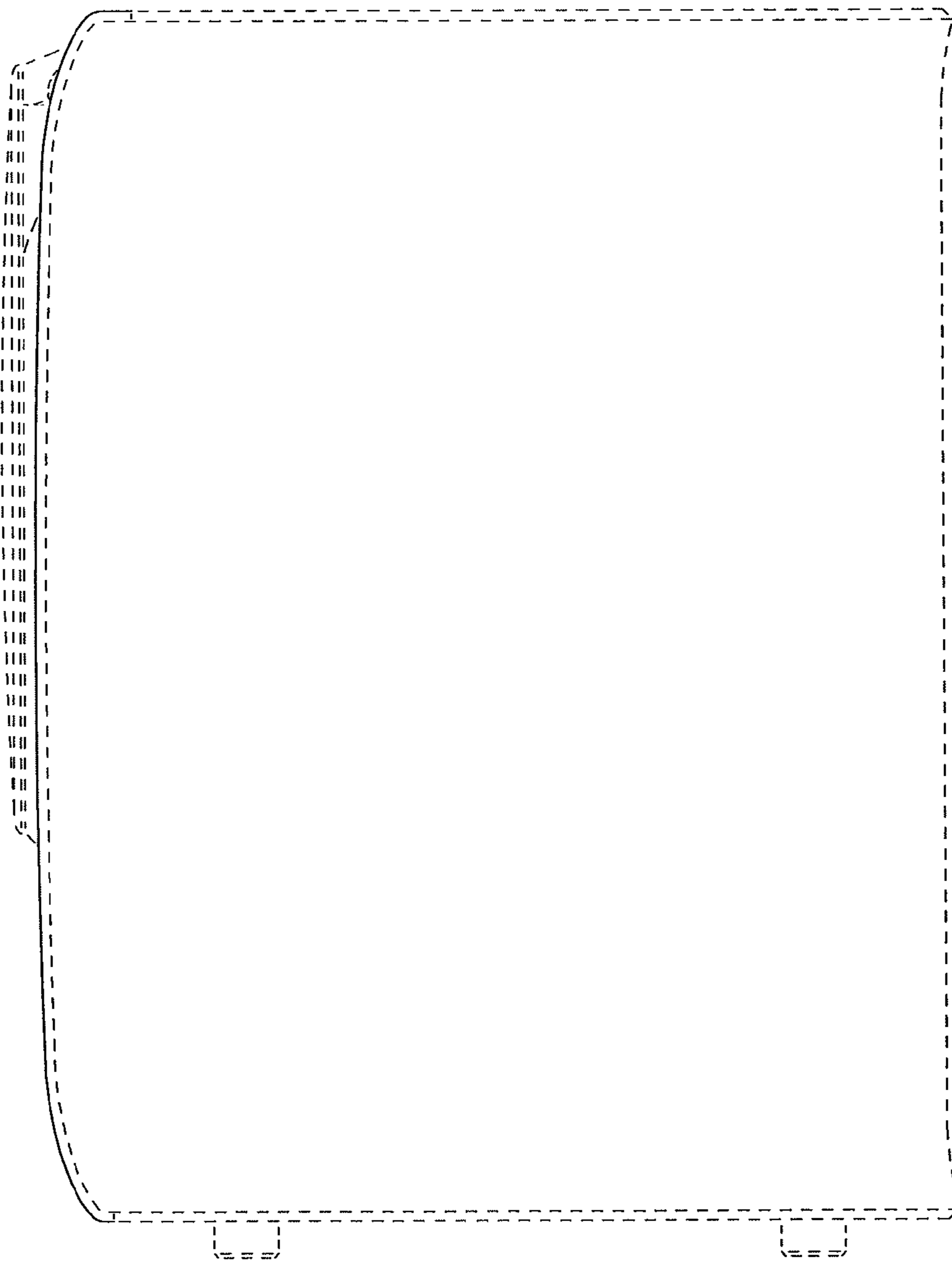


FIG. 6

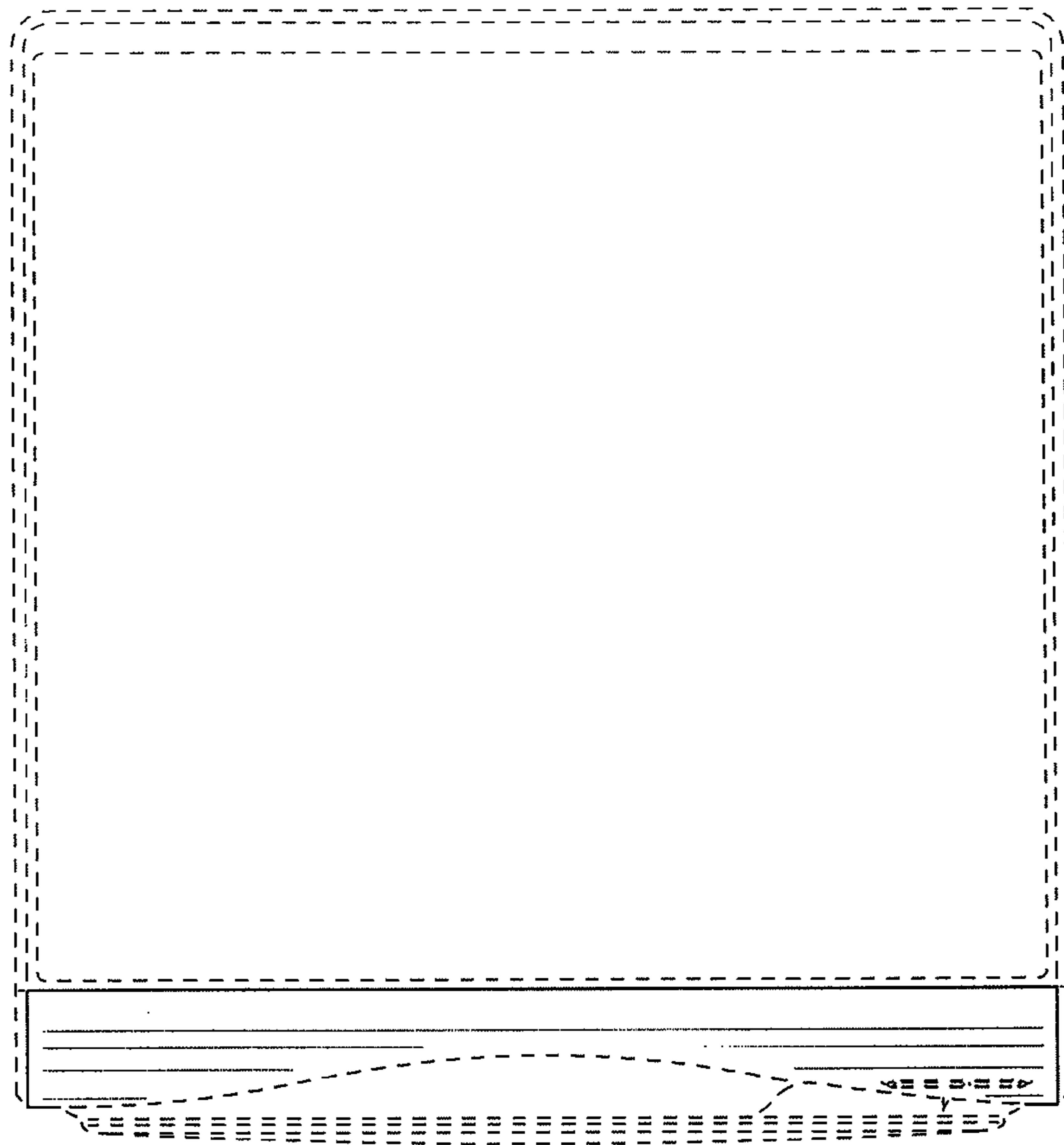
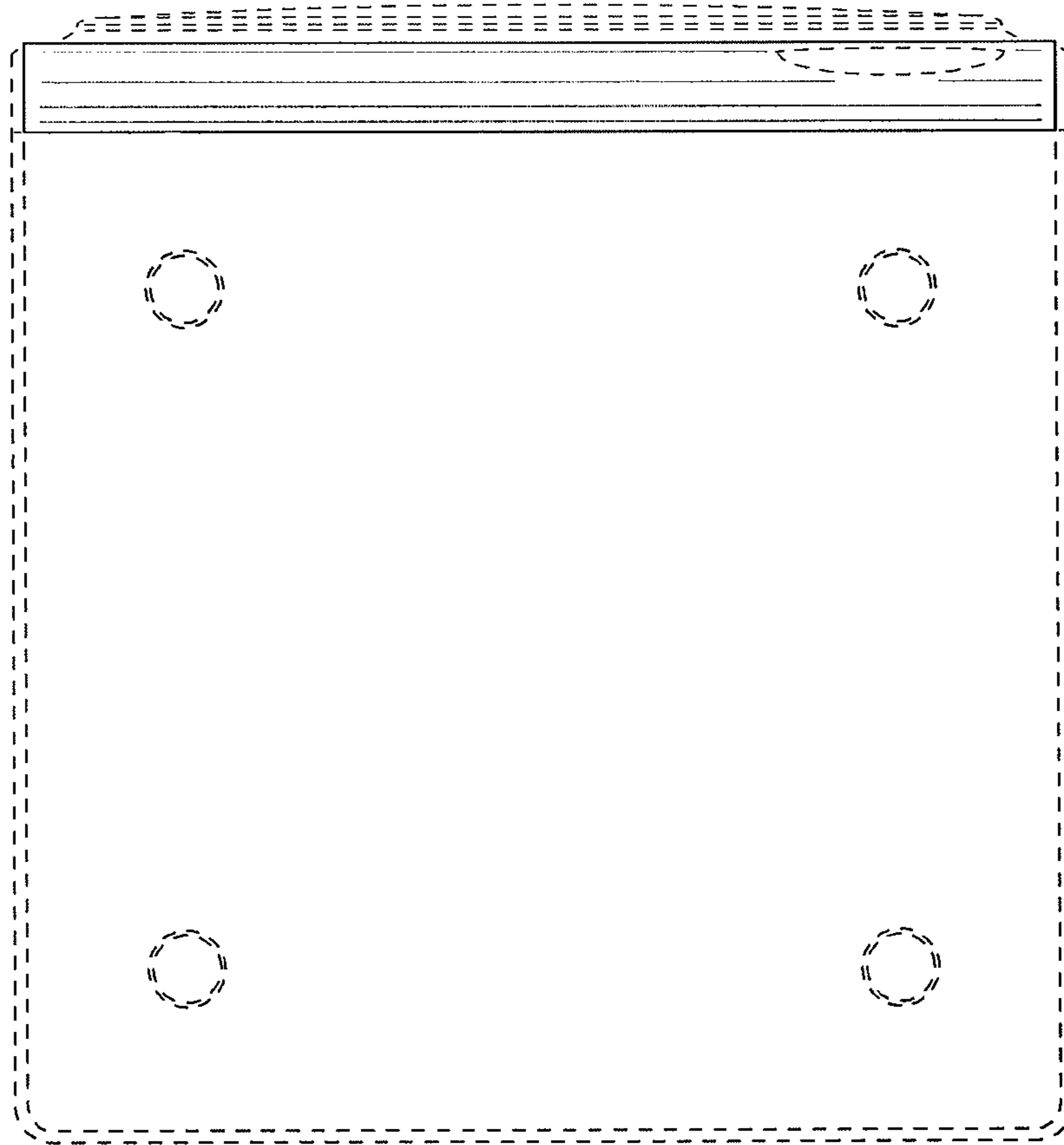


FIG. 7



UNITED STATES PATENT AND TRADEMARK OFFICE
CERTIFICATE OF CORRECTION

PATENT NO. : D747,836 S
APPLICATION NO. : 29/473339
DATED : January 19, 2016
INVENTOR(S) : Chul-Yong Cho et al.

Page 1 of 1

It is certified that error appears in the above-identified patent and that said Letters Patent is hereby corrected as shown below:

TITLE PAGE

Insert --(30) Foreign Application Priority Data
Jul. 5, 2012 (KR).....30-2012-0032841--

Signed and Sealed this
Twenty-ninth Day of November, 2016



Michelle K. Lee
Director of the United States Patent and Trademark Office