



US00D747835S

(12) **United States Design Patent**
Barnard et al.

(10) **Patent No.:** **US D747,835 S**

(45) **Date of Patent:** **** Jan. 19, 2016**

(54) **COSMETIC BRUSH CLEANING DEVICE**

(71) Applicants: **Brian Barnard**, Sandy, UT (US);
Katharine Barnard, Sandy, UT (US)

(72) Inventors: **Brian Barnard**, Sandy, UT (US);
Katharine Barnard, Sandy, UT (US)

(**) Term: **14 Years**

(21) Appl. No.: **29/504,760**

(22) Filed: **Oct. 9, 2014**

(51) **LOC (10) Cl.** **15-05**

(52) **U.S. Cl.**
USPC **D32/1**

(58) **Field of Classification Search**
USPC D32/1, 15, 21, 23, 25, 31, 33
CPC B44D 3/006; A61Q 1/10
See application file for complete search history.

(56) **References Cited**

U.S. PATENT DOCUMENTS

1,542,025	A *	6/1925	Ballman	A46B 17/06 15/38
2,082,991	A *	6/1937	Turco	A45D 24/46 15/39
2,354,898	A	12/1942	Wiksten		
3,946,877	A	3/1976	Galicia		
4,403,364	A *	9/1983	Schroeder	A46B 17/06 15/38
4,759,384	A	7/1988	Kliwer		
4,806,770	A	2/1989	Hylton et al.		
4,823,424	A	4/1989	Thatscher		
4,912,797	A	4/1990	Brackett		
5,213,121	A	5/1993	O'Brien et al.		
5,701,626	A	12/1997	Zara		
D406,416	S *	3/1999	Chan	D32/1
D458,720	S *	6/2002	Brackett	D32/35

D459,036	S *	6/2002	Bredo	D32/1
D477,442	S *	7/2003	Christianson	D32/1
D516,257	S *	2/2006	Brackett	D32/1
7,086,112	B2	8/2006	Smith et al.		
7,213,603	B2	5/2007	Pinsky		
7,296,319	B2	11/2007	Brackett et al.		
7,513,006	B2	4/2009	Brackett et al.		
D593,262	S *	5/2009	Gong	D24/217
7,594,291	B1	9/2009	Carmen		
8,185,994	B2	5/2012	Brackett et al.		
2004/0181887	A1 *	9/2004	Smith	B44D 3/006 15/38
2014/0096801	A1	4/2014	McCormick et al.		

* cited by examiner

Primary Examiner — T. Chase Nelson

Assistant Examiner — Michelle E Wilson

(74) *Attorney, Agent, or Firm* — Jones Waldo Holbrook & McDonough, PC; Brent T. Winder

(57) **CLAIM**

The ornamental design for a cosmetic brush cleaning device, as shown and described.

DESCRIPTION

FIG. 1 is a top perspective view of the presently claimed design.

FIG. 2 is a top view of the presently claimed design.

FIG. 3 is a bottom view of the presently claimed design.

FIG. 4 is a side view of the presently claimed design.

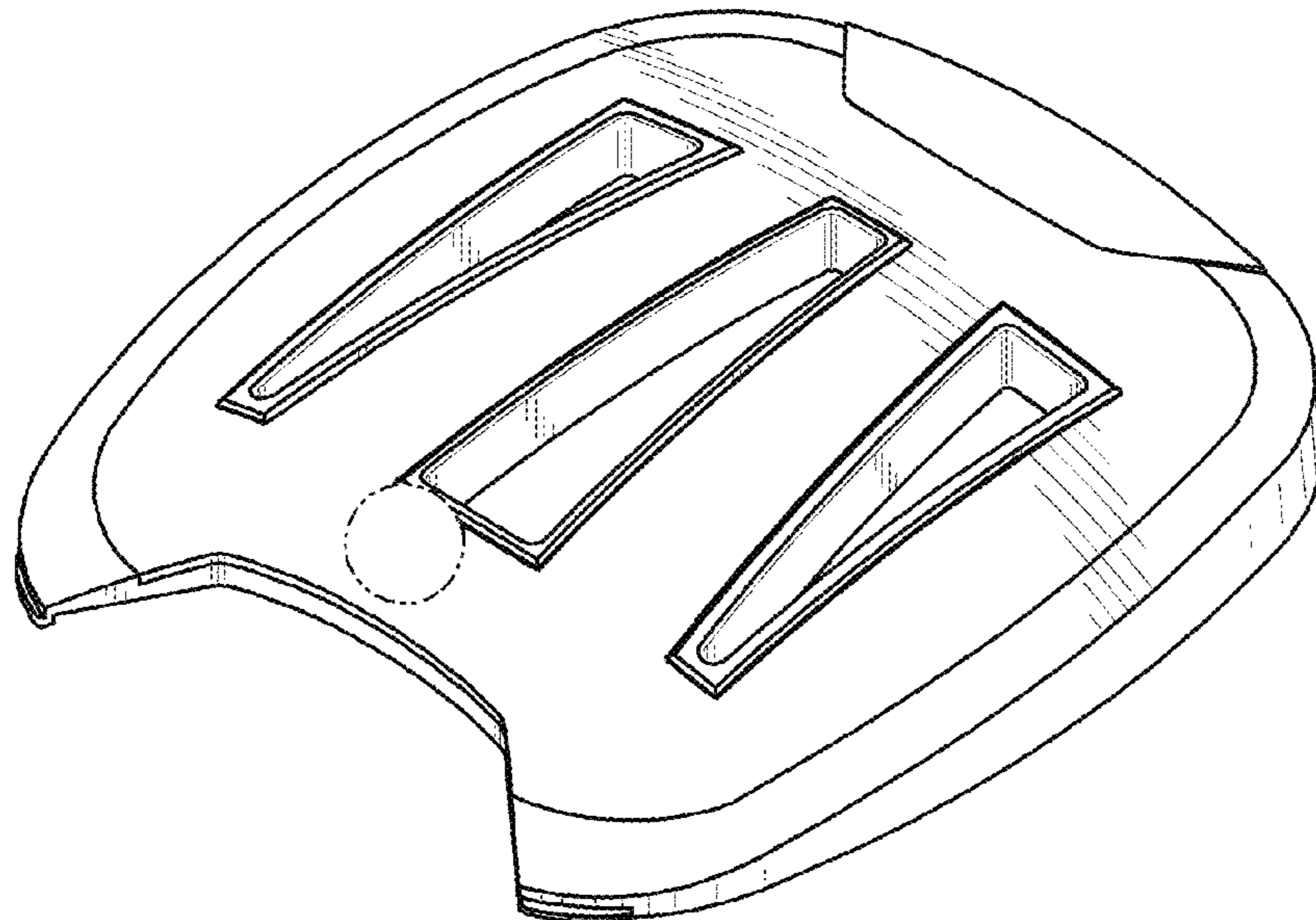
FIG. 5 is an opposite side view of the presently claimed design.

FIG. 6 is a front view of the presently claimed design; and,

FIG. 7 is a rear view of the presently claimed design.

The broken lines are included for the purpose of illustrating environmental portions of the cosmetic brush cleaning device that form no part of the claimed design.

1 Claim, 3 Drawing Sheets



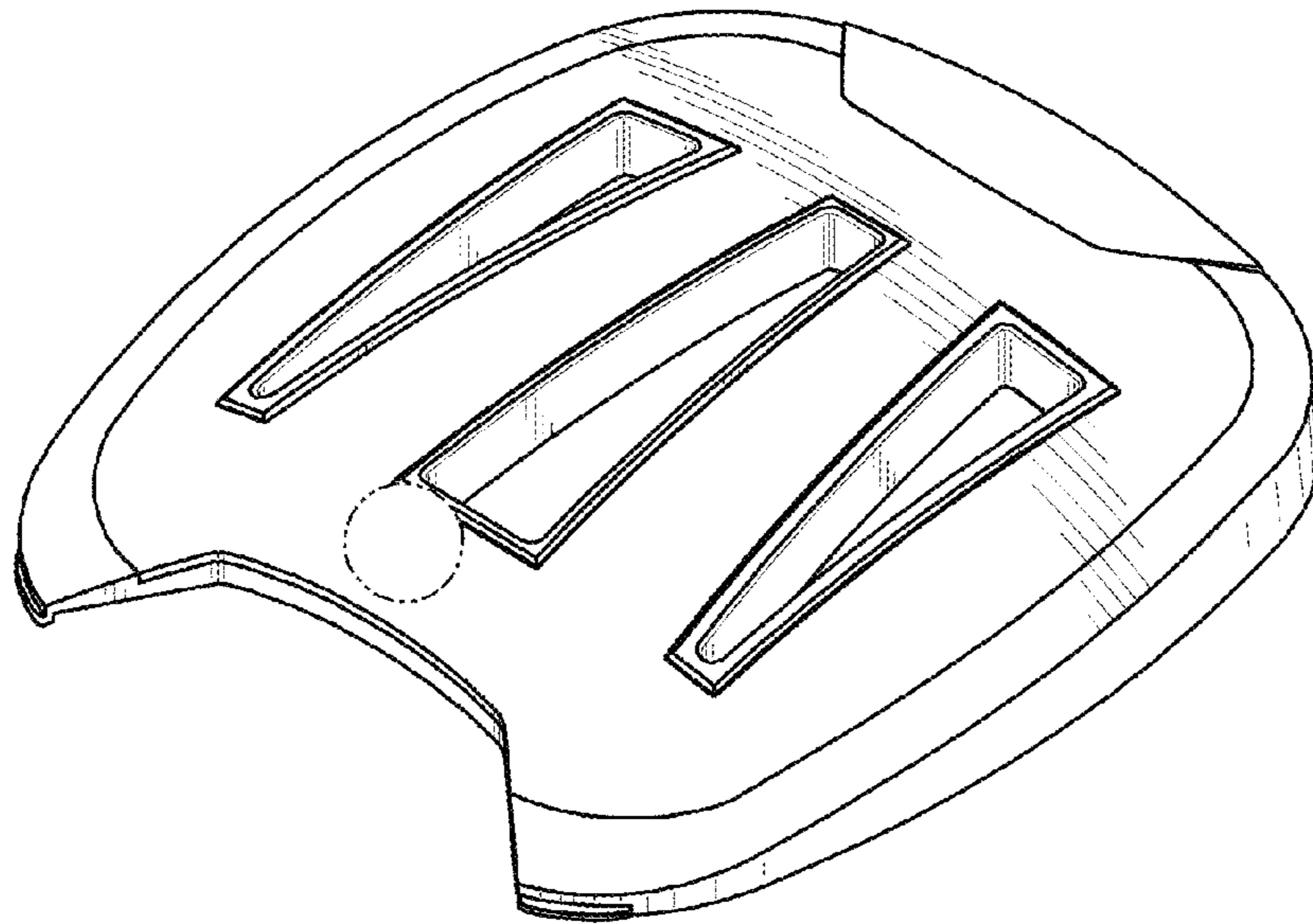


FIG. 1

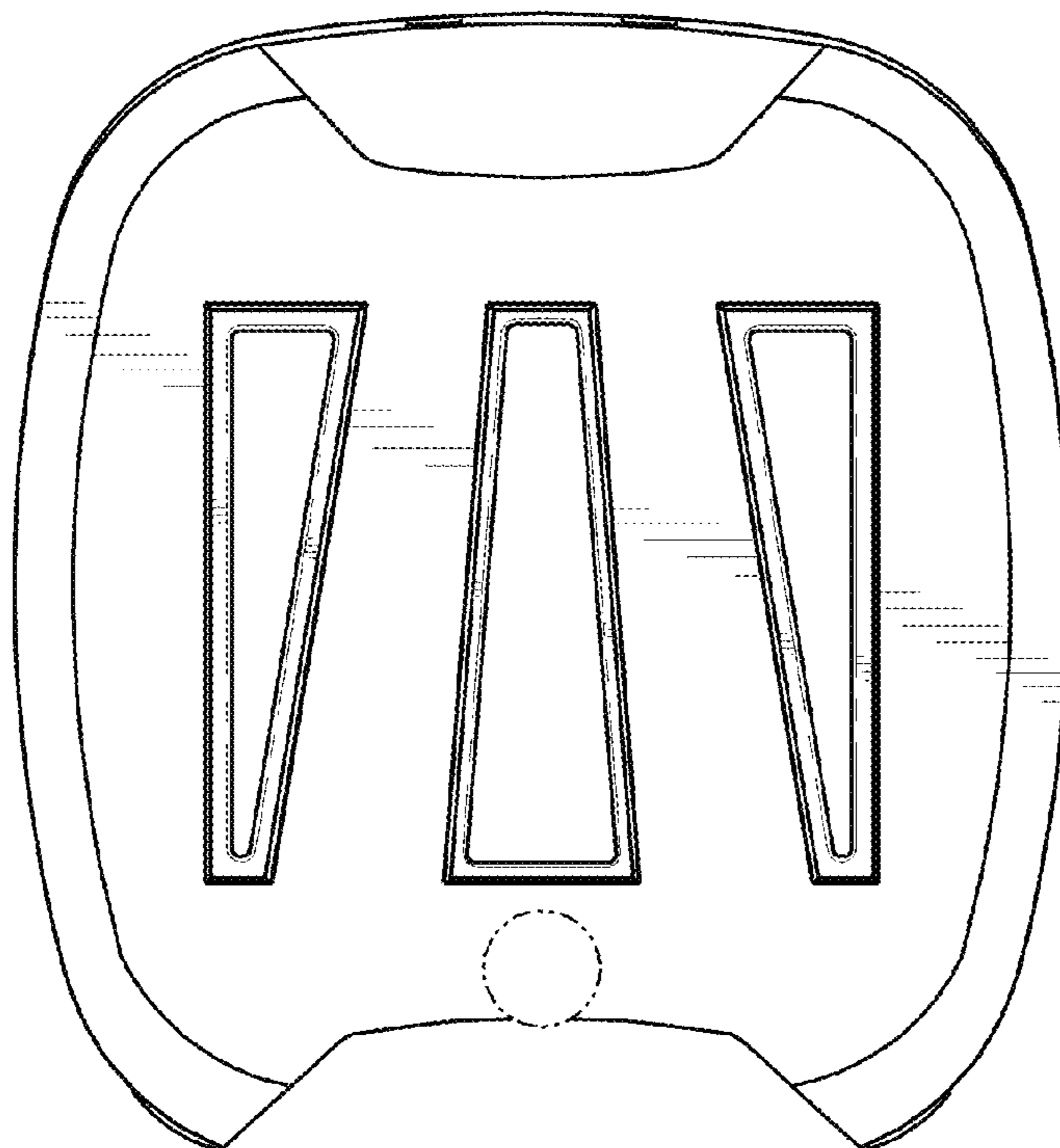


FIG. 2

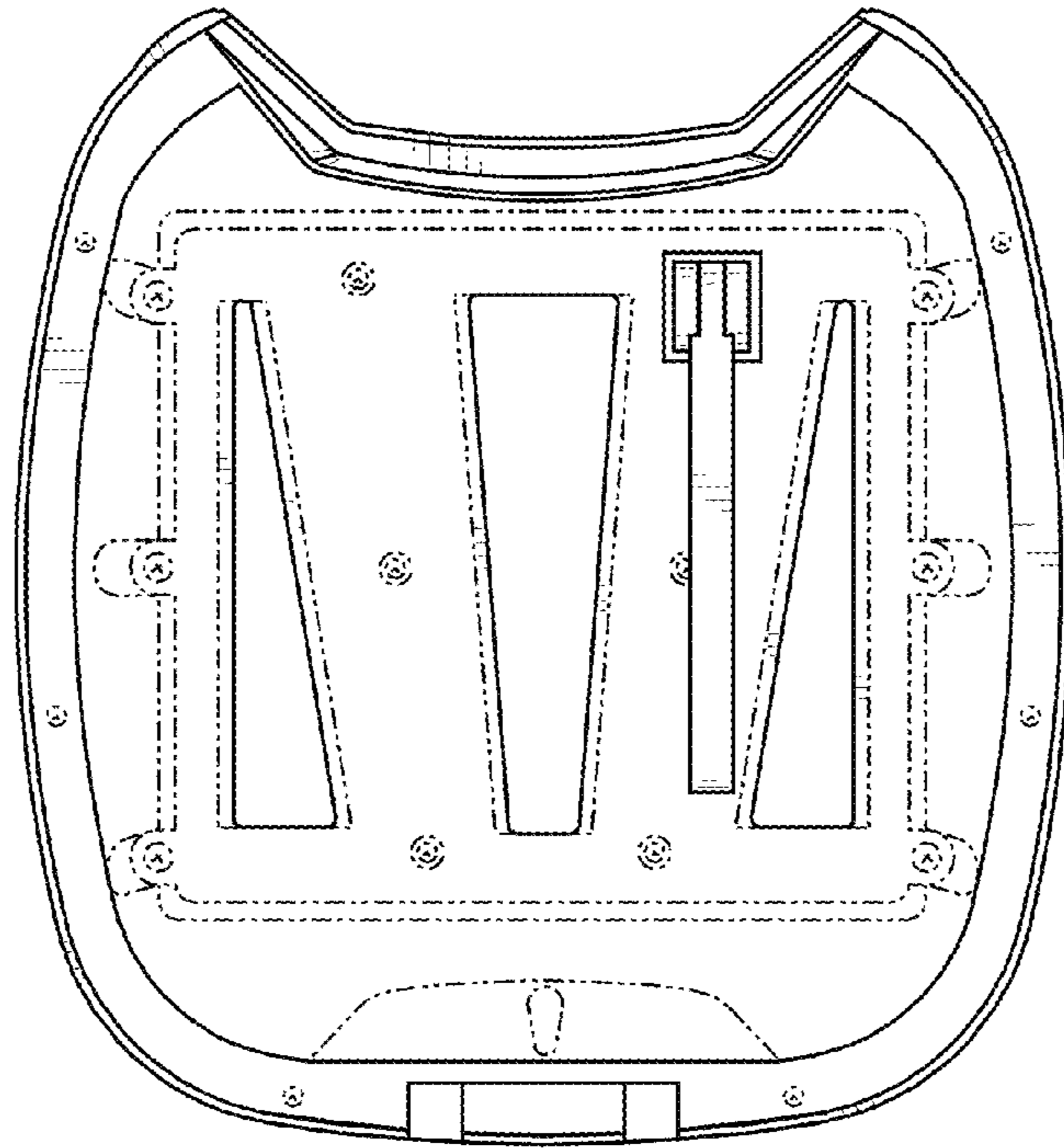


FIG. 3

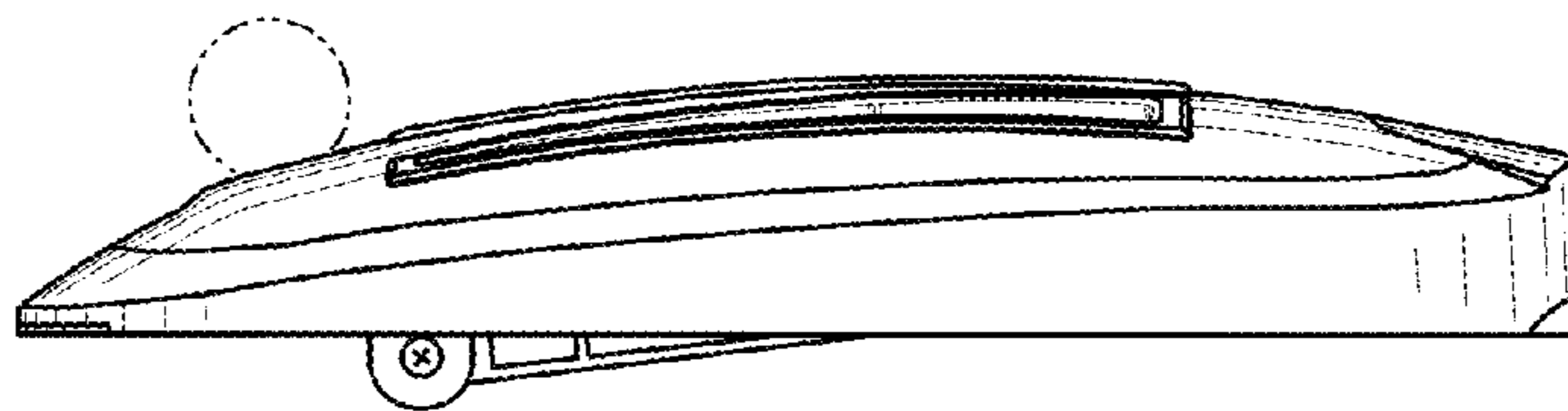


FIG. 4



FIG. 5

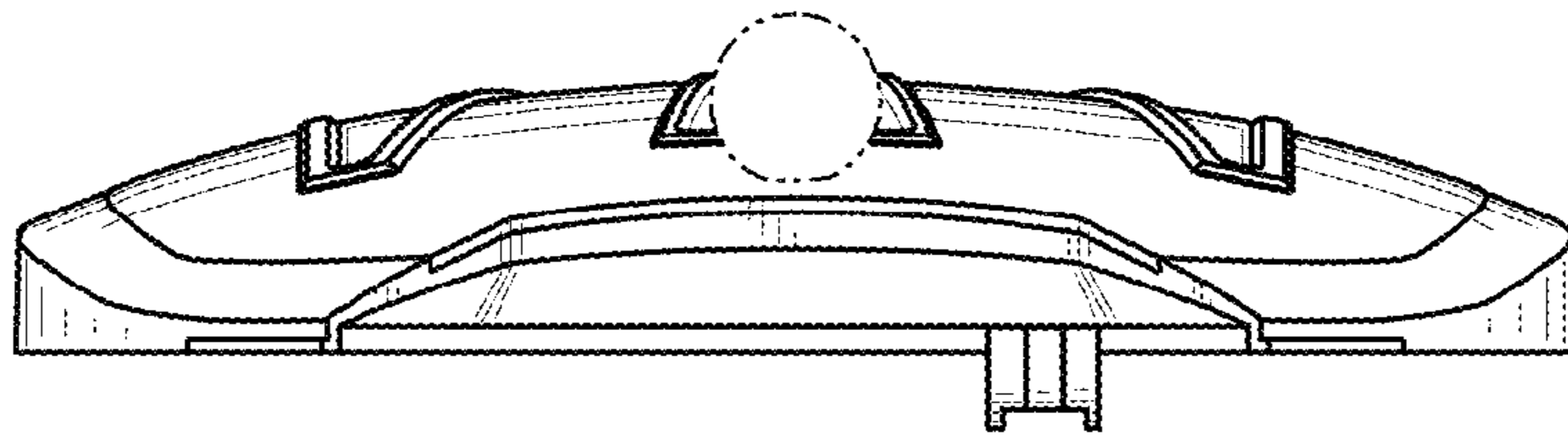


FIG. 6

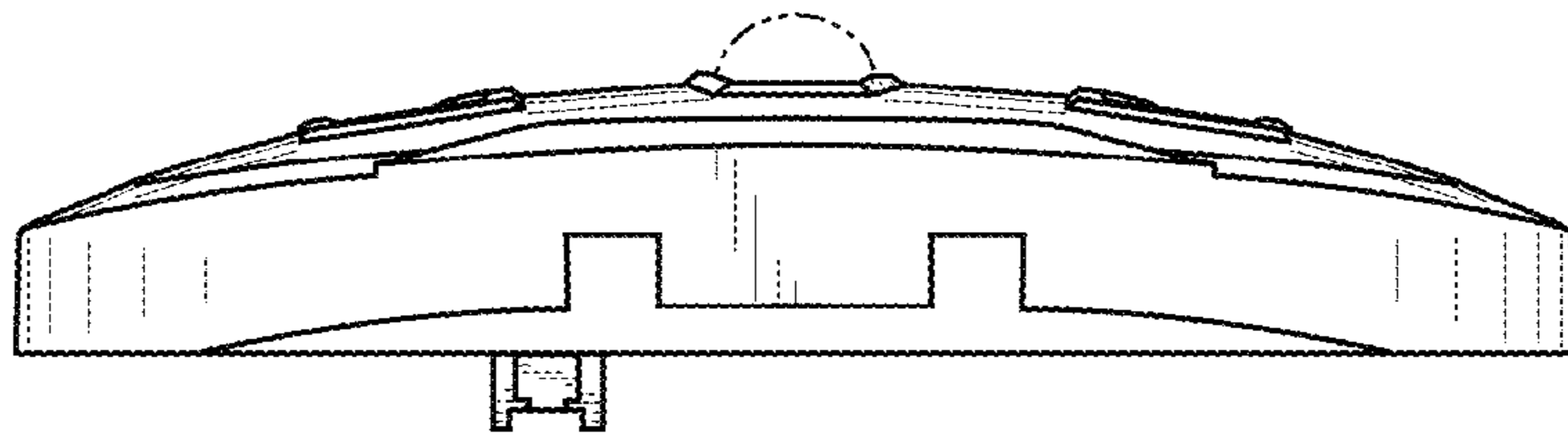


FIG. 7