



US00D747827S

(12) **United States Design Patent**
Taha

(10) **Patent No.:** **US D747,827 S**
(45) **Date of Patent:** **** Jan. 19, 2016**

- (54) **PERSONAL VAPORIZER**
- (71) Applicant: **Medipath, Inc.**, Newport Beach, CA (US)
- (72) Inventor: **Ashraf Taha**, Costa Mesa, CA (US)
- (**) Term: **14 Years**
- (21) Appl. No.: **29/499,492**
- (22) Filed: **Aug. 15, 2014**
- (51) **LOC (10) Cl.** **27-02**
- (52) **U.S. Cl.**
USPC **D27/165; D27/163**
- (58) **Field of Classification Search**
USPC D27/101, 148, 163, 165, 171; D19/137;
D9/600; D28/85, 88, 89, 4, 7
CPC A24F 3/00; A24F 47/002; A24F 47/004;
A24F 47/006; A24F 47/008; A61M 15/06;
A45D 40/02; A45D 40/06; A45D 40/04
See application file for complete search history.

D448,121 S *	9/2001	Gebb	D28/88
6,375,375 B1 *	4/2002	Gebba	A45D 40/06 401/192
D458,707 S *	6/2002	Najar	D27/165
D466,252 S *	11/2002	Yu	D28/88
D519,740 S *	5/2006	Green	D3/206
D541,990 S *	5/2007	Hsu	D28/89
D558,926 S *	1/2008	Breidenbach	D28/88
D583,998 S *	12/2008	Tani	D28/88
D617,052 S *	6/2010	Pires	D28/89
D632,017 S *	2/2011	Lee	D28/89
D666,733 S *	9/2012	Caggiano	D24/215
D725,821 S *	3/2015	Levin	D27/101
D725,822 S *	3/2015	Liu	D27/101
2013/0223914 A1 *	8/2013	Duru	A45D 34/00 401/2
2013/0230347 A1 *	9/2013	Kim	A45D 40/04 401/68

* cited by examiner

Primary Examiner — Susan Bennett Hattan
Assistant Examiner — Janice Hallmark
(74) *Attorney, Agent, or Firm* — Sheppard Mullin Richter & Hampton LLP

(56) **References Cited**
U.S. PATENT DOCUMENTS

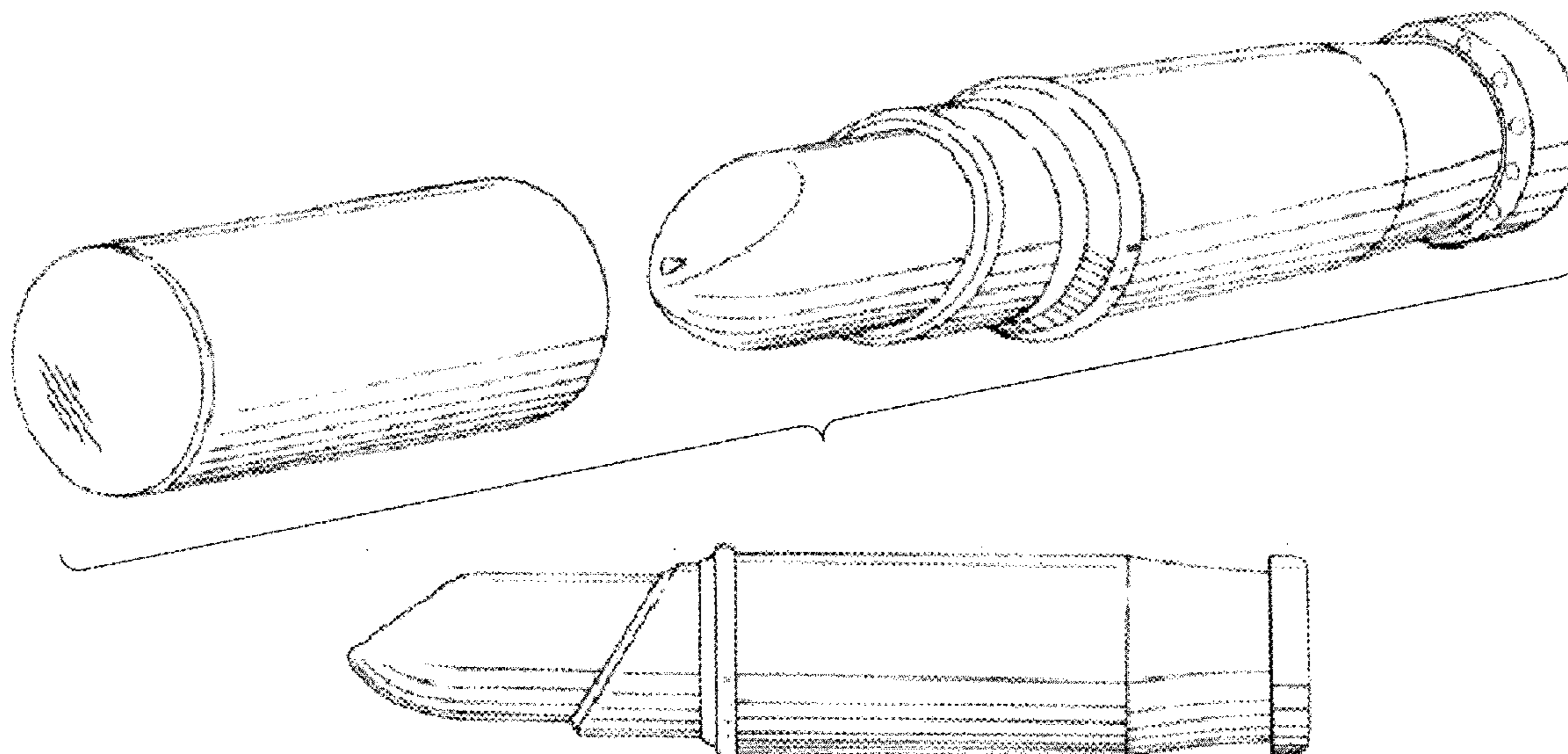
2,595,403 A *	5/1952	Neuschaefer	A45D 40/06 206/385
2,612,990 A *	10/1952	Braselton	A45D 40/04 401/75
2,785,796 A *	3/1957	Gelardin	A45D 40/10 401/53
3,192,933 A *	7/1965	Prince	A45D 40/00 132/320
3,308,939 A *	3/1967	Sakalys	A45D 40/06 401/78
D254,151 S *	2/1980	Wolff	D27/142
D364,006 S *	11/1995	Kamen	D28/88
D364,486 S *	11/1995	Tsai	D28/88
D365,176 S *	12/1995	Heinrich	D26/38

(57) **CLAIM**
I claim the ornamental design for a personal vaporizer, as shown and described.

DESCRIPTION

FIG. 1 is an exploded perspective view of a personal vaporizer showing my new design with the cap portion separated from the base for clarity of disclosure;
FIG. 2 is a side elevational view of the base portion of the personal vaporizer;
FIG. 3 is a top plan view of the base portion of the personal vaporizer; and,
FIG. 4 is a bottom plan view of the personal vaporizer.

1 Claim, 1 Drawing Sheet



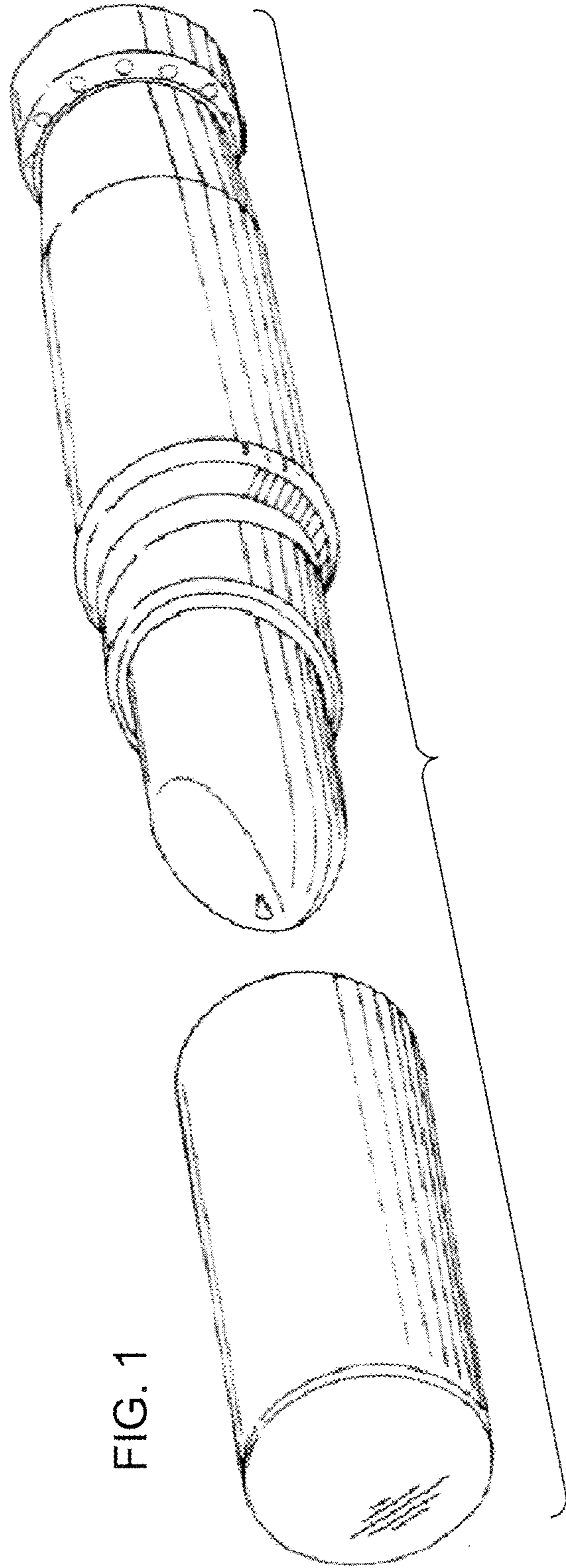


FIG. 1

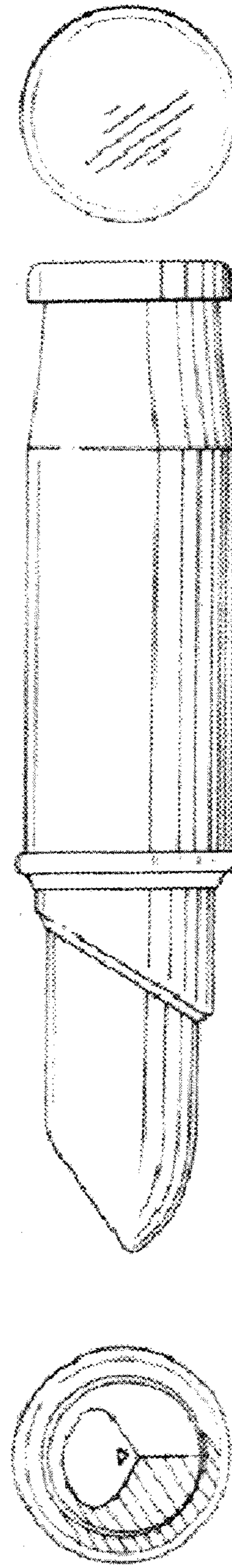


FIG. 2



FIG. 3

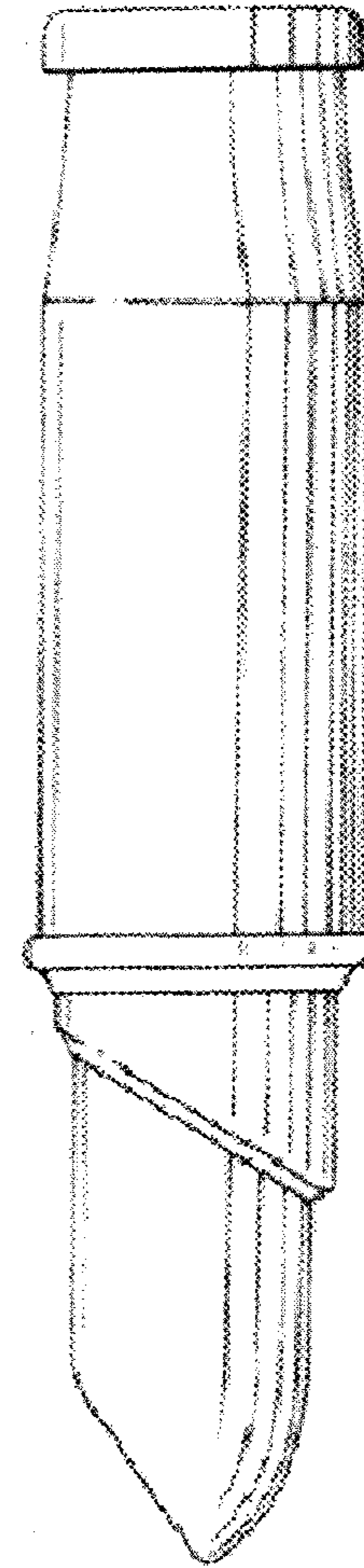


FIG. 4