



US00D747826S

(12) **United States Design Patent**
Ladnier

(10) **Patent No.:** **US D747,826 S**
(45) **Date of Patent:** **** Jan. 19, 2016**

(54) **LUMINAIRE TRAY**

DESCRIPTION

- (71) Applicant: **DELTA T CORPORATION**,
Lexington, KY (US)
- (72) Inventor: **David Ladnier**, Versailles, KY (US)
- (73) Assignee: **DELTA T CORPORATION**,
Lexington, KY (US)
- (**) Term: **14 Years**
- (21) Appl. No.: **29/509,366**
- (22) Filed: **Nov. 17, 2014**
- (51) **LOC (10) Cl.** **26-99**
- (52) **U.S. Cl.**
USPC **D26/138**
- (58) **Field of Classification Search**
USPC D26/3, 24, 35, 39, 42, 71, 72, 75, 76,
D26/78, 79, 80, 81, 82, 83, 85, 88, 90, 118,
D26/119, 120, 121, 122, 138
CPC F21S 4/00; F21S 4/003; F21S 4/006;
F21S 4/007; F21S 4/008; F21S 6/004; F21S
6/005; F21K 9/54; F21V 15/01; F21V 15/013
See application file for complete search history.

(56) **References Cited**

U.S. PATENT DOCUMENTS

D123,887 S	*	12/1940	Koehler	D26/75
D581,079 S	*	11/2008	Mier-Langner	D26/76
D647,246 S	*	10/2011	Chadwick	D26/138
D653,793 S	*	2/2012	Marquardt	D26/80
D670,422 S	*	11/2012	Siekmann	D26/76
D695,440 S	*	12/2013	Kim	D26/72

(Continued)

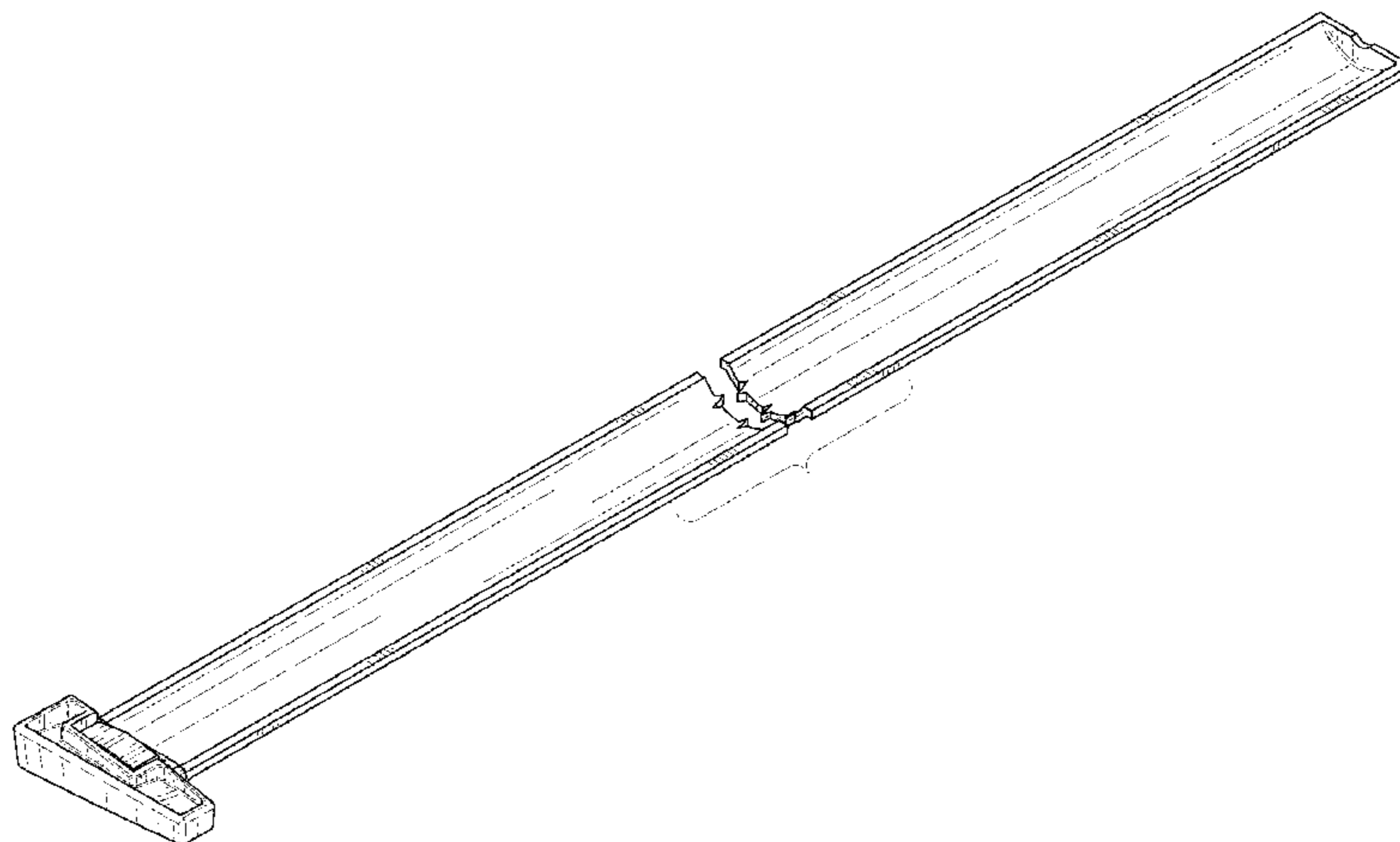
Primary Examiner — George D Kirschbaum
Assistant Examiner — Natasha Vujcic
(74) *Attorney, Agent, or Firm* — King & Schickli, PLLC

(57) **CLAIM**

I claim, the ornamental design for a luminaire tray, as shown and described.

FIG. 1 is a top perspective view of a first embodiment of the luminaire tray;
 FIG. 2 is a bottom perspective view of the first embodiment of the luminaire tray;
 FIG. 3 is a left side view of the first embodiment of the luminaire tray;
 FIG. 4 is a right side view of the first embodiment of the luminaire tray;
 FIG. 5 is a front view of the first embodiment of the luminaire tray;
 FIG. 6 is a rear side view of the first embodiment of the luminaire tray;
 FIG. 7 is a top view of the first embodiment of the luminaire tray;
 FIG. 8 is a bottom view of the first embodiment of the luminaire tray;
 FIG. 9 is a top perspective view of a second embodiment of the luminaire tray;
 FIG. 10 is a bottom perspective view of the second embodiment of the luminaire tray;
 FIG. 11 is a left side view of the second embodiment of the luminaire tray;
 FIG. 12 is a right side view of the second embodiment of the luminaire tray;
 FIG. 13 is a front view of the second embodiment of the luminaire tray;
 FIG. 14 is a rear side view of the second embodiment of the luminaire tray;
 FIG. 15 is a top view of the second embodiment of the luminaire tray; and,
 FIG. 16 is a bottom view of the second embodiment of the luminaire tray.
 The break lines in the drawings indicate that the appearance of any portion of the luminaire tray between the break lines forms no part of the claimed design.

1 Claim, 4 Drawing Sheets



(56)

References Cited

2012/0250309 A1* 10/2012 Handsaker F21V 5/04
362/235

U.S. PATENT DOCUMENTS

2006/0033000 A1* 2/2006 Seo E04B 9/006
248/343

* cited by examiner

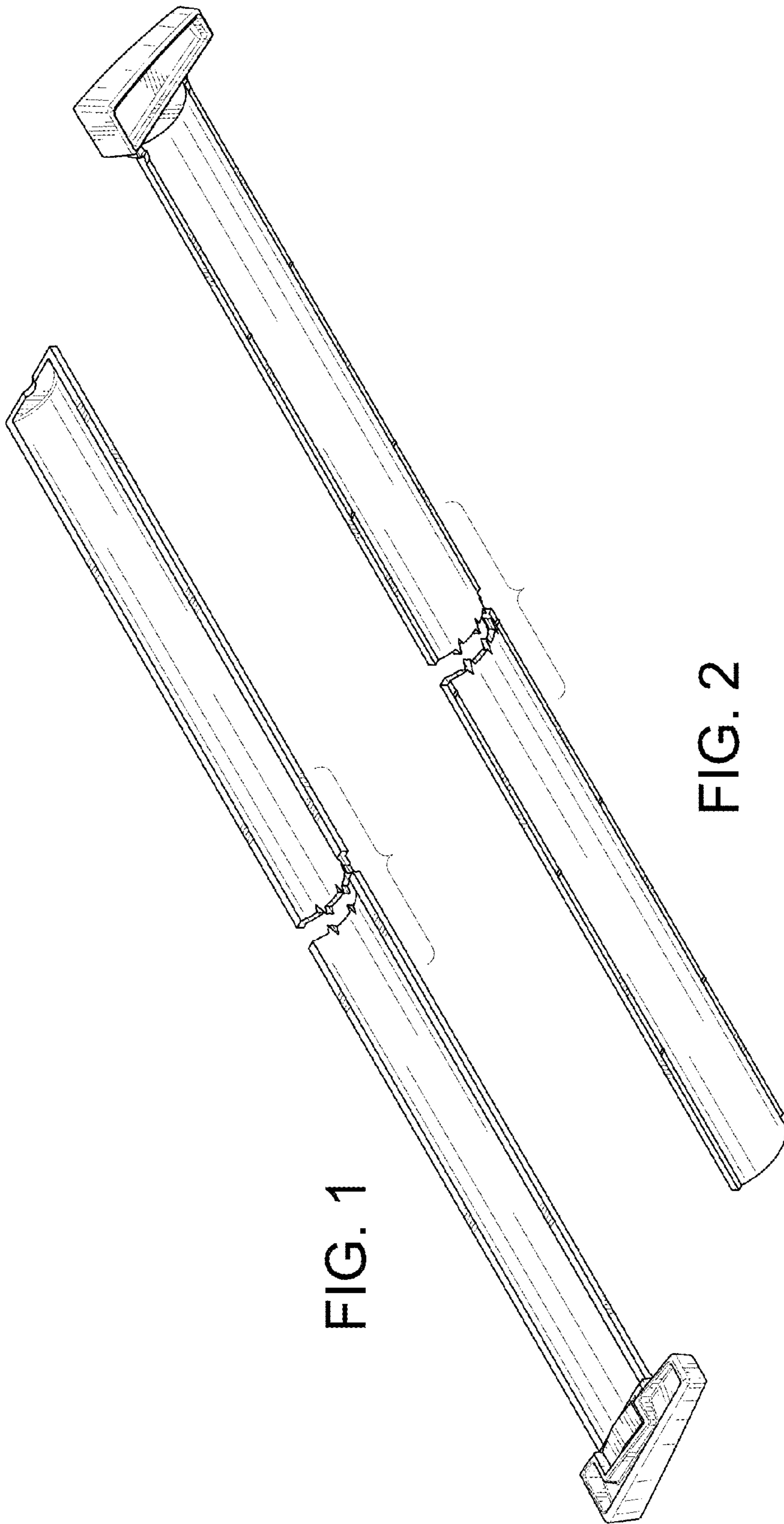


FIG. 1

FIG. 2



FIG. 3

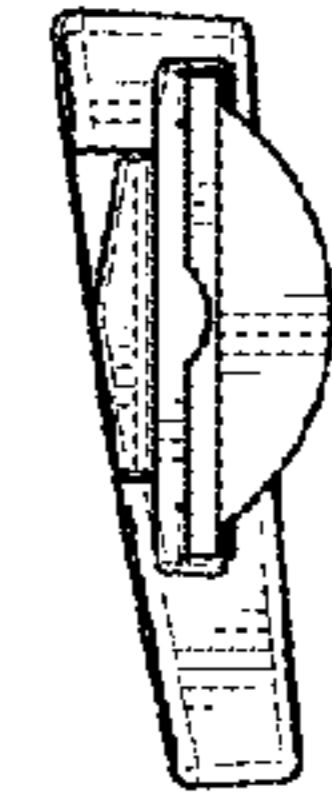


FIG. 4

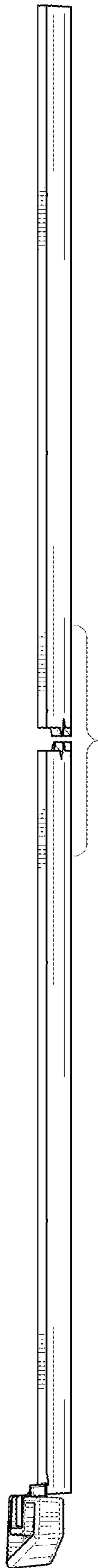


FIG. 5

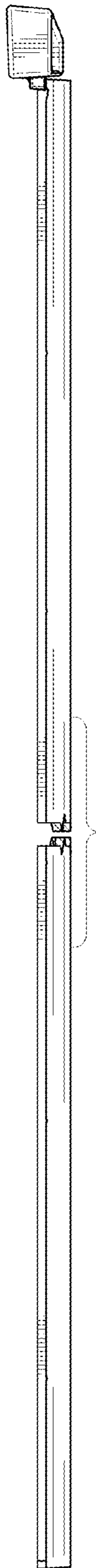


FIG. 6

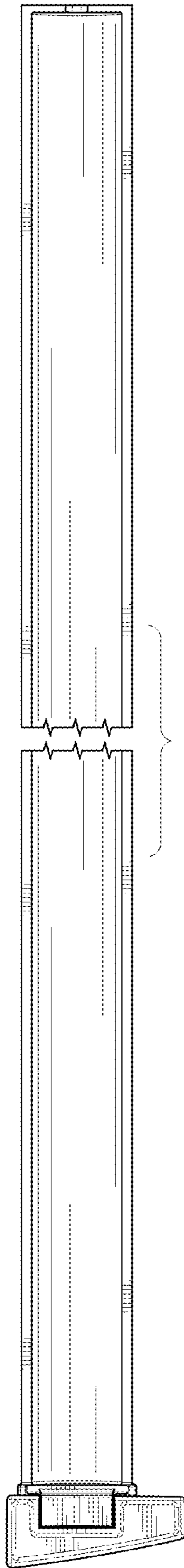


FIG. 7

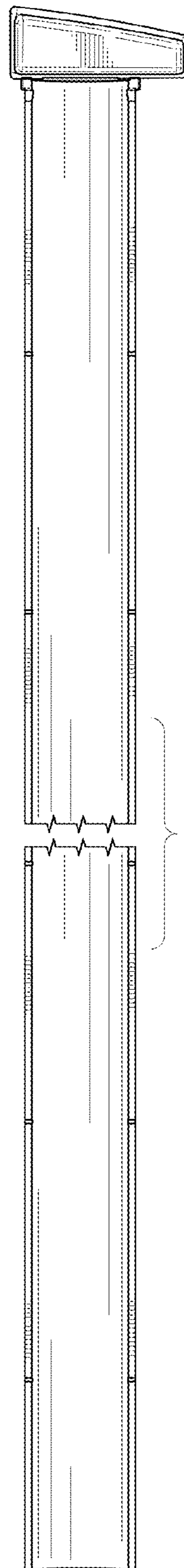


FIG. 8

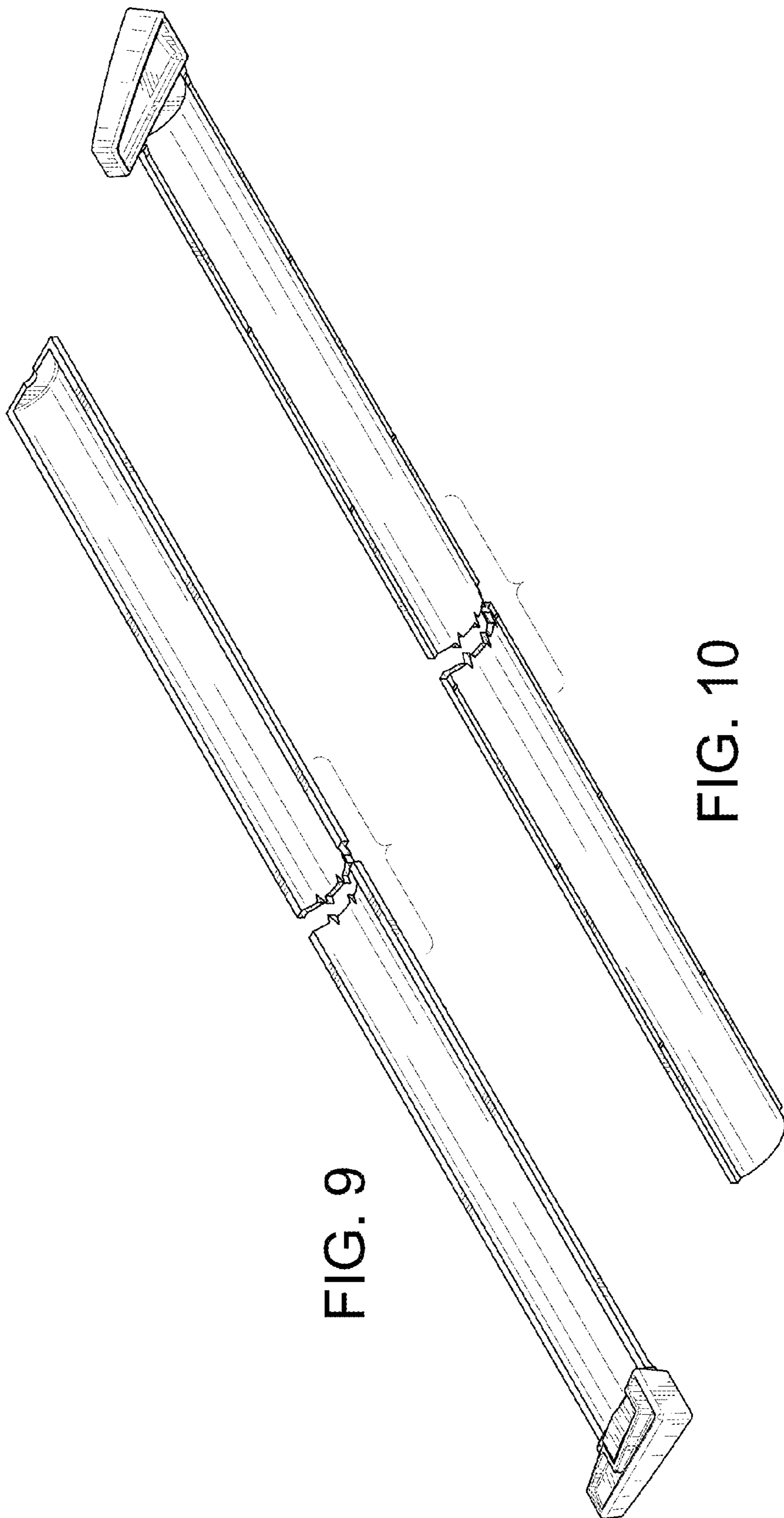


FIG. 9

FIG. 10

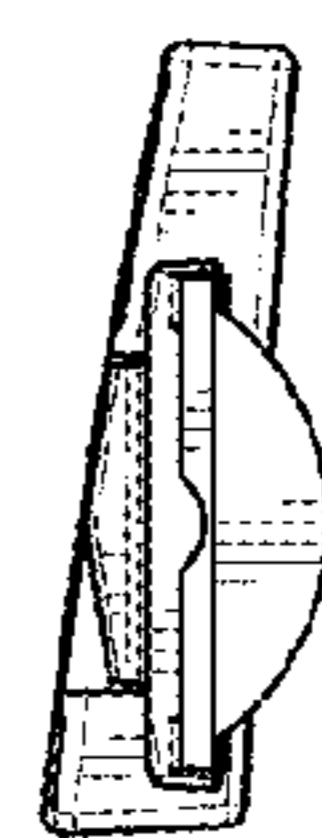


FIG. 11



FIG. 12

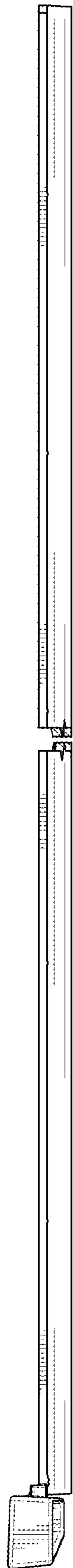


FIG. 13



FIG. 14

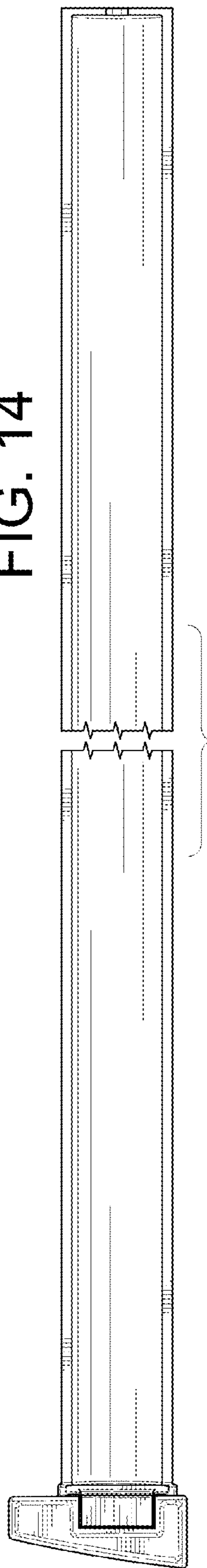


FIG. 15

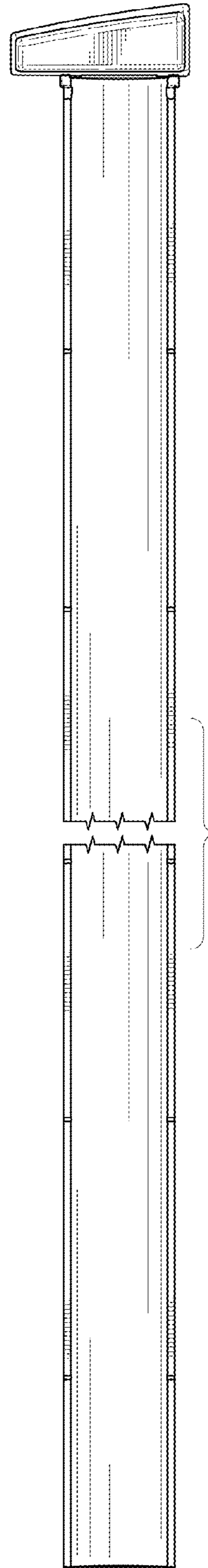


FIG. 16