



US00D747825S

(12) **United States Design Patent**  
**Reynolds**

(10) **Patent No.:** **US D747,825 S**  
(45) **Date of Patent:** **\*\* Jan. 19, 2016**

- (54) **HORTICULTURE GROW LIGHT FIXTURE**
- (71) Applicant: **IP Holdings, LLC**, Vancouver, WA (US)
- (72) Inventor: **Chris Reynolds**, Vancouver, WA (US)
- (73) Assignee: **IP Holdings, LLC**, Vancouver, WA (US)
- (\*\*) Term: **14 Years**
- (21) Appl. No.: **29/526,561**
- (22) Filed: **May 11, 2015**

**Related U.S. Application Data**

- (62) Division of application No. 29/483,665, filed on Feb. 28, 2014, now Pat. No. Des. 732,233.
- (51) **LOC (10) Cl.** ..... **26-99**
- (52) **U.S. Cl.**  
USPC ..... **D26/118**
- (58) **Field of Classification Search**  
USPC ..... D26/9, 10, 12, 13, 15, 16, 24, 51, 61,  
D26/72, 76, 80, 81, 85, 86, 88, 90, 113, 118,  
D26/119, 120, 122, 128, 129, 138, 143, 144,  
D26/5, 6, 11, 79, 114, 116, 131, 137, 121,  
D26/127, 135, 180; D13/180; D10/18, 21,  
D10/24, 25, 27, 28, 46, 93, 104.1, 113, 114,  
D10/116.1; D17/99  
CPC ..... B60Q 1/04; B60Q 1/26; F21S 8/026;  
F21S 8/04; F21V 29/004; F21V 21/02;  
F21V 21/04; F21V 29/2212; F21V 37/002;  
F21V 7/00; F21V 29/83; F21V 7/22; F21Y  
2101/02; F21L 19/00; F23D 11/443; A61L  
9/037

See application file for complete search history.

(56) **References Cited**

U.S. PATENT DOCUMENTS

D123,768 S 12/1940 Scribner  
3,272,978 A 9/1966 Jackson

(Continued)

OTHER PUBLICATIONS

Agrotech Magnum Reflector, image post date Feb. 5, 2012, site visited Oct. 31, 2014, (online), <<http://www.hydroponics.net/i/136580>>.\*

(Continued)

*Primary Examiner* — Kevin Rudzinski

*Assistant Examiner* — Sean D Lough

(74) *Attorney, Agent, or Firm* — J. Douglas Wells

(57) **CLAIM**

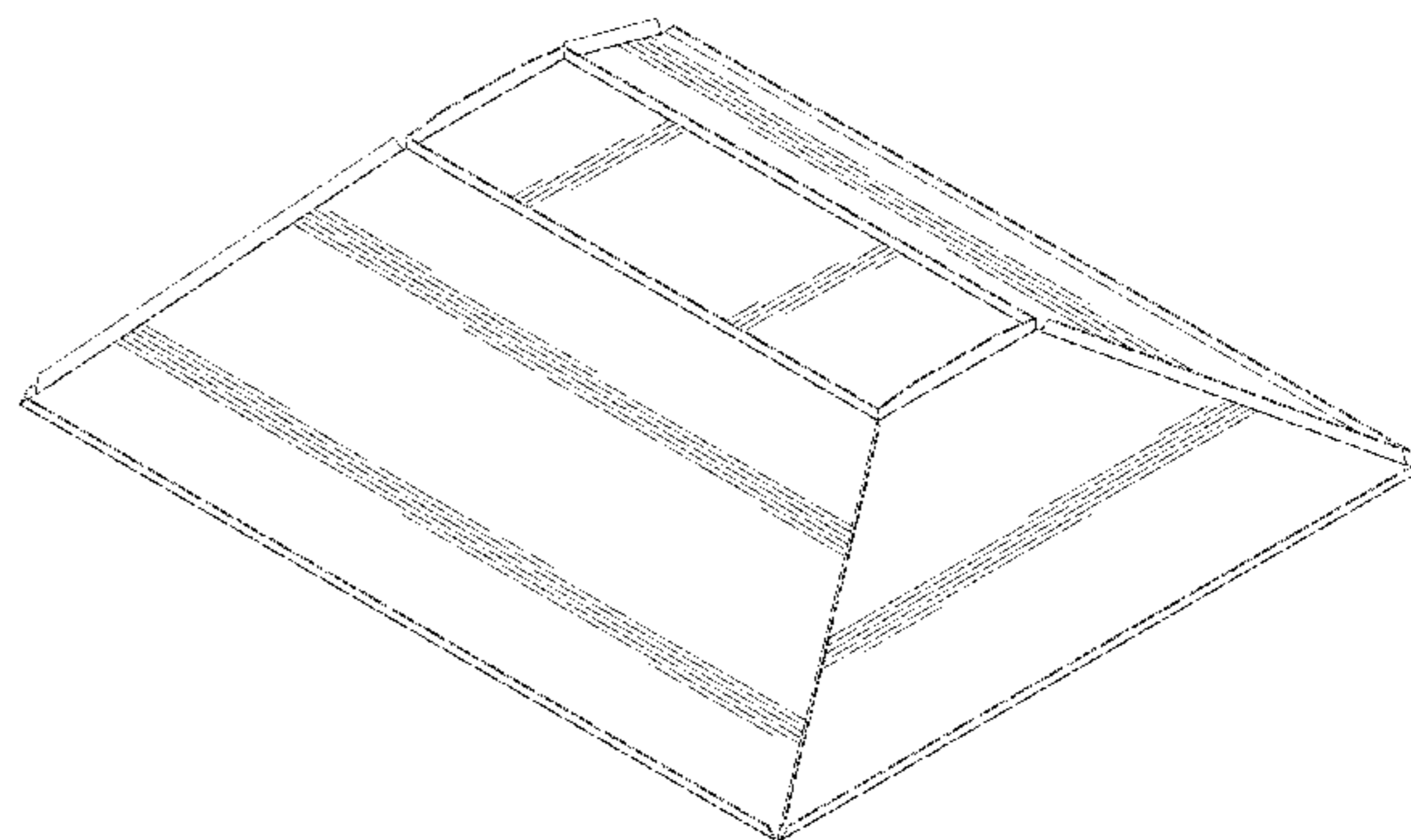
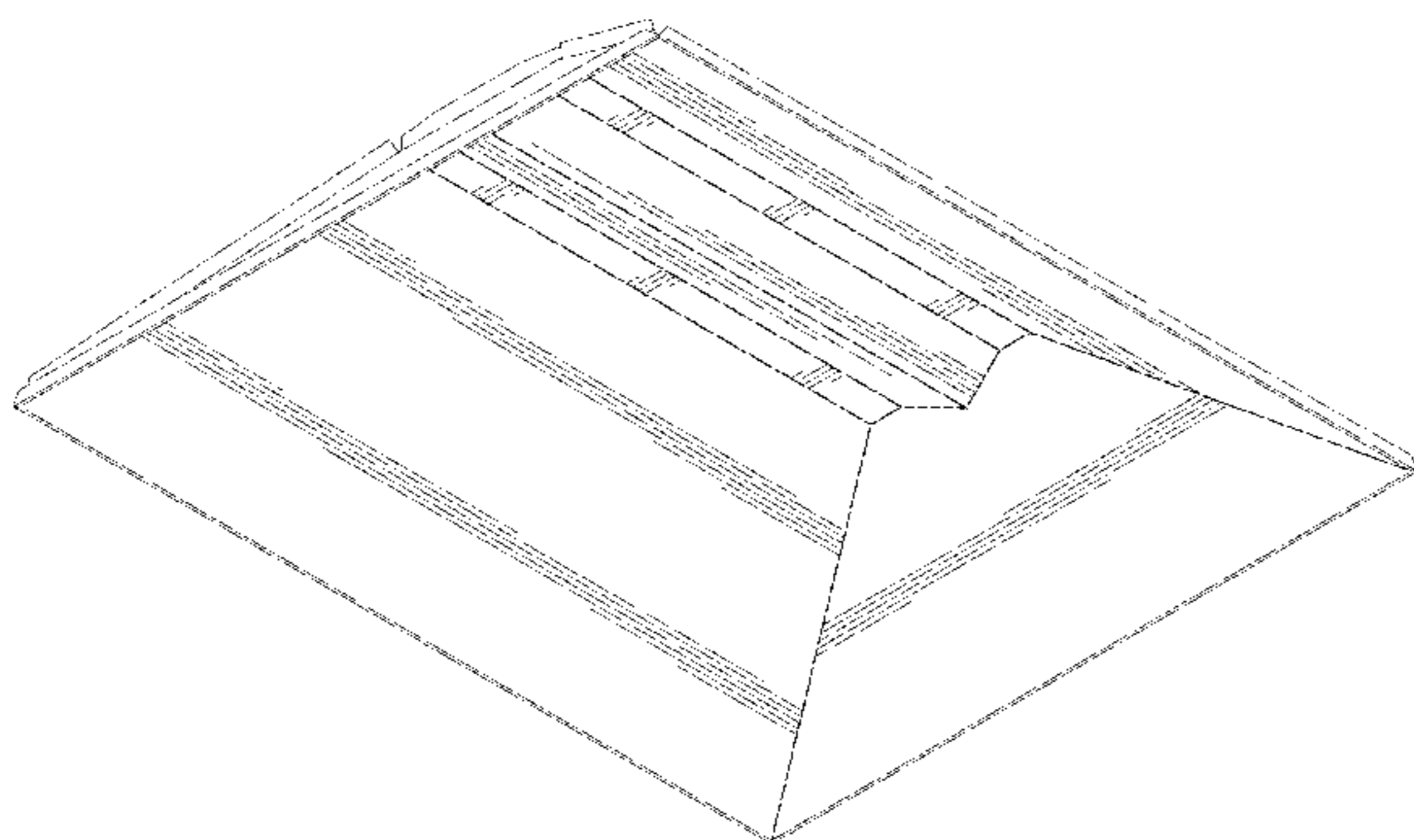
The ornamental design for a horticulture grow light fixture, as shown and described.

**DESCRIPTION**

FIG. 1 is a perspective view of the horticulture grow light fixture, as viewed from below, showing my new design; FIG. 2 is a perspective view of the light fixture shown in FIG. 1, as viewed from above; FIG. 3 is a left side view of the light fixture shown in FIG. 1; FIG. 4 is a right side view of the light fixture shown in FIG. 1; FIG. 5 is a front elevation view of the light fixture shown in FIG. 1; FIG. 6 is a rear elevation view of the light fixture shown in FIG. 1; FIG. 7 is a top plan view of the light fixture shown in FIG. 1; and, FIG. 8 is a bottom plan view of the light fixture shown in FIG. 1.

The broken-line disclosure shown in the views is understood to represent portions of the article in which the claimed design is embodied, but which form no part of the claimed design.

**1 Claim, 6 Drawing Sheets**



(56)

References Cited

U.S. PATENT DOCUMENTS

3,433,941 A \* 3/1969 Hall ..... F21V 7/09  
362/294  
3,701,898 A \* 10/1972 McNamara, Jr. .... F21V 7/05  
362/341  
4,531,180 A 7/1985 Hernandez  
D290,662 S \* 7/1987 Basil ..... D6/310  
D300,877 S \* 4/1989 Cyr ..... D26/118  
4,933,821 A 6/1990 Anderson  
D311,597 S 10/1990 Poot  
6,024,468 A \* 2/2000 Kassay ..... F21S 8/06  
362/217.05  
6,152,579 A 11/2000 Reed et al.  
D456,938 S 5/2002 Wardenburg  
D459,825 S 7/2002 Field  
D469,564 S 1/2003 Brok  
6,527,422 B1 3/2003 Hutchison  
6,595,662 B2 7/2003 Wardenburg  
D499,505 S \* 12/2004 Benensohn ..... D26/89  
D542,460 S 5/2007 Hargreaves  
D543,652 S 5/2007 Hargreaves  
D543,654 S 5/2007 Hargreaves  
D544,139 S 6/2007 Hargreaves  
D544,626 S 6/2007 Hargreaves  
D544,983 S 6/2007 Hargreaves  
D544,984 S 6/2007 Hargreaves  
D544,985 S 6/2007 Hargreaves  
D544,987 S 6/2007 Hargreaves  
D544,994 S 6/2007 Hargreaves  
D544,995 S 6/2007 Hargreaves  
D545,484 S 6/2007 Hargreaves  
D545,994 S 7/2007 Hargreaves  
7,524,090 B2 4/2009 Hargreaves  
D603,087 S 10/2009 Mo et al.  
7,641,367 B2 1/2010 Hargreaves et al.  
D614,801 S 4/2010 Collins et al.  
7,722,228 B2 \* 5/2010 Broer ..... A01G 9/26  
362/264  
D634,060 S 3/2011 Wardenburg  
D634,468 S 3/2011 Hargreaves  
D634,469 S 3/2011 Hargreaves  
D637,341 S \* 5/2011 Wardenburg ..... D26/118  
D637,752 S 5/2011 Mekhtarian  
D640,404 S \* 6/2011 Chipperfield ..... D26/63  
7,972,044 B2 7/2011 Burkhauser  
8,209,912 B2 7/2012 Hargreaves et al.

D671,259 S \* 11/2012 Chen ..... D26/135  
D675,369 S 1/2013 Michaud  
D678,599 S 3/2013 Boyer et al.  
D683,064 S 5/2013 Tuck  
D689,238 S \* 9/2013 Halsey ..... D26/118  
D693,959 S \* 11/2013 Boyer ..... D26/118  
D698,986 S \* 2/2014 Reynolds ..... D26/118  
D698,987 S \* 2/2014 Stanley ..... D26/118  
8,702,283 B2 \* 4/2014 Bradley, Jr. .... F21V 7/0025  
362/218  
D720,505 S \* 12/2014 Kersten ..... D30/121  
D722,654 S \* 2/2015 Martone ..... D21/472  
D725,819 S \* 3/2015 Reynolds ..... D26/118  
D731,701 S \* 6/2015 Hargreaves ..... D26/118  
D732,235 S \* 6/2015 Reynolds ..... D26/118  
D732,236 S \* 6/2015 Reynolds ..... D26/118  
2008/0205030 A1 8/2008 Hargreaves  
2008/0205071 A1 8/2008 Townsley  
2008/0278950 A1 11/2008 Pickard et al.  
2009/0262540 A1 10/2009 Hargreaves et al.  
2009/0310373 A1 \* 12/2009 Burkhauser ..... A01G 9/26  
362/373  
2013/0083539 A1 \* 4/2013 Dimitriadis ..... F21V 7/00  
362/297

OTHER PUBLICATIONS

NPL date for Agrotech Magnum Reflector from Wayback Machine, image post date Oct. 31, 2014, site visited Oct. 31, 2014, (online), <[http://web.archive.org/web/\\*/http://www.hydroponics.net/i/136580](http://web.archive.org/web/*/http://www.hydroponics.net/i/136580)>.\*  
Cree CR22, image post date Apr. 28, 2011, site visited Nov. 15, 2014, (online), <<http://www.ledsmagazine.com/content/dam/leds/migrated/objects/news/8/4/19/Cree204272011.jpg>>.\*  
NPL date for Cree CR22, image post date Apr. 28, 2011, site visited Nov. 15, 2014, (online), <<http://www.ledsmagazine.com/articles/2011/04/cree-delivers-led-alternative-to-linear-fluorescent-fixtures.html>>.\*  
ZR Series High Efficacy Troffer, image post date Apr. 13, 2012, site visited Oct. 31, 2014, (online), <<http://www.cree.com/Lighting/Products>>.\*  
NPL date for ZR Series High Efficacy Troffer from Wayback Machine, image post date Oct. 31, 2014, site visited Oct. 31, 2014, (online), <[http://web.archive.org/web/20120415000000\\*/http://www.cree.com/Lighting/Products](http://web.archive.org/web/20120415000000*/http://www.cree.com/Lighting/Products)>.\*

\* cited by examiner

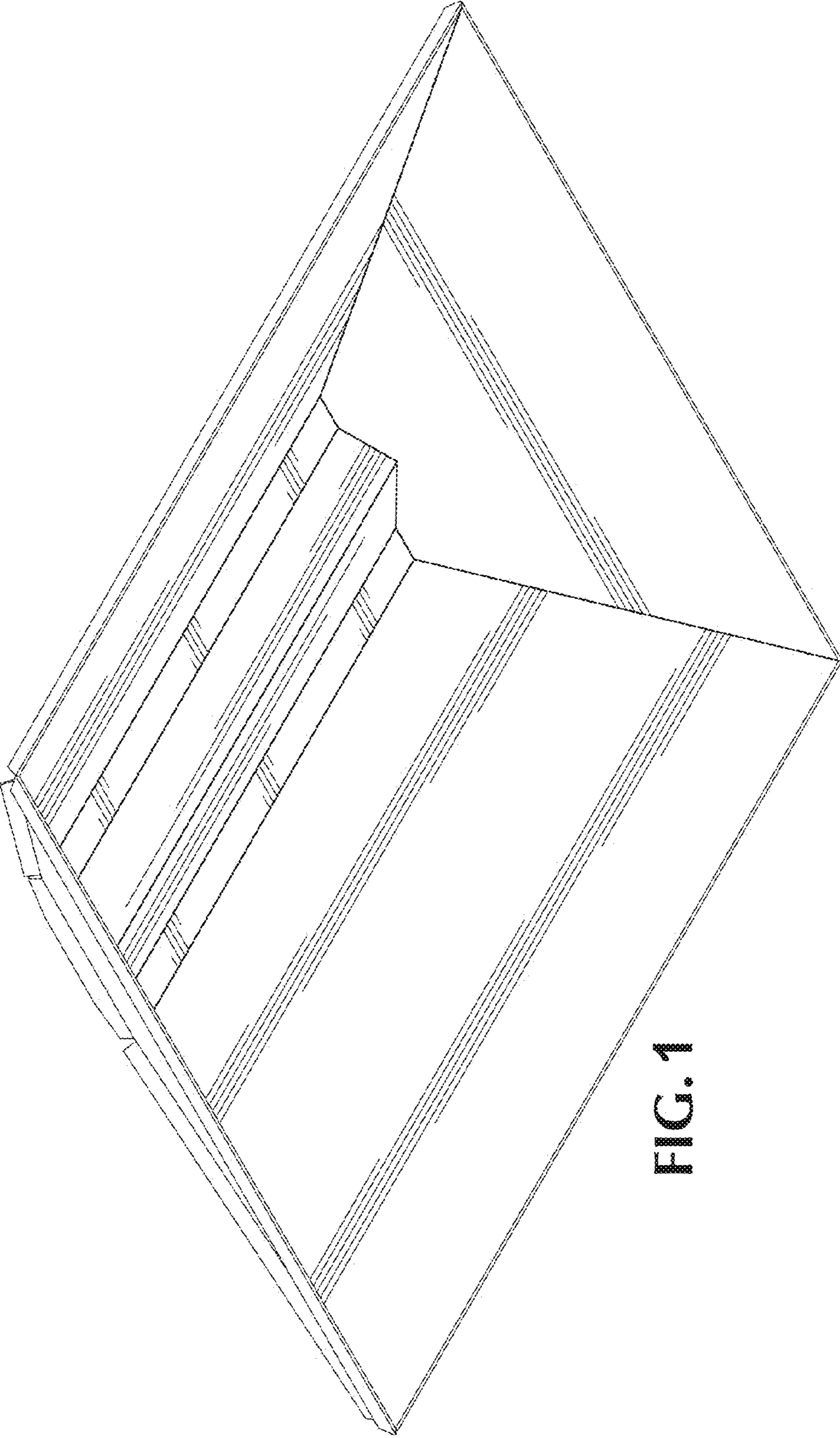


FIG. 1

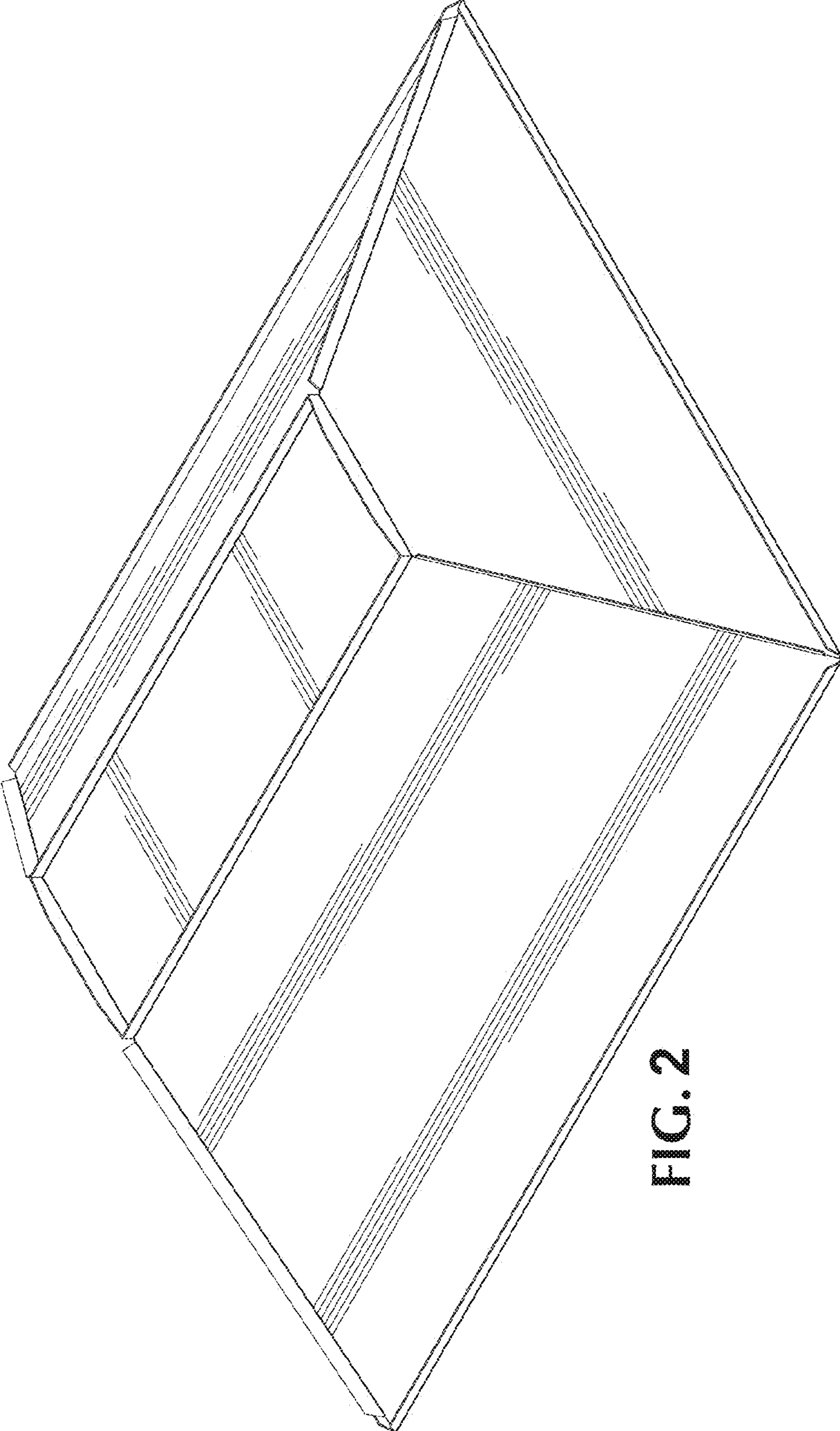


FIG. 2

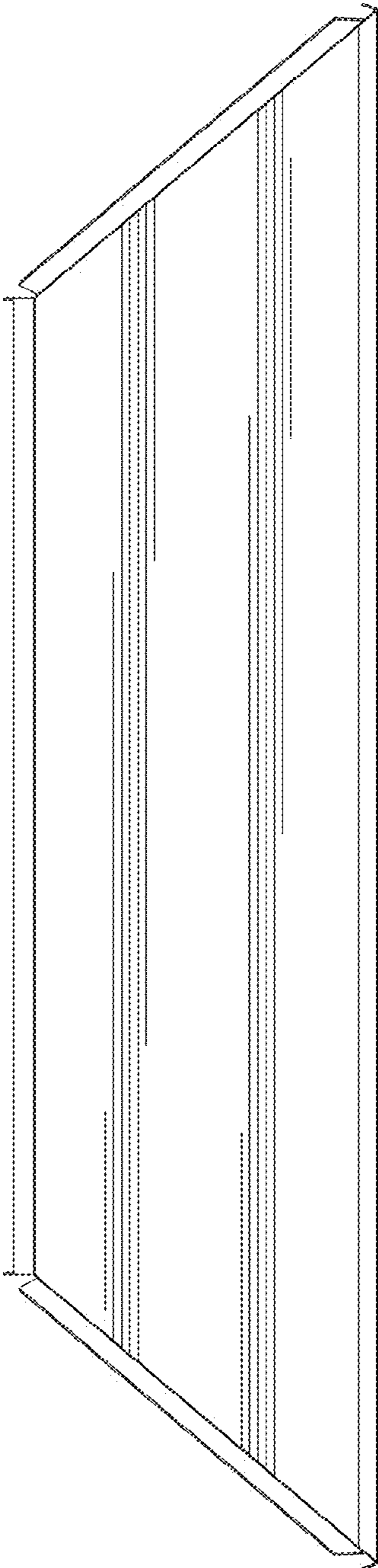


FIG. 3

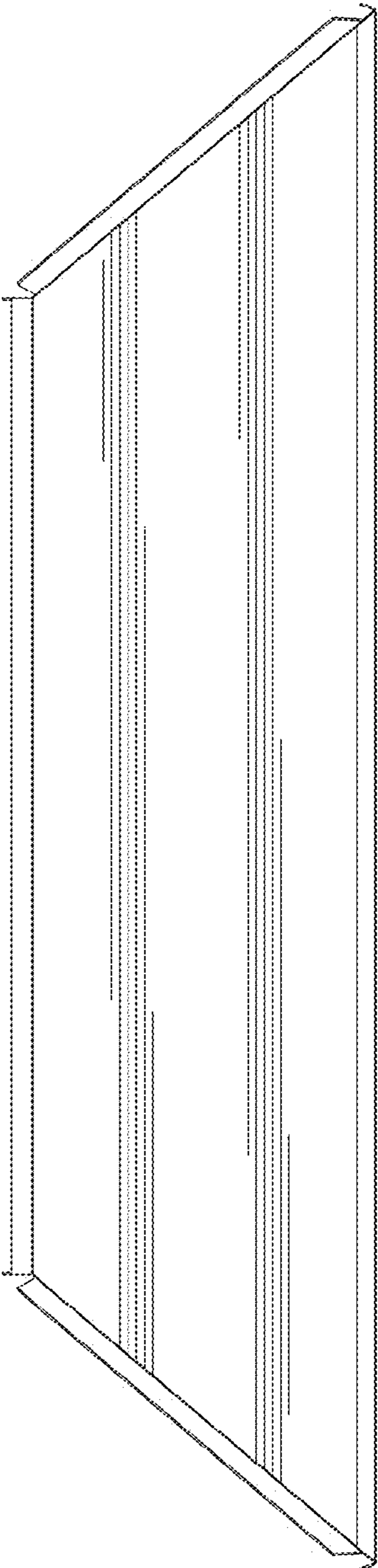


FIG. 4

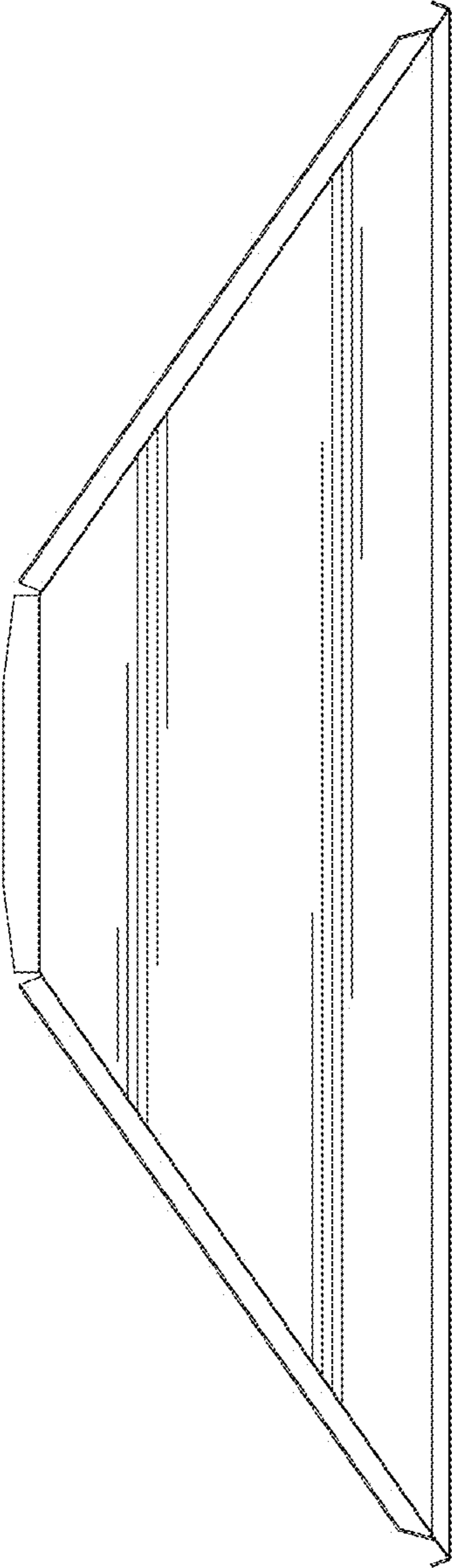


FIG. 5

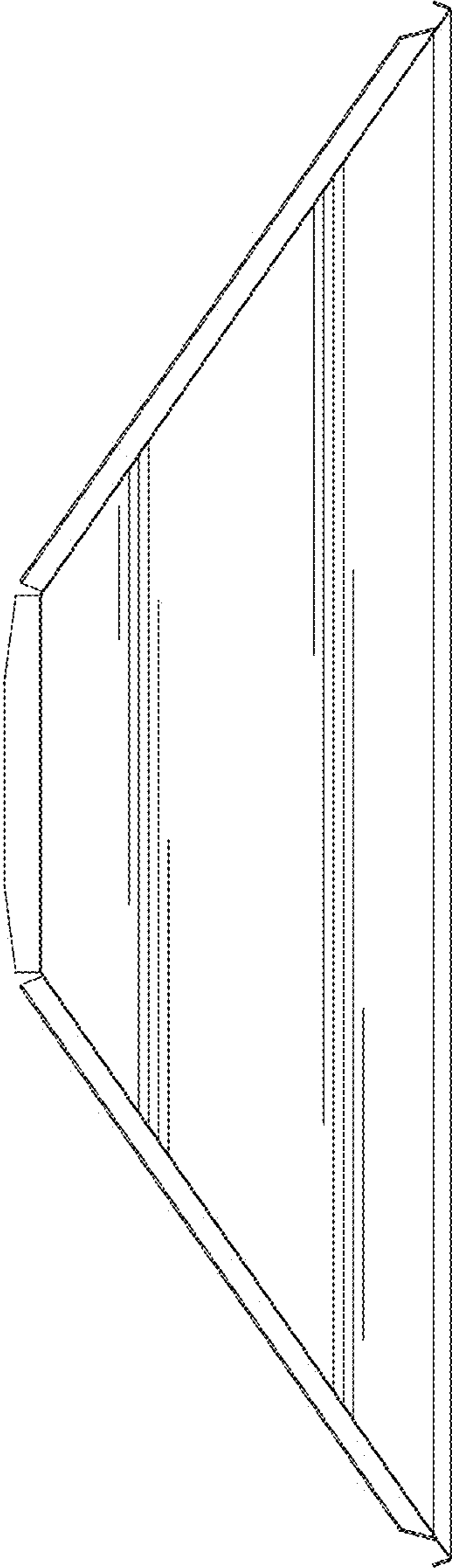


FIG. 6

FIG. 7

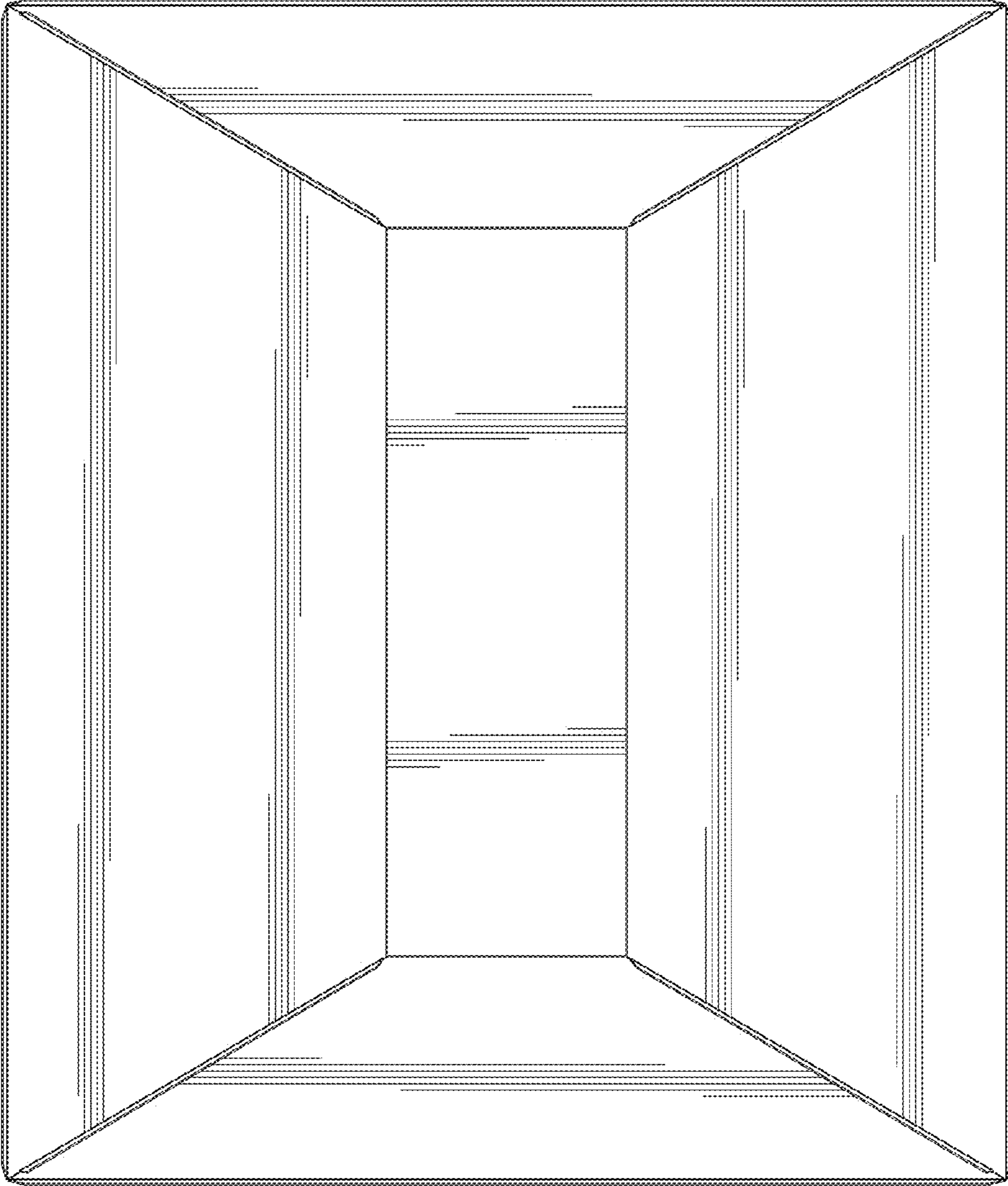


FIG. 8

