



US00D747824S

(12) **United States Design Patent**
Stolte et al.

(10) **Patent No.:** **US D747,824 S**
(45) **Date of Patent:** **** Jan. 19, 2016**

(54) **LIGHTING FIXTURE**

(71) Applicant: **KENALL MANUFACTURING COMPANY**, Gurnee, IL (US)

(72) Inventors: **Brandon Stolte**, Lindenhurst, IL (US);
Kevin Dahlen, Lindenhurst, IL (US);
James Hawkins, Lake Bluff, IL (US)

(73) Assignee: **KENALL MANUFACTURING COMPANY**, Kenosha, WI (US)

(**) Term: **14 Years**

(21) Appl. No.: **29/487,609**

(22) Filed: **Apr. 10, 2014**

Related U.S. Application Data

(60) Division of application No. 29/464,699, filed on Aug. 20, 2013, now Pat. No. Des. 707,387, which is a continuation of application No. 13/005,288, filed on Jan. 12, 2011, now Pat. No. 8,905,589.

(51) **LOC (10) Cl.** **26-03**

(52) **U.S. Cl.**
USPC **D26/89**

(58) **Field of Classification Search**
USPC D26/72, 85, 89, 119, 128-137;
362/147, 350, 404-408, 453-456
CPC F21S 8/02; F21S 8/03; F21S 8/033;
F21S 8/04; F21S 8/043; F21V 29/506; F21V
21/03; F21V 3/04; F21V 3/0418; F21V
3/0427; F21V 3/0436; F21V 3/0445; F21V
21/14

See application file for complete search history.

(56) **References Cited**

U.S. PATENT DOCUMENTS

4,729,076 A 3/1988 Masami et al.
4,782,435 A * 11/1988 Manzoni F21S 8/033
16/348

D393,093 S * 3/1998 Fiorato D26/85
D443,713 S * 6/2001 Benensohn D26/72
D464,164 S * 10/2002 Thompson D26/89
D465,599 S * 11/2002 Thompson D26/89
6,705,747 B2 * 3/2004 Caferro F21V 7/0025
362/147
D535,051 S * 1/2007 Stauffer D26/128
D571,034 S * 6/2008 Goetz-Schaefer D26/85
D583,091 S * 12/2008 Benensohn D26/89
7,593,229 B2 9/2009 Shuy
7,604,380 B2 10/2009 Burton et al.
7,611,264 B1 * 11/2009 Chang et al. 362/249.02

(Continued)

OTHER PUBLICATIONS

From eurostylelighting.com, visited on Aug. 5, 2010—Murray Feiss Essentail Ceiling light; 2.) Sonneman Vienna Ceiling light; 3.) Forecast satin nickel ceiling light.*

(Continued)

Primary Examiner — Clare E Heflin

(74) *Attorney, Agent, or Firm* — Marshall, Gerstein & Borun LLP

(57) **CLAIM**

The ornamental design for a lighting fixture, as shown and described.

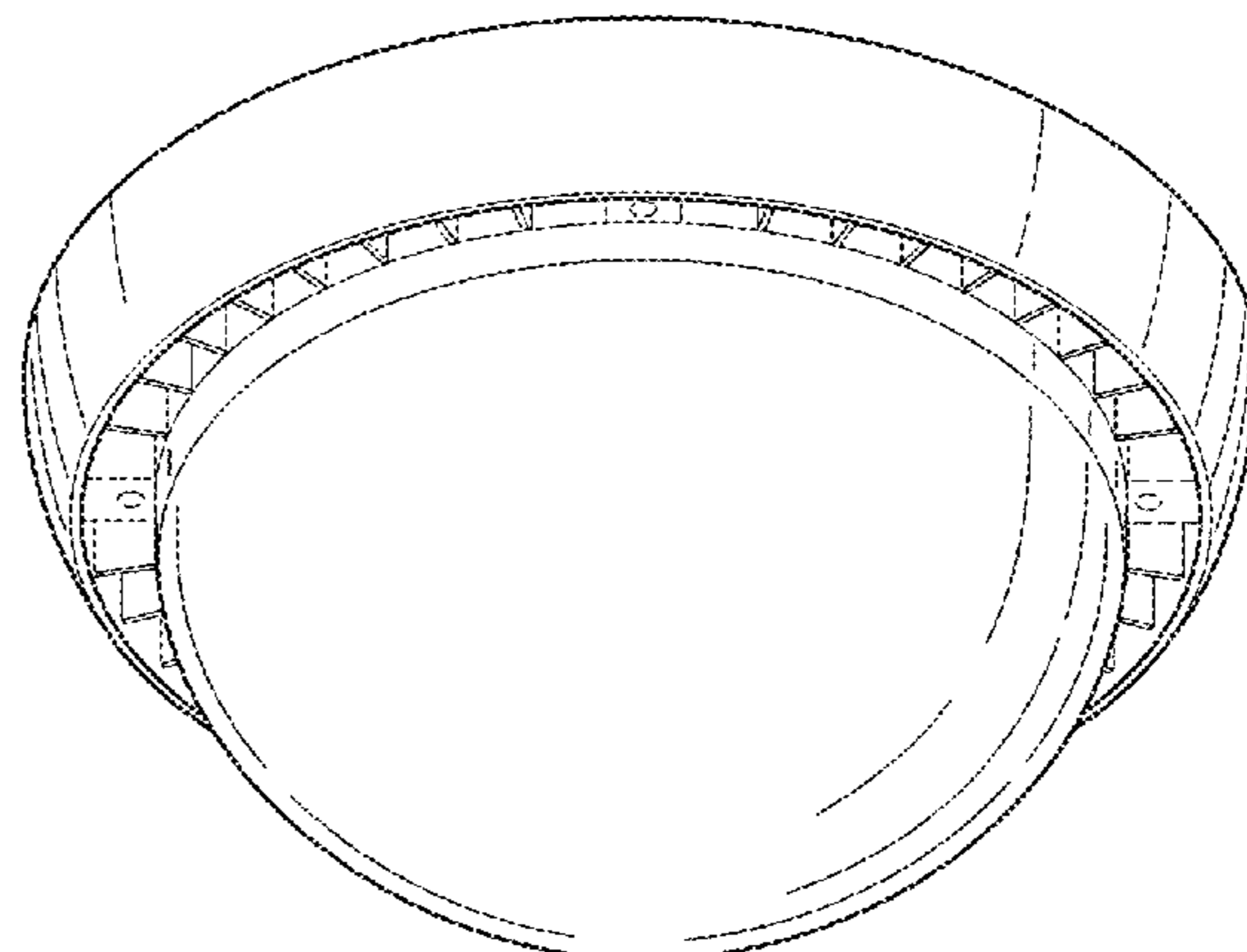
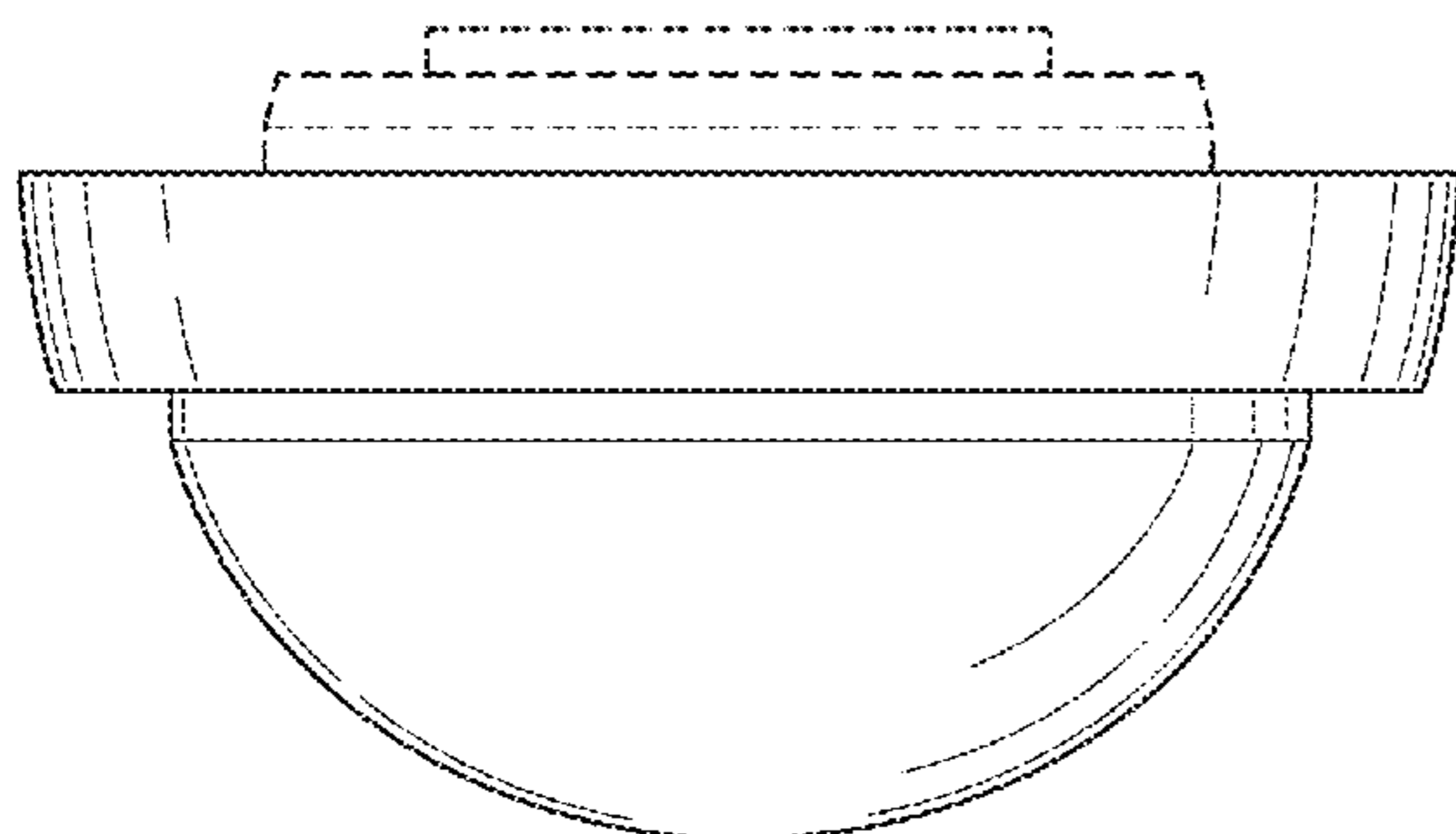
DESCRIPTION

FIG. 1 is a perspective view of a lighting fixture showing the new design angled rearward approximately 15 degrees from vertical;

FIG. 2 is a side elevation view thereof, with all side elevation views being identical; FIG. 3 is a bottom plan view thereof; FIG. 4 is another perspective view thereof showing the design angled rearward approximately 30 degrees from vertical; and, FIG. 5 is another perspective view thereof showing the design angled rearward approximately 45 degrees from vertical.

The broken lines showing portions of the lighting fixture are included for the purpose of illustrating environment and form no part of the claimed design.

1 Claim, 3 Drawing Sheets



(56)

References Cited

U.S. PATENT DOCUMENTS

D607,600 S * 1/2010 Keith D26/85
 7,682,055 B2 3/2010 Shuai et al.
 7,712,925 B2 5/2010 Russell
 7,775,692 B2 8/2010 Li
 7,810,965 B2 10/2010 Weaver
 7,828,465 B2 11/2010 Roberge et al.
 7,832,898 B2 11/2010 Li
 D628,738 S * 12/2010 Chen D26/89
 7,857,497 B2 12/2010 Koike et al.
 7,862,210 B2 1/2011 Zhang et al.
 7,866,847 B2 1/2011 Zheng
 7,874,700 B2 1/2011 Patrick
 D634,053 S * 3/2011 Guercio D26/89
 D639,996 S * 6/2011 Stolte D26/89
 7,959,329 B2 6/2011 Van De Ven
 7,972,036 B1 7/2011 Schach et al.
 7,979,197 B2 7/2011 Finn et al.
 8,157,422 B2 4/2012 Paik et al.
 8,164,237 B2 4/2012 Wen
 8,201,968 B2 * 6/2012 Maxik F21S 8/026
 362/147
 8,226,273 B2 7/2012 Lai
 8,235,097 B2 8/2012 Scordino et al.
 8,272,765 B2 9/2012 Ter-Hovhannisyan
 8,672,518 B2 * 3/2014 Boomgaarden F21S 8/026
 362/147
 8,905,589 B2 * 12/2014 Stolte F21V 29/004
 362/294
 2009/0296387 A1 12/2009 Reisenauer et al.

2010/0091487 A1 4/2010 Shin
 2010/0124058 A1 5/2010 Miller
 2010/0172143 A1 7/2010 Cunius
 2011/0110095 A1 5/2011 Li et al.

OTHER PUBLICATIONS

From eurostylelighting.com, visited on Aug. 5, 2010—Sonneman Vienna polished nickel 17" ceiling light.*
 From eurostylelighting.com, visited on Aug. 5, 2010—Forecast Presto Collection 10" wide ceiling light.*
 From eurostylelighting.com, visited on Aug. 5, 2010—Sonneman Trumpet 21" surface ceiling light and Sonneman Rialto 17" ceiling light.*
 American Electric Lighting, LEDR LED Roadway, Advertising Brochure, before Dec. 20, 2010, 12 pages.
 Dialight Corporation, DuroSite, LED Low Bay Fixture, unknown publication date, 2 pages, Dialight Website.
 Dialight Corporation, DuroSite_highbay_dlc, Press Release, Aug. 25, 2010, 1 page, Dialight Website.
 Dialight Corporation, DuroSite LED Lowboy, Press Release, Apr. 5, 2011, 1 page, Dialight Website.
 Dialight, DuroSite LED High Bay, Advertising Brochure, before Dec. 20, 2010, 8 pages.
 Electromatic Products, High Light Low Energy LED Lighting, Advertising Brochure, before Dec. 20, 2010, 2 pages.
 Philips Corporation, Canlyte product brochure, unknown date, 16 pages—reference p. 7, Canlyte a Philips Group Brand, Printed in Canada.

* cited by examiner

FIG. 1

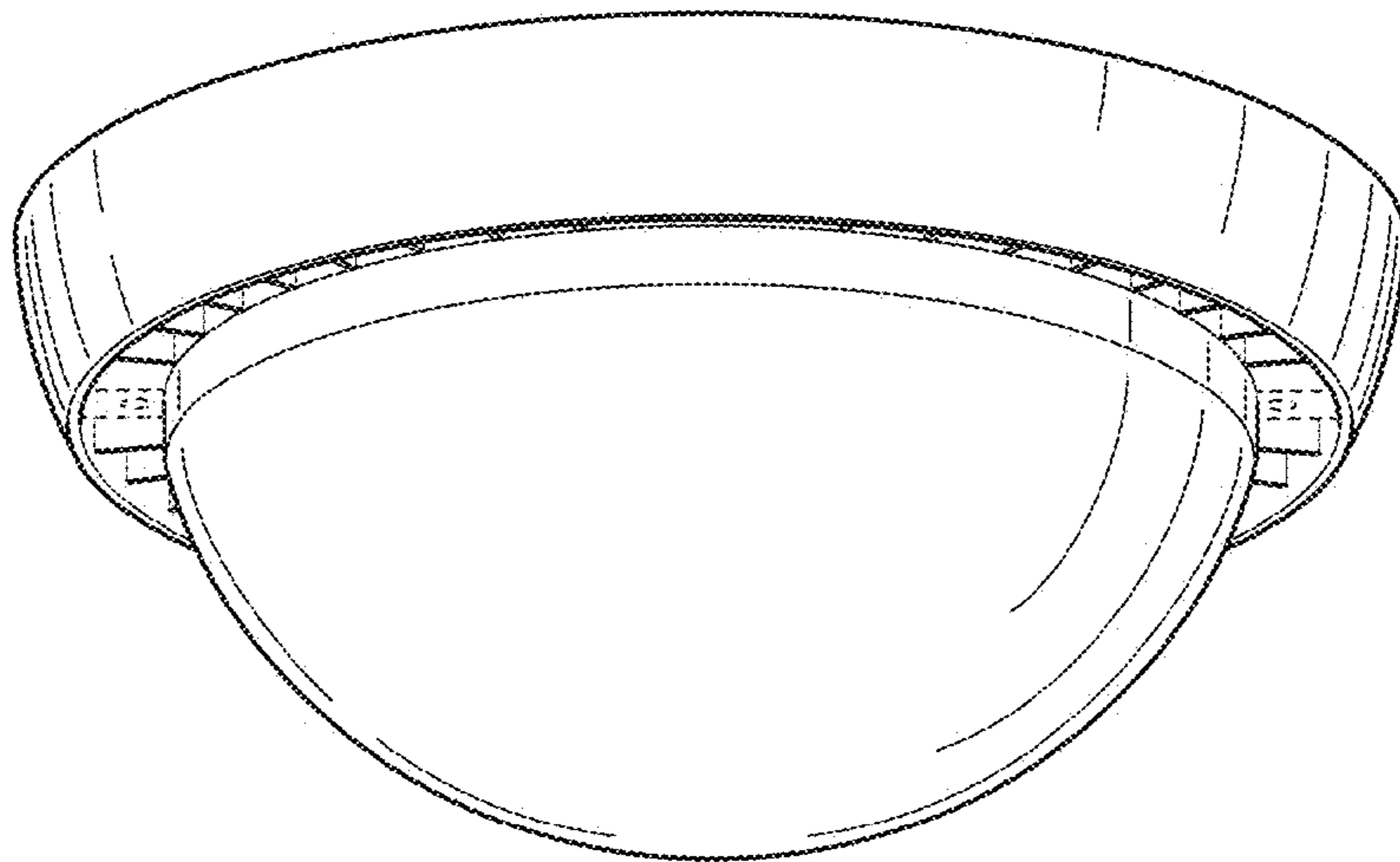


FIG. 2

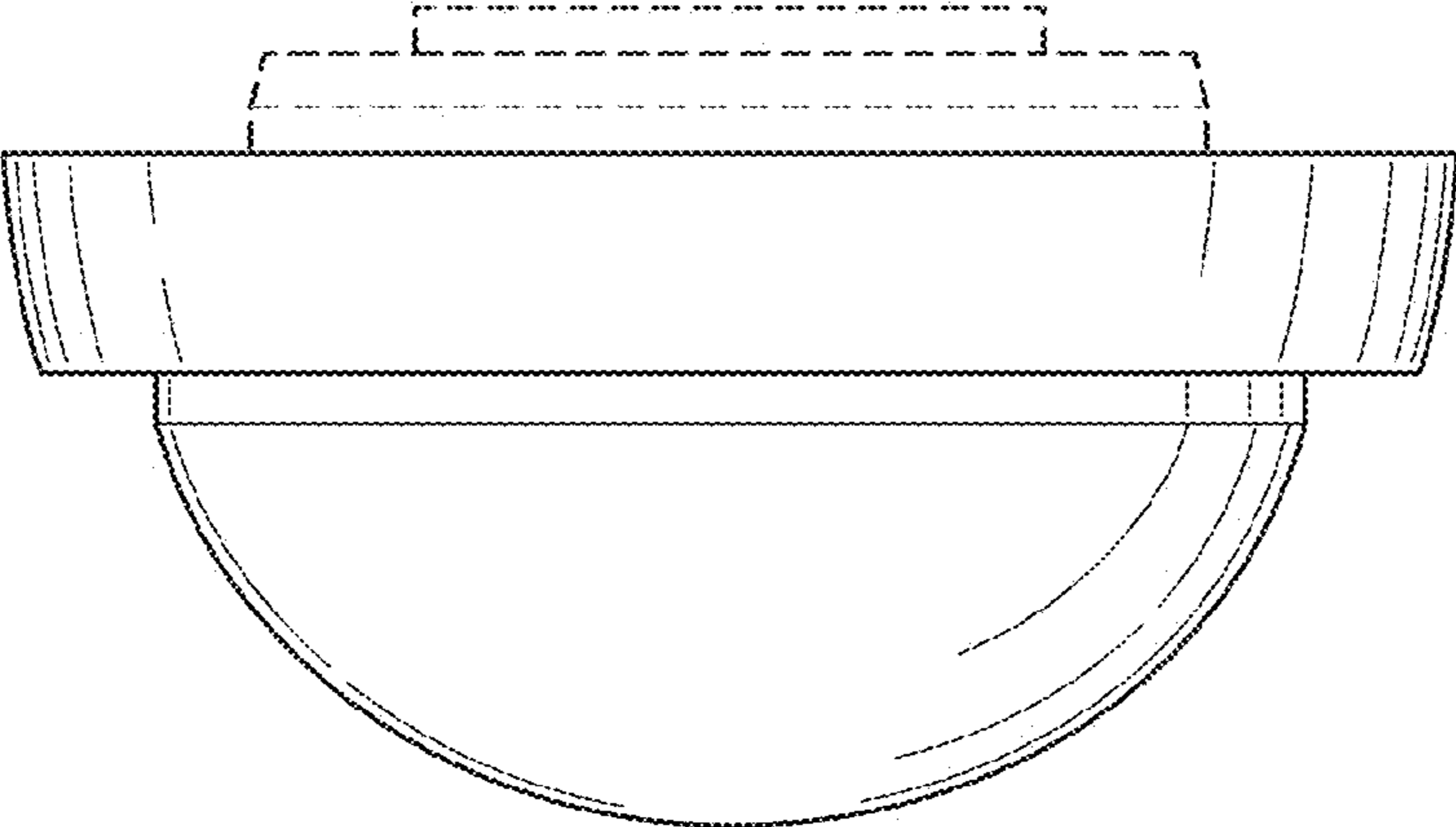
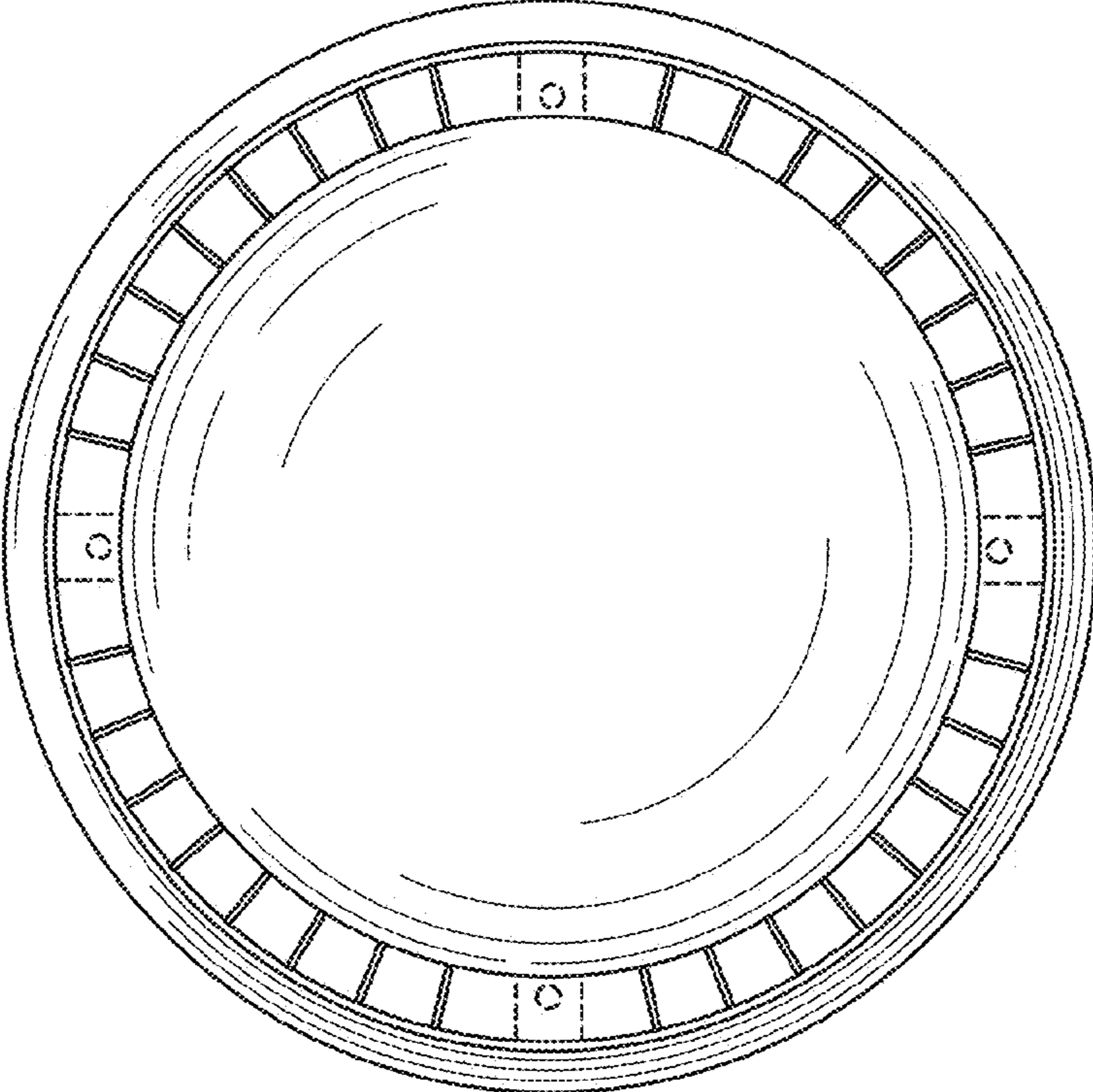


FIG. 3



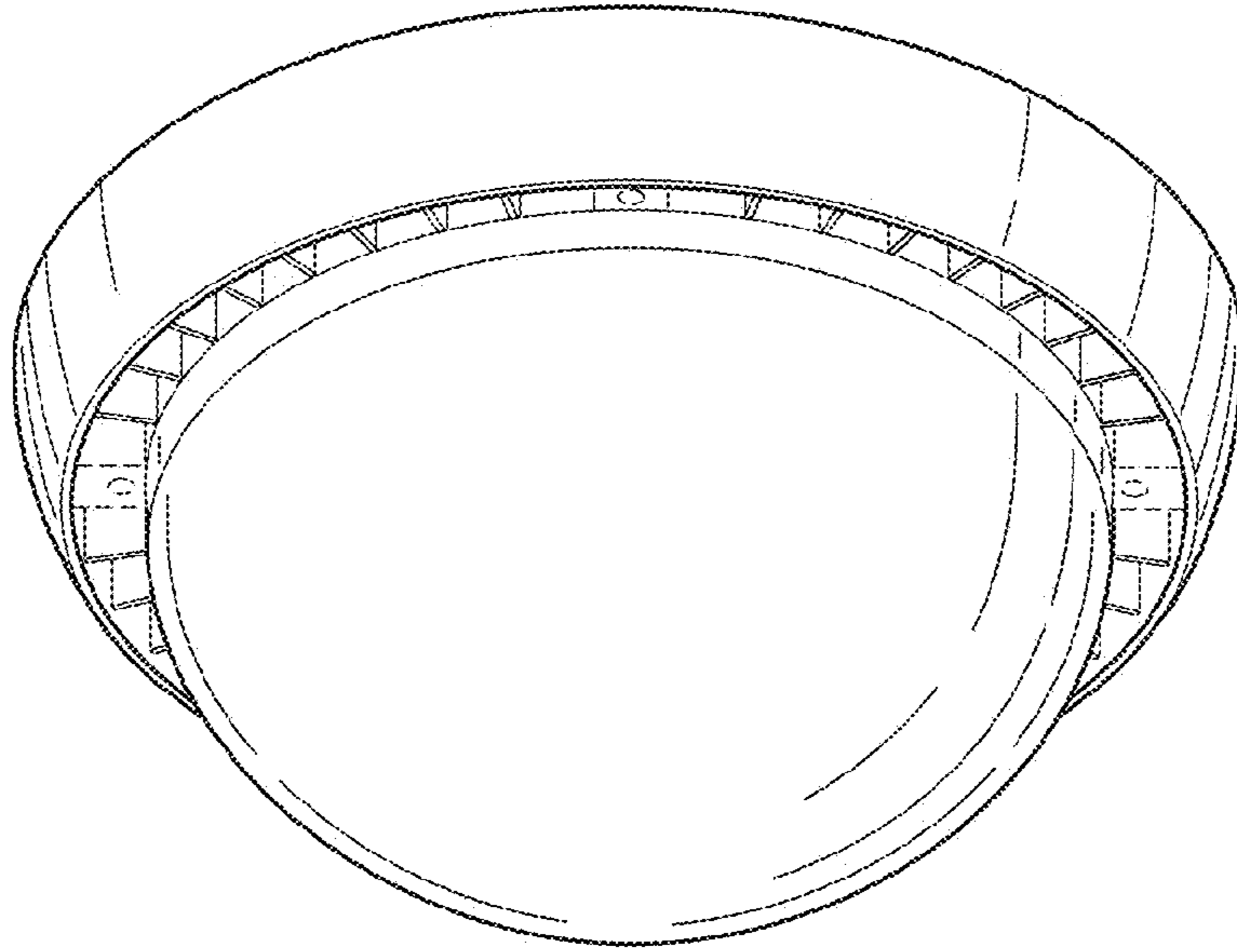


FIG. 4

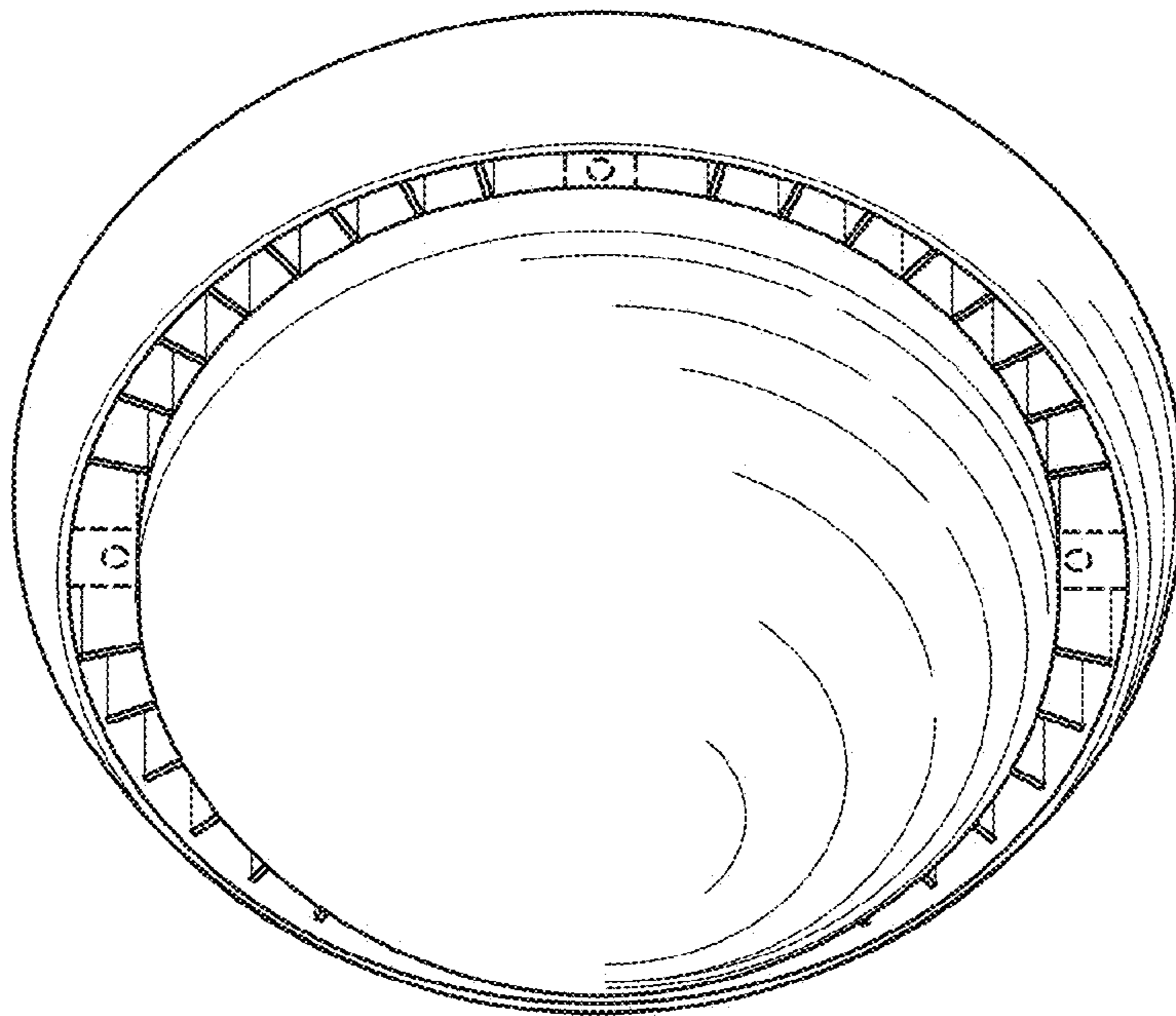


FIG. 5