



US00D747823S

(12) **United States Design Patent**
Gründl et al.

(10) **Patent No.:** **US D747,823 S**
(45) **Date of Patent:** **** Jan. 19, 2016**

(54) **SPOTLIGHT**

(71) Applicant: **ZUMTOBEL LIGHTING GMBH,**
Lemgo (DE)

(72) Inventors: **Harald Gründl,** Vienna (AT); **Gernot Bohmann,** Vienna (AT); **Martin Bergmann,** Vienna (AT)

(73) Assignee: **ZUMTOBEL LIGHTING GMBH,**
Lemgo (DE)

(**) Term: **14 Years**

(21) Appl. No.: **29/482,254**

(22) Filed: **Feb. 17, 2014**

(30) **Foreign Application Priority Data**

Aug. 19, 2013 (EM) 001 380 752

(51) **LOC (10) Cl.** **26-03**

(52) **U.S. Cl.**
USPC **D26/63**

(58) **Field of Classification Search**
USPC D26/1, 24, 61, 63, 65, 85, 92
CPC F21V 21/14; F21V 15/01; F21V 14/02;
F21V 21/30; F21V 21/00; F21V 14/00;
F21S 8/00; F21S 8/003; F21S 8/043; F21Y
2105/001

See application file for complete search history.

(56) **References Cited**

U.S. PATENT DOCUMENTS

D331,294 S *	11/1992	Wereley	D26/63
D541,456 S *	4/2007	Kosche	D26/63
D563,579 S *	3/2008	Grimberg	D26/61
D587,832 S *	3/2009	Bergmann et al.	D26/63
D598,594 S *	8/2009	Behar	D26/63
D627,498 S *	11/2010	Chipperfield	D26/63
D631,588 S *	1/2011	Bergmann et al.	D26/63

* cited by examiner

Primary Examiner — Brian N Vinson

(74) *Attorney, Agent, or Firm* — Marshall, Gerstein & Borun LLP

(57) **CLAIM**

The ornamental design for a spotlight, as shown and described.

DESCRIPTION

FIG. 1 is a front, top, and left side perspective view of a spotlight showing our new design:

FIG. 2 is a right elevation view of the spotlight.

FIG. 3 is a left elevation view of the spotlight.

FIG. 4 is a rear elevation view of the spotlight.

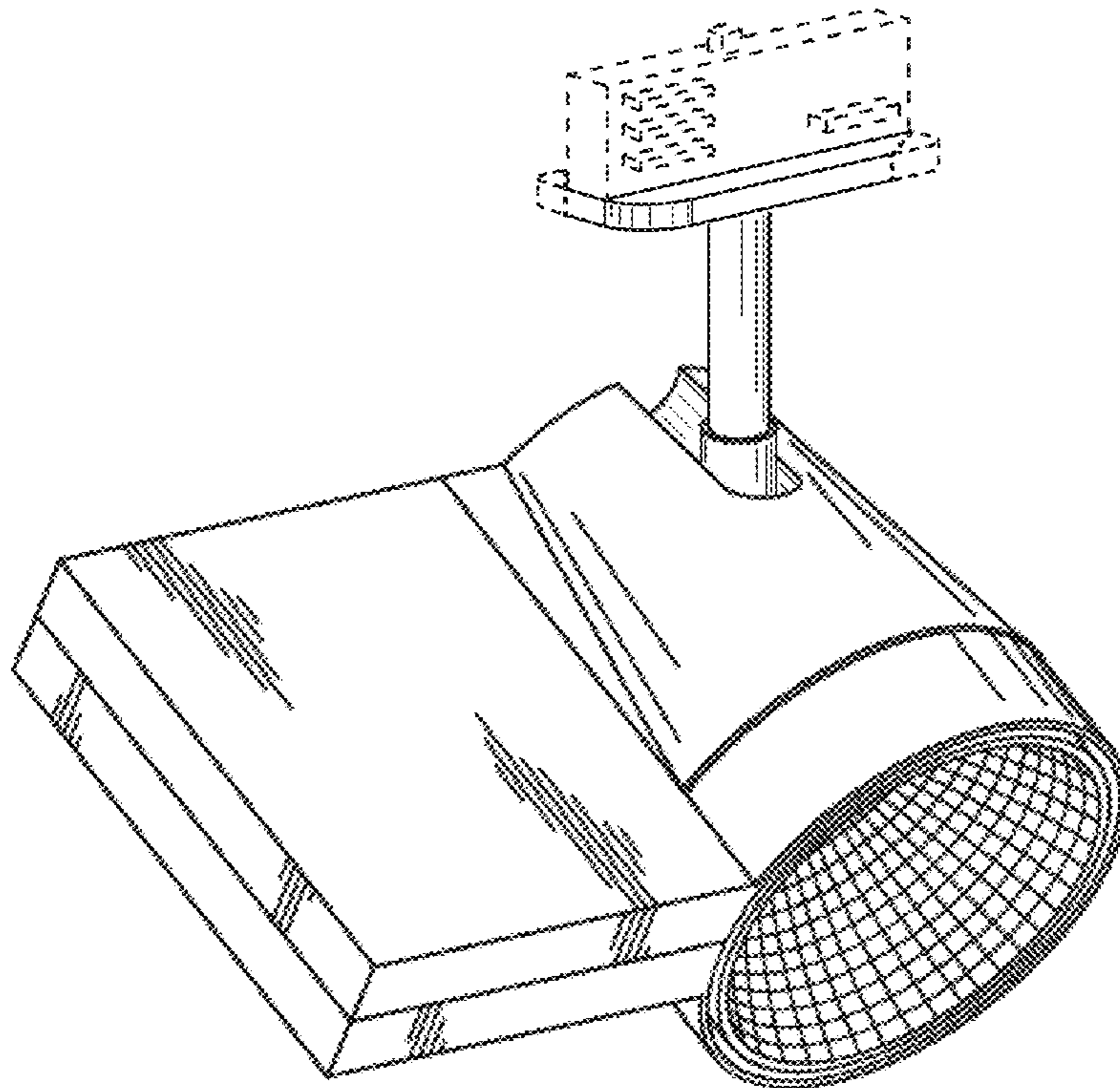
FIG. 5 is a bottom plan view of the spotlight.

FIG. 6 is front elevation view of the spotlight; and,

FIG. 7 is a top plan view of the spotlight.

The broken line disclosure represents portions of the spotlight which form no part of the claimed design.

1 Claim, 6 Drawing Sheets



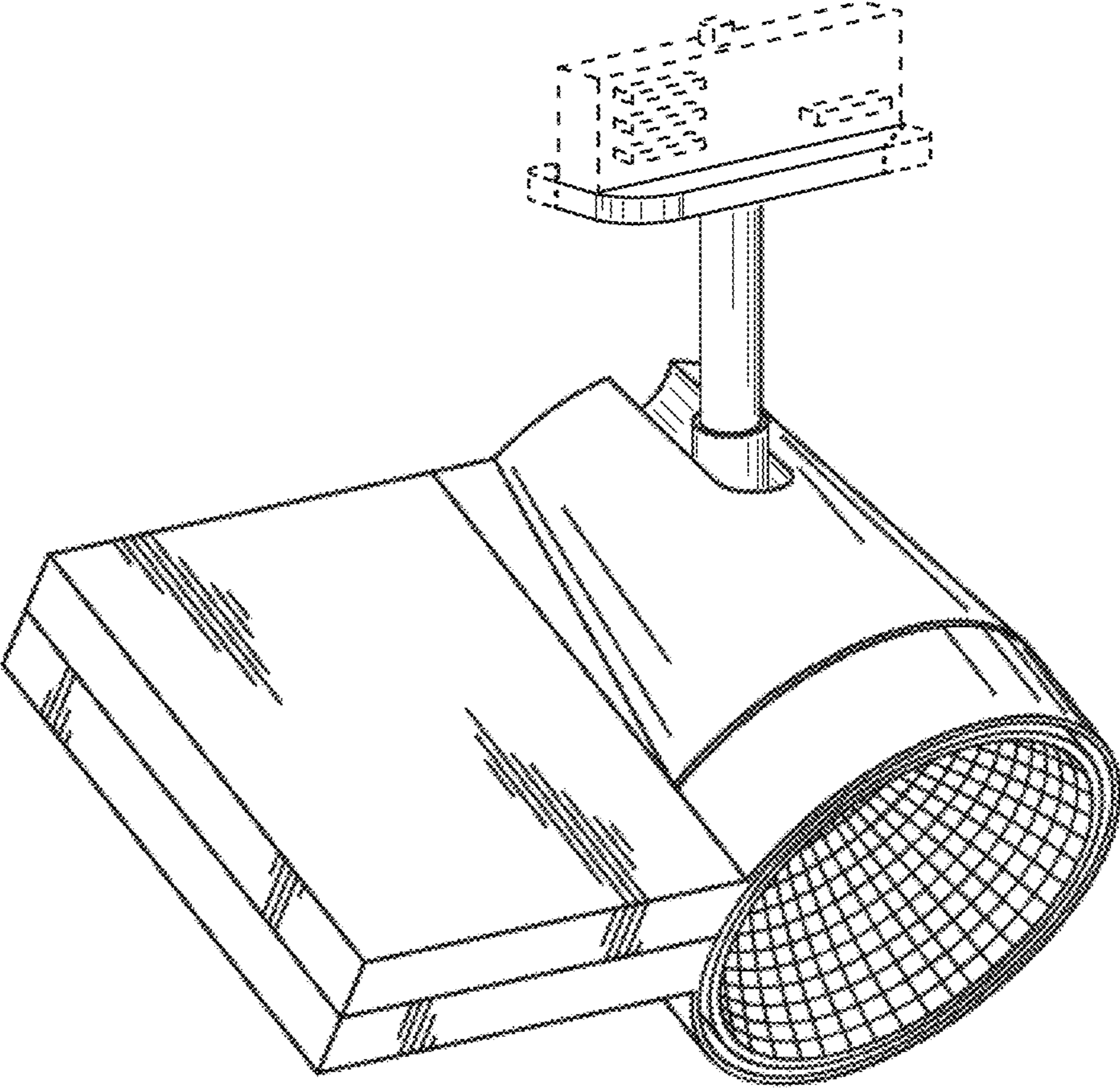


FIG. 1

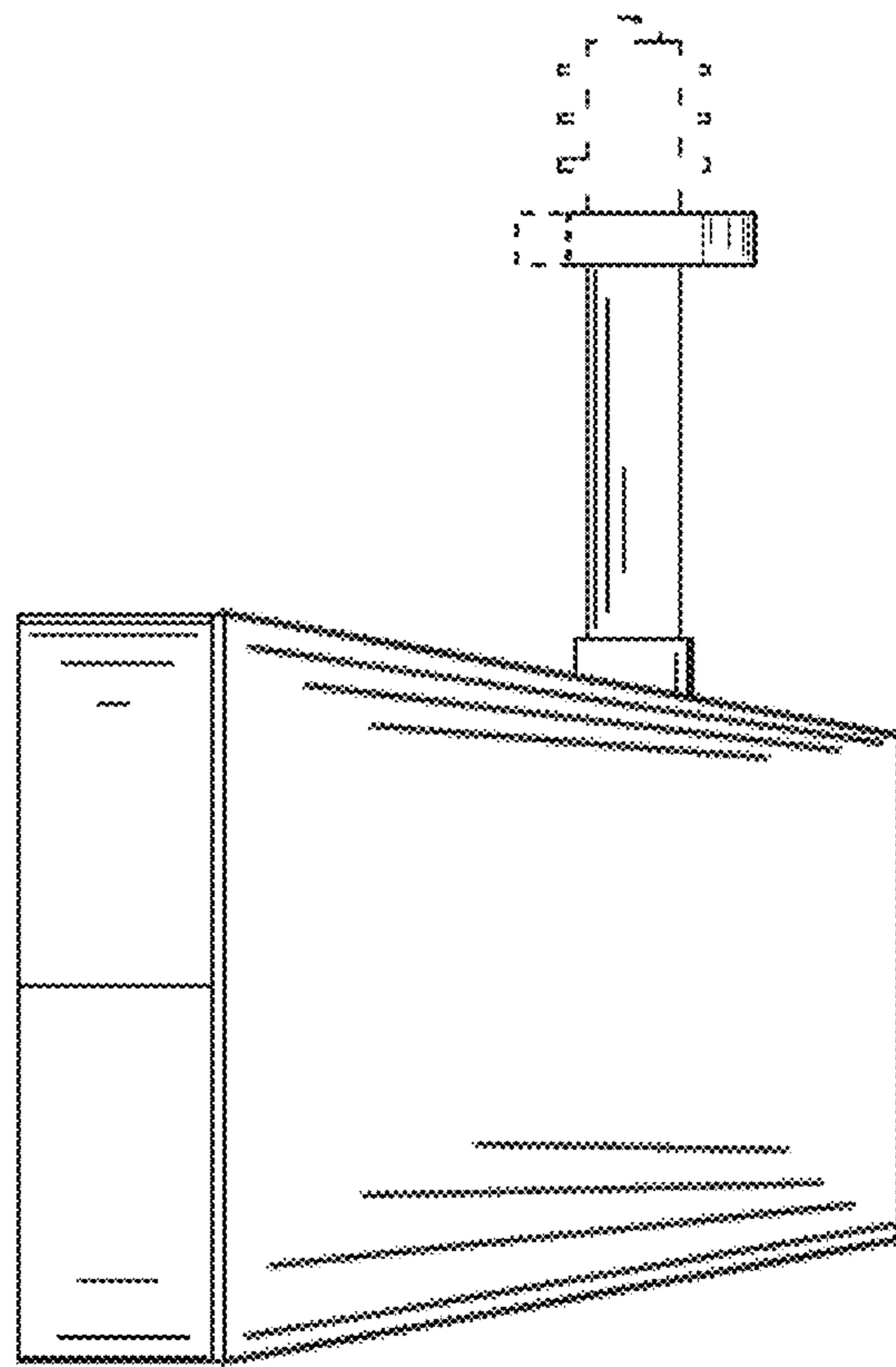


FIG. 2

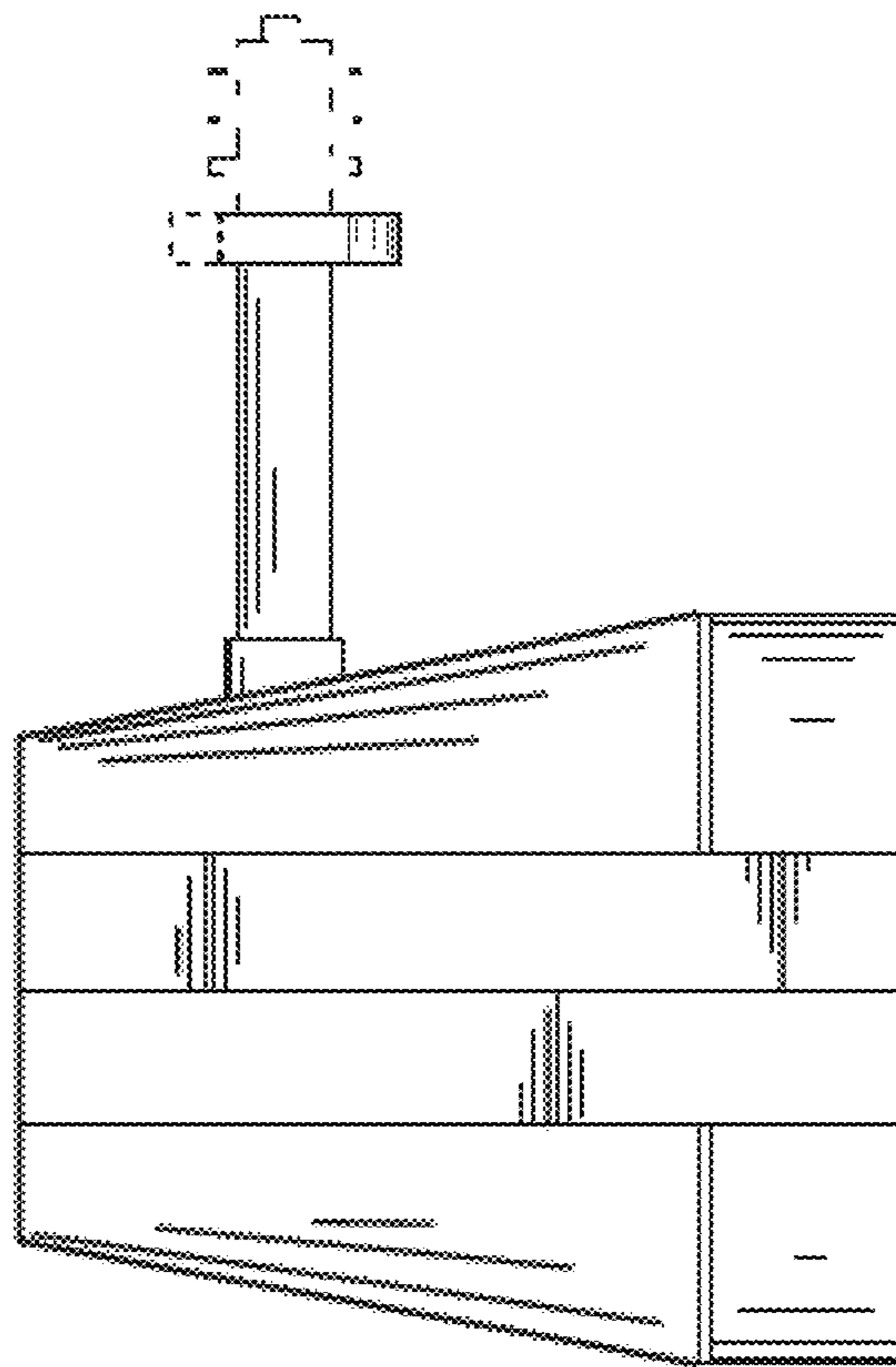


FIG. 3

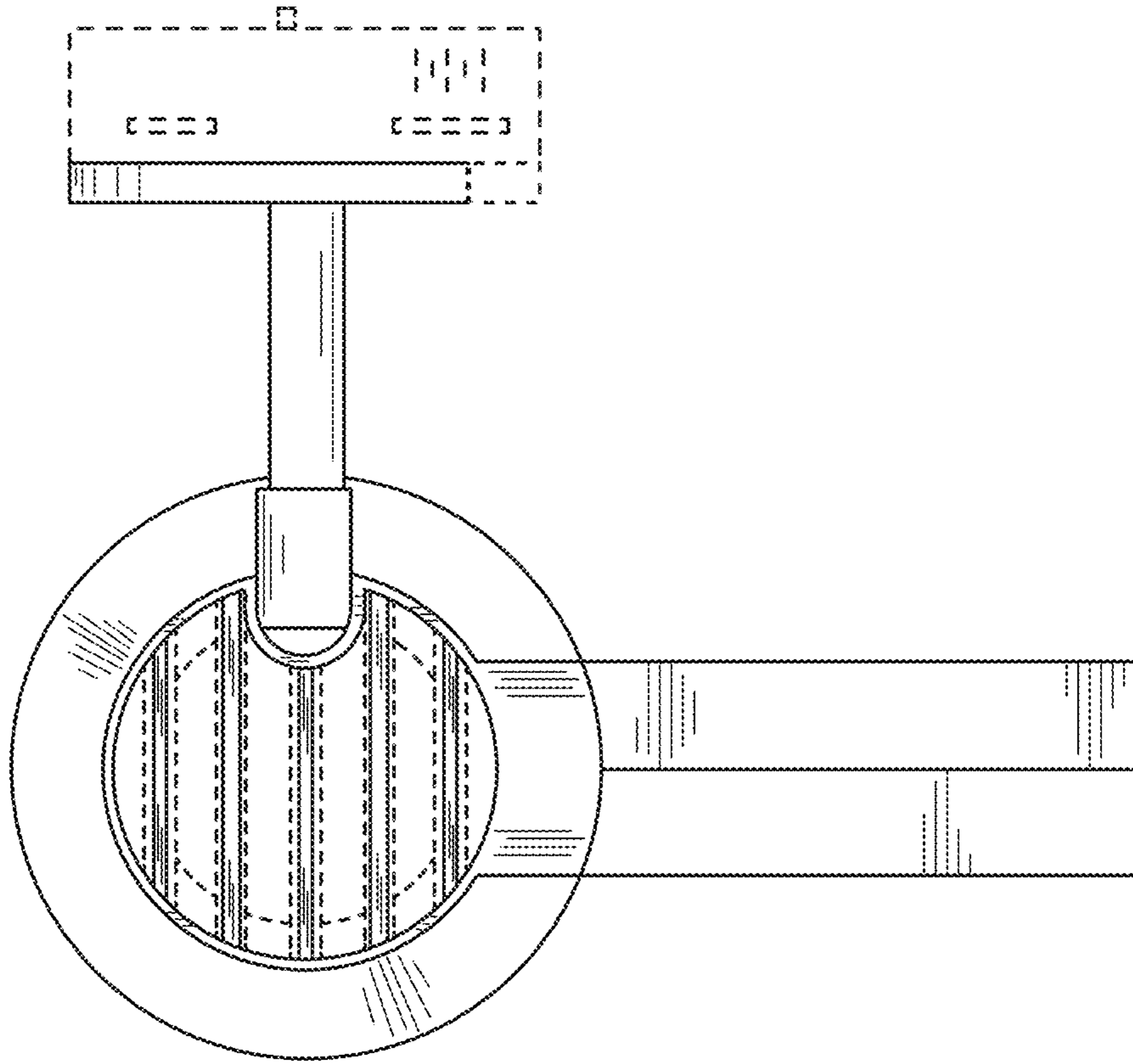


FIG. 4

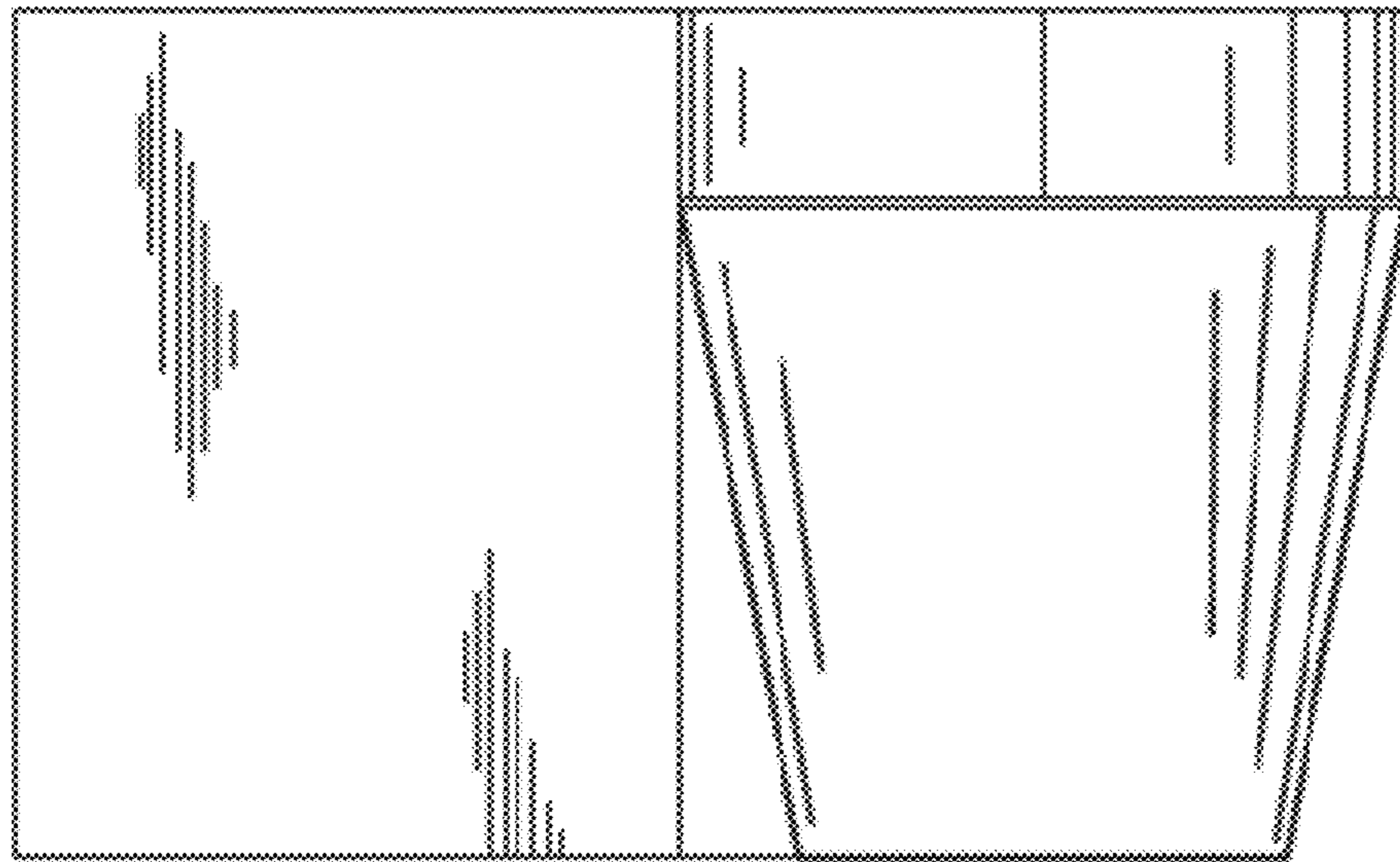


FIG. 5

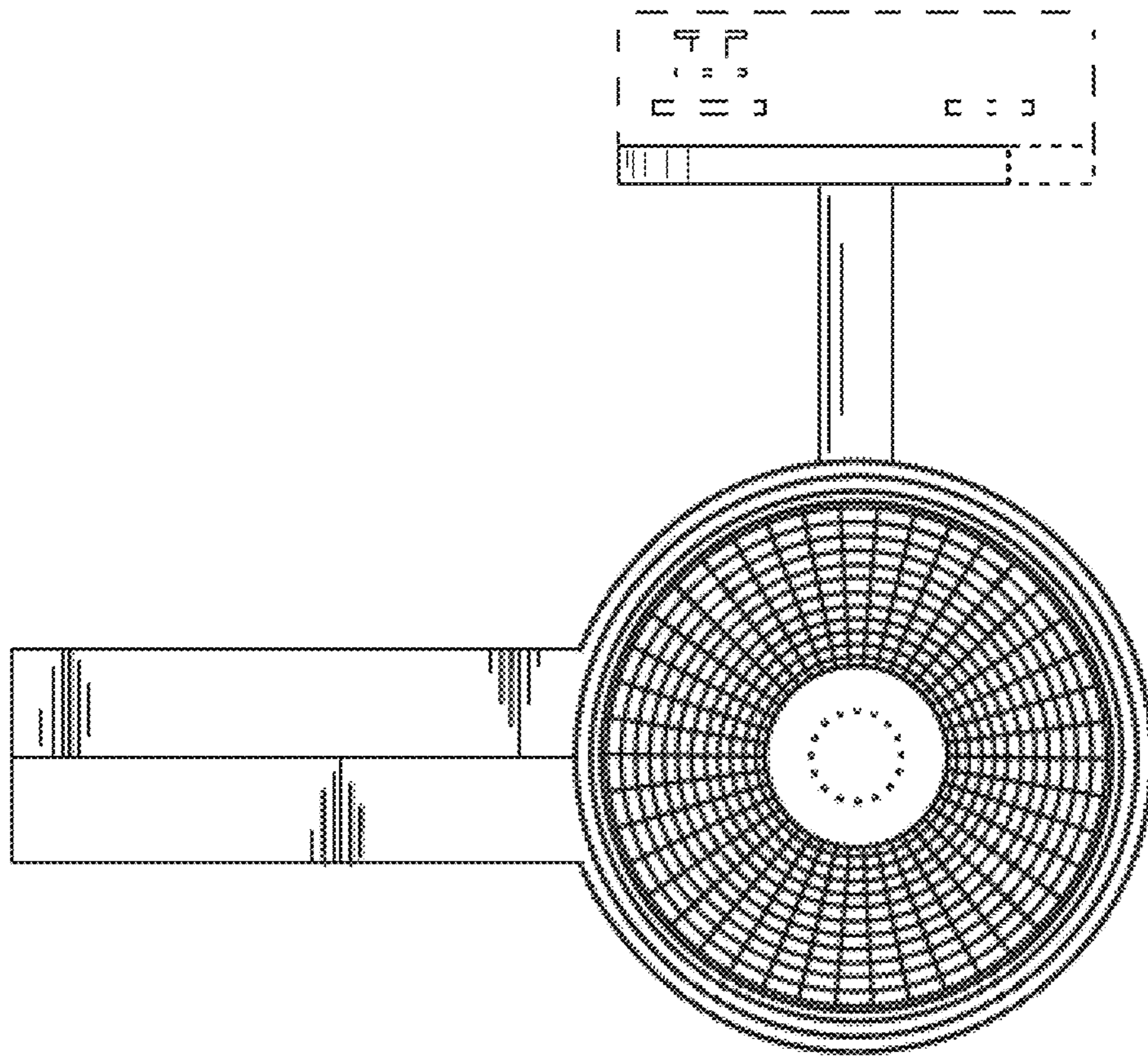


FIG. 6

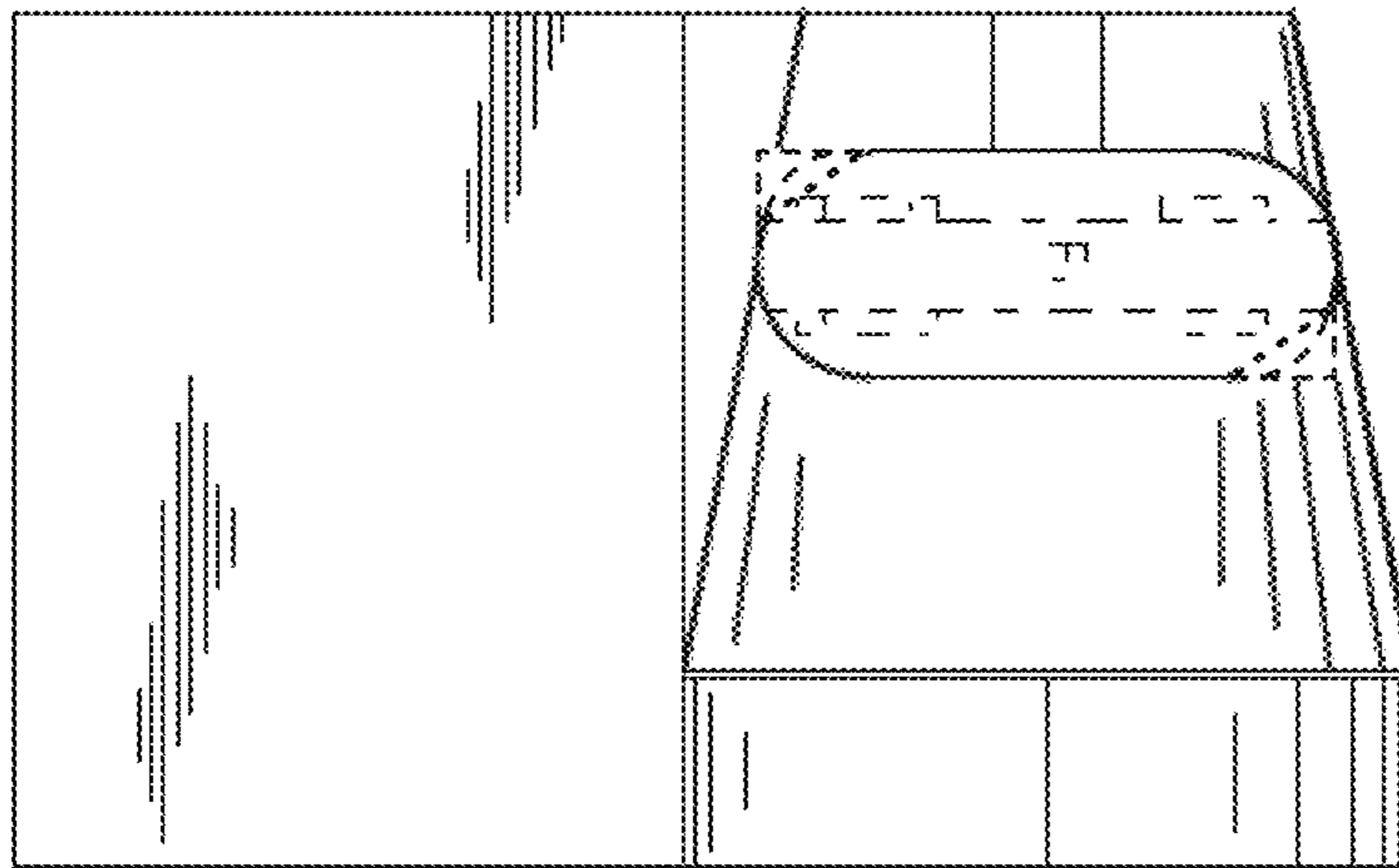


FIG. 7