



US00D747821S

(12) **United States Design Patent**  
**Yoshida et al.**

(10) **Patent No.:** **US D747,821 S**  
(45) **Date of Patent:** **\*\* Jan. 19, 2016**

(54) **REAR LIGHT FOR A MOTOR VEHICLE**

(56) **References Cited**

(71) Applicant: **MAZDA MOTOR CORPORATION**,  
Hiroshima (JP)

U.S. PATENT DOCUMENTS

(72) Inventors: **Atsushi Yoshida**, Hiroshima (JP);  
**Takuya Obatake**, Hiroshima (JP);  
**Masashi Hayashi**, Hiroshima (JP)

D498,013 S \* 11/2004 Pfeiffer ..... D26/28  
D523,976 S \* 6/2006 Pfeiffer ..... D26/28  
D538,452 S \* 3/2007 Pfeiffer ..... D26/28  
D539,450 S \* 3/2007 Pfeiffer ..... D26/28  
D549,363 S \* 8/2007 Pfeiffer ..... D26/28

(73) Assignee: **MAZDA MOTOR CORPORATION**,  
Hiroshima (JP)

\* cited by examiner

(\*\*) Term: **14 Years**

*Primary Examiner* — Marcus Jackson

(21) Appl. No.: **29/511,588**

(74) *Attorney, Agent, or Firm* — Studebaker & Brackett PC

(22) Filed: **Dec. 11, 2014**

(57) **CLAIM**

The ornamental design for a rear light for a motor vehicle, as shown and described.

(30) **Foreign Application Priority Data**

**DESCRIPTION**

Jun. 11, 2014 (JP) ..... D2014-012672

(51) **LOC (10) Cl.** ..... **26-06**

(52) **U.S. Cl.**  
USPC ..... **D26/28**

(58) **Field of Classification Search**  
USPC ..... D26/28-36; 362/459-468, 475-478,  
362/485-487

CPC ..... F21S 48/00; F21S 48/10; F21S 48/115;  
F21S 48/225; F21S 48/1233; F21S 48/1266;  
F21S 48/1388; F21S 48/2268; F21V 21/04

See application file for complete search history.

FIG. 1 is a first perspective view of a rear light for a motor vehicle;

FIG. 2 is a second perspective view thereof;

FIG. 3 is a front view thereof;

FIG. 4 is a rear view thereof;

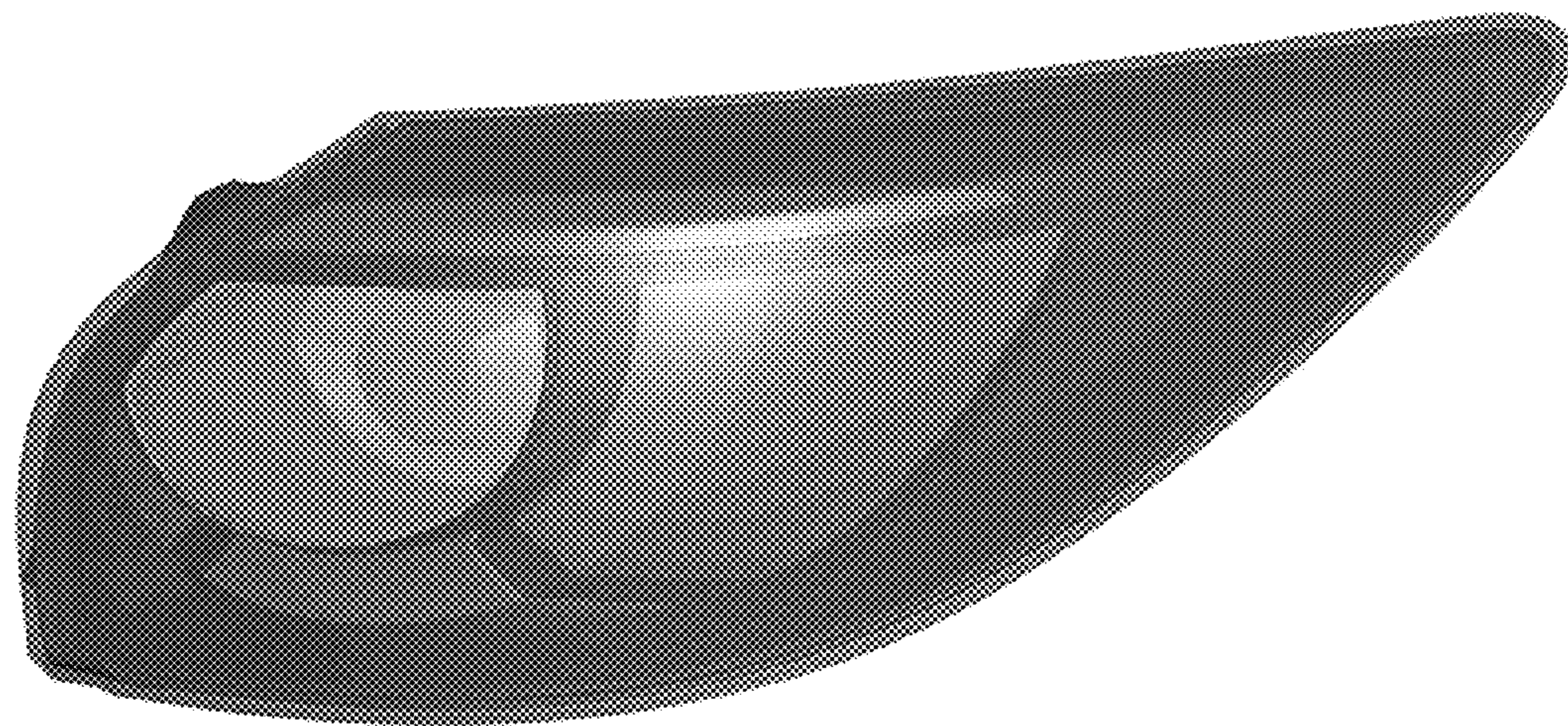
FIG. 5 is a left side view thereof;

FIG. 6 is a right side view thereof;

FIG. 7 is a top view thereof; and,

FIG. 8 is a bottom view thereof.

**1 Claim, 5 Drawing Sheets**



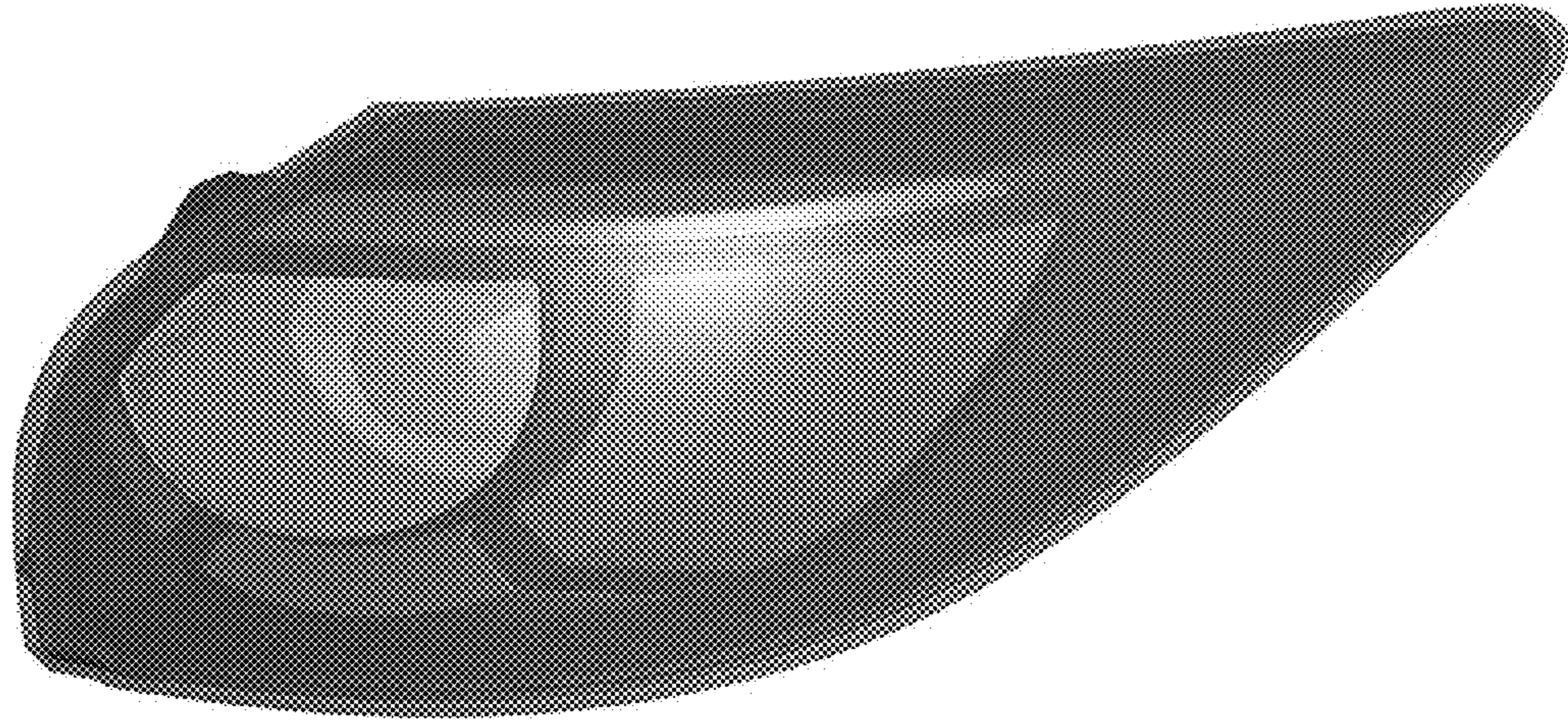


FIG. 1

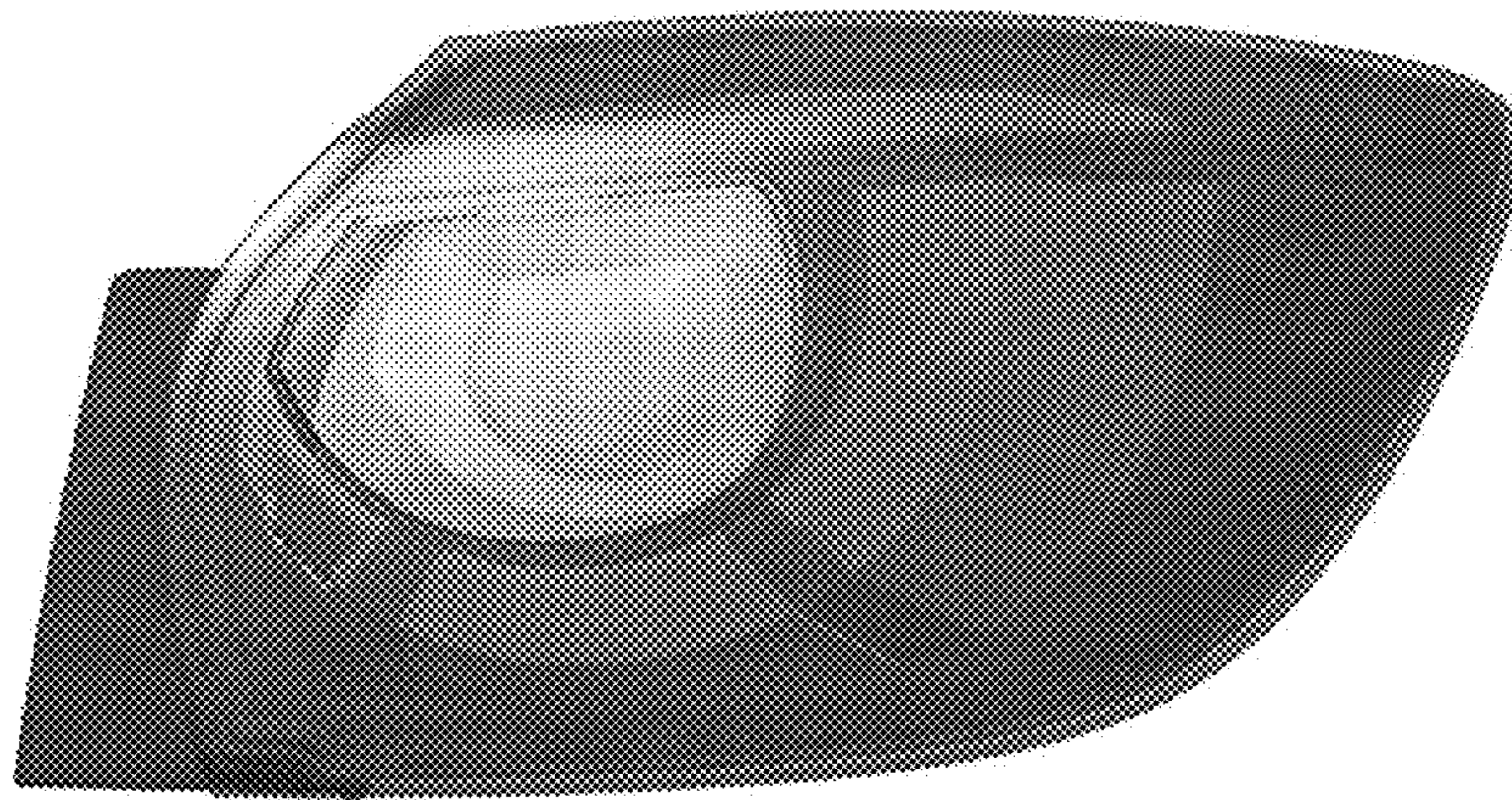


FIG. 2

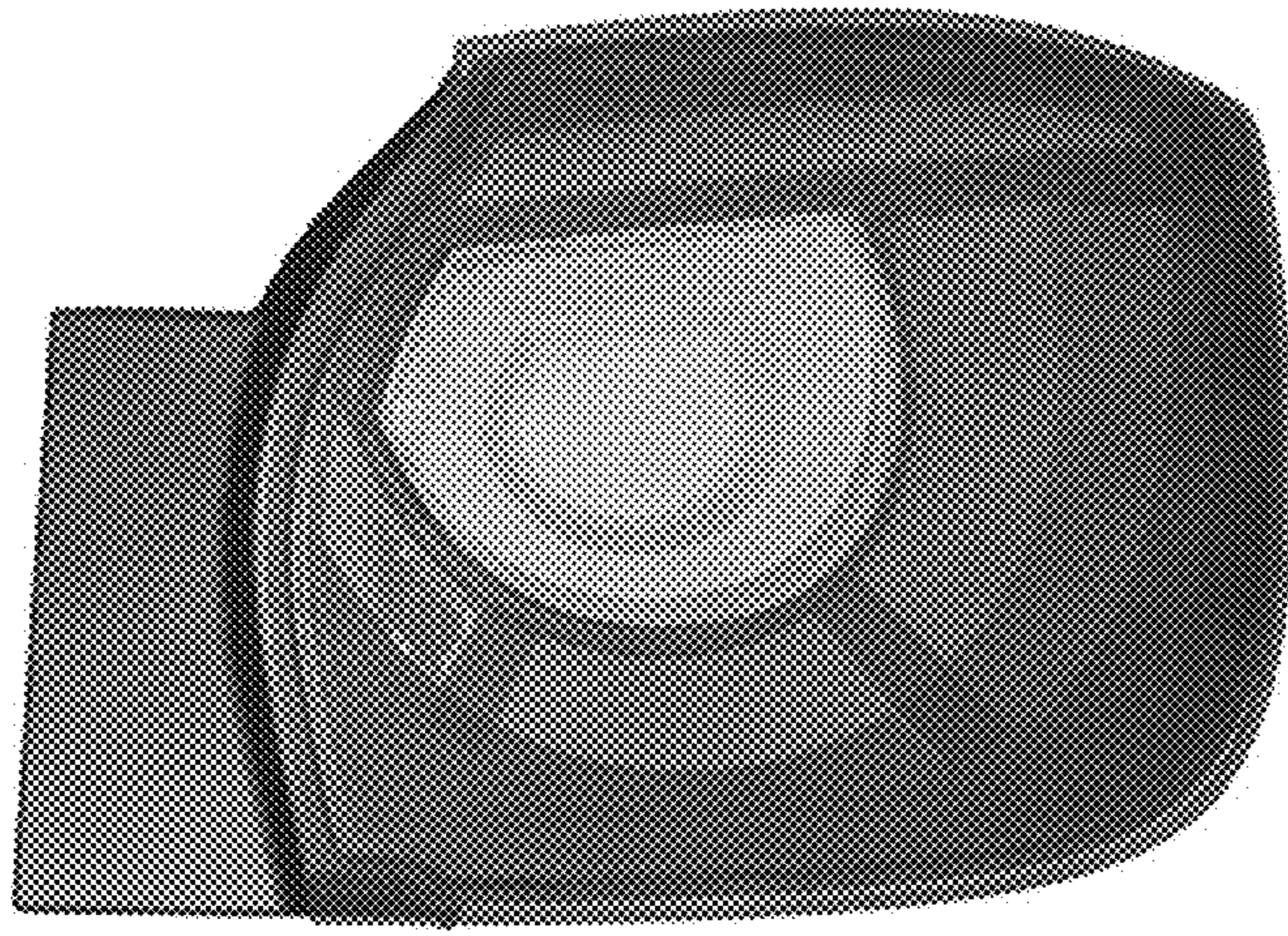


FIG. 3



FIG. 4

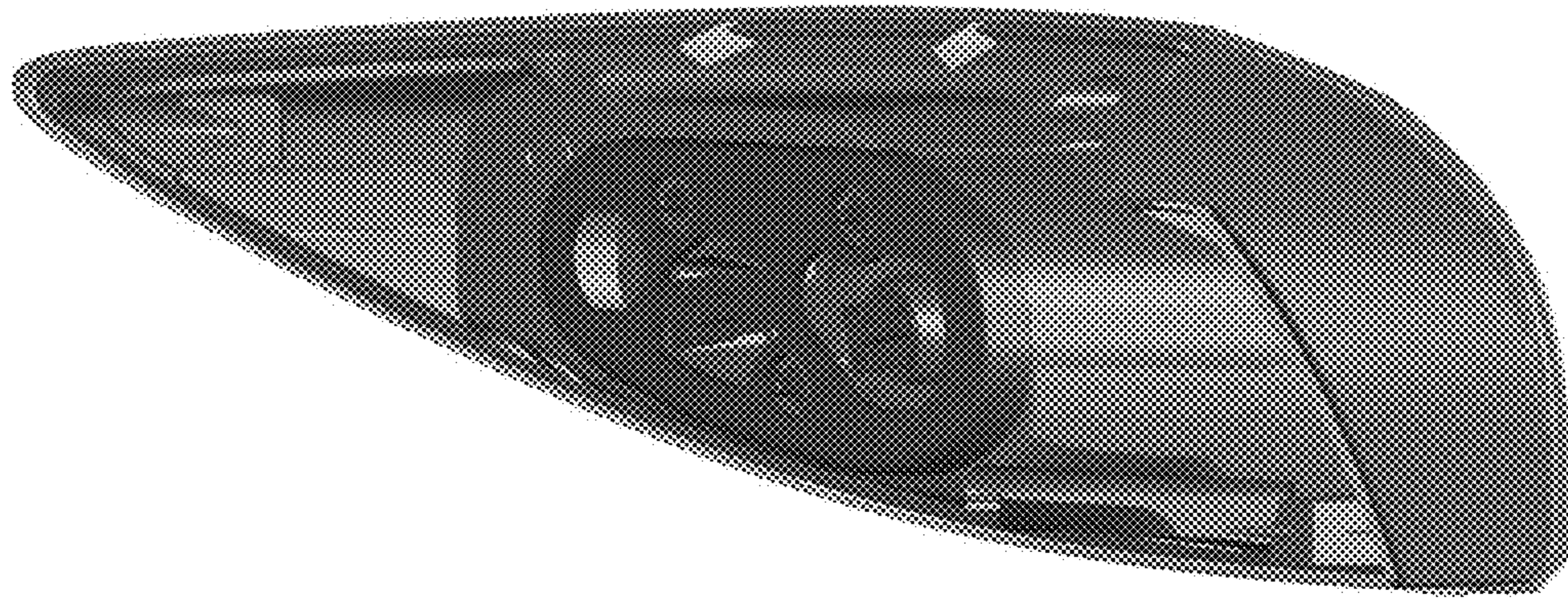


FIG.5

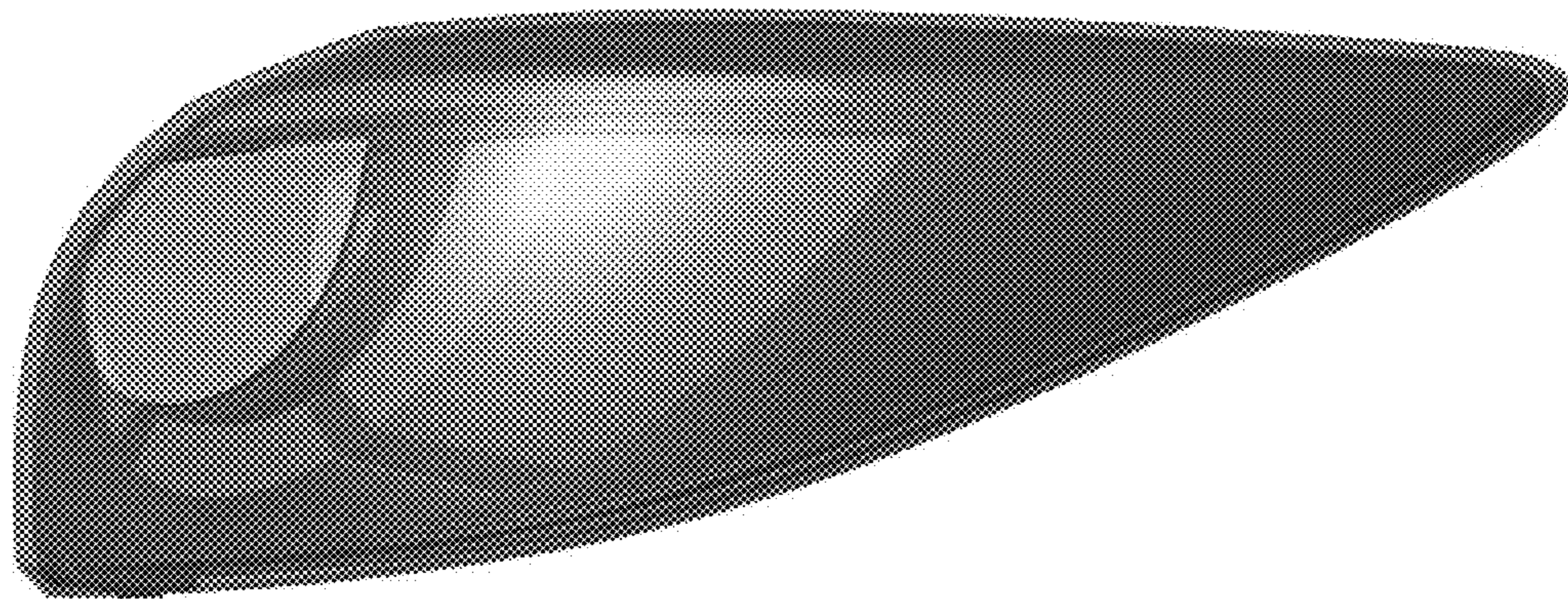


FIG.6

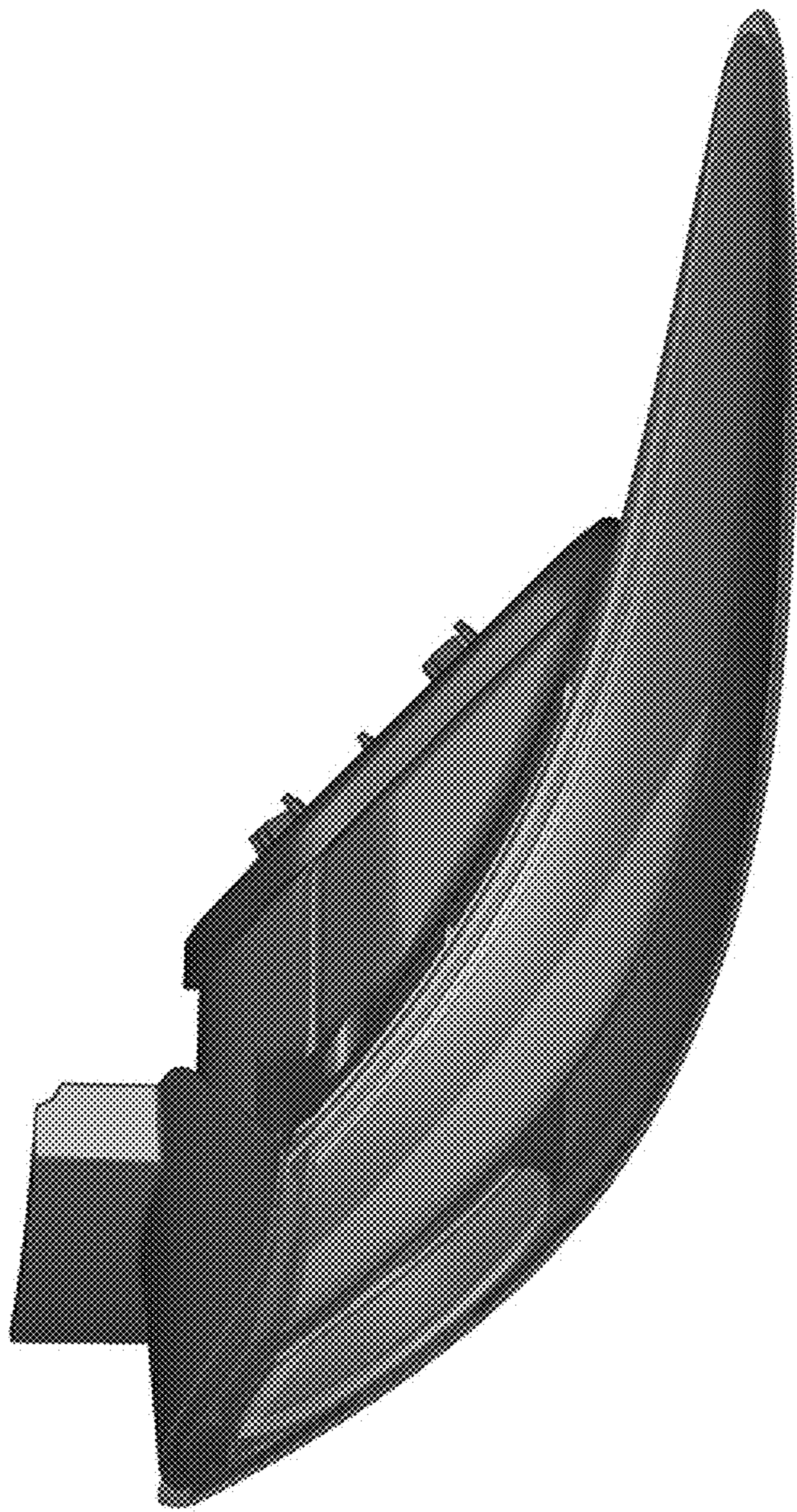


FIG.7

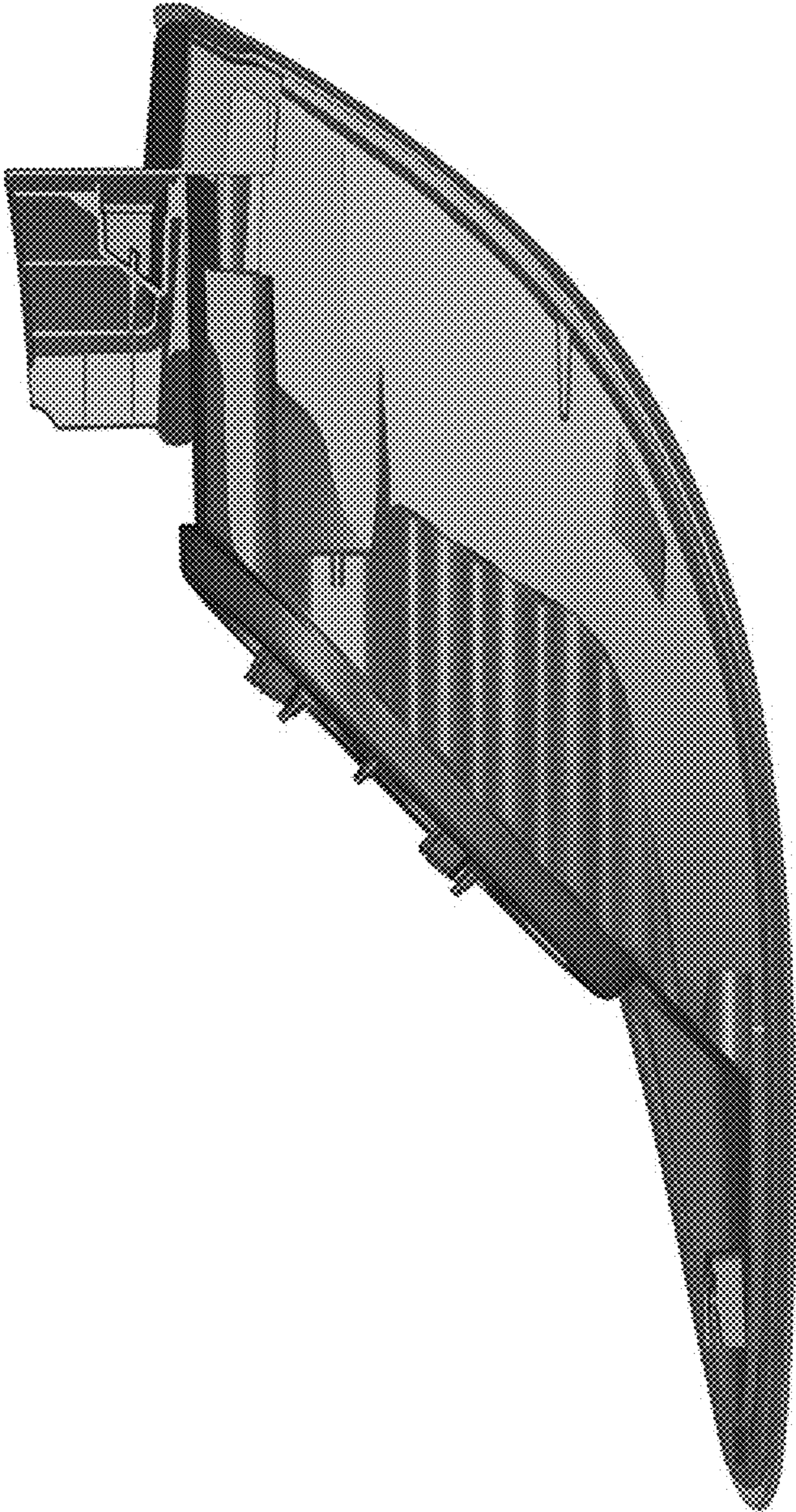


FIG.8