



US00D747820S

(12) **United States Design Patent**
Sato et al.

(10) **Patent No.:** **US D747,820 S**
(45) **Date of Patent:** **** Jan. 19, 2016**

(54) **HEADLIGHT FOR A MOTOR VEHICLE**

(56) **References Cited**

(71) Applicant: **MAZDA MOTOR CORPORATION**,
Hiroshima (JP)

U.S. PATENT DOCUMENTS

(72) Inventors: **Tamami Sato**, Hiroshima (JP); **Keisuke Watanabe**, Hiroshima (JP); **Yasunori Kawano**, Hiroshima (JP)

D538,956 S *	3/2007	Ishii	D26/28
D544,614 S *	6/2007	Markefka	D26/28
D561,358 S *	2/2008	Tachibana	D26/28
D570,007 S *	5/2008	Hsu	D26/28
D582,587 S *	12/2008	Yang	D26/28
D593,232 S *	5/2009	Koman	D26/28
D635,694 S *	4/2011	Yang	D26/28

(73) Assignee: **MAZDA MOTOR CORPORATION**,
Hiroshima (JP)

* cited by examiner

(**) Term: **14 Years**

Primary Examiner — Marcus Jackson

(21) Appl. No.: **29/511,586**

(74) *Attorney, Agent, or Firm* — Studebaker & Brackett PC

(22) Filed: **Dec. 11, 2014**

(57) **CLAIM**

The ornamental design for a headlight for a motor vehicle, as shown and described.

(30) **Foreign Application Priority Data**

DESCRIPTION

Jun. 11, 2014 (JP) D2014-012671

(51) **LOC (10) Cl.** **26-06**

(52) **U.S. Cl.**
USPC **D26/28**

(58) **Field of Classification Search**
USPC D26/28-36; 362/459-468, 475-478,
362/485-487
CPC F21S 48/00; F21S 48/10; F21S 48/115;
F21S 48/225; F21S 48/1233; F21S 48/1266;
F21S 48/1388; F21S 48/2268; F21V 21/04
See application file for complete search history.

FIG. 1 is a first perspective view of a headlight for a motor vehicle;

FIG. 2 is a second perspective view thereof;

FIG. 3 is a front view thereof;

FIG. 4 is a rear view thereof;

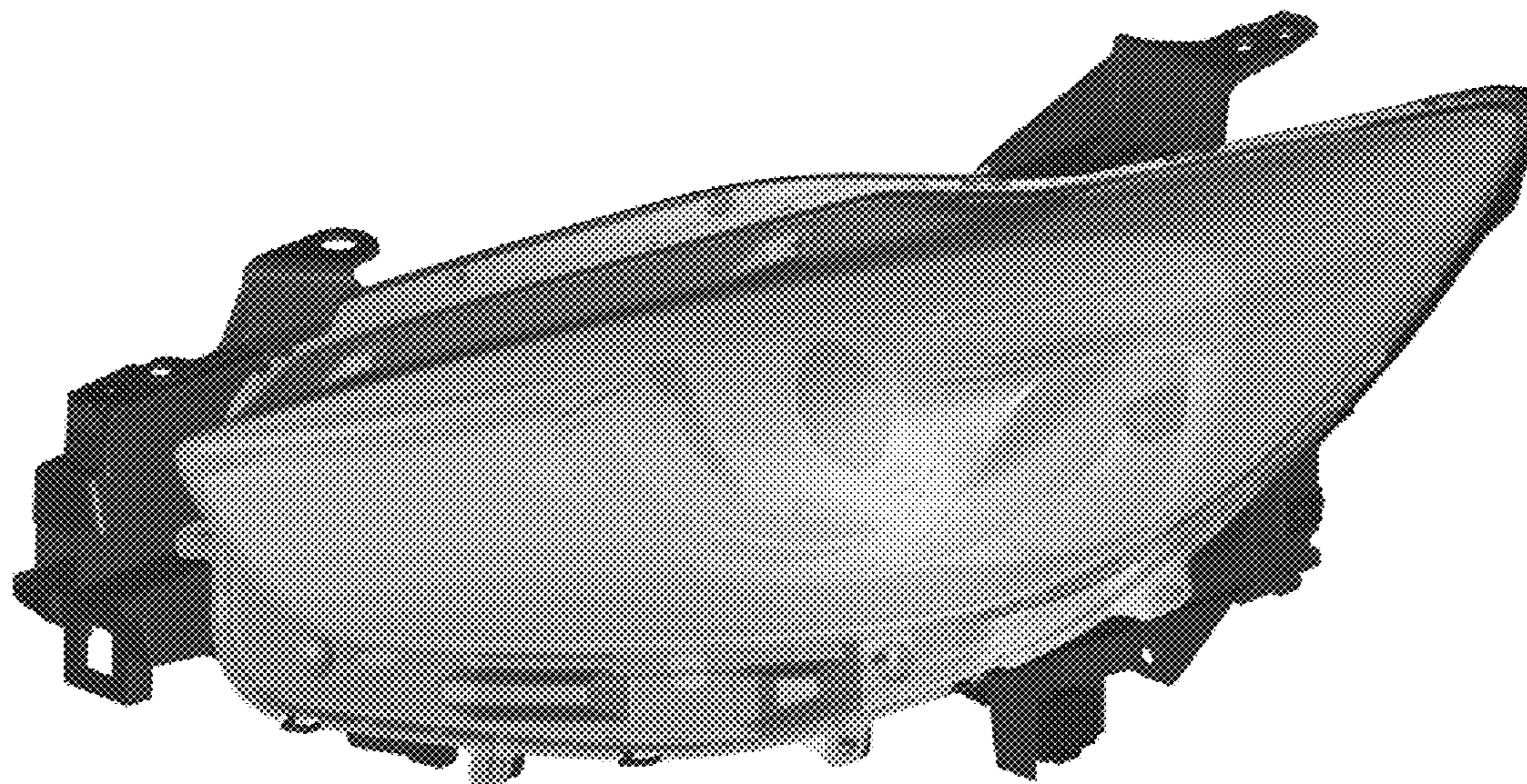
FIG. 5 is a left side view thereof;

FIG. 6 is a right side view thereof;

FIG. 7 is a top view thereof; and,

FIG. 8 is a bottom view thereof.

1 Claim, 4 Drawing Sheets



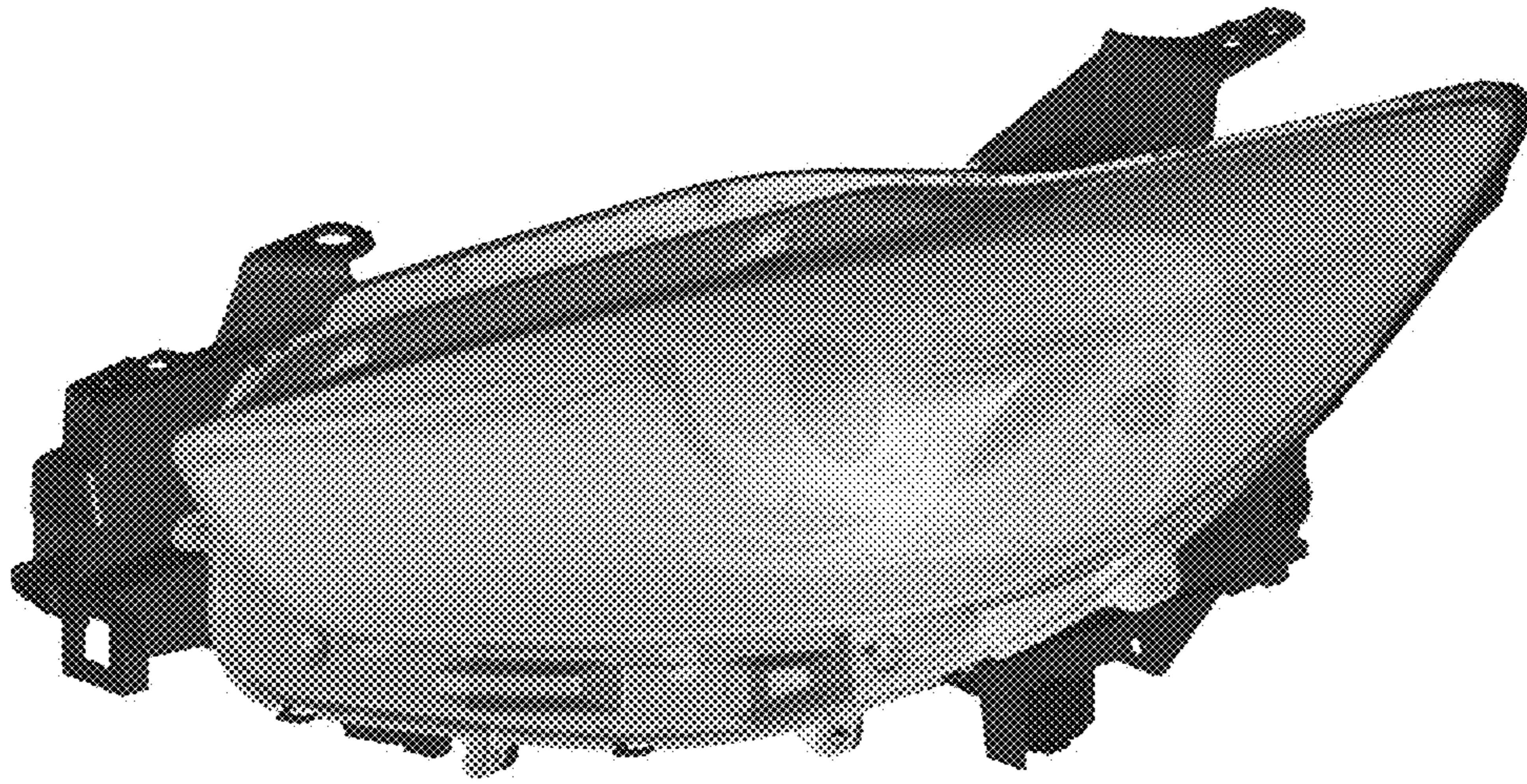


FIG. 1

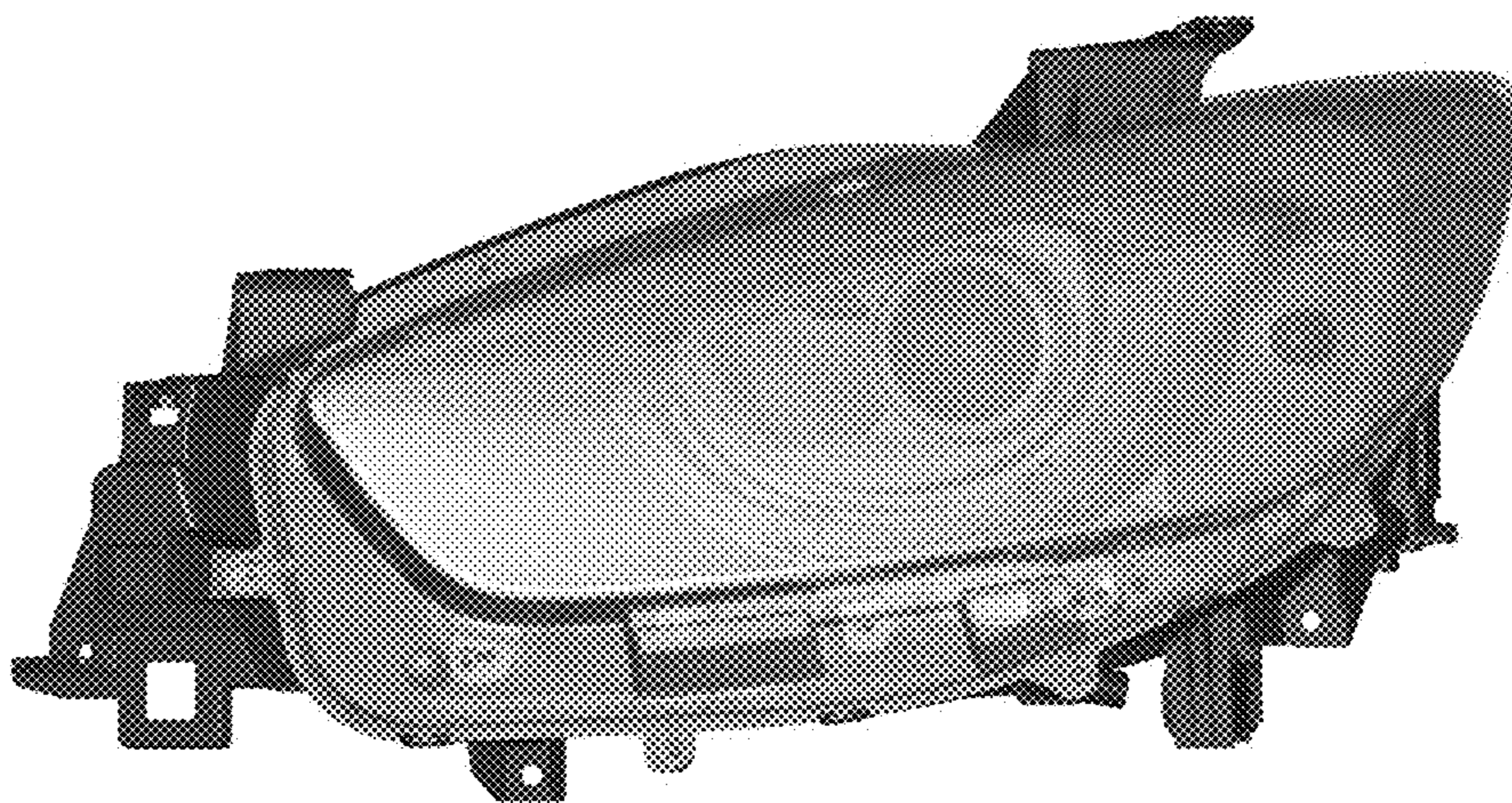


FIG. 2

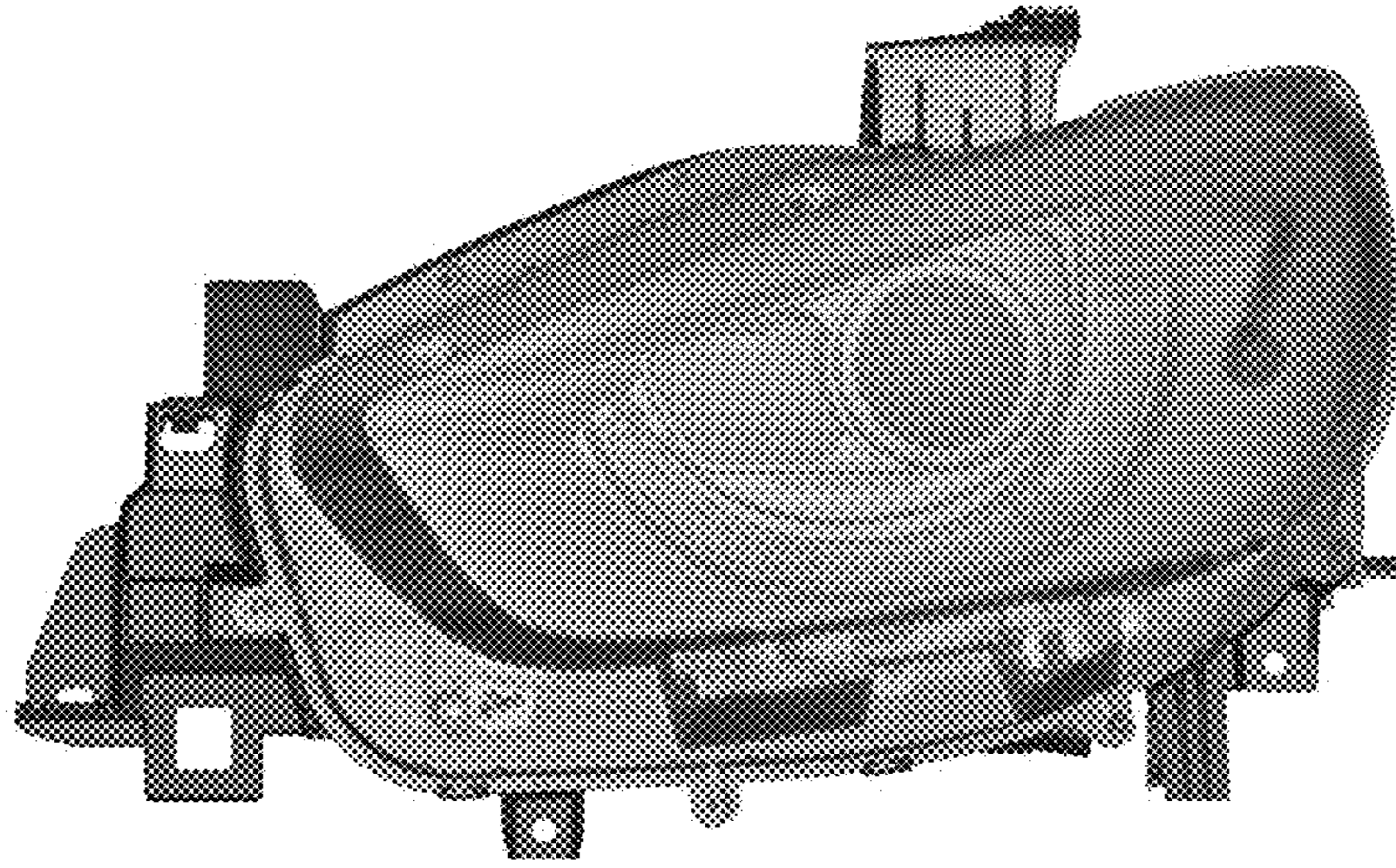


FIG.3

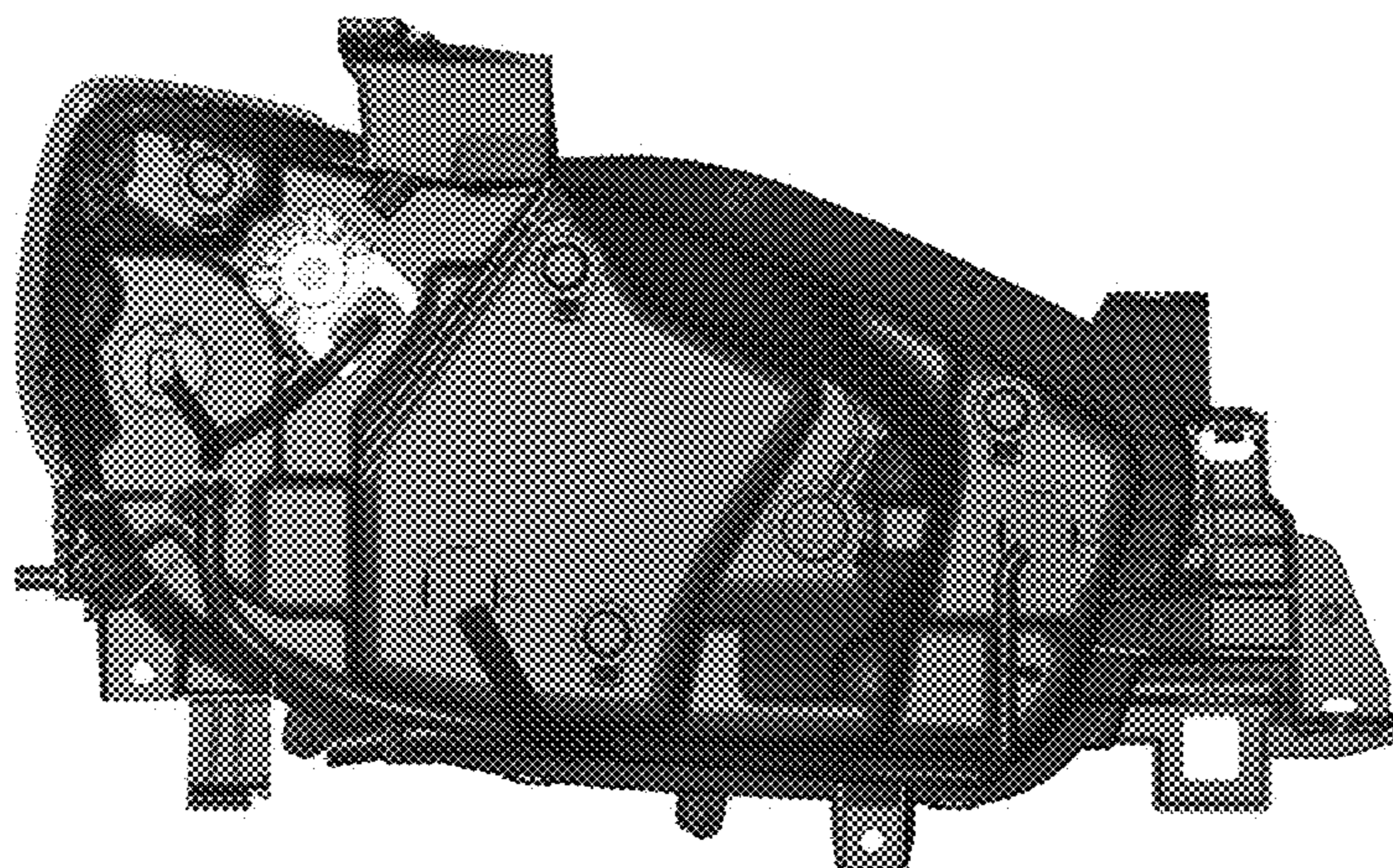


FIG.4

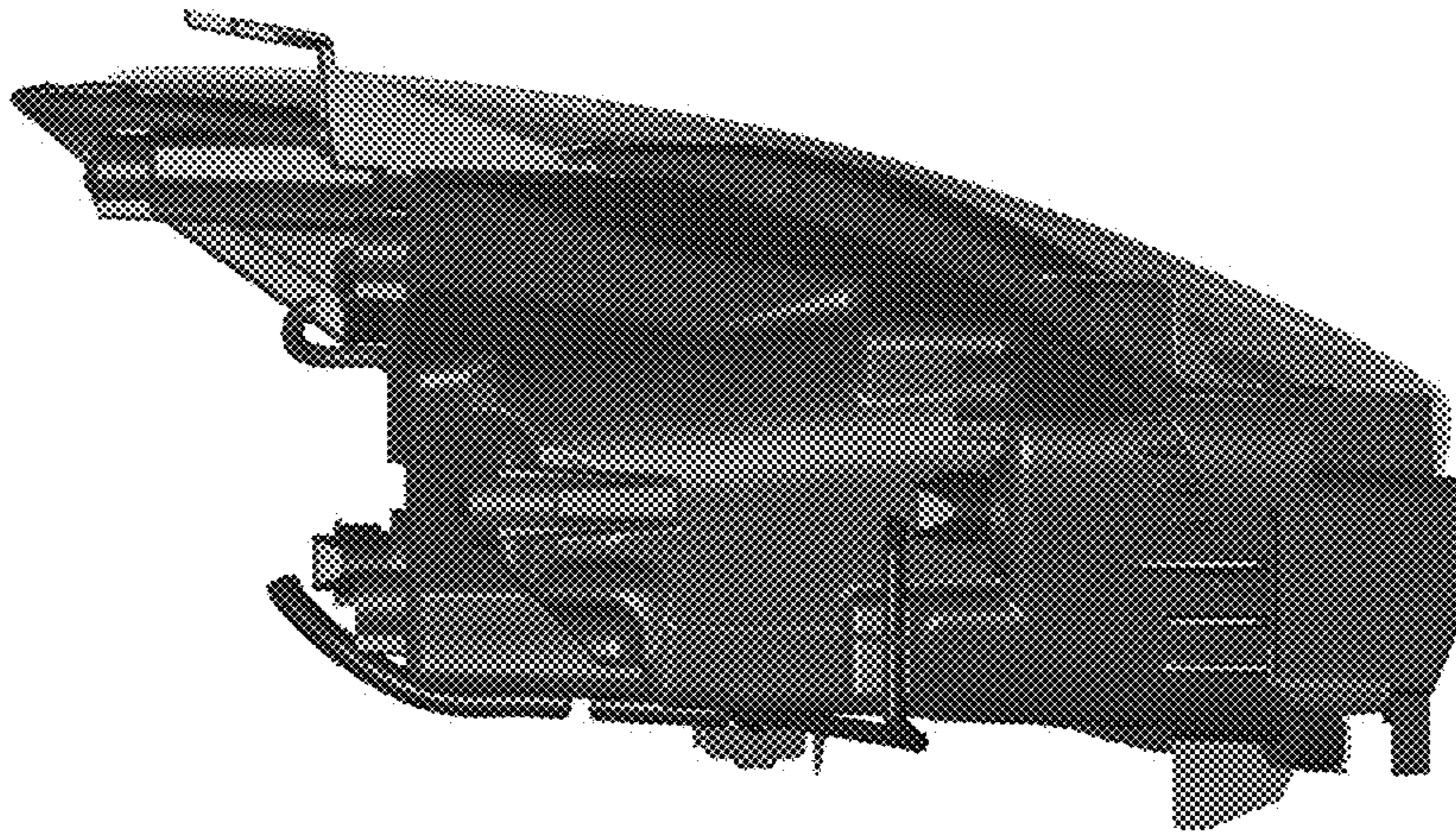


FIG. 5

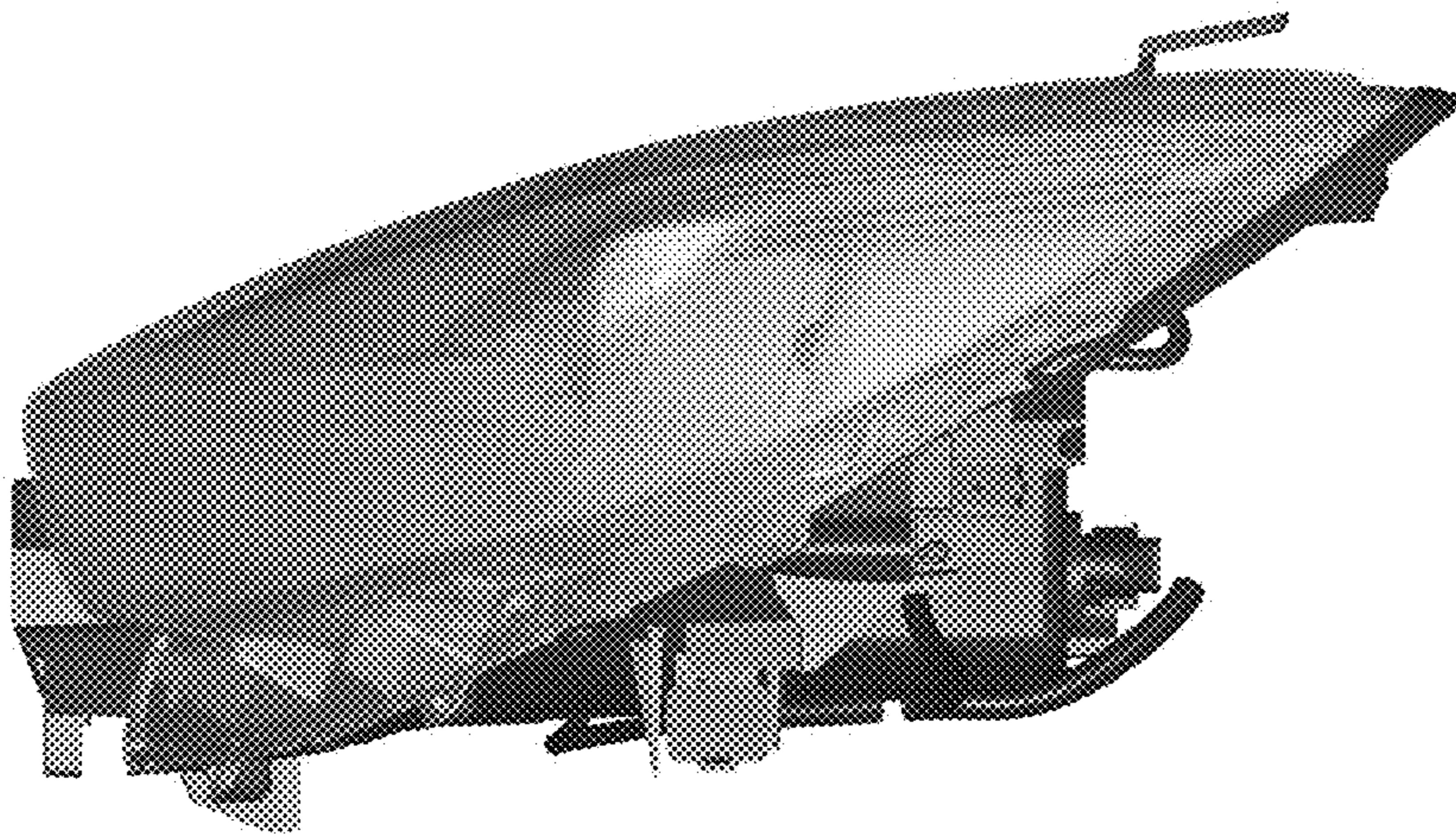


FIG. 6

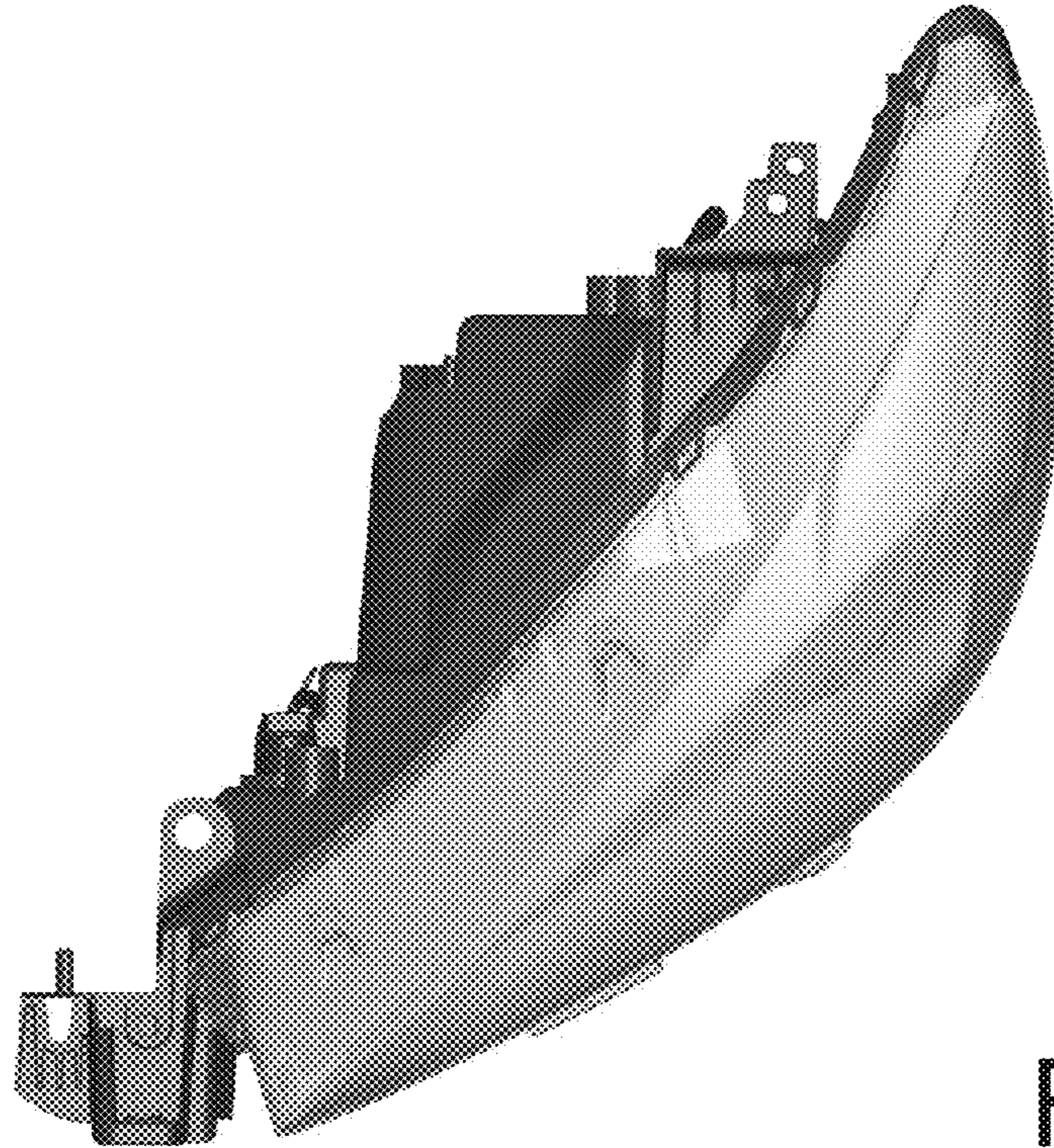


FIG. 7

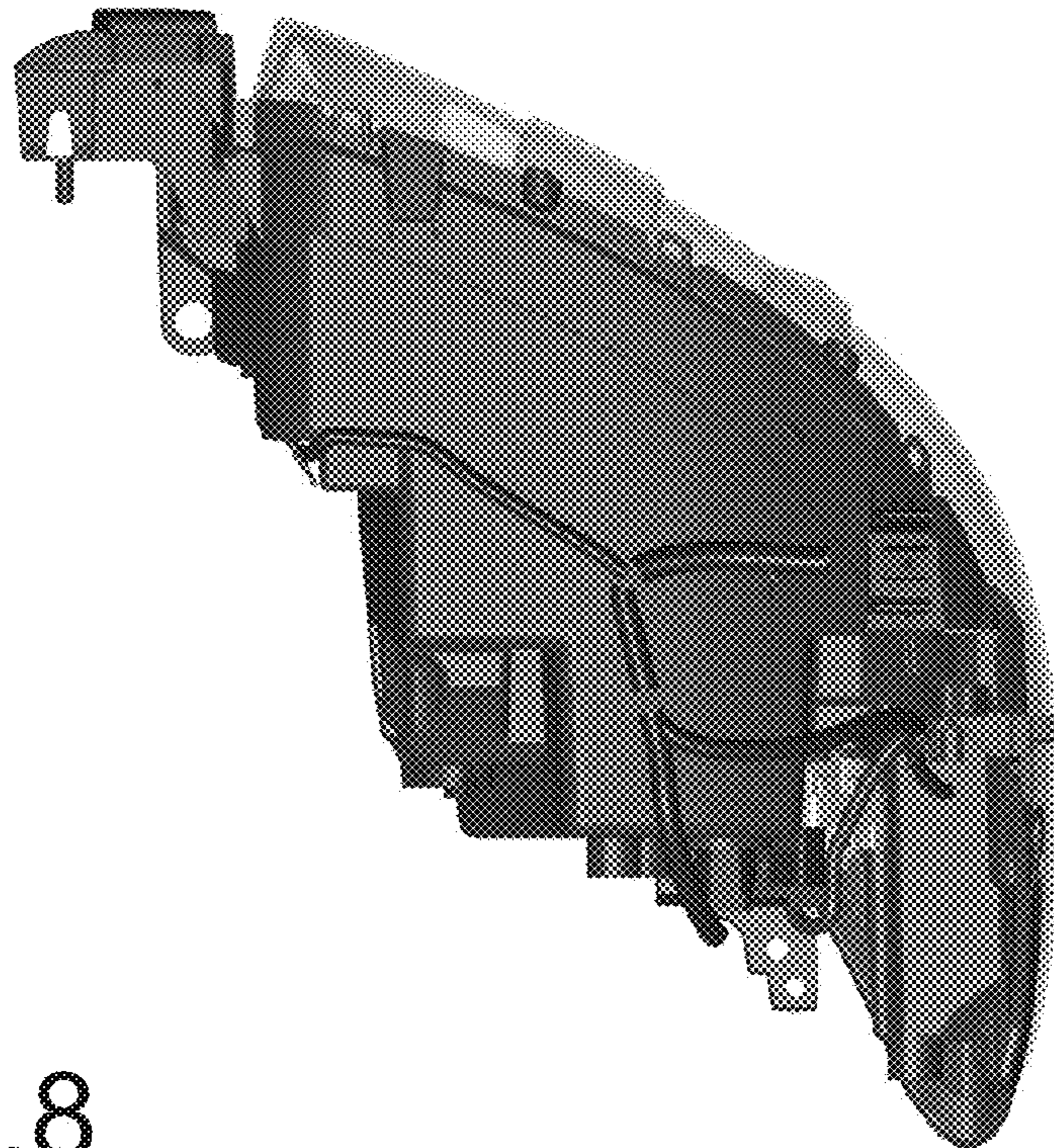


FIG. 8