



US00D747819S

(12) **United States Design Patent**
Thole et al.

(10) **Patent No.:** **US D747,819 S**
(45) **Date of Patent:** **** Jan. 19, 2016**

(54) **VEHICLE FRONT HEADLAMP**
(71) Applicant: **GM GLOBAL TECHNOLOGY OPERATIONS LLC**, Detroit, MI (US)
(72) Inventors: **Louis D. Thole**, Grosse Pointe Park, MI (US); **Tyler L. H. Moffett**, Detroit, MI (US); **Warrack N. Leach**, Brunswick East (AU)

7,758,218 B2 * 7/2010 Mochizuki et al. 362/465
8,287,166 B2 * 10/2012 Tanaka et al. 362/538
D674,936 S * 1/2013 Lai D26/28
D683,057 S 5/2013 Aikawa et al.
D683,487 S 5/2013 Scheinhutte et al.
D683,488 S 5/2013 Scheinhutte et al.
D683,875 S 6/2013 Platto et al.
D714,979 S * 10/2014 Lai D26/28
D717,982 S * 11/2014 Lai D26/28
D718,479 S * 11/2014 Lai D26/28

(73) Assignee: **GM Global Technology Operations LLC**, Detroit, MI (US)

(**) Term: **14 Years**

(21) Appl. No.: **29/473,113**

(22) Filed: **Nov. 19, 2013**

(51) **LOC (10) Cl.** **26-06**

(52) **U.S. Cl.**
USPC **D26/28**

(58) **Field of Classification Search**
USPC D26/28-36; 362/459-468, 475-478, 362/485-487
CPC .. B62J 6/02; B62J 2099/0033; B60Q 1/0047; B60Q 1/04; B60Q 1/0408; B60Q 1/0466; B60Q 1/24; B60Q 1/26; B60Q 1/28; B60Q 1/0041; F21S 48/2212; F21S 48/1757; F21S 48/10; F21V 15/01
See application file for complete search history.

(56) **References Cited**

U.S. PATENT DOCUMENTS

D538,954 S * 3/2007 Pfeiffer D26/28
D552,768 S * 10/2007 Leclercq D26/28

OTHER PUBLICATIONS

Loeb, Niels, Vehicle Headlight, Design U.S. Appl. No. 29/457,759, filed Jun. 12, 2013, 6 pages.

Loeb, Niels, Vehicle Headlight, Design U.S. Appl. No. 29/457,686, filed Jun. 12, 2013, 5 pages.

* cited by examiner

Primary Examiner — Wan Laymon

(74) *Attorney, Agent, or Firm* — Reising Ethington P.C.

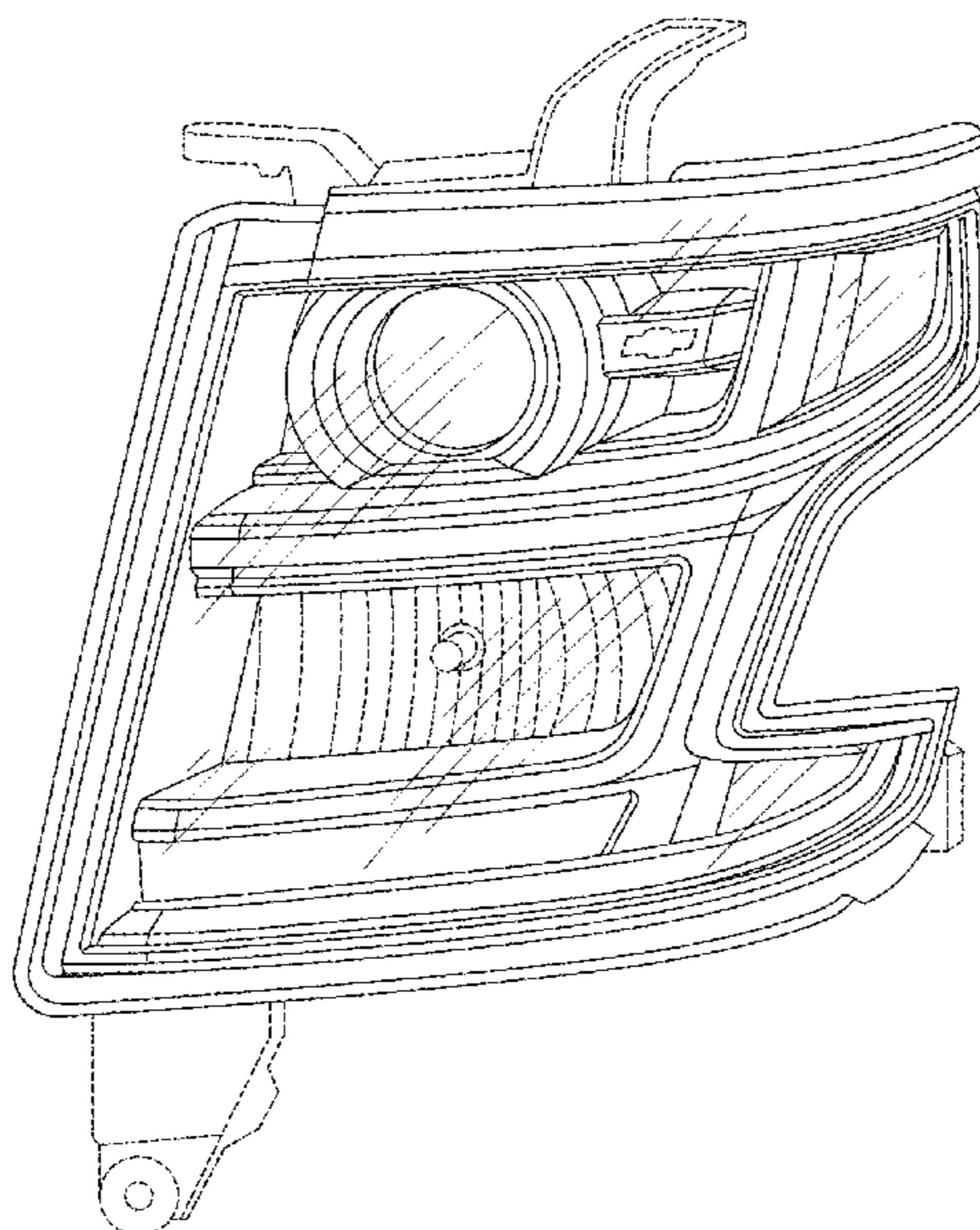
(57) **CLAIM**

The ornamental design for a vehicle front headlamp, as shown and described.

DESCRIPTION

FIG. 1 is a perspective view of a vehicle front headlamp; FIG. 2 is a front view of the vehicle front headlamp; FIG. 3 is a top view of the vehicle front headlamp; and, FIG. 4 is a side view of the vehicle front headlamp. The broken lines shown in the figures are included for the purpose of illustrating portions of the vehicle front headlamp and form no part of the claimed design.

1 Claim, 2 Drawing Sheets



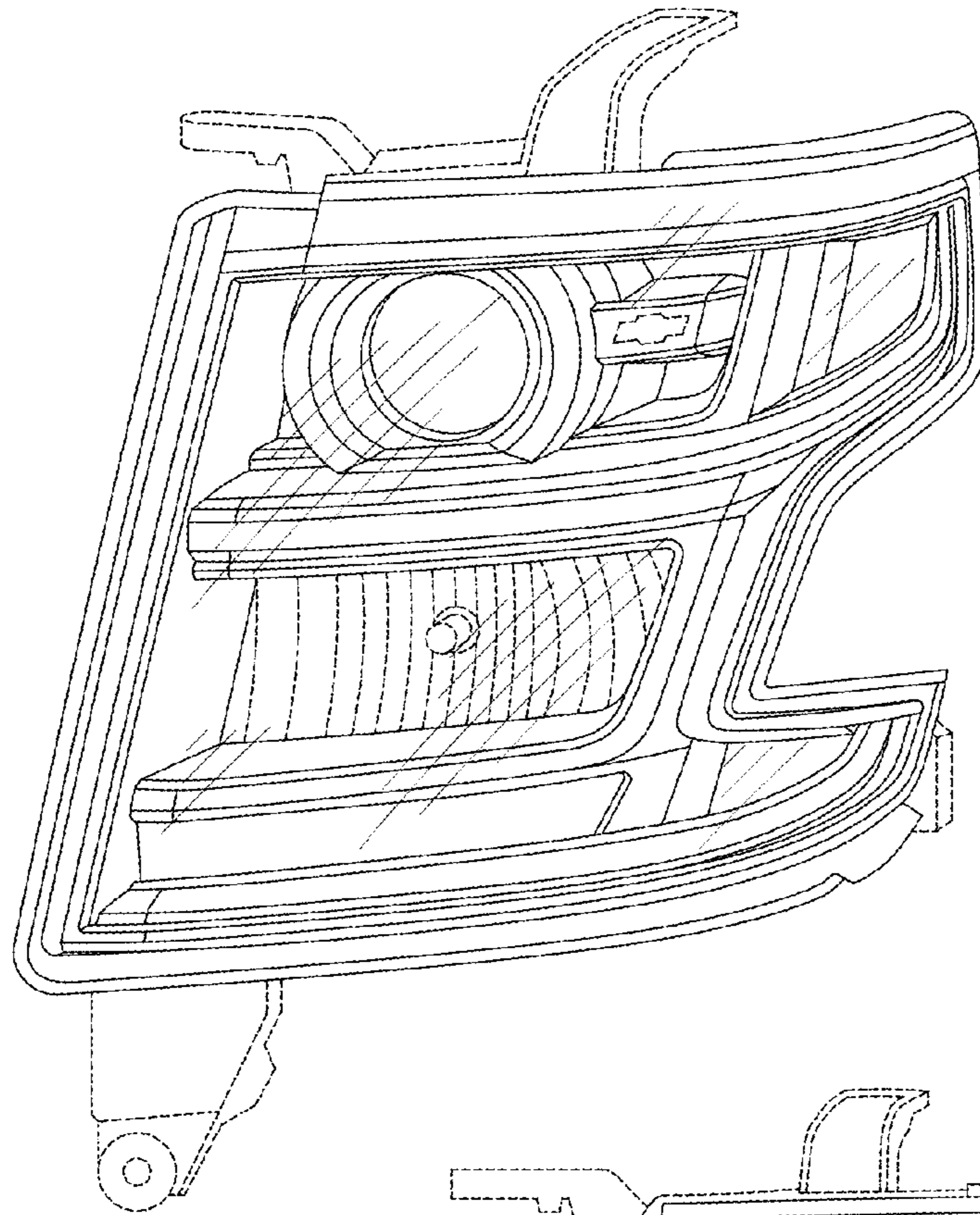


Fig-1

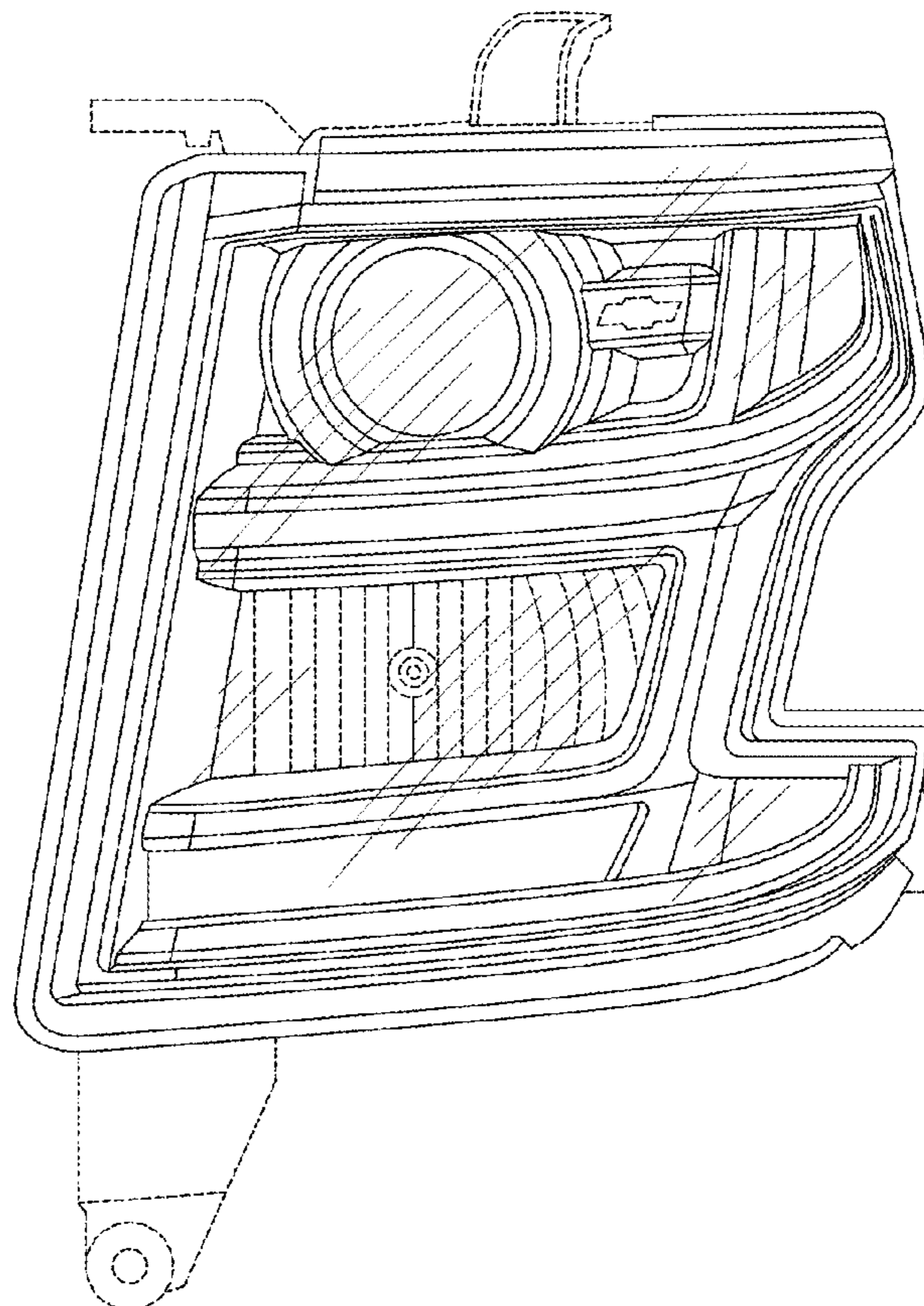


Fig-2

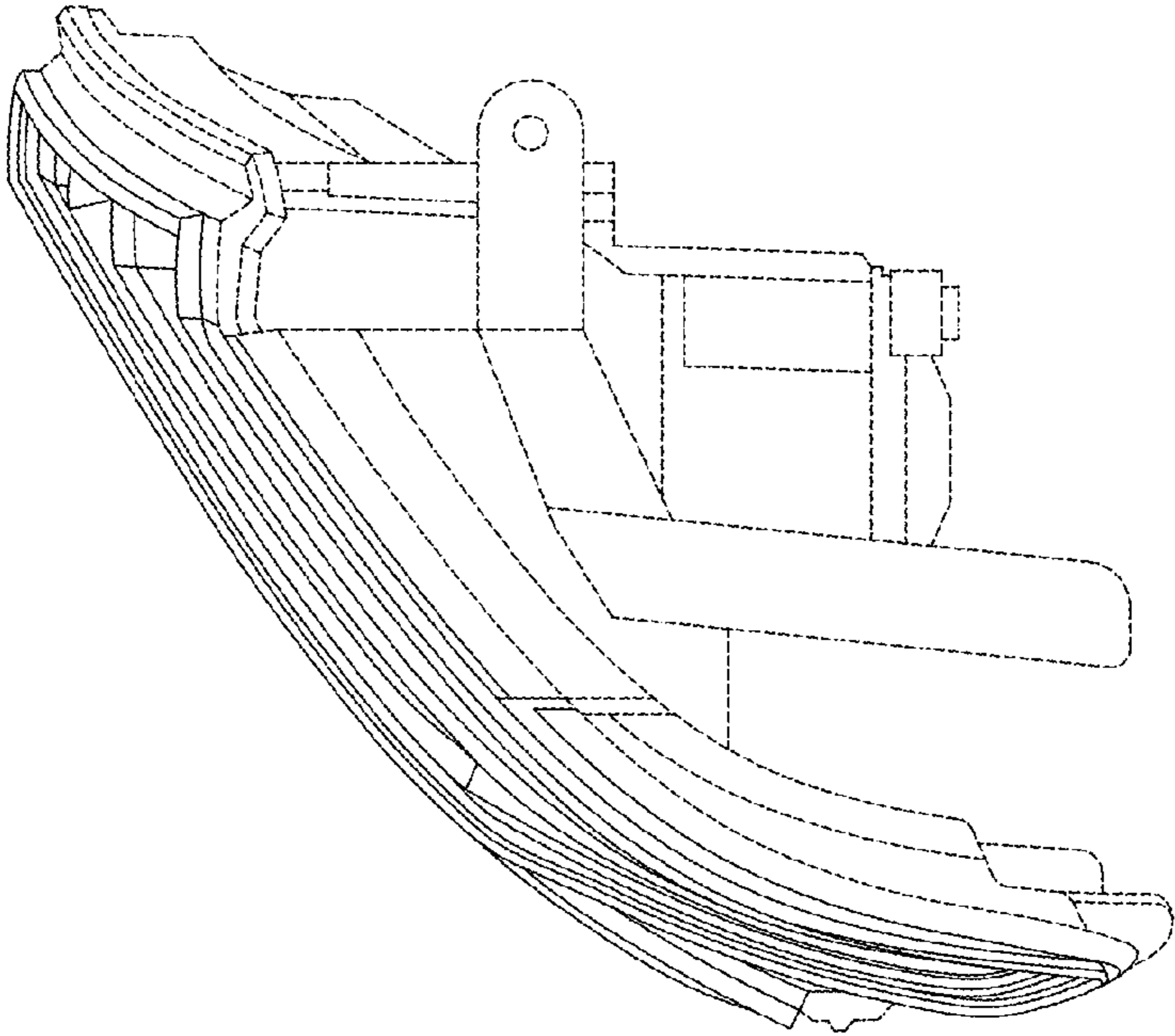


Fig-3

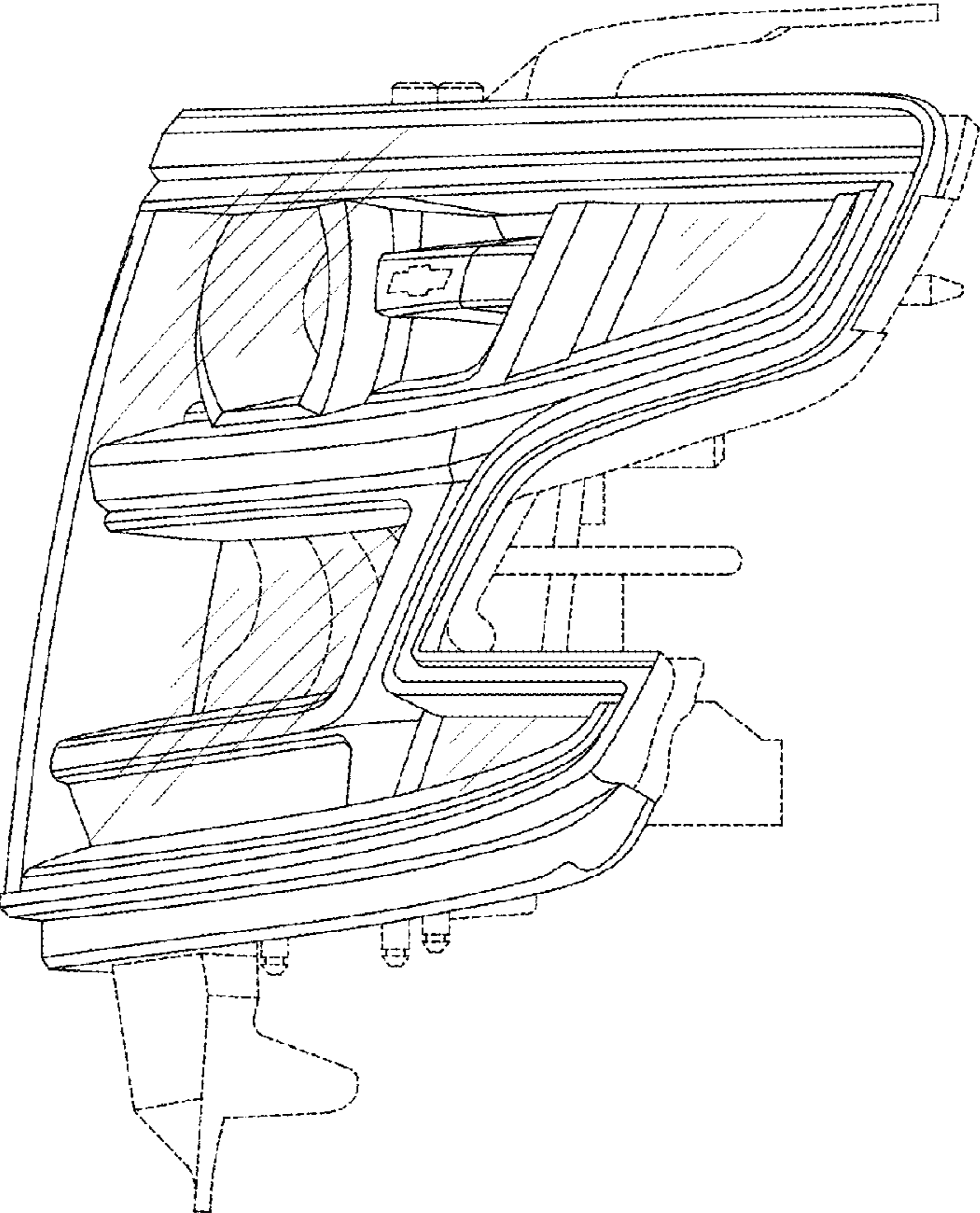


Fig-4