



US00D747813S

(12) **United States Design Patent**
Onishi et al.

(10) **Patent No.:** **US D747,813 S**
(45) **Date of Patent:** **** Jan. 19, 2016**

(54) **BOTTLE**

(71) Applicant: **Beckman Coulter, Inc.**, Brea, CA (US)

(72) Inventors: **Hiroyuki Onishi**, Shizuoka (JP);
Masato Kayahara, Shizuoka (JP);
Hiroshi Suzuki, Shizuoka (JP);
Ryusuke Furuya, Shizuoka (JP); **Naoki Mukaiyama**, Shizuoka (JP); **Michael Cooney**, County Clare (IE); **Marcus O'Neill**, County Clare (IE); **Sean O'Mahony**, County Clare (IE)

(73) Assignees: **Beckman Coulter, Inc.**, Brea, CA (US);
DHR Technologies Ireland Limited (DTIL), Dublin (IE)

(**) Term: **14 Years**

(21) Appl. No.: **29/491,994**

(22) Filed: **May 27, 2014**

(51) **LOC (10) Cl.** **24-02**

(52) **U.S. Cl.**
USPC **D24/224**

(58) **Field of Classification Search**
USPC D24/216, 222–226, 231, 232, 121;
D10/81, 96; D9/503, 504, 505, 520,
D9/529, 549, 523–524; 422/99, 102, 547;
435/288.1, 288.2, 288.4, 304.1, 305.1,
435/305.3, 305.4

See application file for complete search history.

(56) **References Cited**

U.S. PATENT DOCUMENTS

D287,638 S *	1/1987	Moore et al.	D24/224
D290,400 S *	6/1987	Tong	D24/224
D291,730 S *	9/1987	Kelln et al.	D24/224
D296,668 S *	7/1988	Stavish	D9/520
5,152,965 A *	10/1992	Fisk et al.	422/547
D342,140 S *	12/1993	Sakagami et al.	D9/572
D358,219 S *	5/1995	Ushikubo	D24/224
D363,354 S *	10/1995	Stark et al.	D9/524
D380,553 S *	7/1997	Riekkinen	D24/224

D406,351 S *	3/1999	Yamazaki et al.	D9/523
D407,826 S *	4/1999	Yamazaki et al.	D24/224
D433,149 S *	10/2000	Fassbind et al.	D24/224
D502,268 S *	2/2005	Sakai et al.	D24/224
D632,402 S *	2/2011	Sattler et al.	D24/224
D634,441 S *	3/2011	Sattler et al.	D24/224
D642,260 S *	7/2011	Hendricks	D24/121
D644,741 S *	9/2011	Sattler et al.	D24/224

* cited by examiner

Primary Examiner — T. Chase Nelson

Assistant Examiner — Mark Cavanna

(74) *Attorney, Agent, or Firm* — K&L Gates LLP; Louis C. Cullman; Brian J. Novak

(57) **CLAIM**

The ornamental design for a bottle, as shown and described.

DESCRIPTION

FIG. 1 is a perspective view of a bottle showing our new design with the internal pipe portion shown in the bottle.

FIG. 2 is a rear perspective view of the bottle in FIG. 1 with the internal pipe portion shown in the bottle.

FIG. 3 is a bottom rear perspective view of the bottle in FIG. 1 with the internal pipe portion shown in the bottle.

FIG. 4 is a first side view of the bottle in FIG. 1 with the internal pipe portion shown in the bottle.

FIG. 5 is a second side view of the bottle in FIG. 1 with the internal pipe portion shown in the bottle.

FIG. 6 is a rear view of the bottle in FIG. 1 with the internal pipe portion shown in the bottle.

FIG. 7 is a front view of the bottle in FIG. 1 with the internal pipe portion shown in the bottle.

FIG. 8 is a top view of the bottle in FIG. 1 with the internal pipe portion shown in the bottle.

FIG. 9 is a bottom view of the bottle in FIG. 1 with the internal pipe portion shown in the bottle.

FIG. 10 is an exploded reduced perspective view of the bottle in FIG. 1 with the internal pipe portion shown out of the bottle.

FIG. 11 is another perspective view of the internal pipe portion shown in FIG. 10 with the pipe portion shown separately for clarity of illustration.

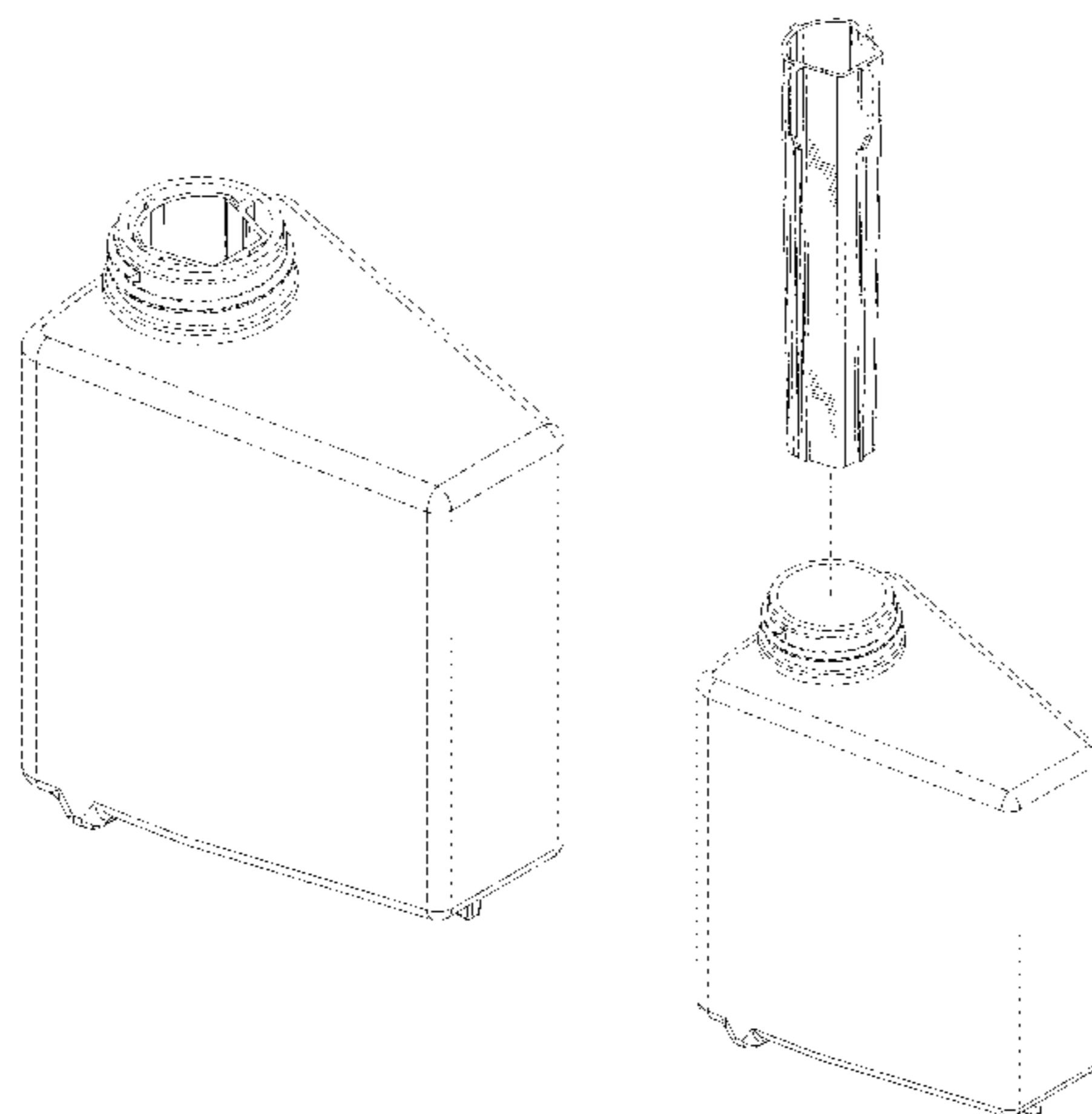


FIG. 12 is a rear perspective view of the internal pipe of FIG. 10 with the pipe portion shown separately for clarity of illustration.

FIG. 13 is a bottom perspective view of the internal pipe of FIG. 10 with the pipe portion shown separately for clarity of illustration.

FIG. 14 is a first side view of the internal pipe of FIG. 10 with the pipe portion shown separately for clarity of illustration.

FIG. 15 is a second side view of the internal pipe of FIG. 10 with the pipe portion shown separately for clarity of illustration.

FIG. 16 is a front view of the internal pipe of FIG. 10 with the pipe portion shown separately for clarity of illustration.

FIG. 17 is a rear view of the internal pipe of FIG. 10 with the pipe portion shown separately for clarity of illustration.

FIG. 18 is a top view of the internal pipe of FIG. 10 with the pipe portion shown separately for clarity of illustration; and, FIG. 19 is a bottom view of the internal pipe of FIG. 10 with the pipe portion shown separately for clarity of illustration.

The evenly spaced broken lines are included for the purpose of illustrating environmental structure that forms no part of the claimed design. The “dash, dot, dot” broken line seen in FIG. 10 shows the relationship of the internal pipe to the bottle in the exploded view and also forms no part of the claimed design.

1 Claim, 13 Drawing Sheets

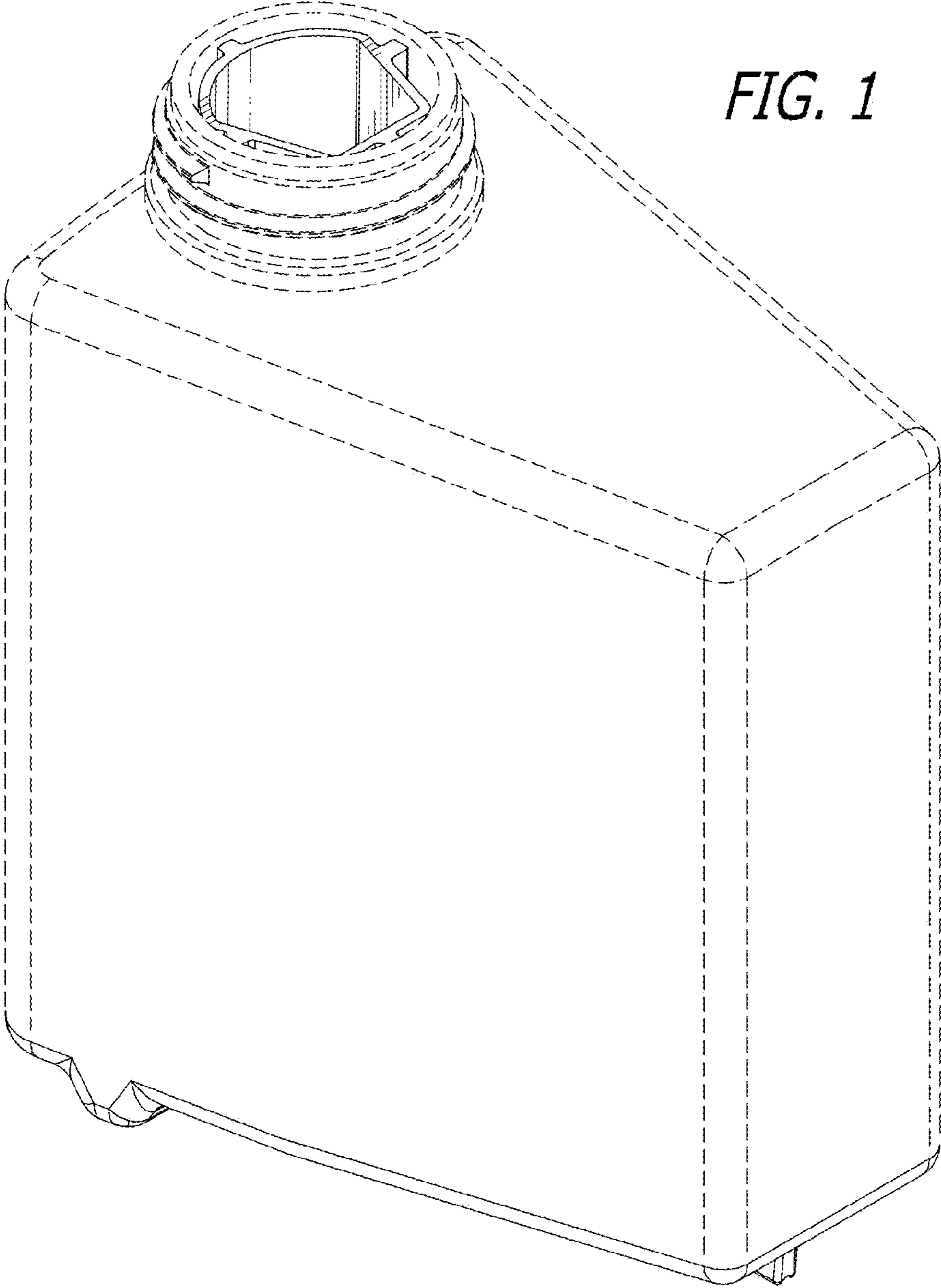


FIG. 1

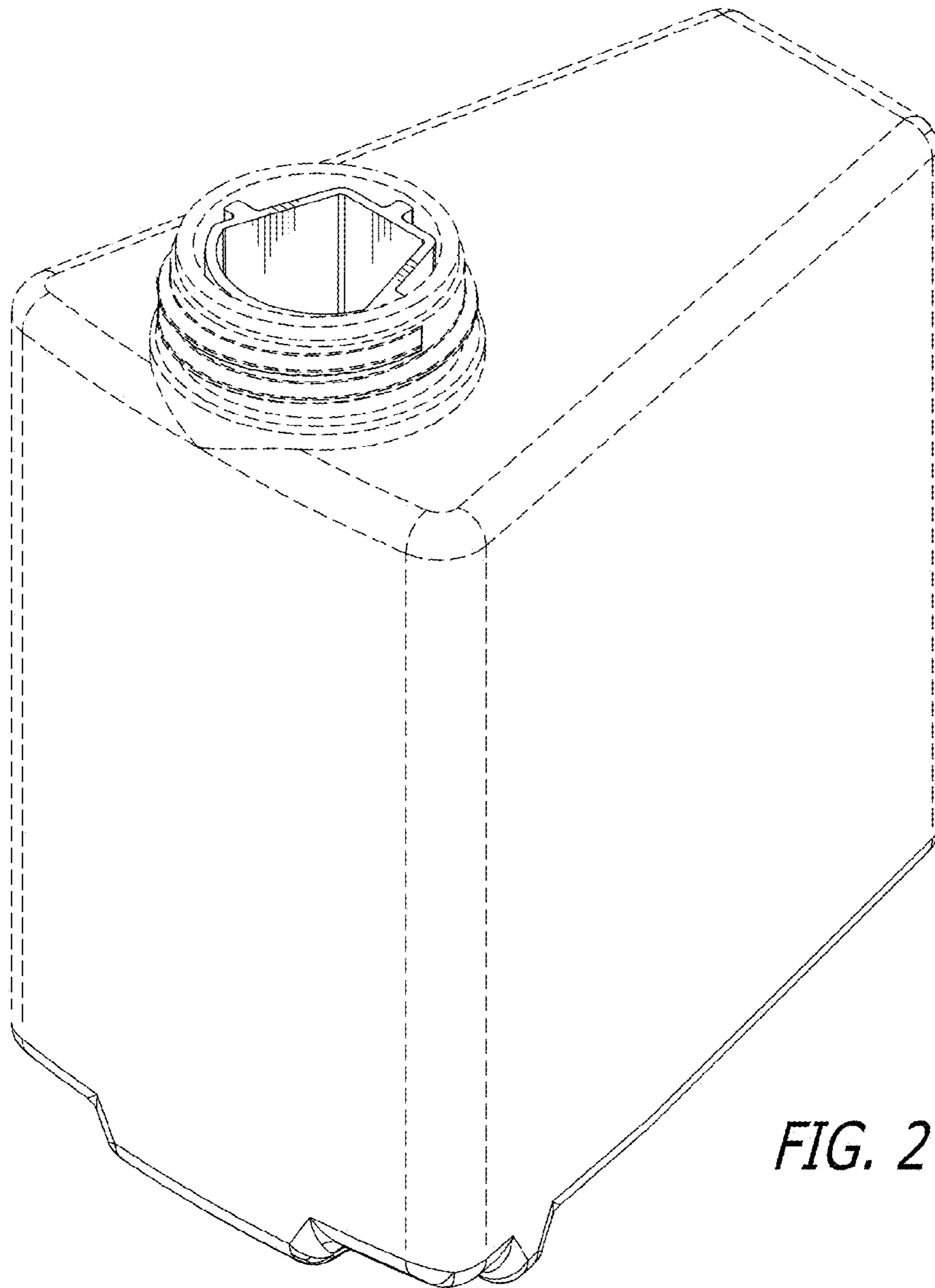


FIG. 2

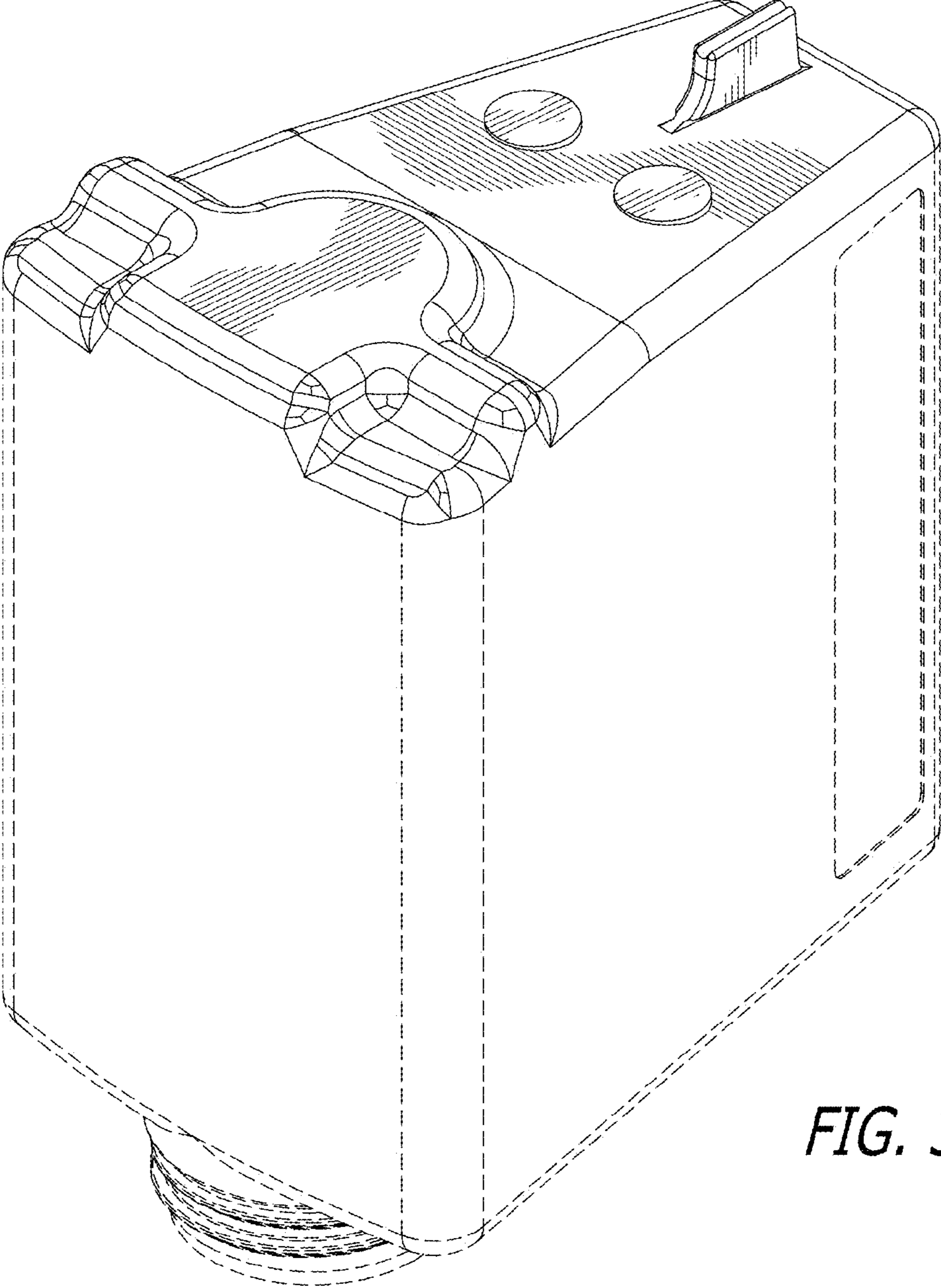


FIG. 3

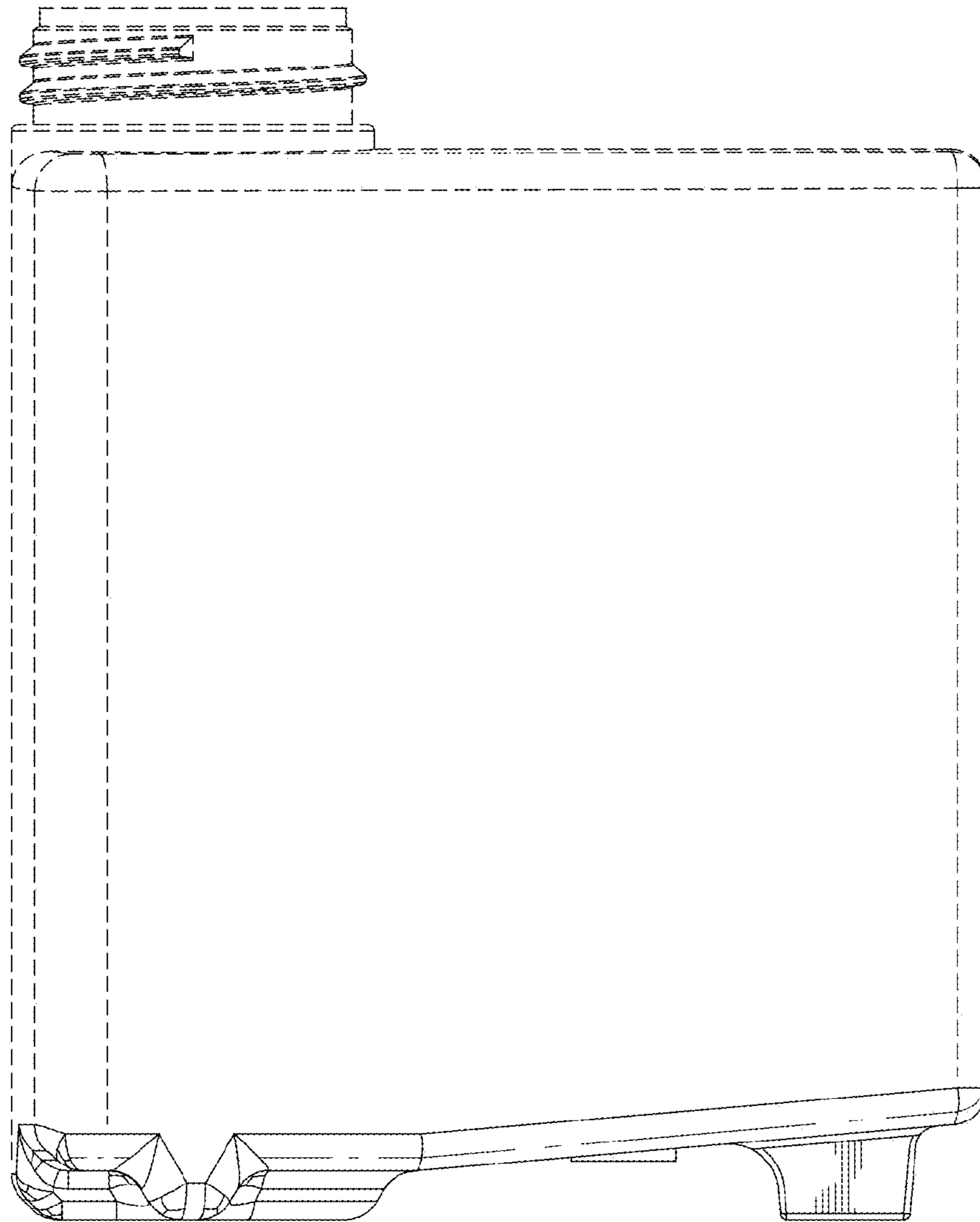


FIG. 4

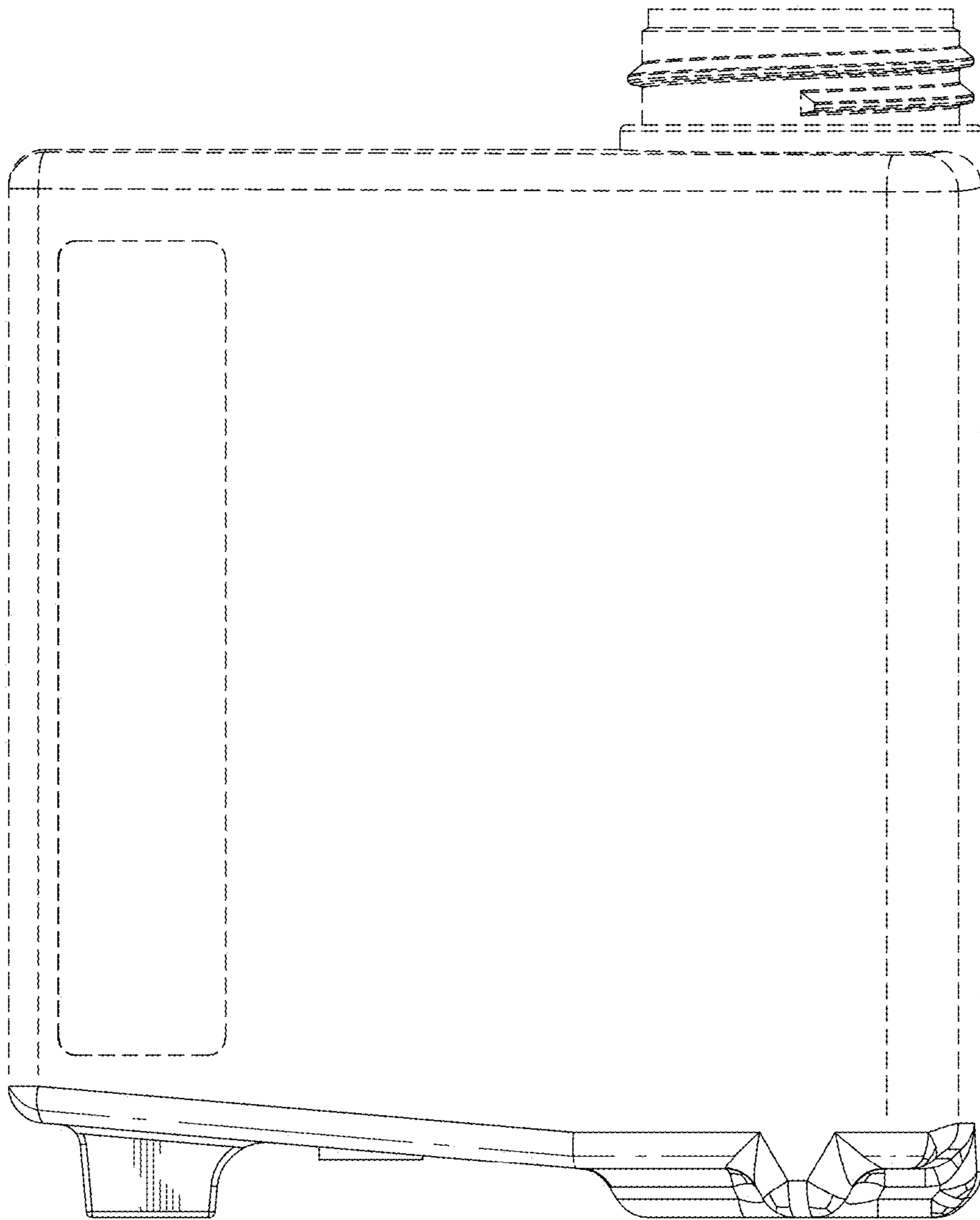


FIG. 5

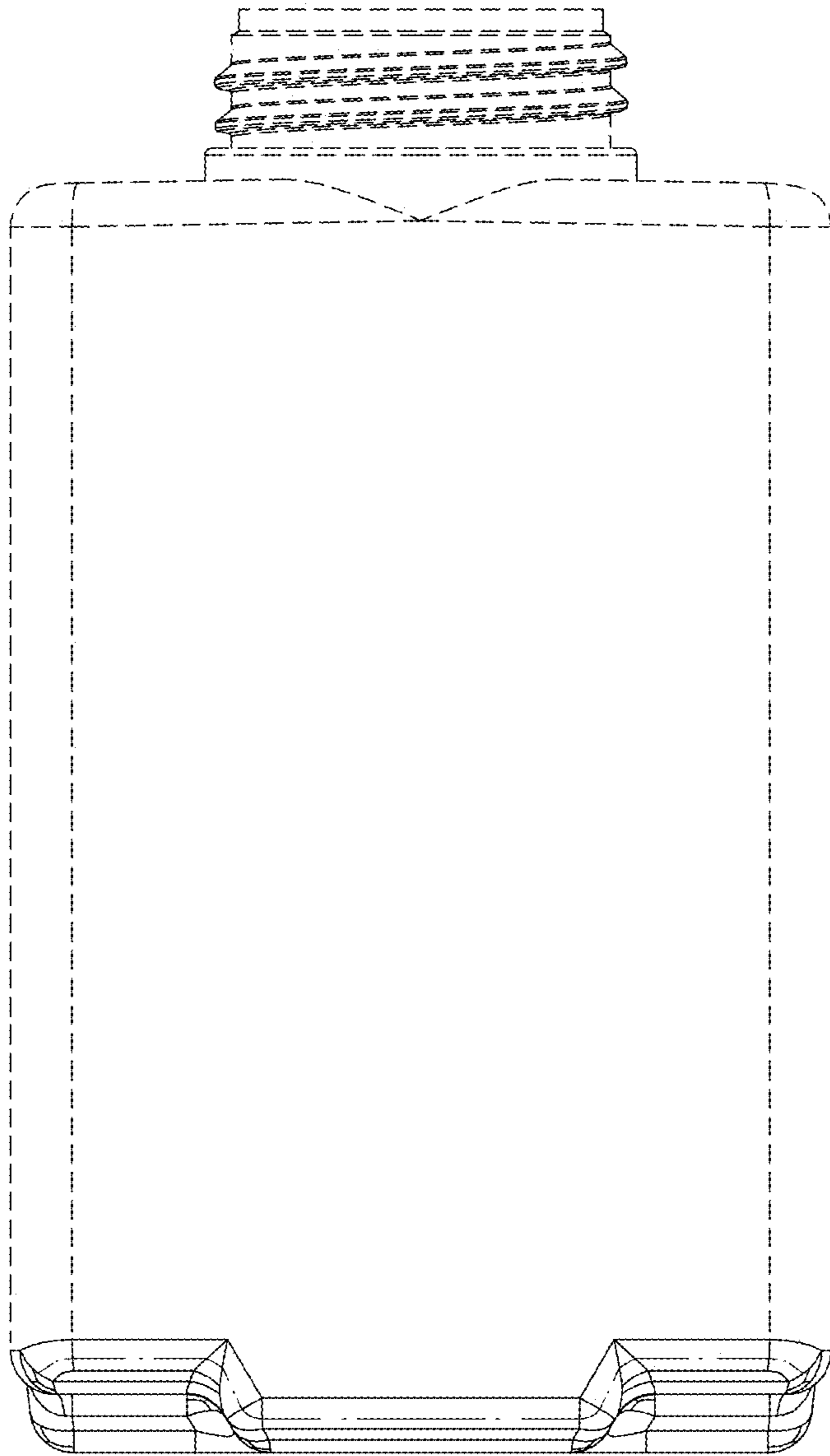


FIG. 6

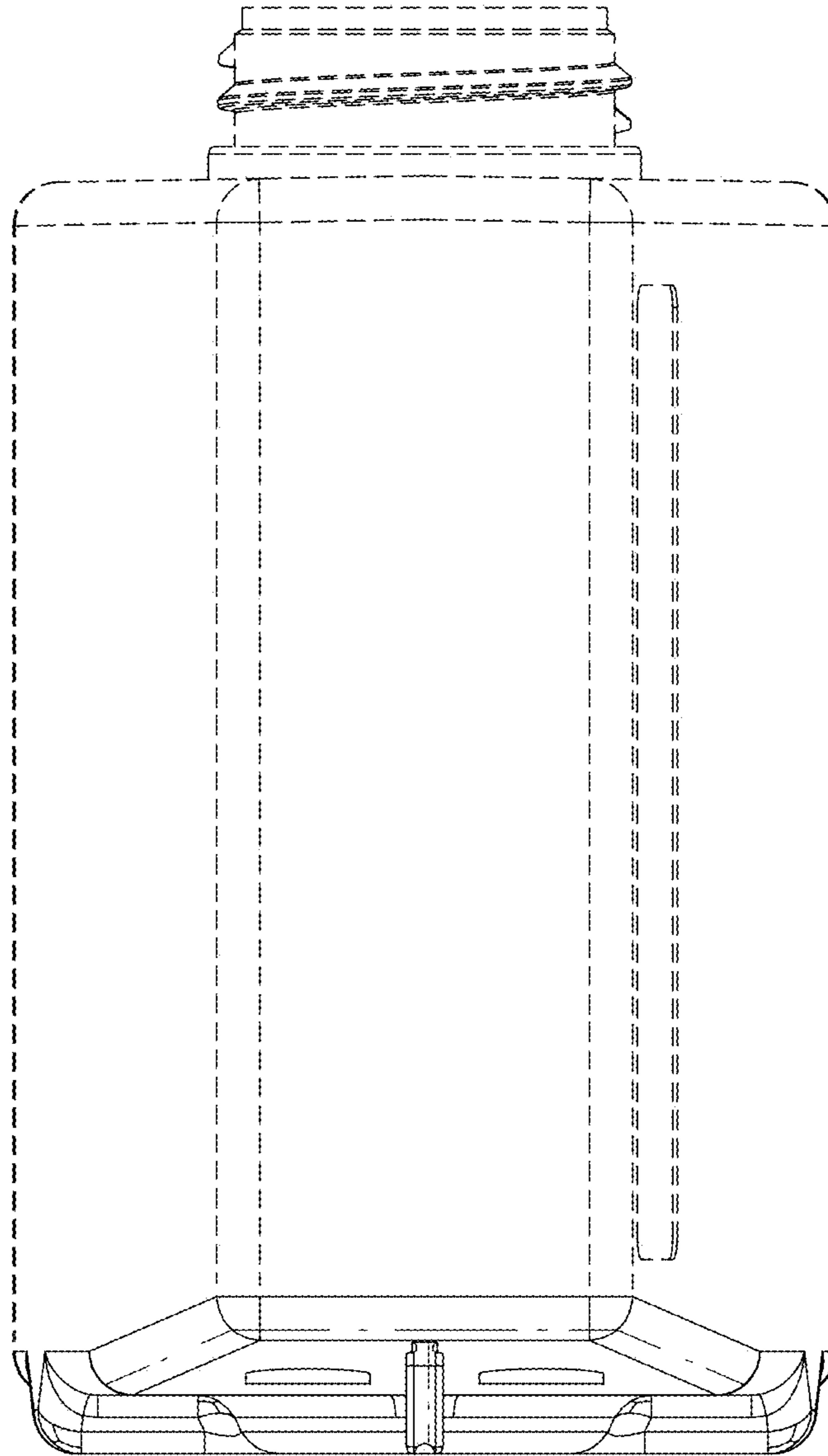


FIG. 7

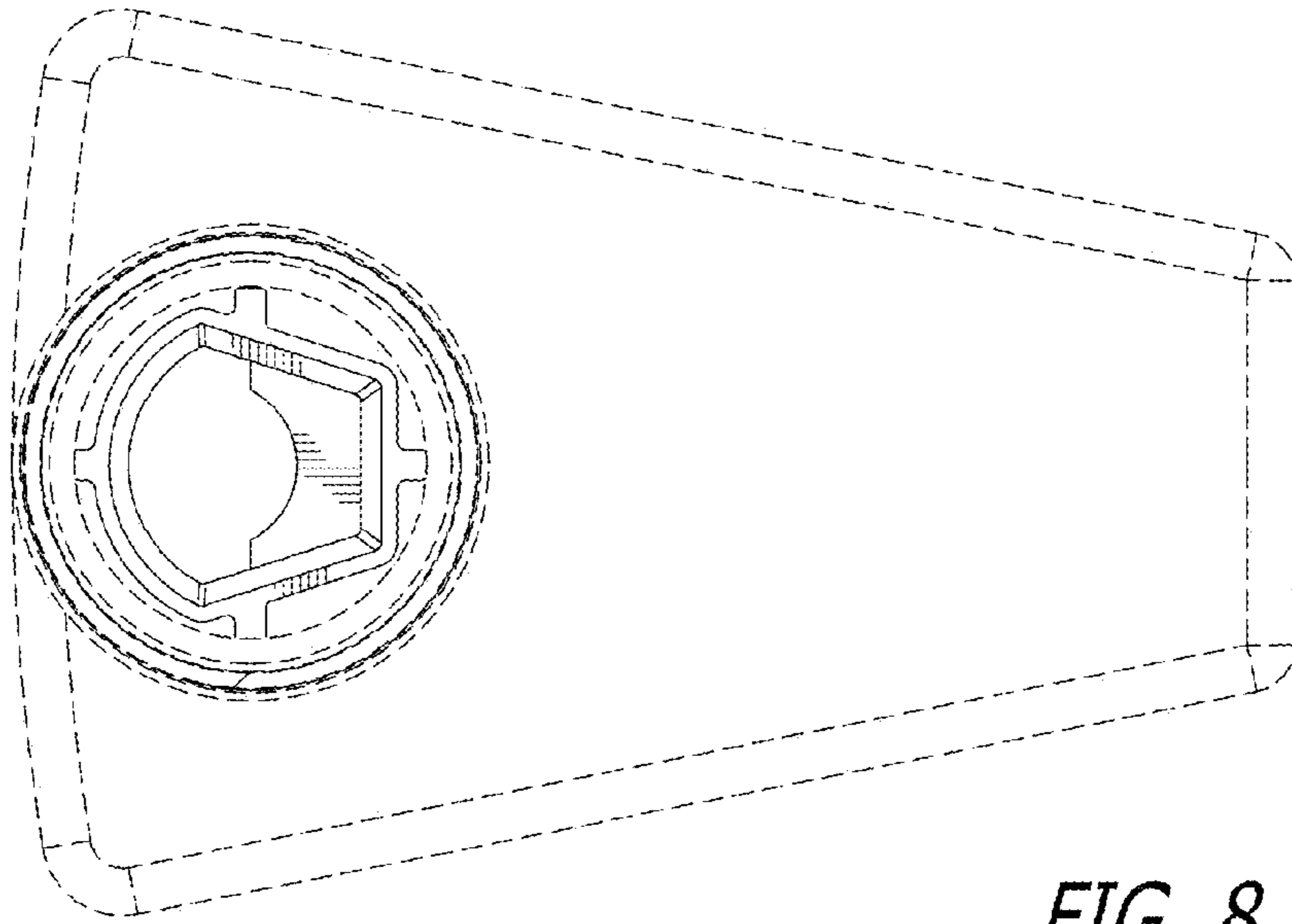


FIG. 8

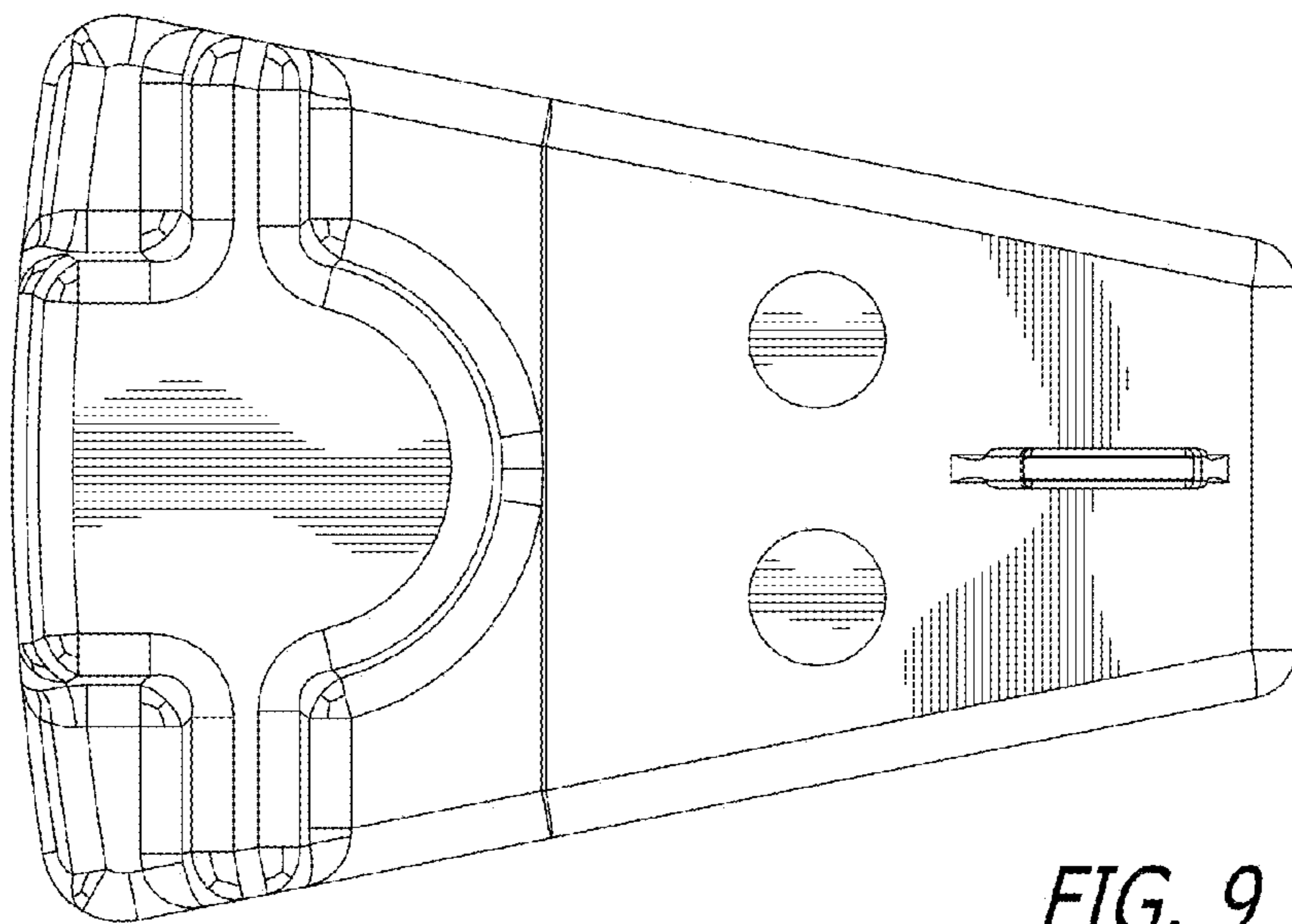


FIG. 9

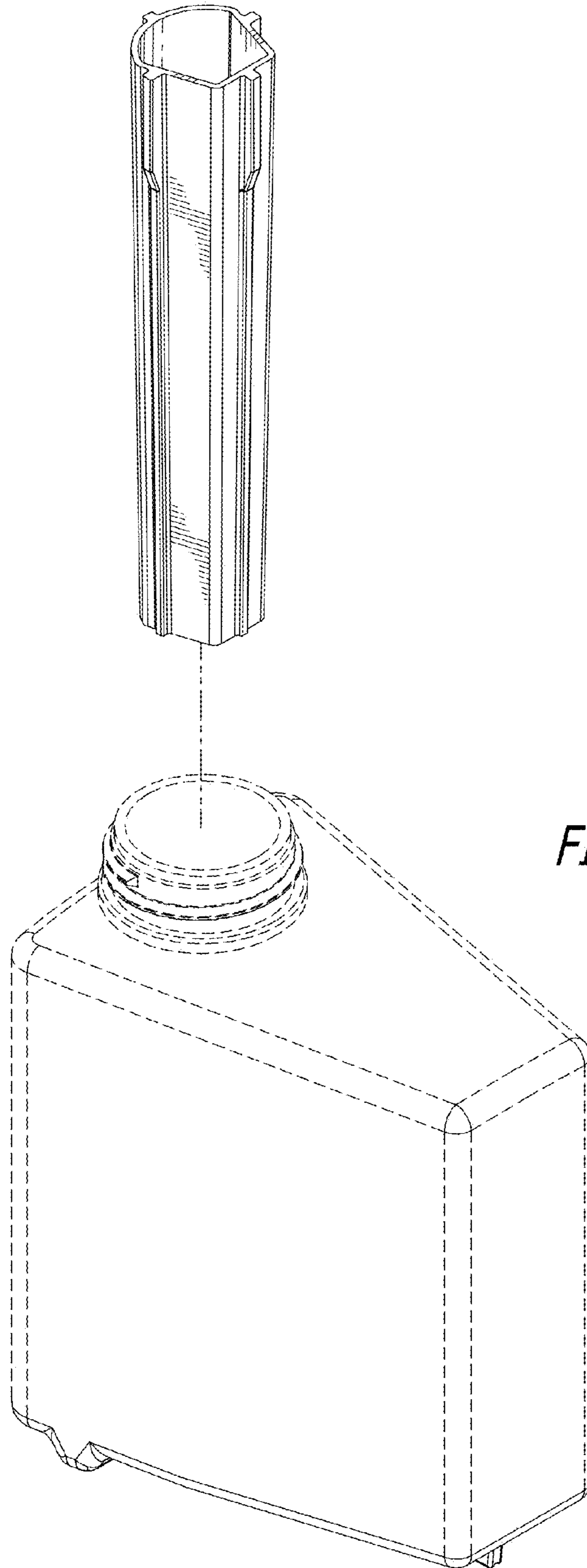


FIG. 10

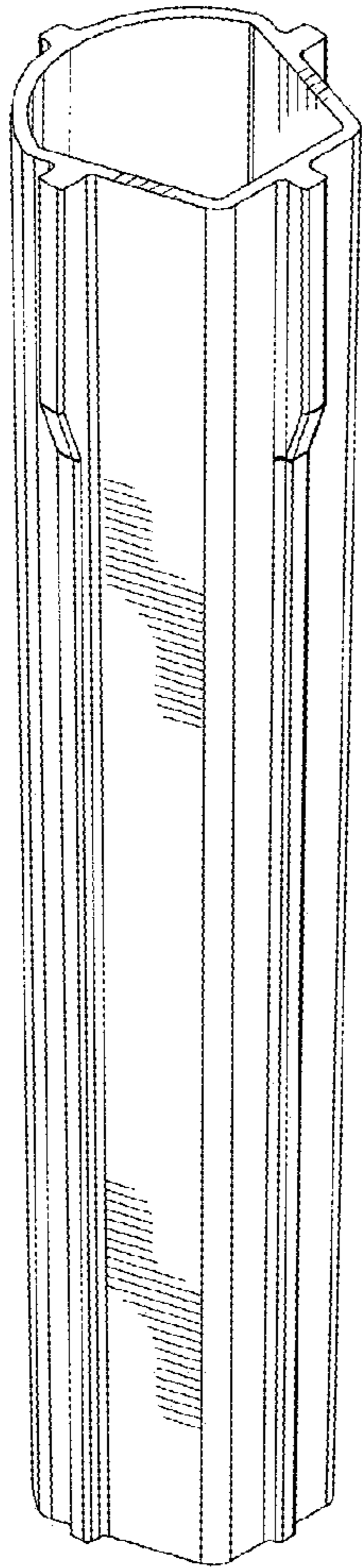


FIG. 11

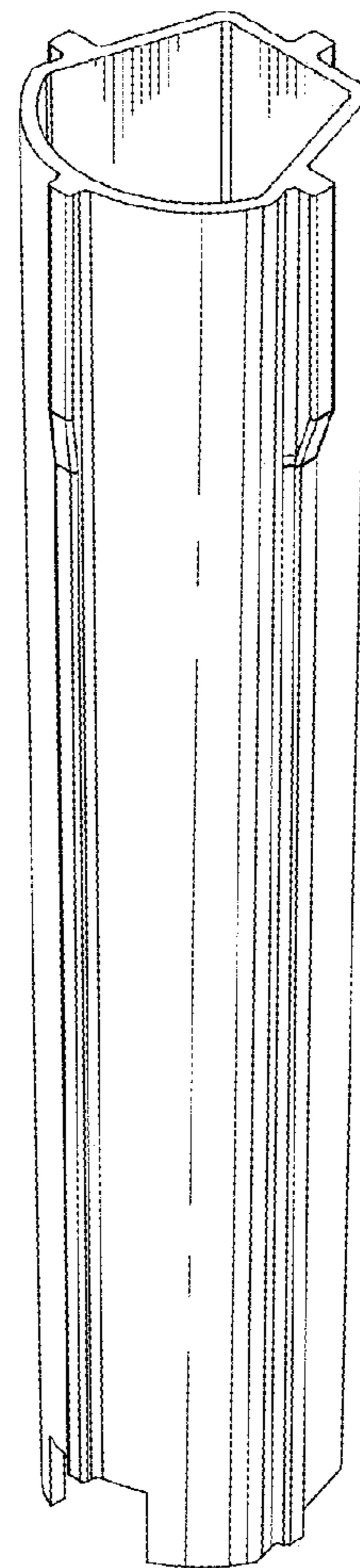


FIG. 12

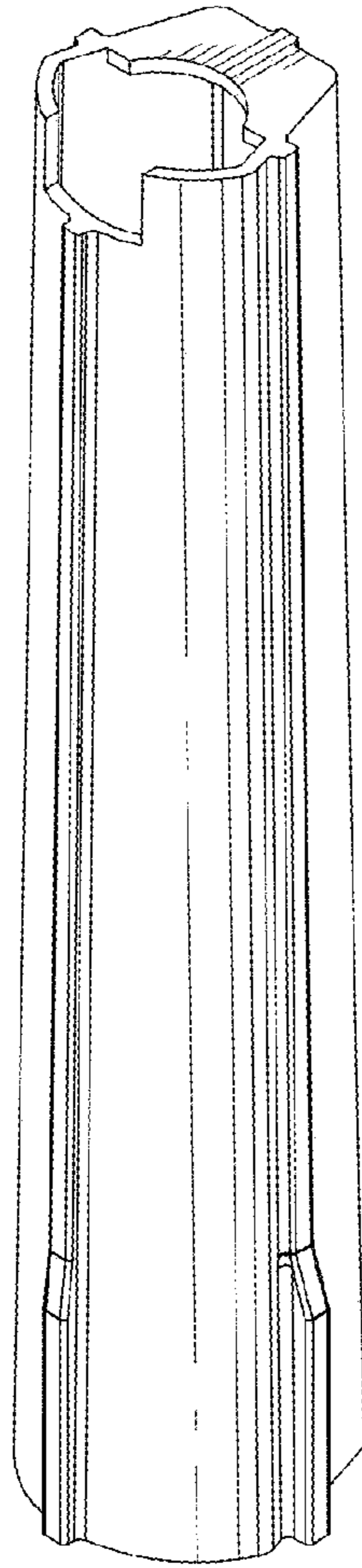


FIG. 13

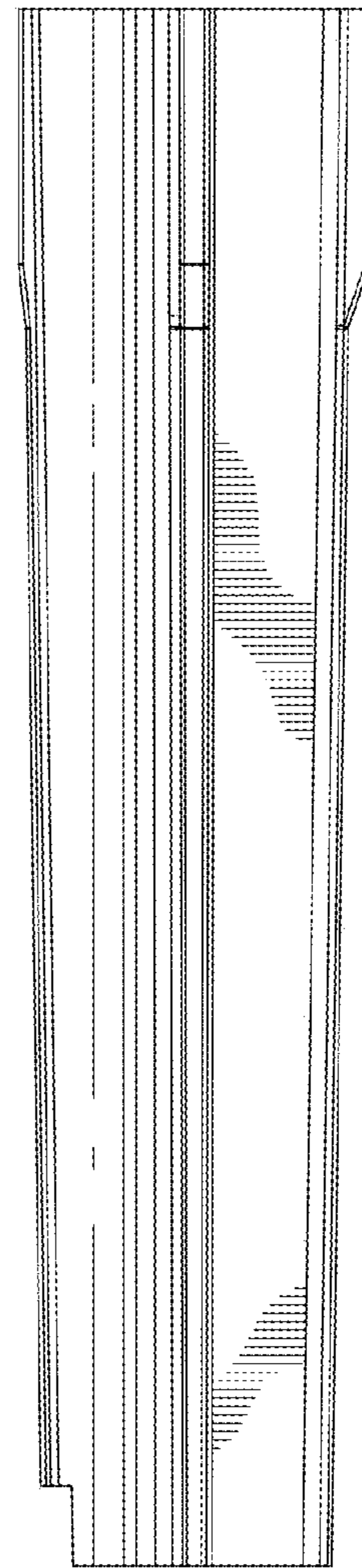


FIG. 14

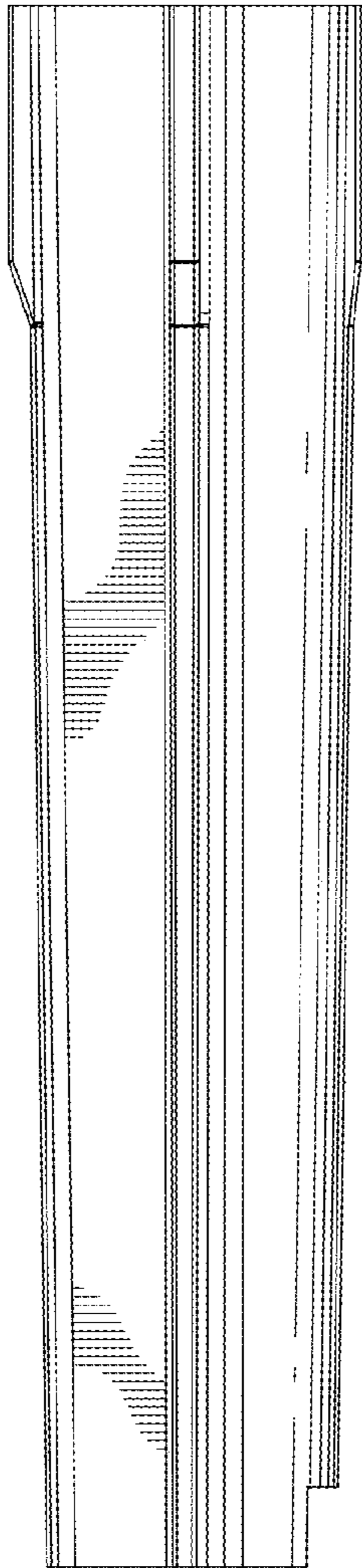


FIG. 15

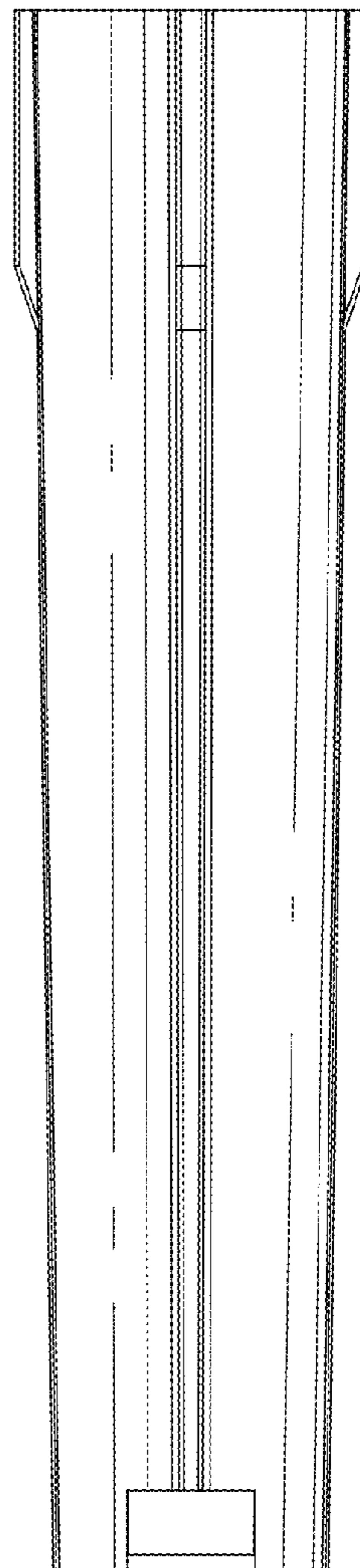


FIG. 16

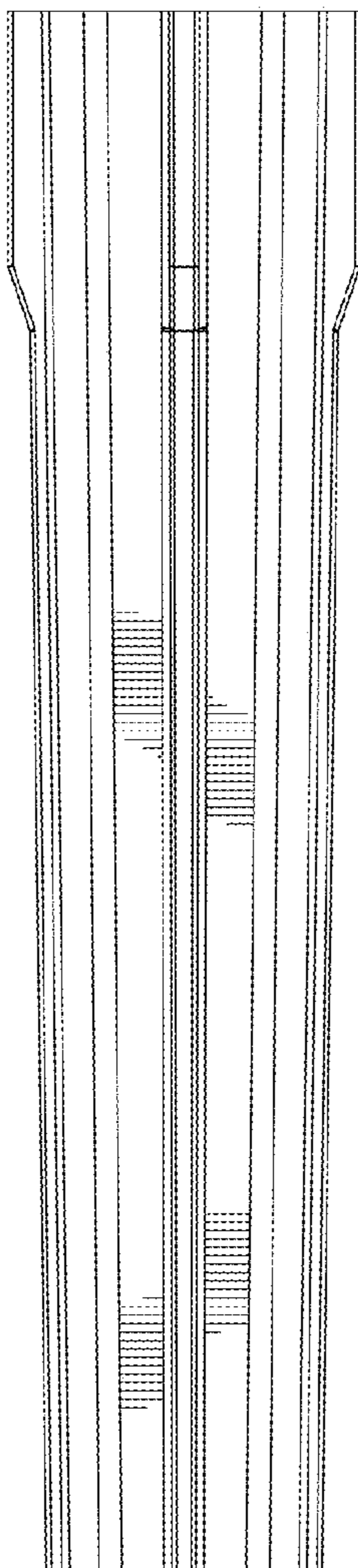


FIG. 17

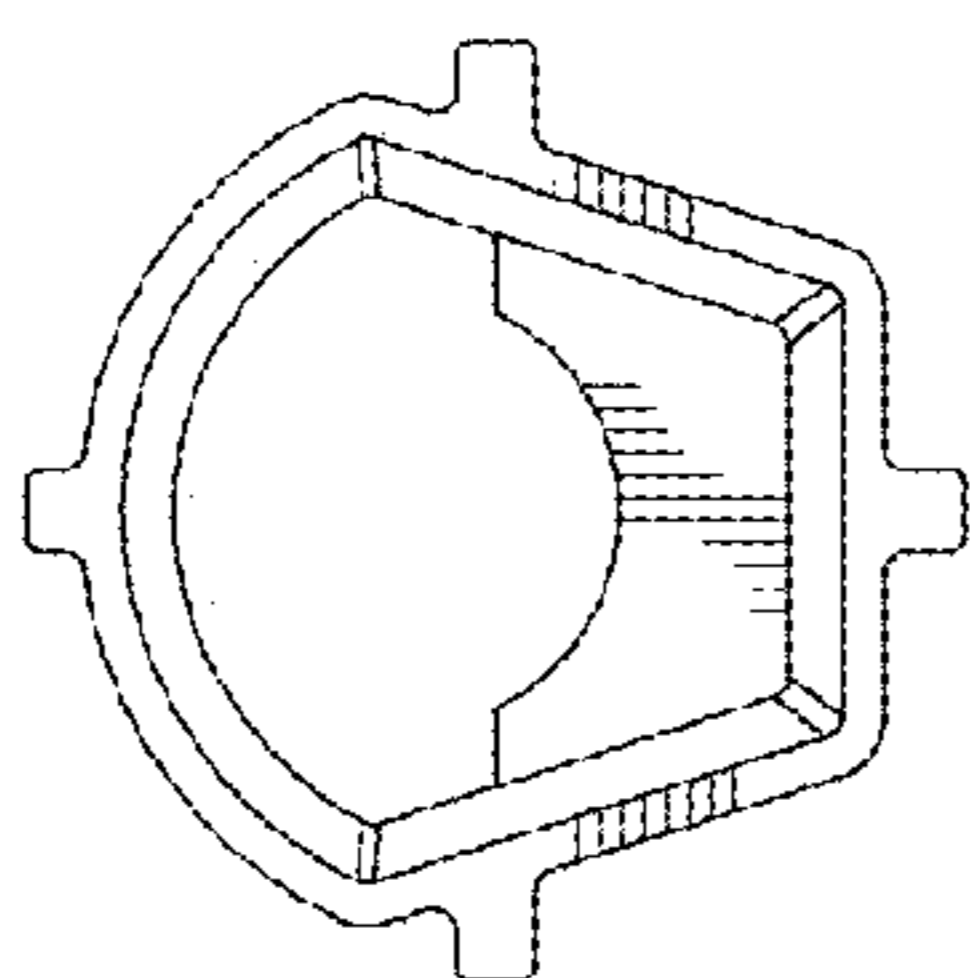


FIG. 18

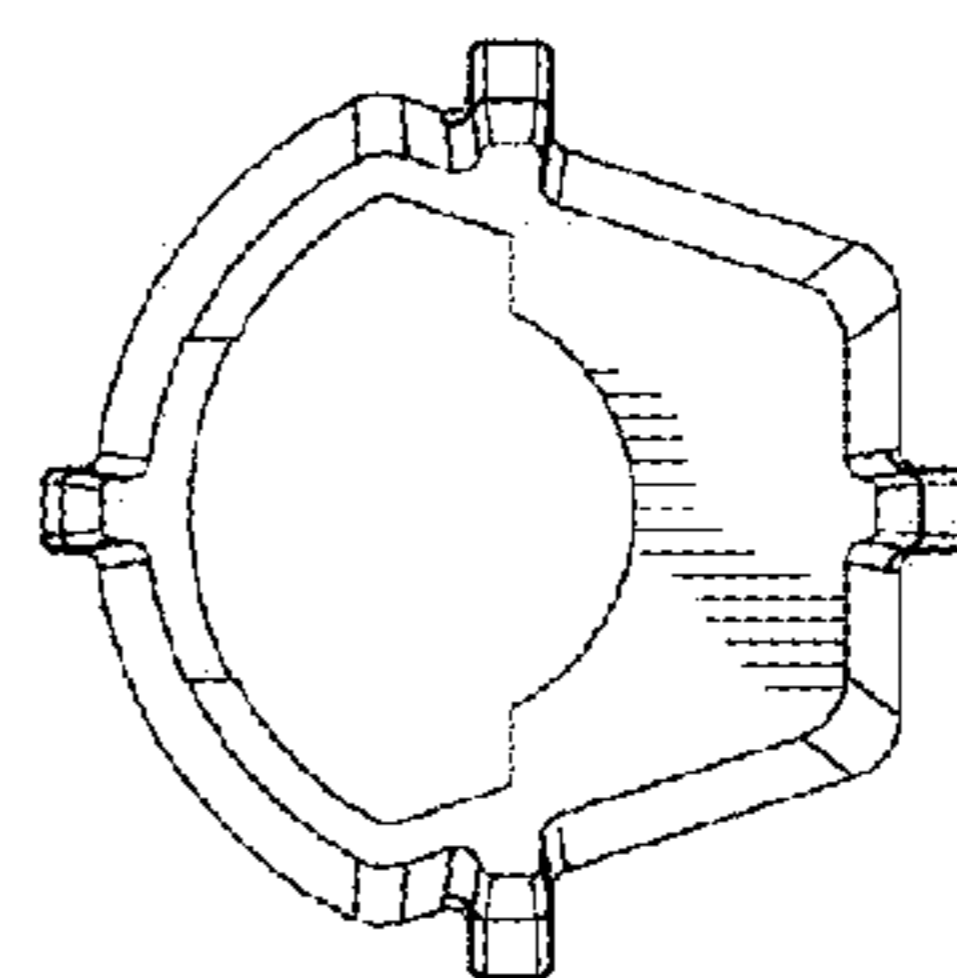


FIG. 19