



US00D747807S

(12) **United States Design Patent**
Ekfeldt

(10) **Patent No.:** **US D747,807 S**
(45) **Date of Patent:** **** Jan. 19, 2016**

(54) **OSTOMY WAFER SHELL**
(71) Applicant: **Coloplast A/S, Humlebaek (DK)**
(72) Inventor: **Bent Ekfeldt, Copenhagen V (DK)**
(73) Assignee: **Coloplast A/S, Humlebaek (DK)**
(**) Term: **14 Years**

(21) Appl. No.: **29/457,769**
(22) Filed: **Jun. 13, 2013**

(30) **Foreign Application Priority Data**
Jun. 11, 2013 (EM) 002253146

(51) **LOC (10) Cl.** **24-02**
(52) **U.S. Cl.**
USPC **D24/155**
(58) **Field of Classification Search**
USPC D24/155, 144, 127-129, 118
CPC A61F 5/445; A61F 5/443; A61F 5/448;
A61F 5/4405; A61F 5/4407; A61B 2017/1117
See application file for complete search history.

(56) **References Cited**
U.S. PATENT DOCUMENTS
3,557,790 A * 1/1971 Hauser 604/342
4,681,574 A * 7/1987 Eastman 604/344
D323,213 S * 1/1992 Iacone D24/129
5,079,843 A * 1/1992 Shelton et al. 30/310
D345,418 S * 3/1994 Fenton D24/129
5,503,635 A * 4/1996 Sauer et al. 606/153
D460,550 S * 7/2002 Falconer D24/118
D516,212 S * 2/2006 Persson et al. D24/128
D533,660 S * 12/2006 Persson et al. D24/128
7,931,631 B2 * 4/2011 Pedersen et al. 604/344
D683,451 S * 5/2013 Todd et al. D24/127
D687,144 S * 7/2013 Gronberg D24/127
D687,145 S * 7/2013 Gronberg D24/129
D699,848 S * 2/2014 Leroy et al. D24/144
8,657,799 B2 * 2/2014 Carrubba 604/318
2009/0076532 A1 * 3/2009 Rebuffat et al. 606/153

2009/0138030 A1 * 5/2009 Gronberg 606/153
2009/0234312 A1 * 9/2009 O'Toole et al. 604/332
2009/0312685 A1 * 12/2009 Olsen et al. 602/54
2013/0138065 A1 * 5/2013 Buus 604/344
2013/0274696 A1 * 10/2013 Lam 604/332
2013/0304008 A1 * 11/2013 Hanuka et al. 604/334

FOREIGN PATENT DOCUMENTS

WO 2012079592 A1 6/2012
* cited by examiner

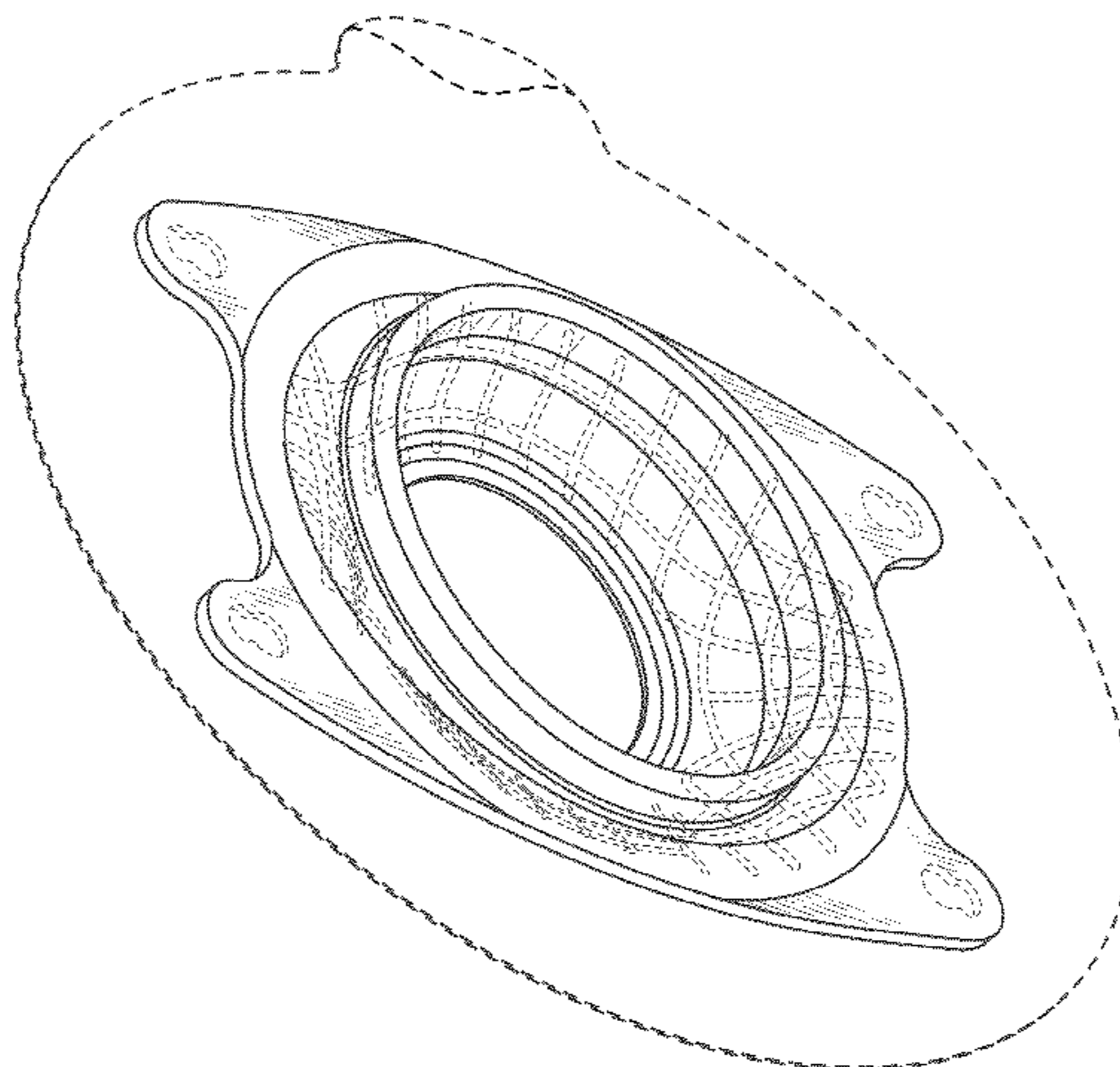
Primary Examiner — Susan Bennett Hattan
Assistant Examiner — Charles Hanson
(74) *Attorney, Agent, or Firm* — Coloplast Corp., Coloplast A/S; Nick Baumann

(57) **CLAIM**
The ornamental design for an ostomy wafer shell, as shown and described.

DESCRIPTION

FIG. 1 is an isometric view of one embodiment of an ostomy wafer shell in its environment;
FIG. 2 is a top side view thereof;
FIG. 3 is a bottom side view thereof;
FIG. 4 is a front side view thereof, where a back side view is not illustrated as it is a mirror image of the front side view; and,
FIG. 5 is a left side view thereof, where a right side view is not illustrated as it is a mirror image of the left side view.
The ostomy wafer shell is fabricated from transparent material.
In FIGS. 1-2 the dotted lines of a cross-hatch pattern formed in the bottom side of the ostomy wafer shell are visible and illustrated since the ostomy wafer shell is transparent.
The broken line disclosure of the ostomy wafer and the support structure within the shell in FIGS. 1-5 is for the purposes of illustrating environment and forms no part of the claimed design.

1 Claim, 5 Drawing Sheets



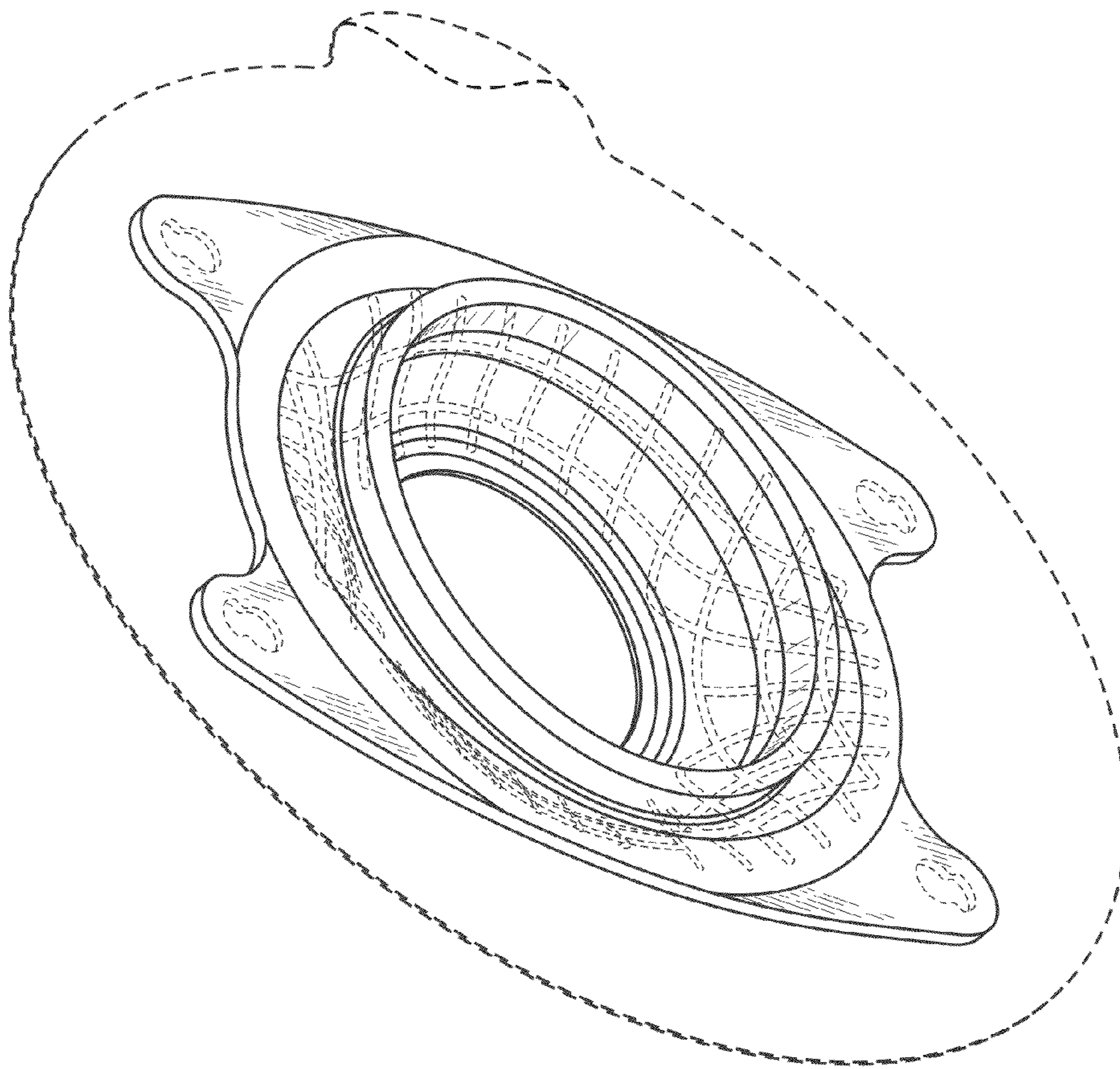


Fig. 1

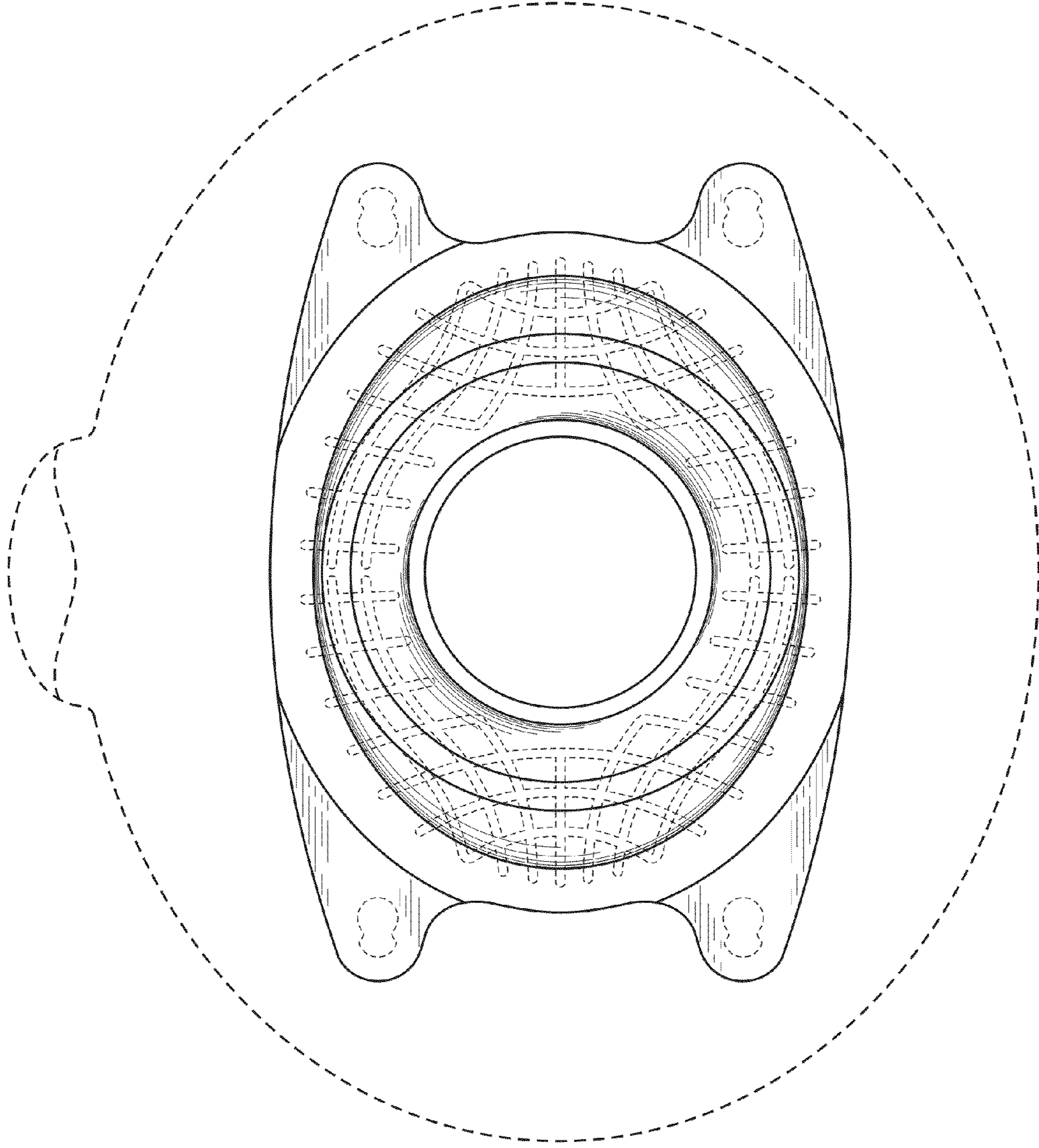


Fig. 2

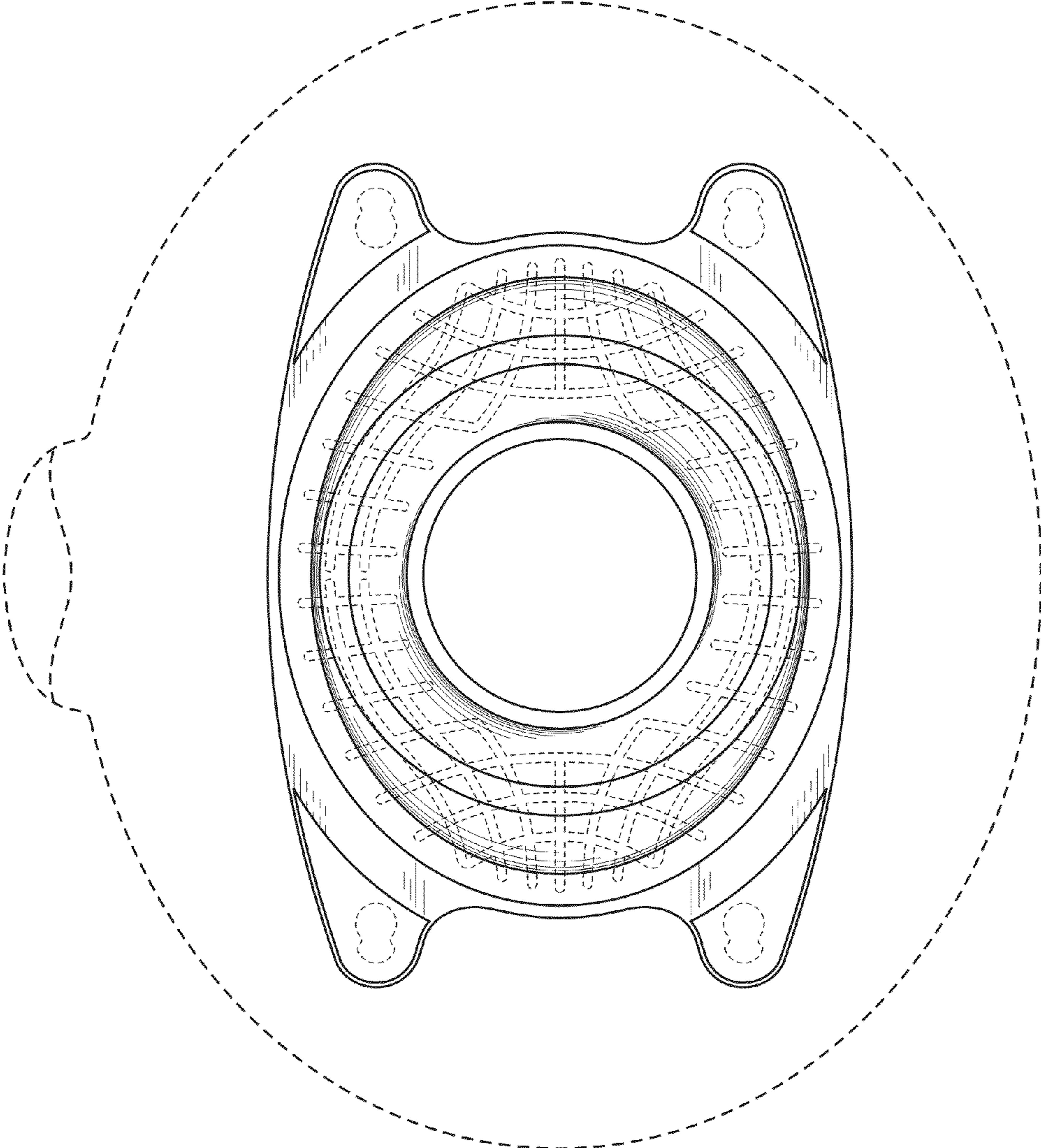


Fig. 3

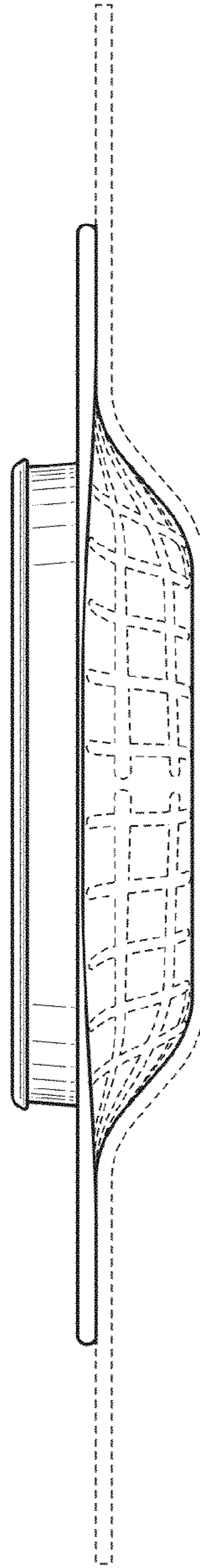


Fig. 4

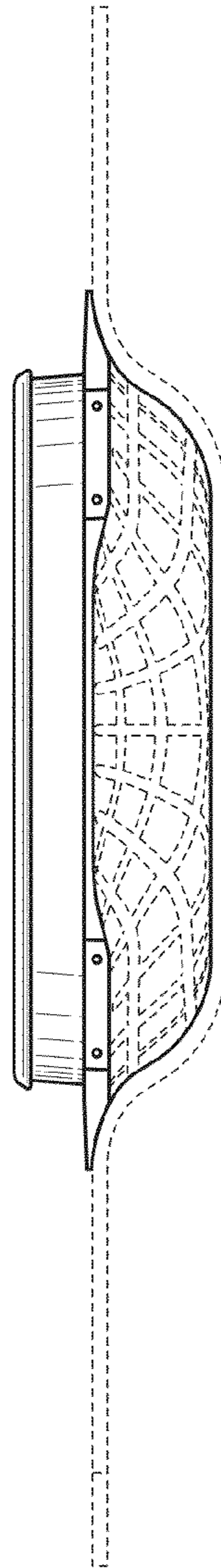


Fig. 5