



US00D747806S

(12) **United States Design Patent**  
**Wargner et al.**

(10) **Patent No.:** **US D747,806 S**  
(45) **Date of Patent:** **\*\* Jan. 19, 2016**

(54) **LENS-HOLDING AND GUIDING  
IMPLEMENT FOR INTRAOCULAR LENS  
IMPLANTATION DEVICE**

(71) Applicant: **Santen Pharmaceutical Co., Ltd.**,  
Osaka-shi, Osaka (JP)

(72) Inventors: **Christian Winfried Wargner**, Osaka  
(JP); **Yoshitaka Yamada**, Osaka (JP);  
**Katsuyuki Ueno**, Osaka (JP)

(73) Assignee: **Santen Pharmaceutical Co., Ltd.**,  
Osaka-shi, Osaka (JP)

(\*\*) Term: **14 Years**

(21) Appl. No.: **29/442,738**

(22) Filed: **Apr. 29, 2013**

(30) **Foreign Application Priority Data**

Oct. 30, 2012 (JP) ..... 2012-026400

(51) **LOC (10) Cl.** ..... **24-02**

(52) **U.S. Cl.**  
USPC ..... **D24/150**

(58) **Field of Classification Search**  
USPC ..... D24/110.6, 112-118, 120, 121, 127,  
D24/130, 131; 600/5, 356; 623/6.12;  
606/107, 6.38

See application file for complete search history.

(56) **References Cited**

**U.S. PATENT DOCUMENTS**

5,873,879 A \* 2/1999 Figueroa et al. .... 606/107  
6,312,433 B1 \* 11/2001 Butts et al. .... 606/107  
6,371,960 B2 \* 4/2002 Heyman et al. .... 606/107  
8,273,122 B2 \* 9/2012 Anderson ..... 623/6.12  
D681,808 S \* 5/2013 Holaschke et al. .... D24/114

8,702,794 B2 \* 4/2014 Hoffmann et al. .... 623/6.12  
8,900,249 B2 \* 12/2014 Boukhny et al. .... 606/107  
2004/0243141 A1 \* 12/2004 Brown et al. .... 606/107  
2007/0050023 A1 \* 3/2007 Bessiere et al. .... 623/6.12  
2012/0221102 A1 \* 8/2012 Tanaka et al. .... 623/6.12  
2014/0200588 A1 \* 7/2014 Anderson et al. .... 606/107

\* cited by examiner

*Primary Examiner* — Ian Simmons

*Assistant Examiner* — Samantha Q Lawrence

(74) *Attorney, Agent, or Firm* — Squire Patton Boggs US  
LLP

(57) **CLAIM**

The ornamental design for a lens-holding and guiding imple-  
ment for intraocular lens implantation device, as shown and  
described.

**DESCRIPTION**

FIG. 1 is a front view of a lens-holding and guiding imple-  
ment for intraocular lens implantation device showing our  
new design;

FIG. 2 is a rear view thereof;

FIG. 3 is a left side view thereof;

FIG. 4 is a right side view thereof;

FIG. 5 is a top plan view thereof;

FIG. 6 is a bottom view thereof;

FIG. 7 is a top, right side perspective view thereof;

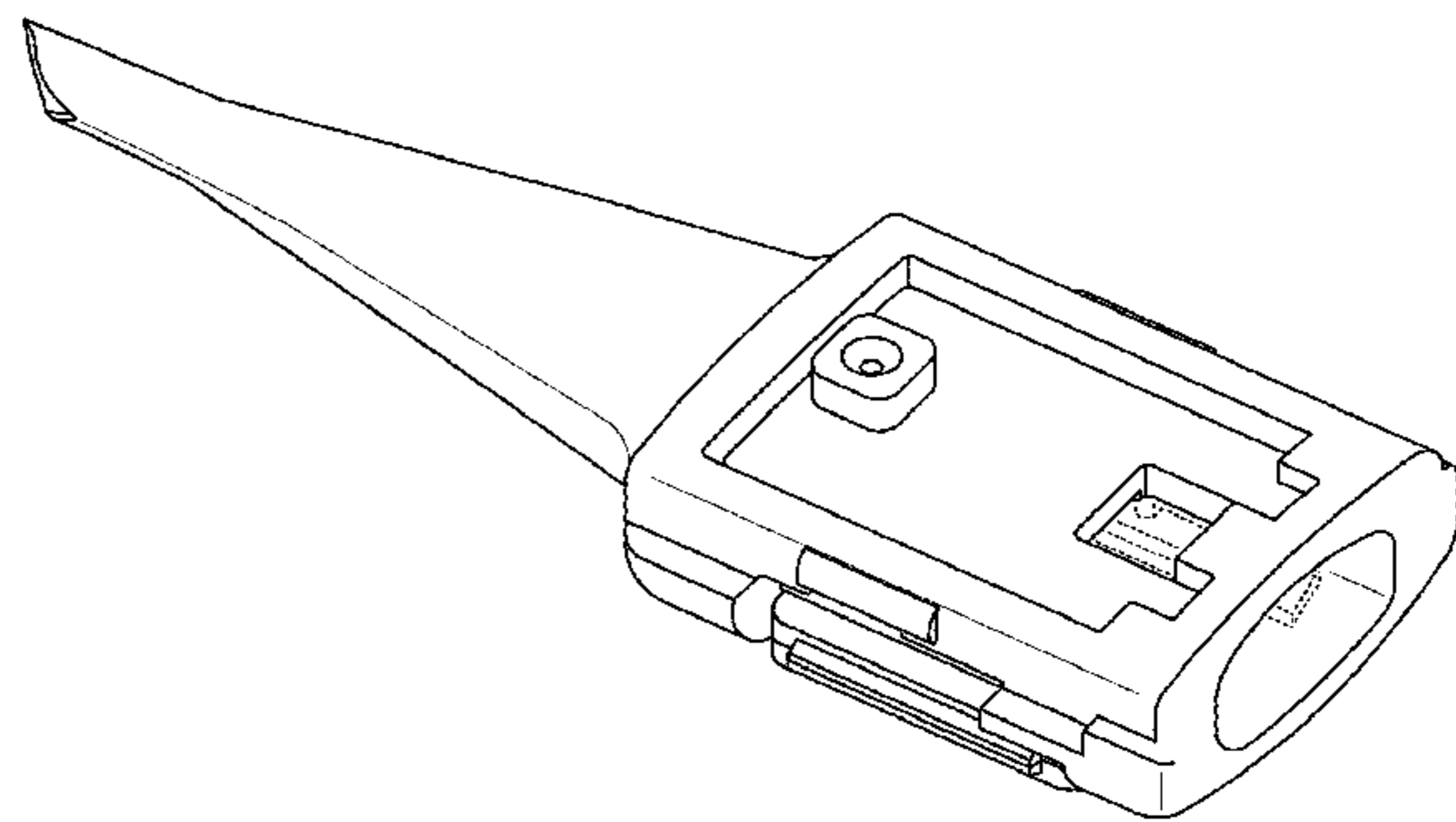
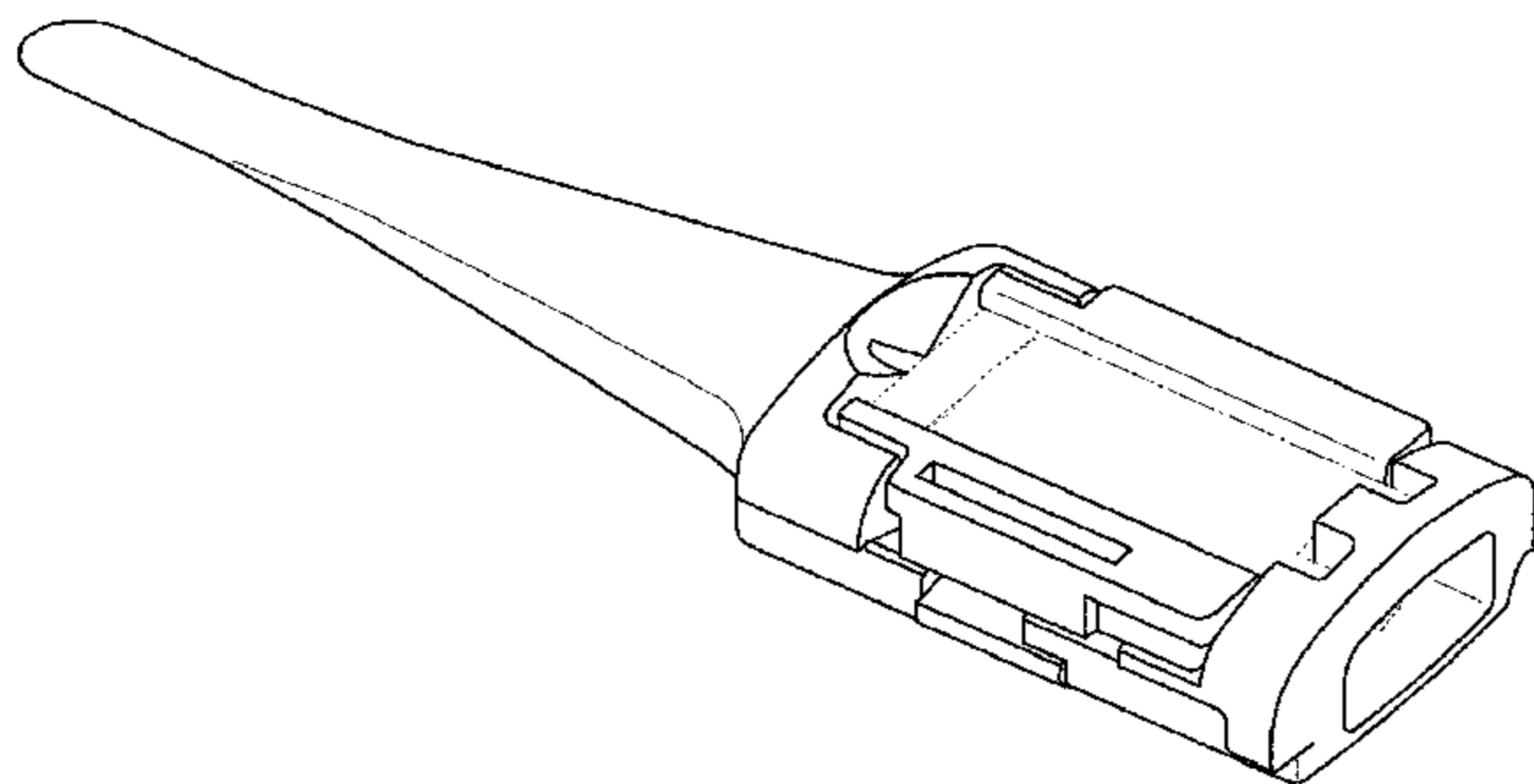
FIG. 8 is a top, left side perspective view thereof;

FIG. 9 is a bottom, left side perspective view thereof; and,

FIG. 10 is a top, right side perspective view thereof showing  
an environment of use.

The dot-dot broken lines are directed to portions of the lens-  
holding and guiding implement for intraocular lens implan-  
tation device that form no part of the claimed design. The  
dash-dot broken lines represent the bounds of the claimed  
design and do not themselves form a part of the claimed  
design.

**1 Claim, 10 Drawing Sheets**



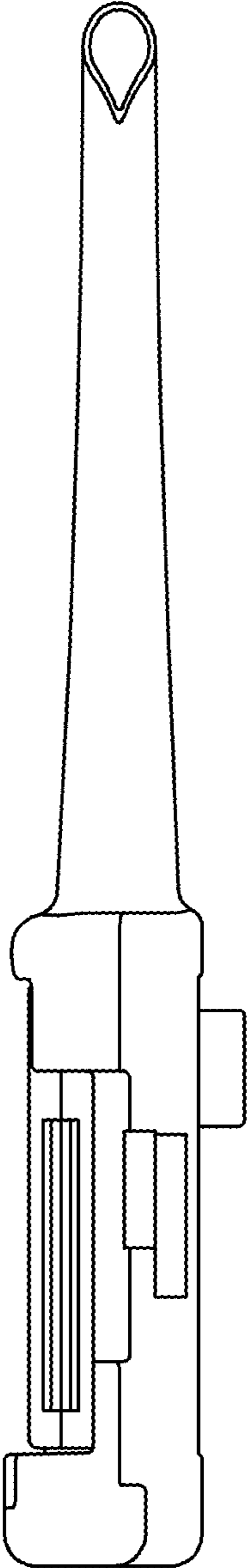


FIG. 1

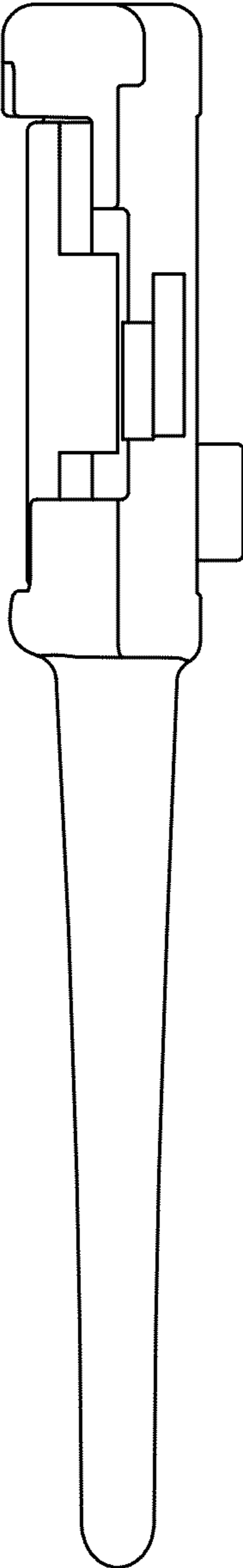


FIG. 2

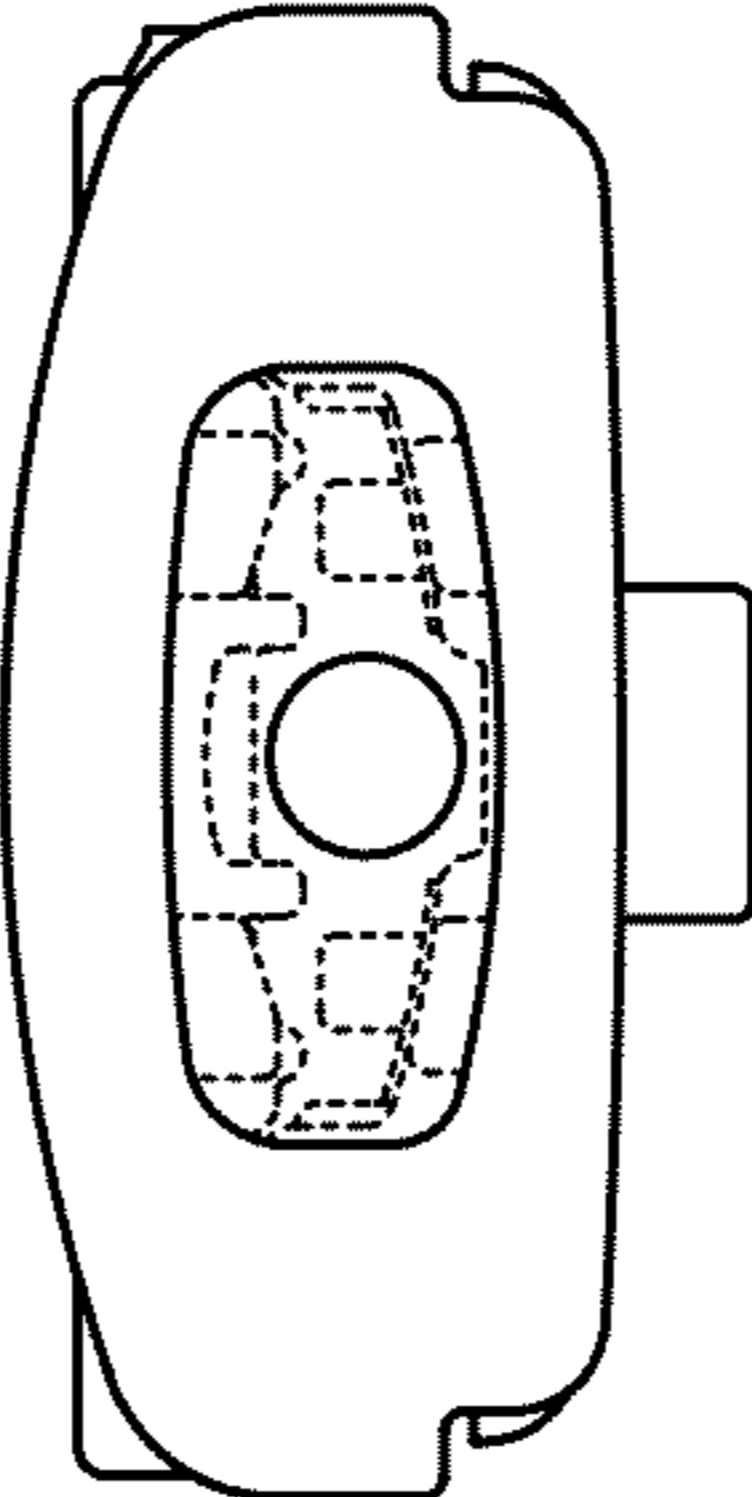


FIG. 3

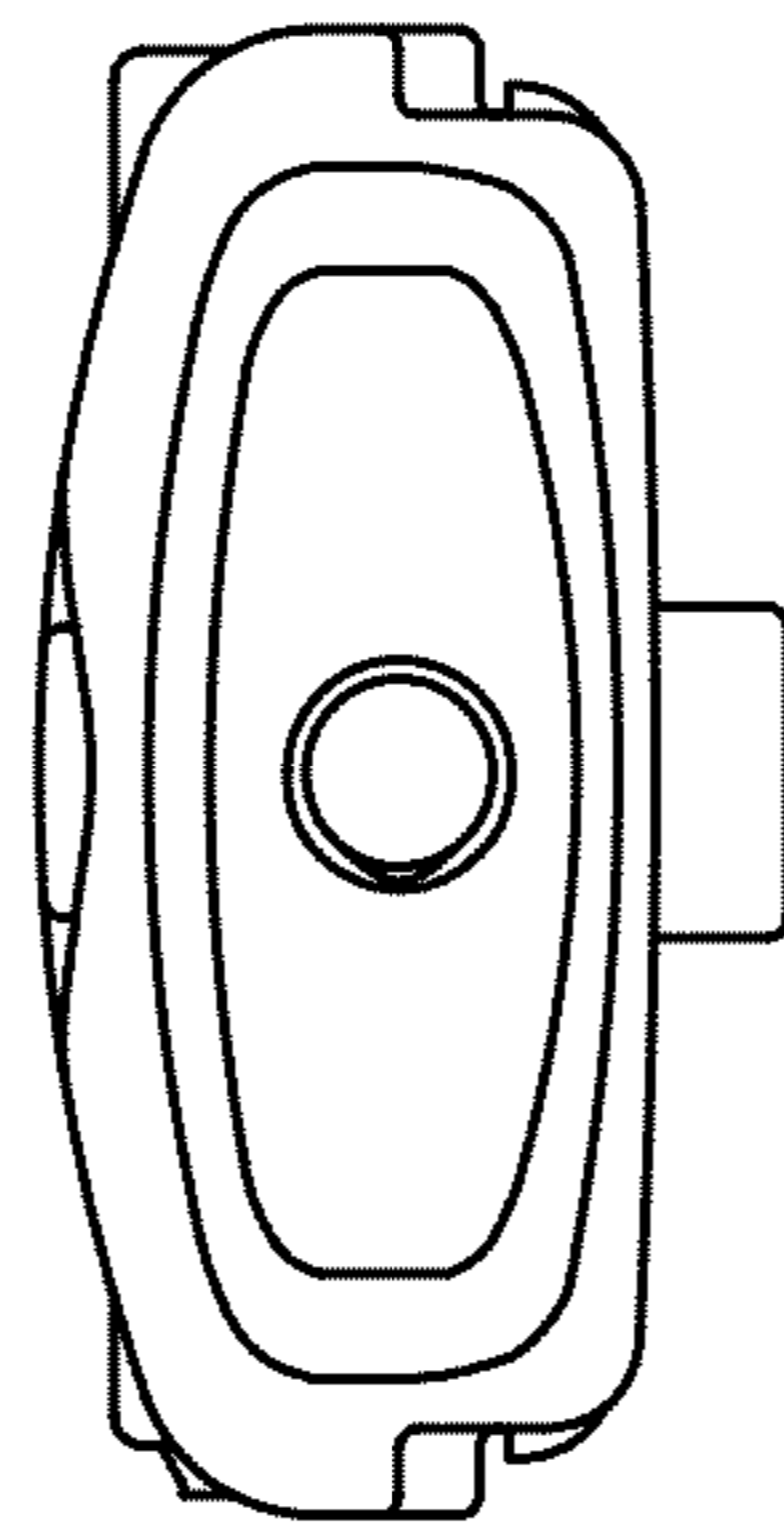


FIG. 4

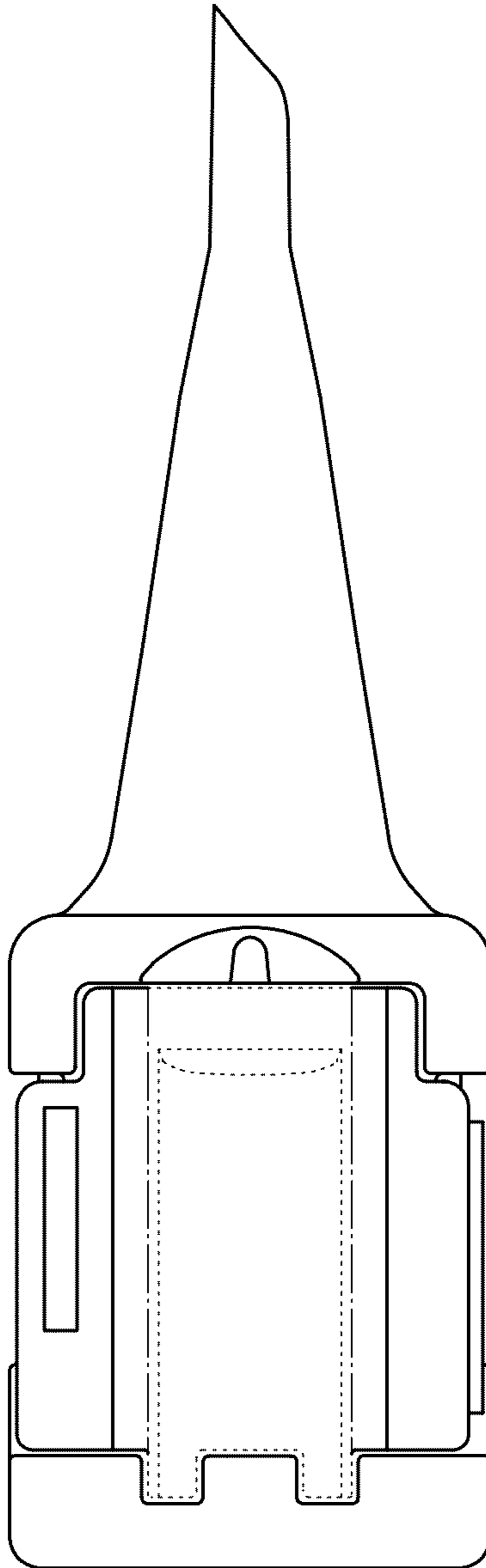


FIG. 5

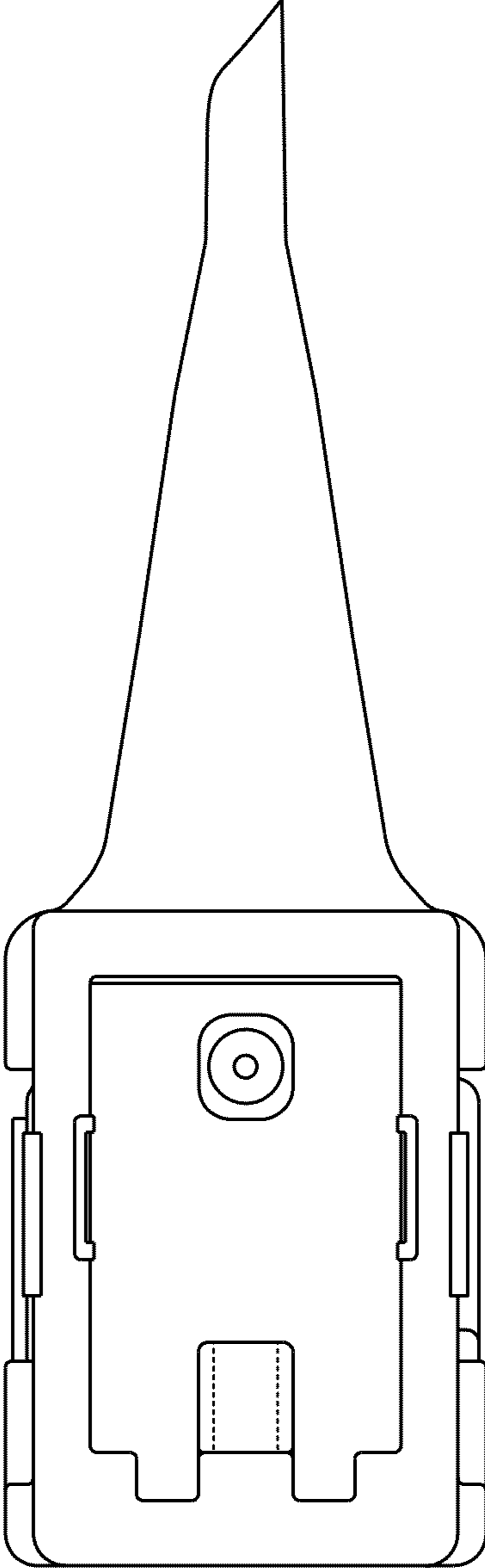


FIG. 6

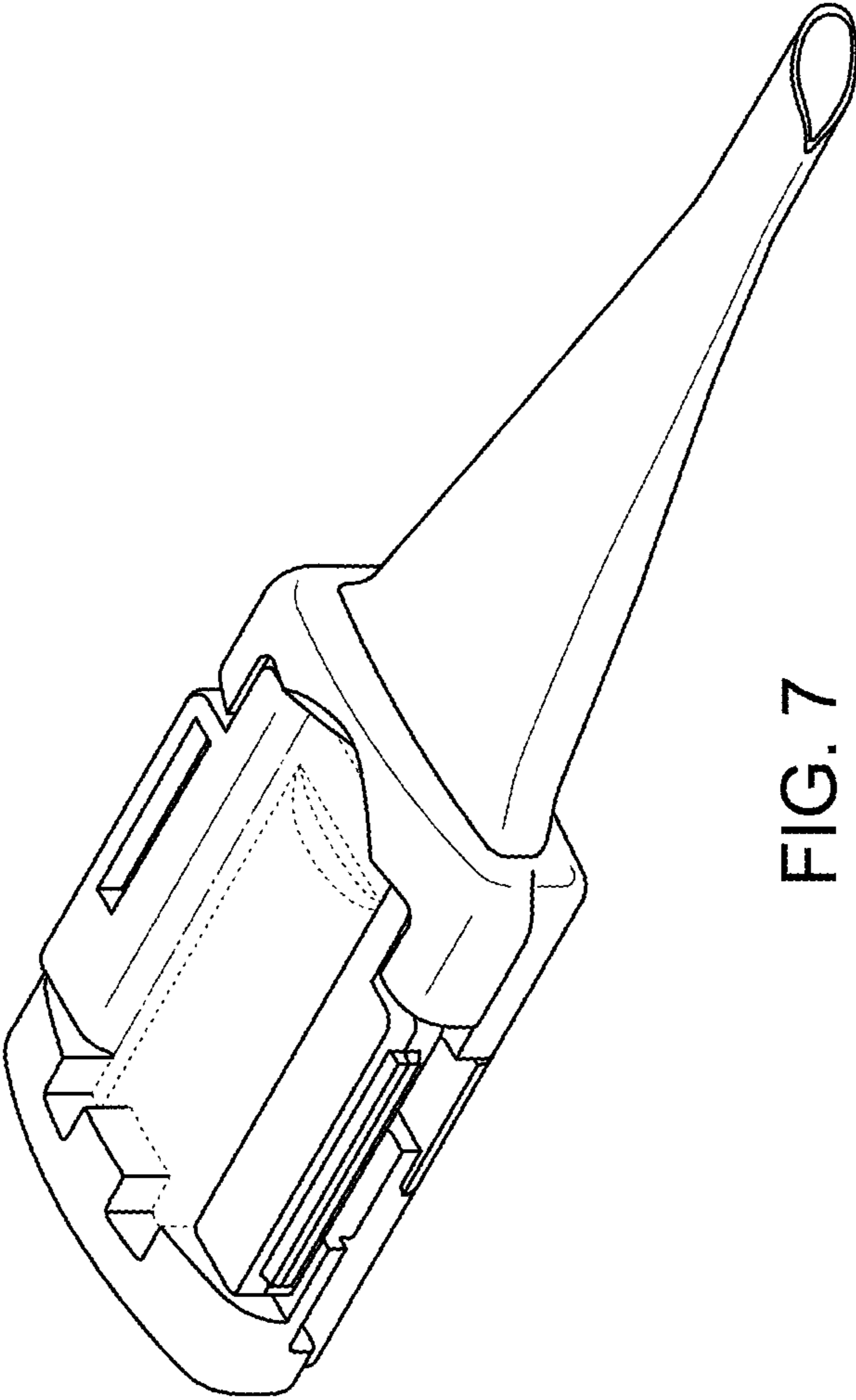


FIG. 7



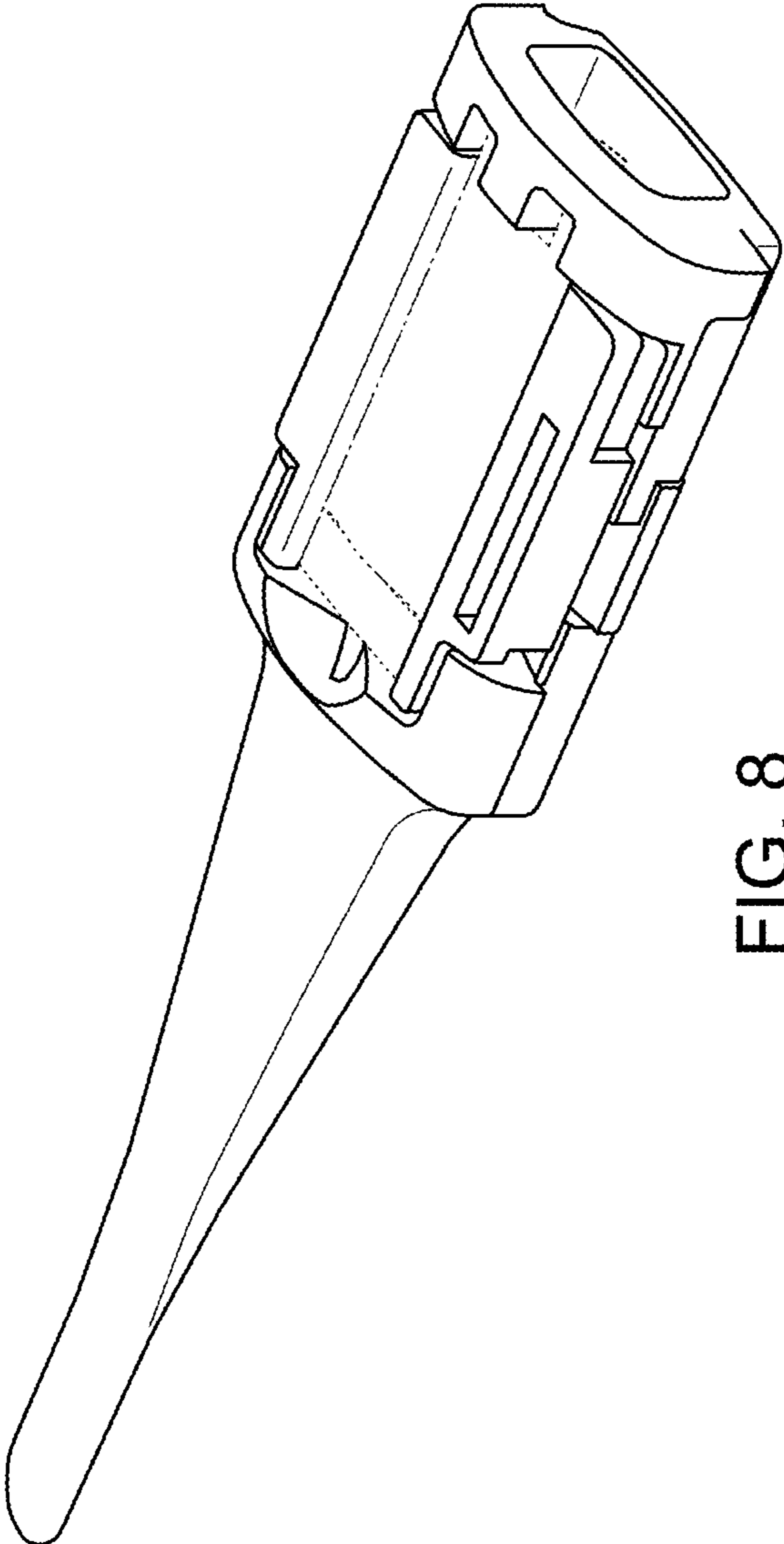


FIG. 8

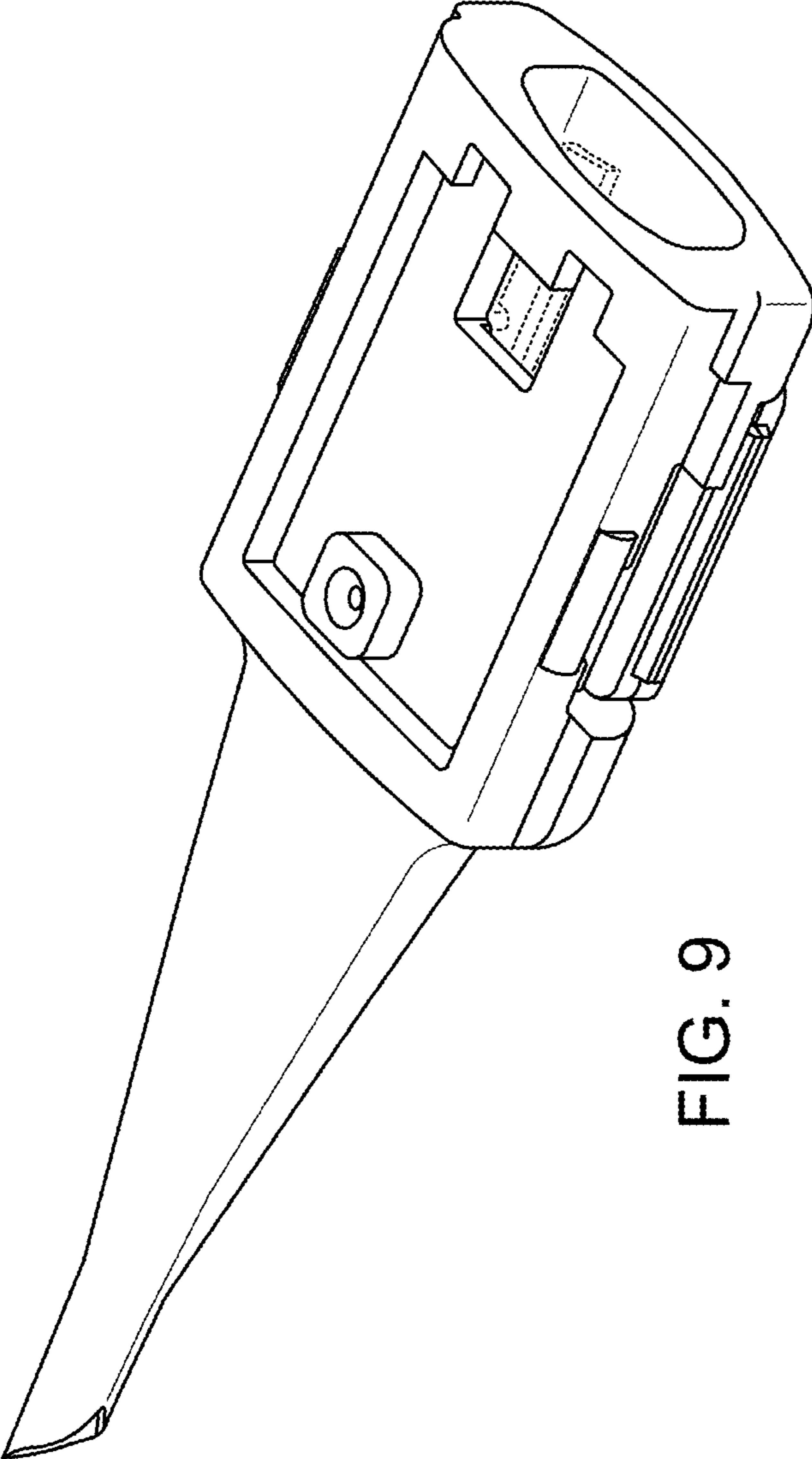


FIG. 9

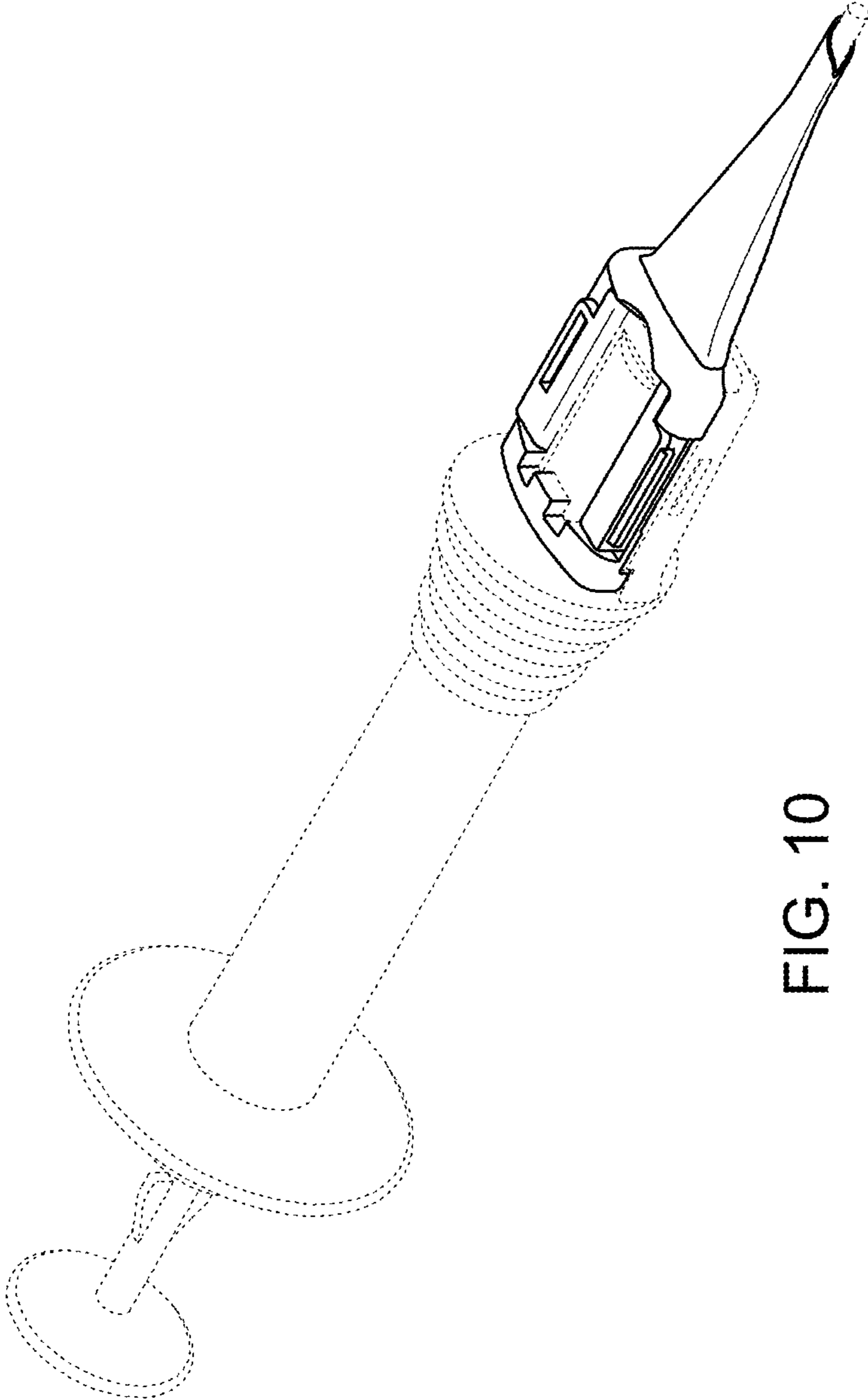


FIG. 10