



US00D747804S

(12) **United States Design Patent**
Rehman et al.

(10) **Patent No.:** **US D747,804 S**
(45) **Date of Patent:** **** Jan. 19, 2016**

(54) **MEDICAL INSTRUMENT GUIDING DEVICE**

(71) Applicant: **ARC Surgicals Manufacturing LLC**,
Orlando, FL (US)

(72) Inventors: **Tausif Ur Rehman**, Lawrence, KS (US);
Atiq Ur Rehman, Lawrence, KS (US);
Habeel Gazi, Orlando, FL (US)

(**) Term: **14 Years**

(21) Appl. No.: **29/499,916**

(22) Filed: **Aug. 20, 2014**

(51) **LOC (10) Cl.** **24-02**

(52) **U.S. Cl.**
USPC **D24/140**

(58) **Field of Classification Search**
USPC D24/140, 133, 155; 600/410;
606/86 R-91, 96-103, 246, 248;
623/17.11, 17.16
CPC A61B 17/3403; A61B 19/201; A61B
2019/267; A61B 2017/00407; A61M
2025/0213; A61N 1/0539
See application file for complete search history.

(56) **References Cited**

U.S. PATENT DOCUMENTS

5,927,277	A *	7/1999	Baudino et al.	600/386
6,044,304	A *	3/2000	Baudino	607/116
7,580,756	B2 *	8/2009	Schulte et al.	607/116
D624,181	S *	9/2010	Harata et al.	D24/129
7,949,410	B2 *	5/2011	Rodriguez	607/116
D649,245	S *	11/2011	Klebs et al.	D24/140
D666,720	S *	9/2012	Kecman et al.	D24/140
8,845,655	B2 *	9/2014	Henderson et al.	606/130
2005/0143799	A1 *	6/2005	Black et al.	607/116
2005/0143800	A1 *	6/2005	Lando et al.	607/116

2005/0182464	A1 *	8/2005	Schulte et al.	607/115
2010/0082040	A1 *	4/2010	Sahni	606/130
2010/0198006	A1 *	8/2010	Greenburg et al.	600/104
2011/0034981	A1 *	2/2011	Schulte et al.	607/116
2011/0054518	A1 *	3/2011	Carbunaru et al.	606/213
2011/0126844	A1 *	6/2011	Cinquin et al.	128/845
2012/0203236	A1 *	8/2012	Mamourian	606/96
2012/0277670	A1 *	11/2012	Goetz et al.	604/93.01
2015/0112348	A1 *	4/2015	Schoenefeld et al.	606/87

* cited by examiner

Primary Examiner — Wan Laymon

Assistant Examiner — Mark Booker

(74) *Attorney, Agent, or Firm* — Mitchell Law PLLC;
Matthew W. Mitchell

(57) **CLAIM**

The ornamental design for a medical instrument guiding device, as shown and described.

DESCRIPTION

FIG. 1 is an isometric view of the medical instrument guiding device of the present invention;

FIG. 2 is a front view of the medical instrument guiding device of FIG. 1;

FIG. 3 is a rear view of the medical instrument guiding device of FIG. 1;

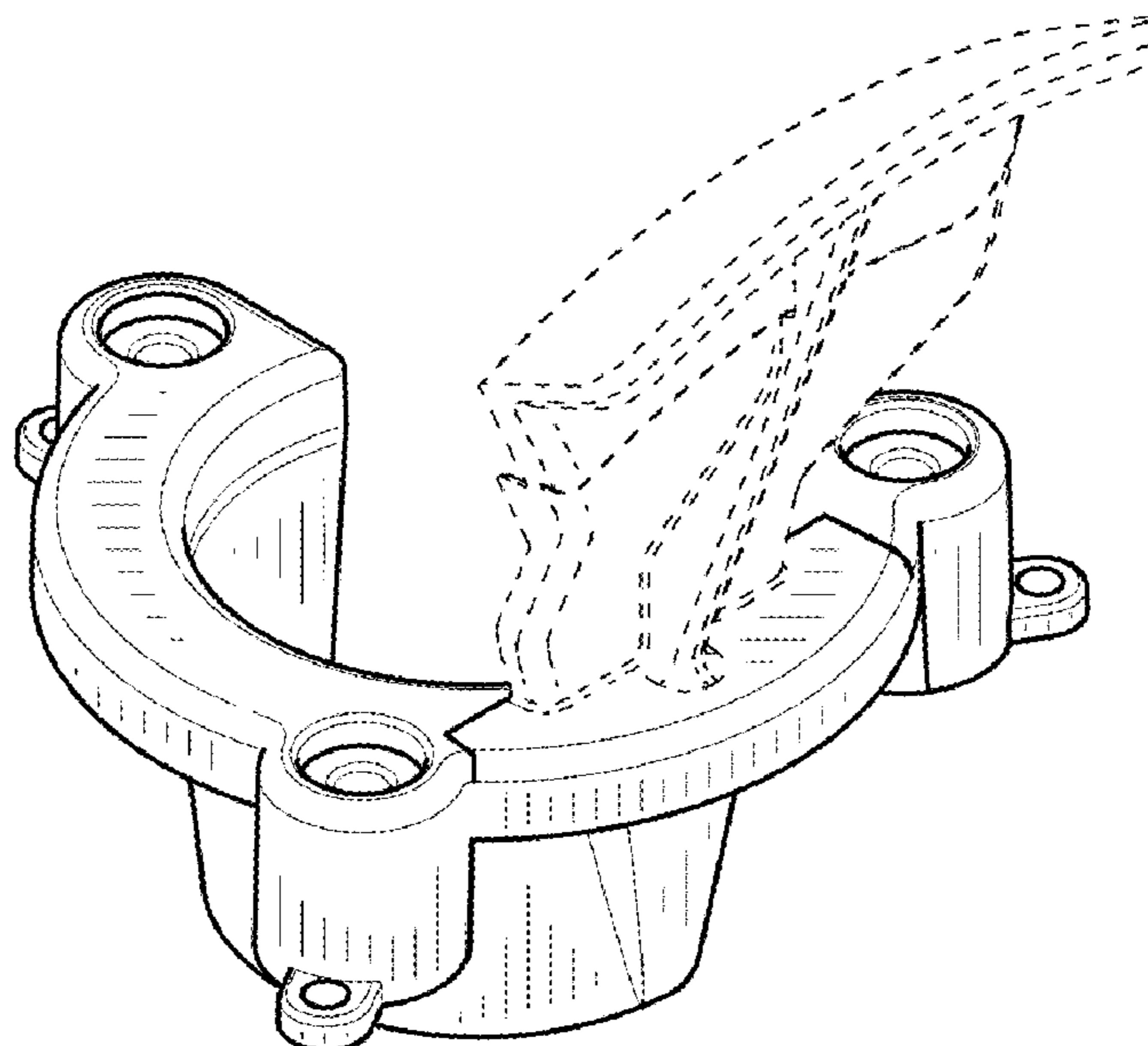
FIG. 4 is a side view of the medical instrument guiding device of FIG. 1, as seen from the left side of FIG. 4;

FIG. 5 is a side view of the medical instrument guiding device of FIG. 1, as seen from the right side of FIG. 4; and,

FIG. 6 is a top plan view of the medical instrument guiding device of FIG. 1.

The broken line showing an instrument attachment portion is included for contextual purposes and forms no part of the claimed design.

1 Claim, 3 Drawing Sheets



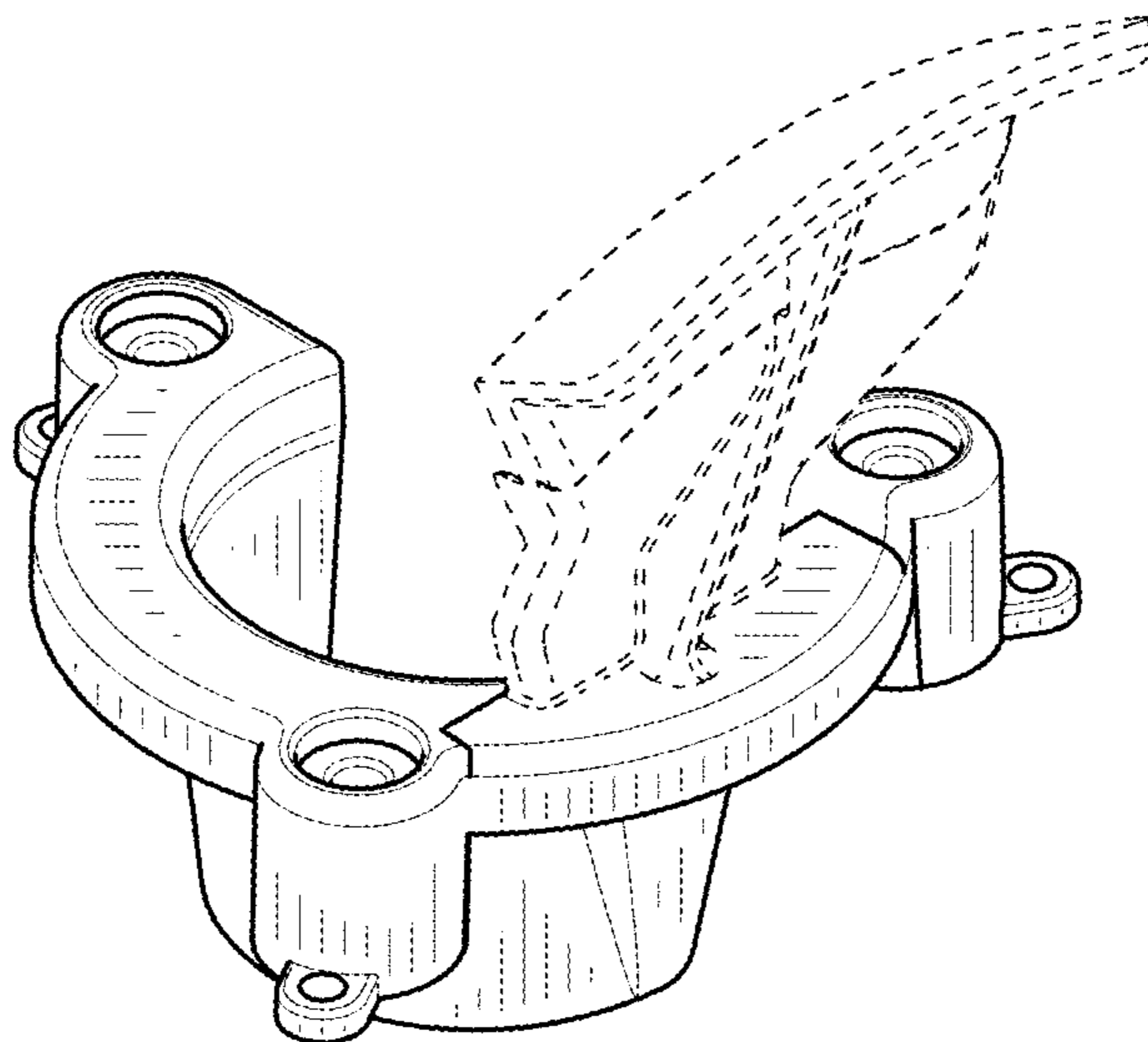


FIG. 1

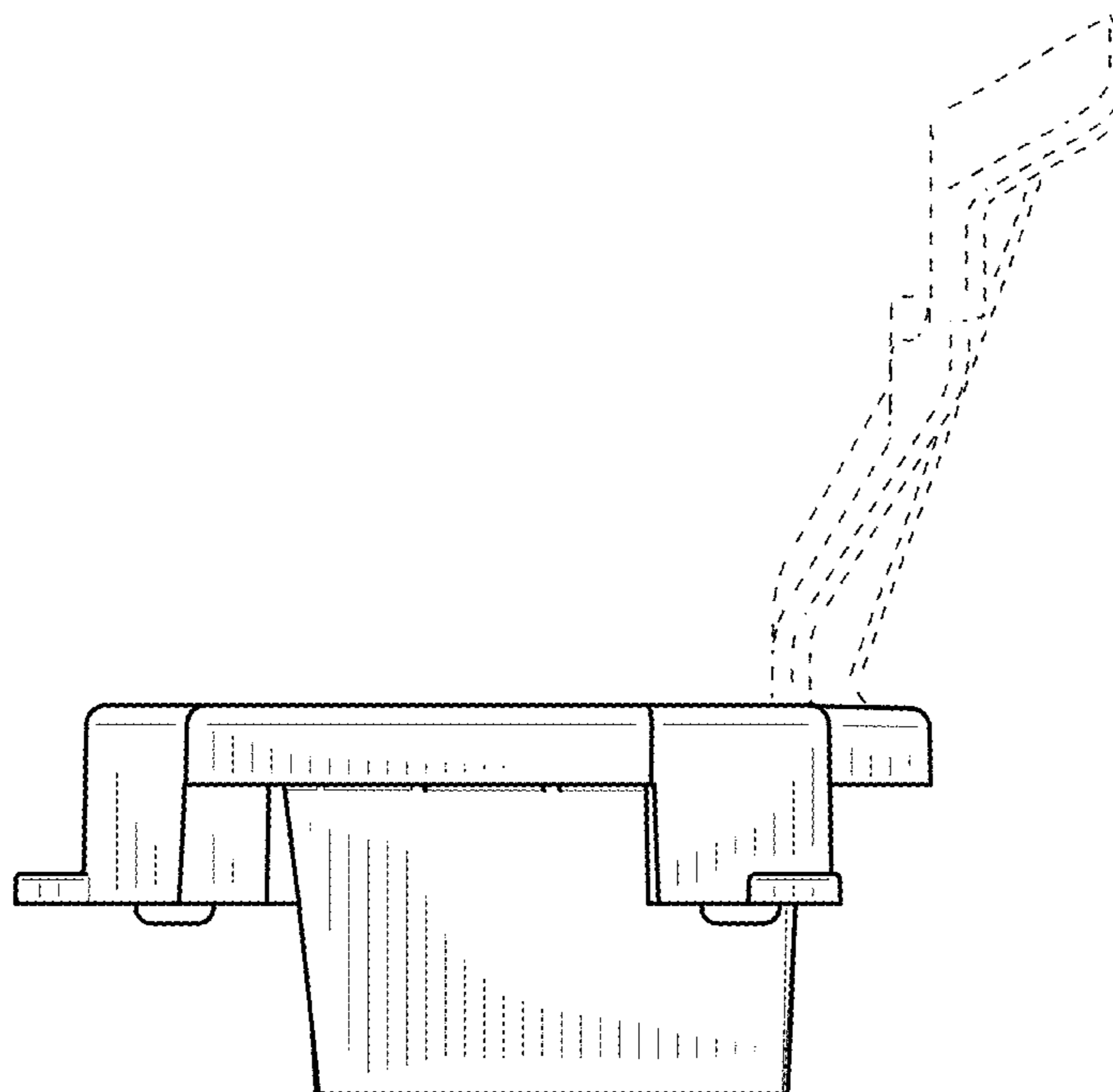


FIG. 2

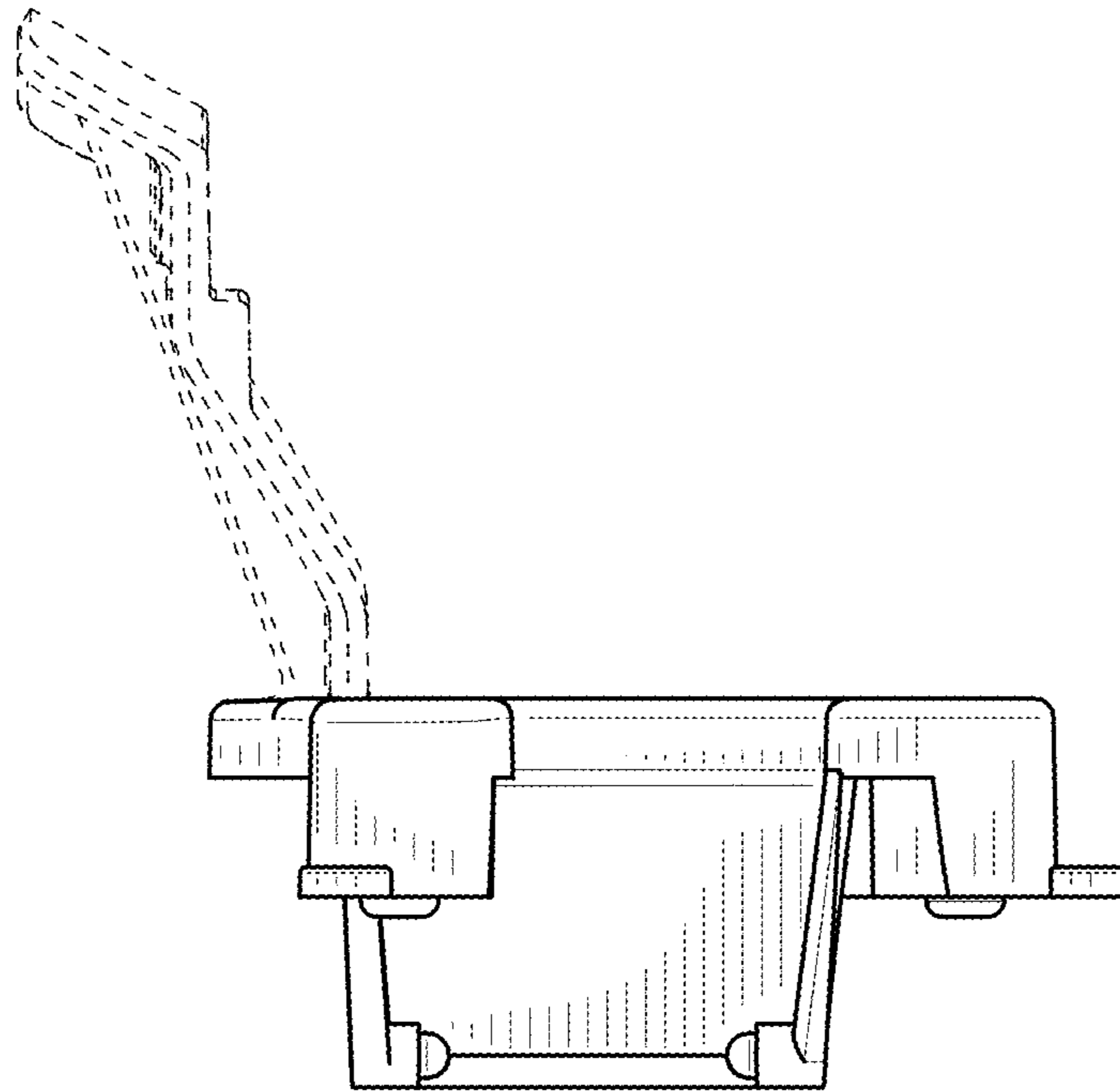


FIG. 3

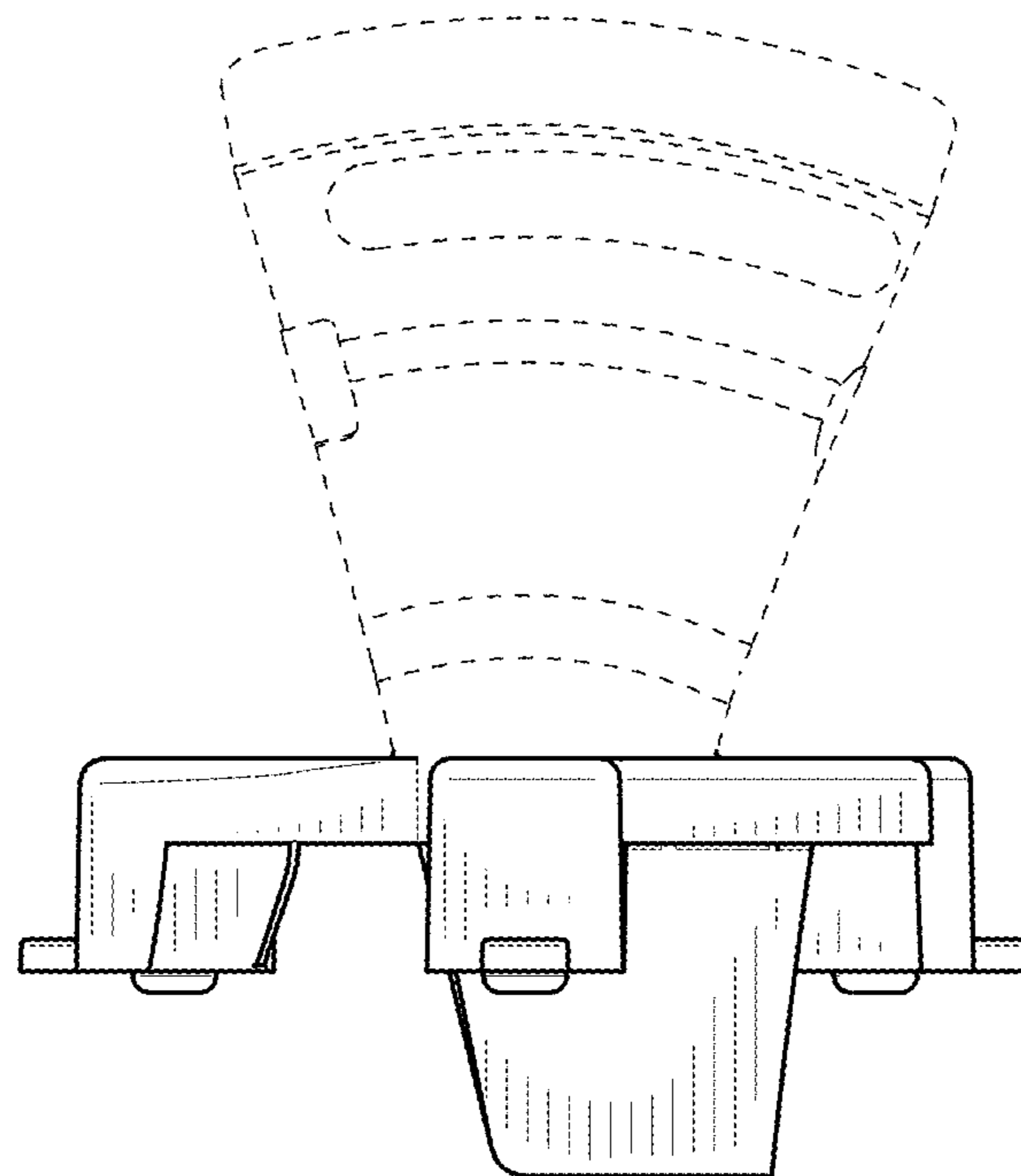


FIG. 4

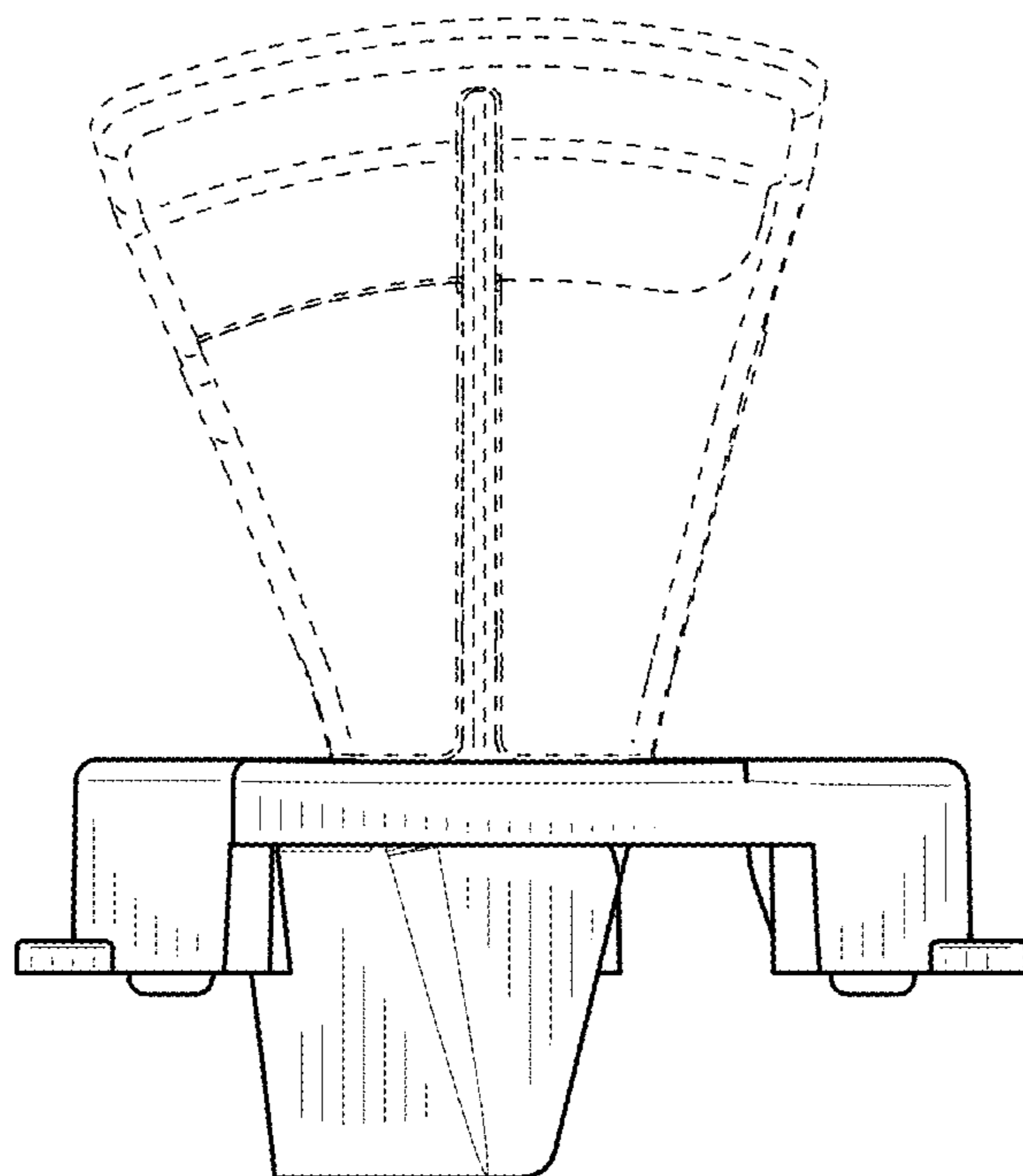


FIG. 5

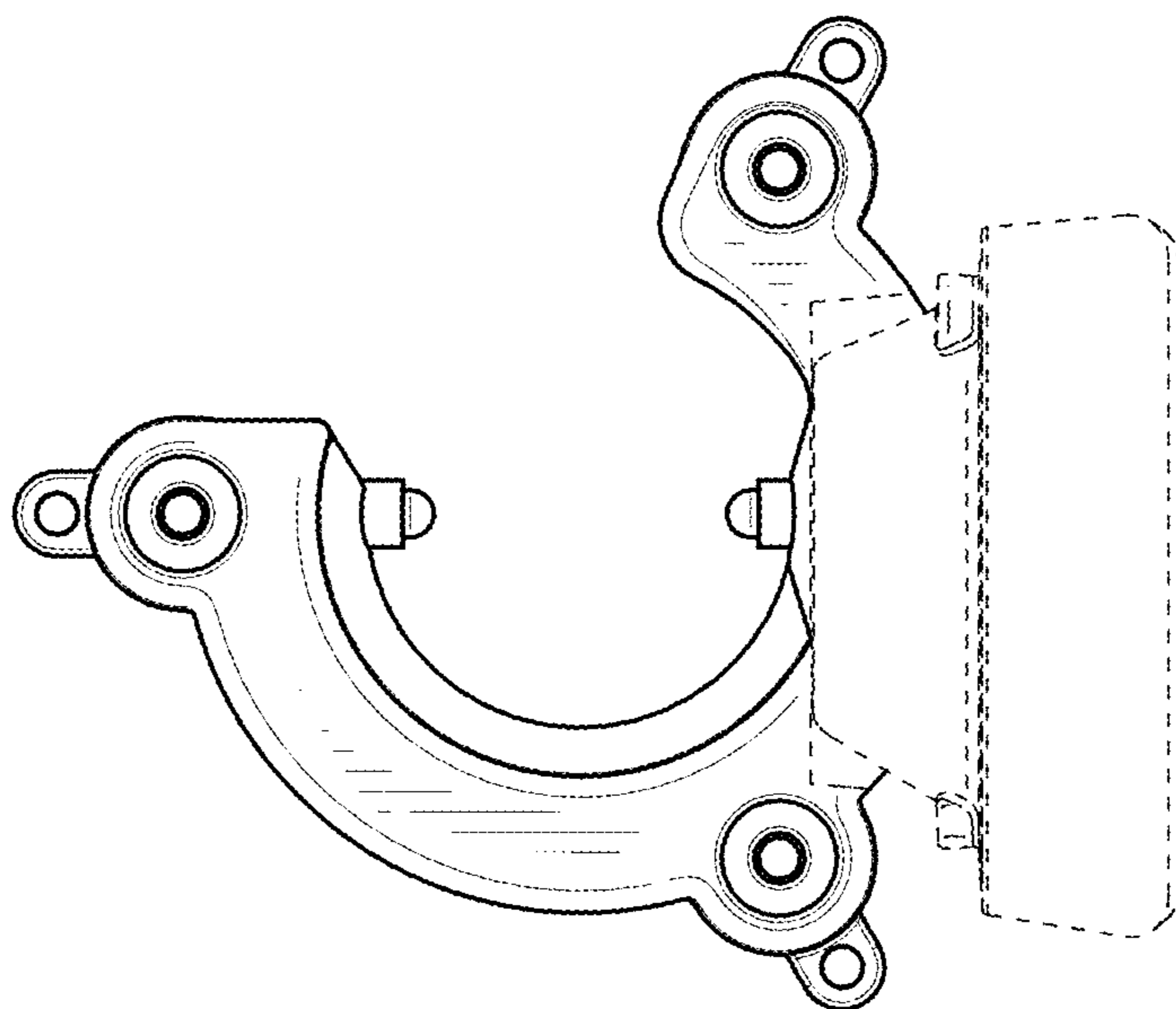


FIG. 6