



US00D747802S

(12) **United States Design Patent**  
**Freigang et al.**

(10) **Patent No.:** **US D747,802 S**  
(45) **Date of Patent:** **\*\* Jan. 19, 2016**

(54) **TUNNELER**

(71) Applicant: **B. Braun Melsungen AG**, Melsungen (DE)

(72) Inventors: **Helmut Freigang**, Koerle (DE); **Thilo Hogrebe**, Hamburg (DE); **Fred Held**, Hamburg (DE)

(73) Assignee: **B. Braun Melsungen AG**, Melsungen (DE)

(\*\*) Term: **14 Years**

(21) Appl. No.: **29/497,783**

(22) Filed: **Jul. 29, 2014**

(30) **Foreign Application Priority Data**

Jan. 29, 2014 (EM) ..... 001401434-0001

(51) **LOC (10) Cl.** ..... **24-02**

(52) **U.S. Cl.**  
USPC ..... **D24/133**

(58) **Field of Classification Search**  
USPC ..... D4/133; D24/108, 144, 146, 147, 145;  
D8/40, 82, 303; 606/40, 41, 46, 45,  
606/167, 147  
CPC ..... A61B 17/32; A61B 17/320016; A61B  
17/3415; A61M 25/0194

See application file for complete search history.

(56) **References Cited**

U.S. PATENT DOCUMENTS

D483,475	S	*	12/2003	Kirwan et al.	.....	D24/108
D629,098	S	*	12/2010	Sonleiter	.....	D24/133
D674,489	S	*	1/2013	McCormack	.....	D24/133
D692,134	S	*	10/2013	Lee-Sepsick	.....	D24/146
D736,923	S	*	8/2015	Snow	.....	D24/146
2005/0027282	A1	*	2/2005	Schweikert	.....	A61B 17/3415 604/523
2012/0043347	A1	*	2/2012	Meron	.....	A61B 17/00491 222/137
2014/0188148	A1	*	7/2014	le Blanc	.....	A61B 17/32 606/181

\* cited by examiner

*Primary Examiner* — Wan Laymon

*Assistant Examiner* — Mark Booker

(74) *Attorney, Agent, or Firm* — Harris Beach PLLC

(57) **CLAIM**

The ornamental design for a tunneler, as shown and described.

**DESCRIPTION**

FIG. 1 is a perspective view of a tunneler, illustrating our new design;

FIG. 2 is an enlarged front elevation view thereof;

FIG. 3 is an enlarged rear elevation view thereof;

FIG. 4 is a top elevation view thereof;

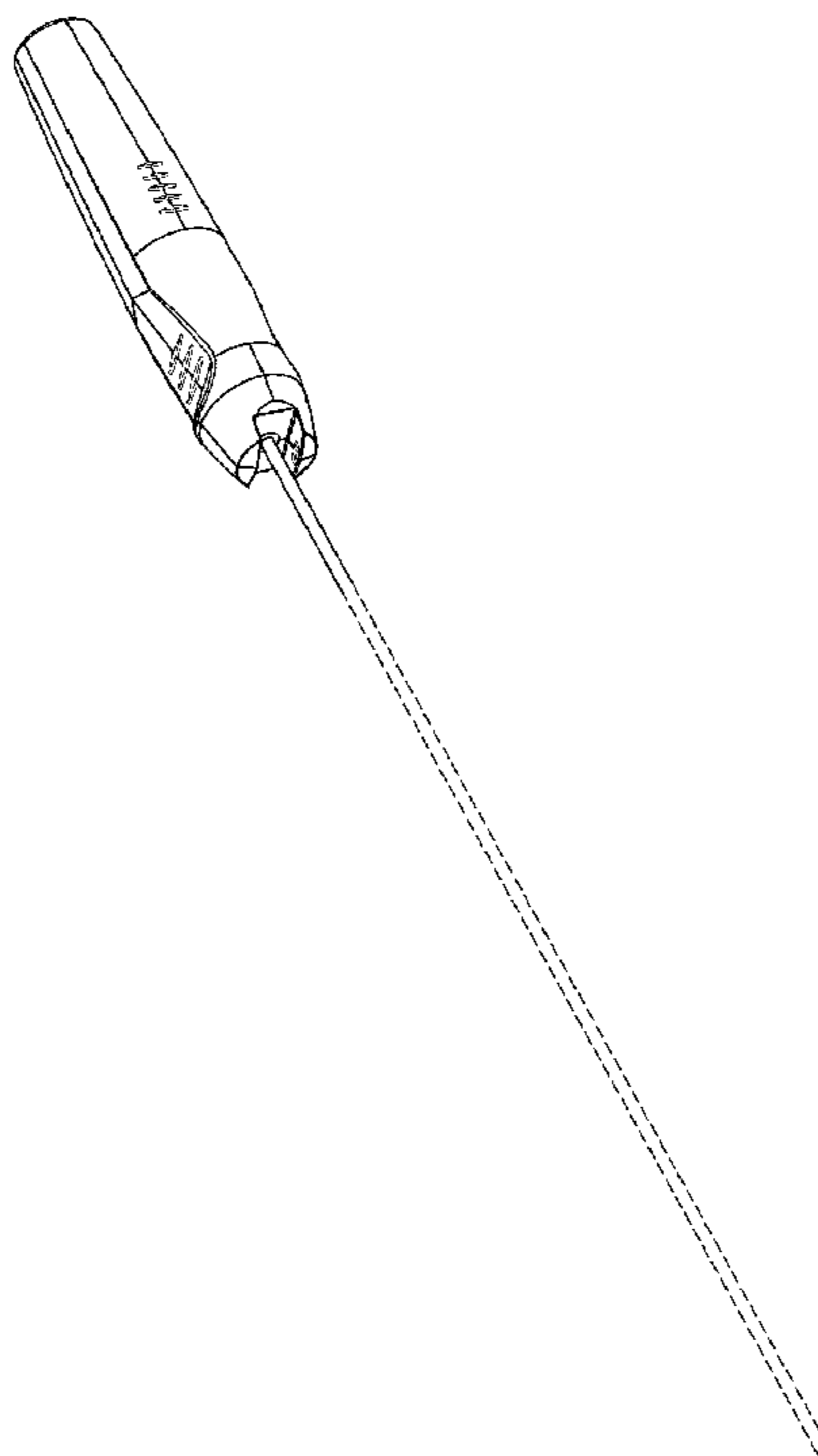
FIG. 5 is a bottom elevation view thereof;

FIG. 6 is a left end elevation view thereof; and,

FIG. 7 is a right end elevation view thereof.

The broken lines shown in the figures are included for the purpose of illustrating portions of the article and form no part of the claimed design.

**1 Claim, 7 Drawing Sheets**



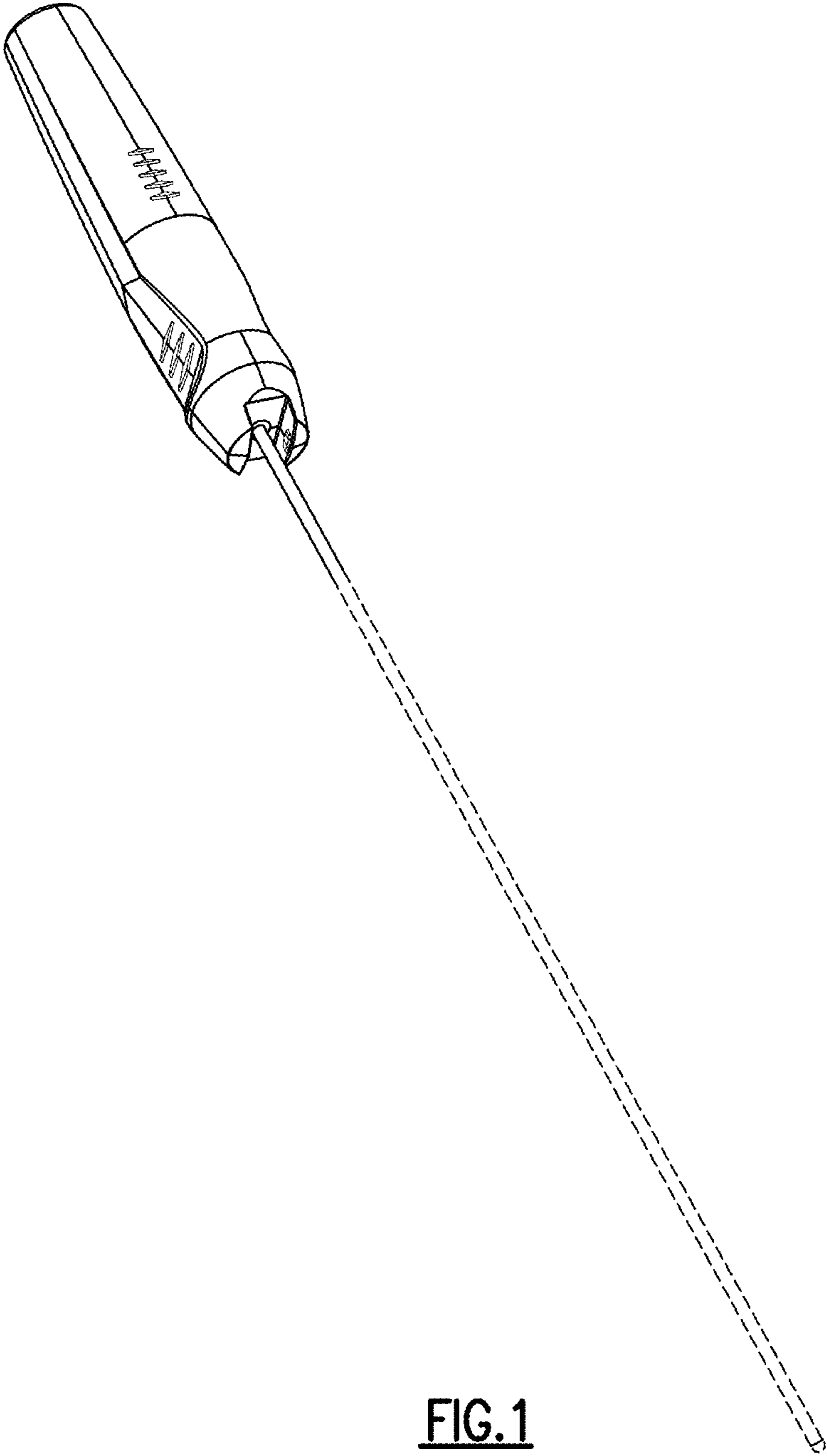


FIG. 1

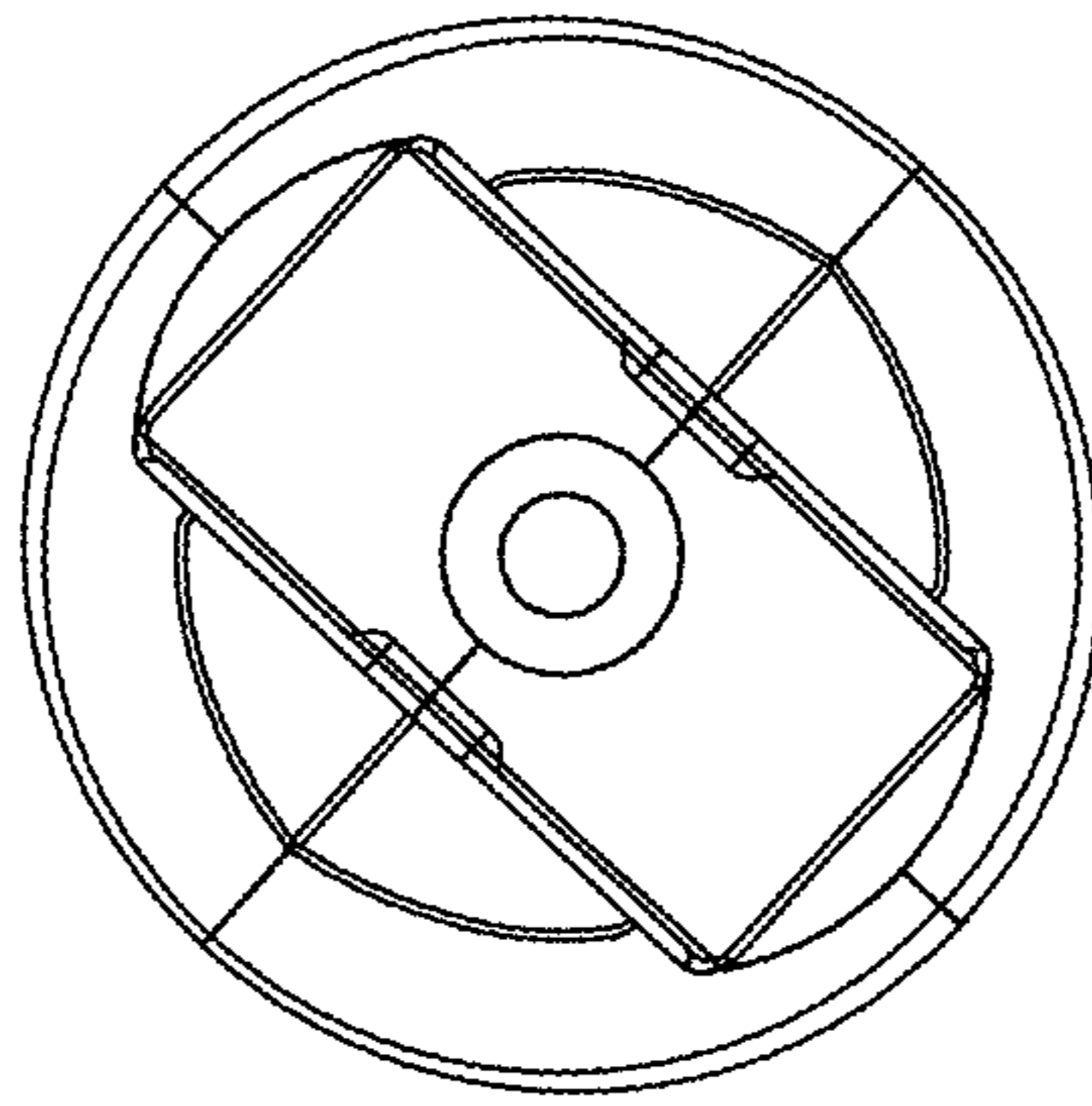


FIG. 2

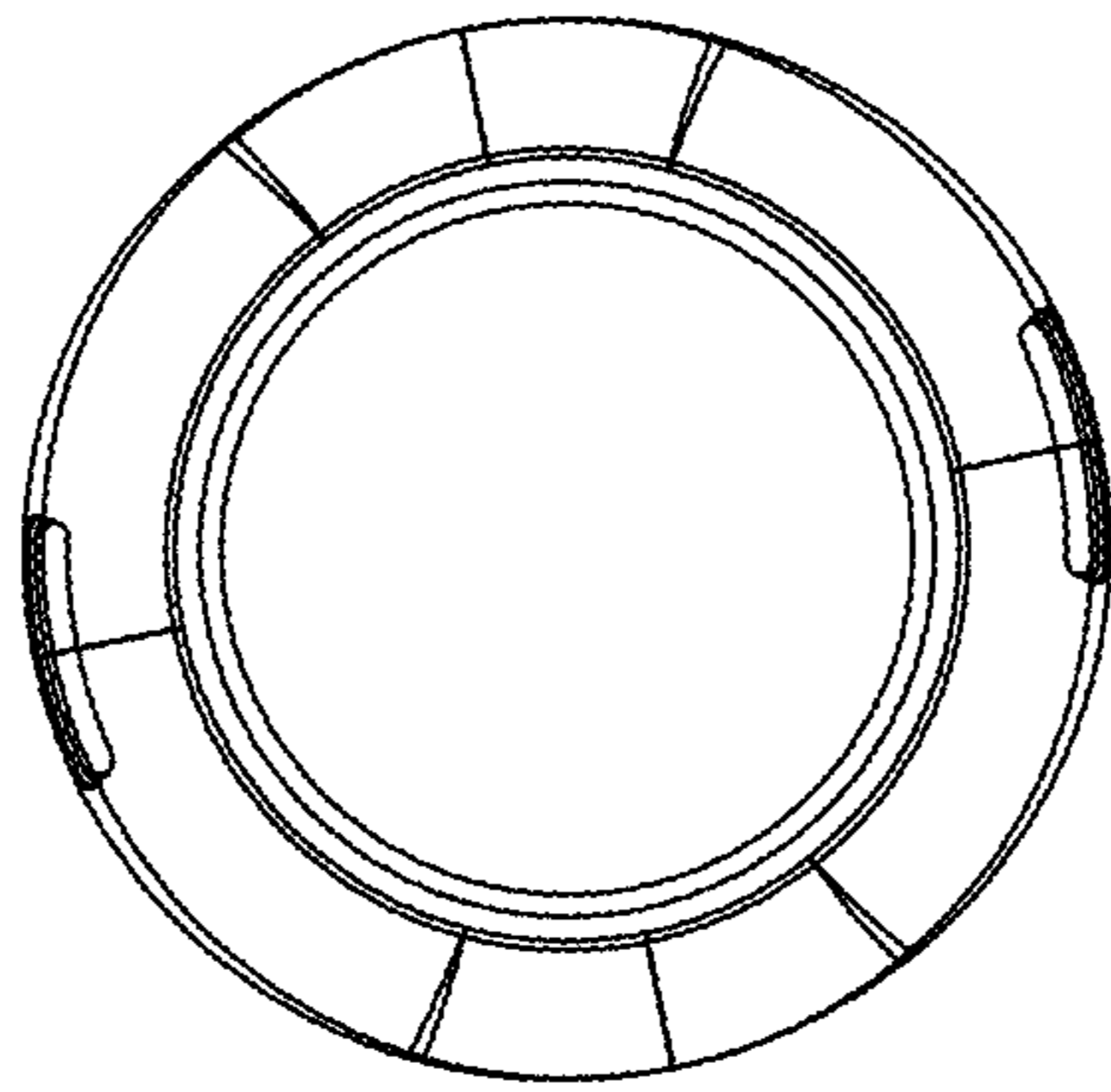


FIG.3

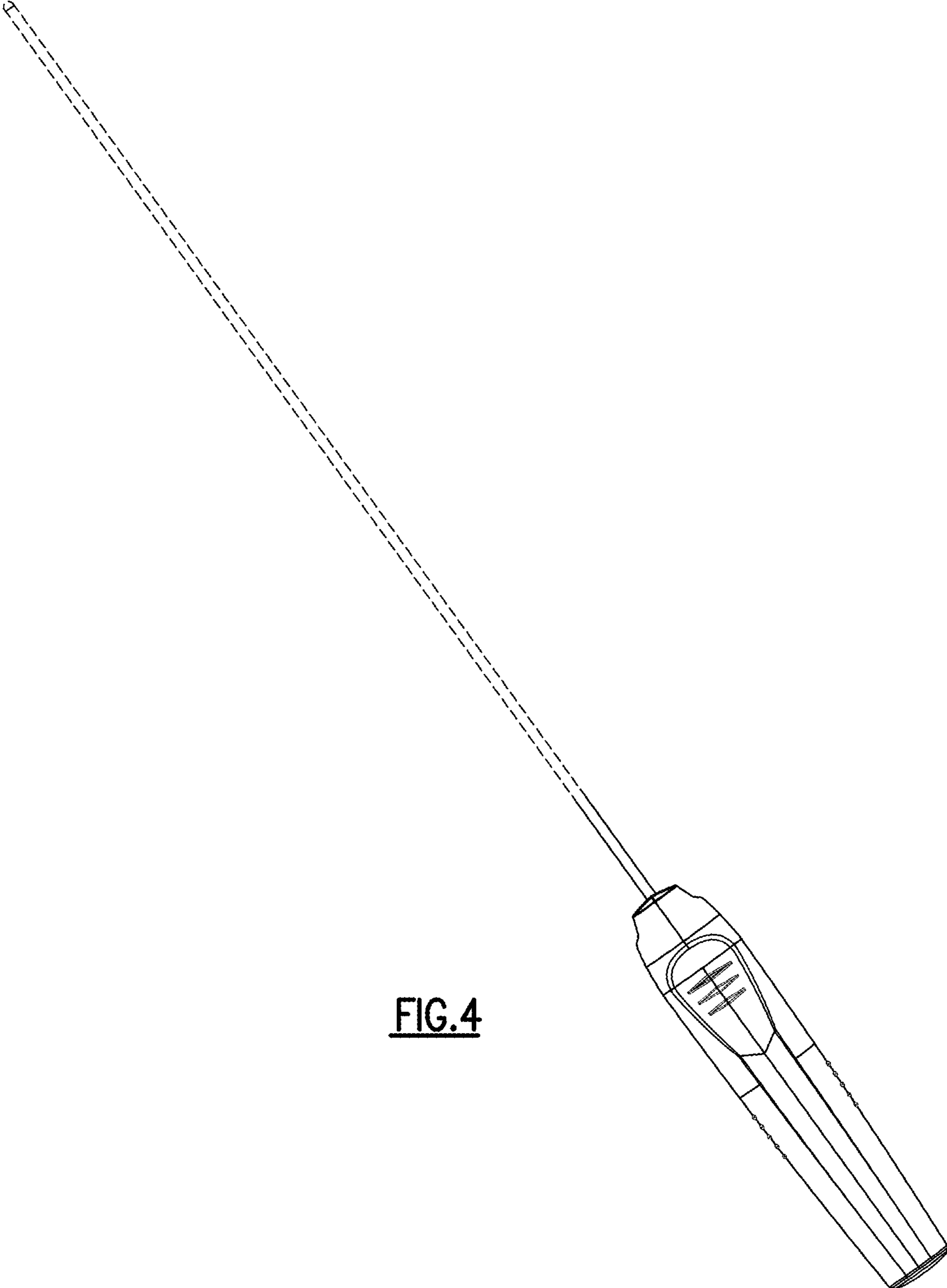


FIG.4

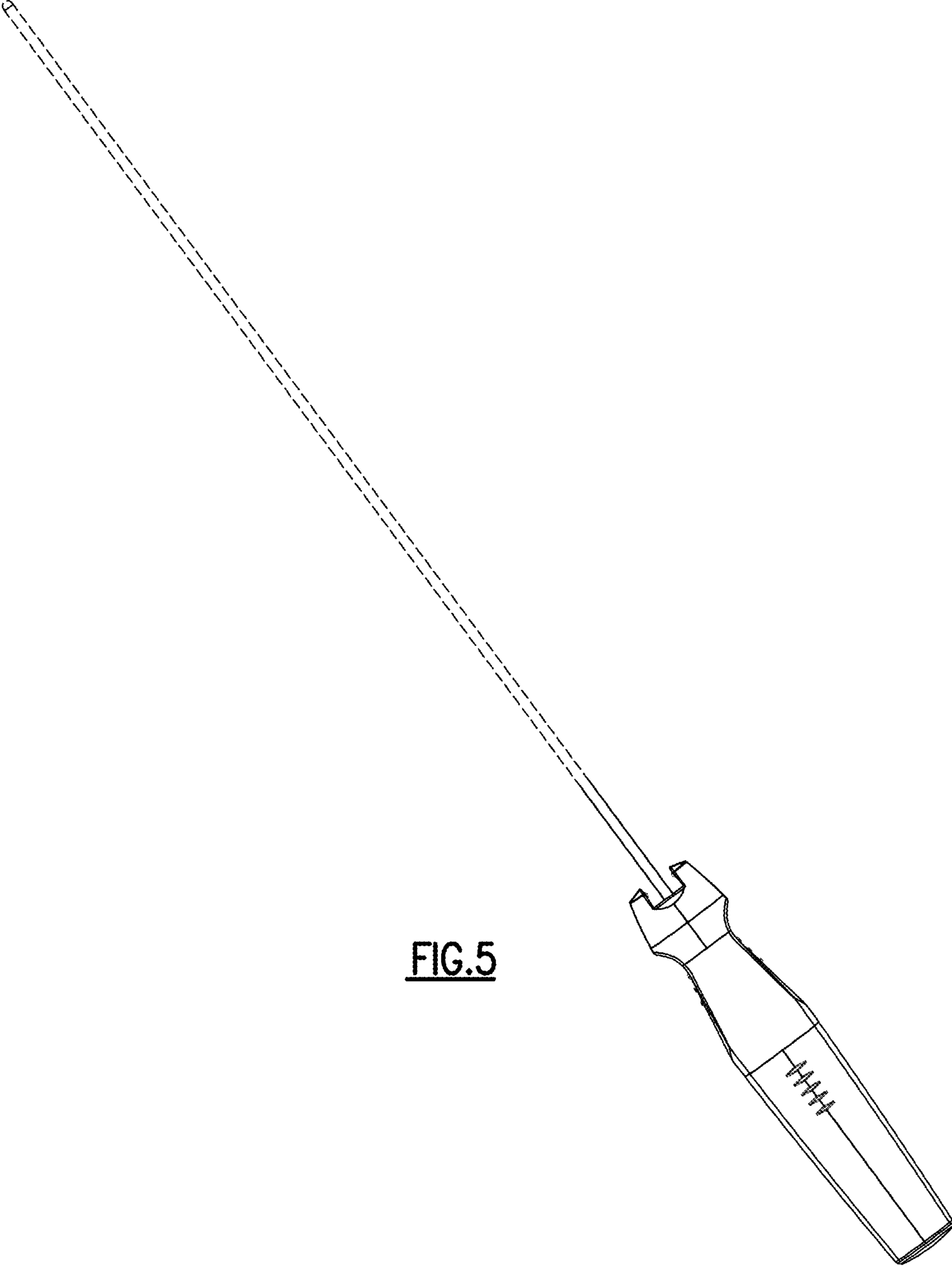


FIG. 5

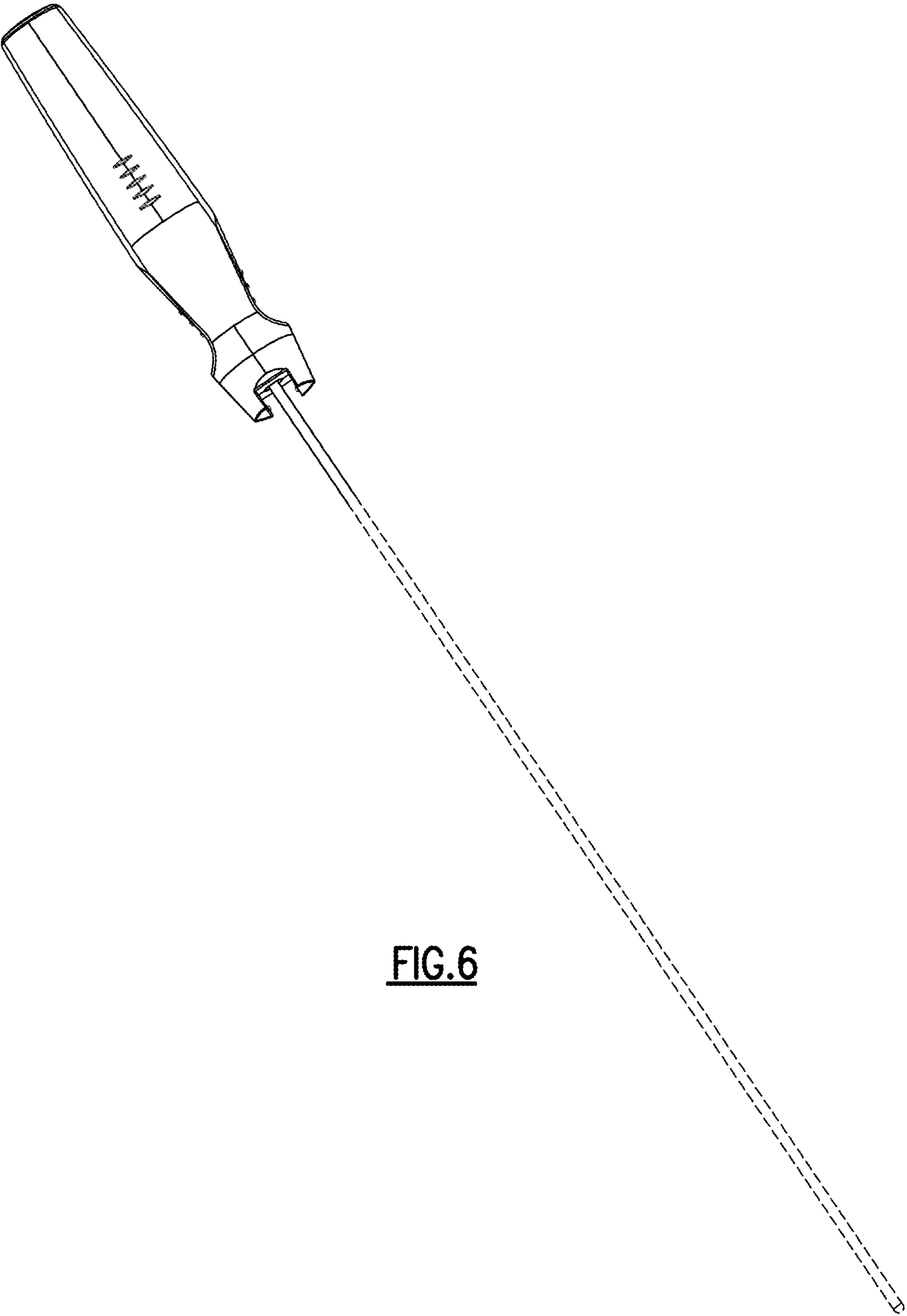


FIG. 6

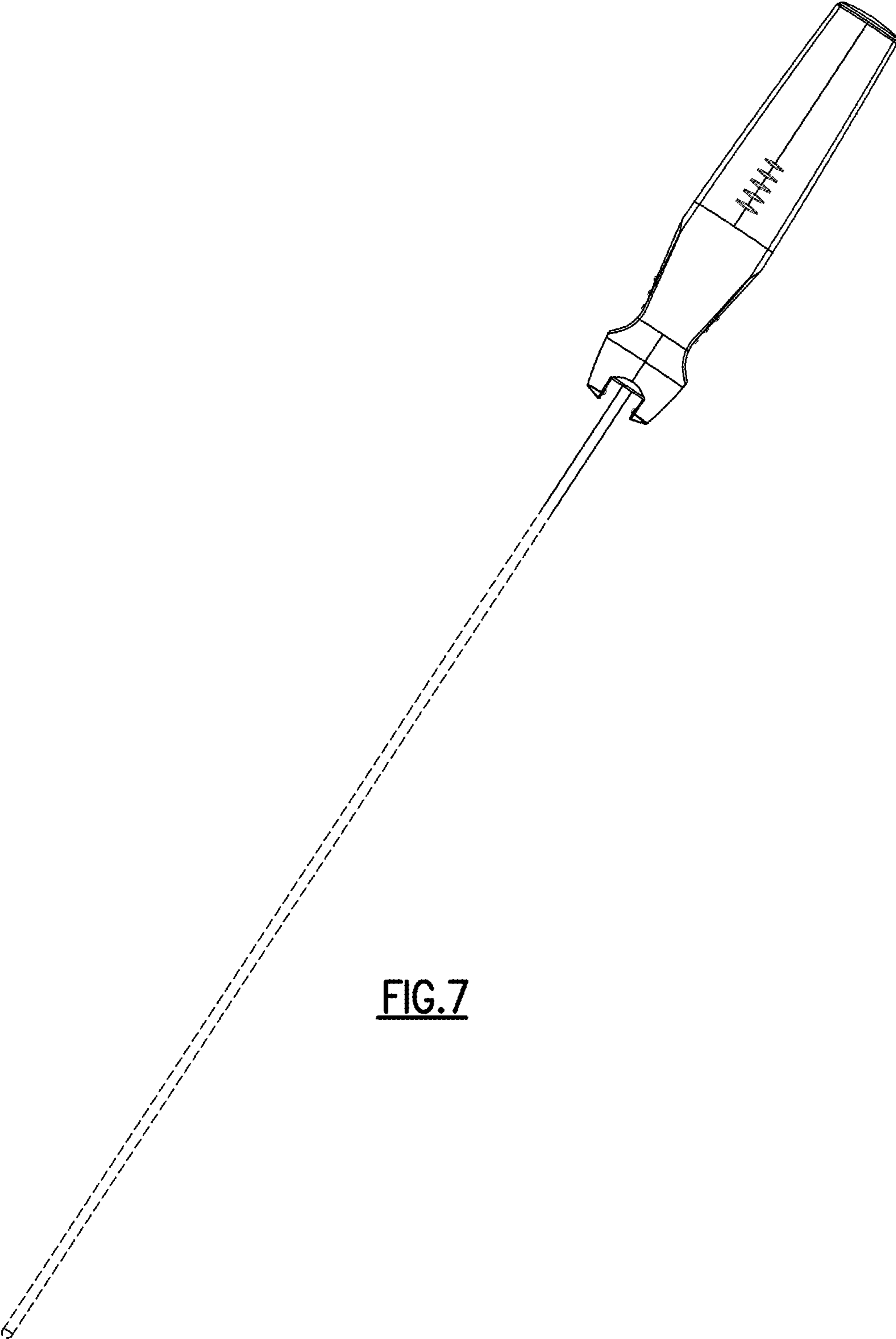


FIG. 7