



US00D747801S

(12) **United States Design Patent**  
**Kwon et al.**

(10) **Patent No.:** **US D747,801 S**  
(45) **Date of Patent:** **\*\* Jan. 19, 2016**

(54) **HANDPIECE FOR SKIN CARE DEVICE**

(71) Applicant: **Amorepacific Corporation**, Seoul (KR)

(72) Inventors: **Min Kyung Kwon**, Gyeonggi-do (KR);  
**Ji Hye Jang**, Gyeonggi-do (KR); **Joon Ho Bae**, Gyeonggi-do (KR)

(73) Assignee: **AMOREPACIFIC CORPORATION**,  
Yongsan-gu, Seoul (KR)

(\*\*) Term: **14 Years**

(21) Appl. No.: **29/481,740**

(22) Filed: **Feb. 10, 2014**

(51) **LOC (10) Cl.** ..... **24-02**

(52) **U.S. Cl.**  
USPC ..... **D24/133**

(58) **Field of Classification Search**  
USPC ..... D24/133, 153, 143, 144, 145, 146, 147,  
D24/148, 132, 188, 214; D8/51, 52, 54;  
606/45, 51, 41, 1, 46, 40, 167, 174,  
606/277, 324, 120, 147, 151, 205, 206, 207  
See application file for complete search history.

(56) **References Cited**

**U.S. PATENT DOCUMENTS**

5,184,625	A *	2/1993	Cottone et al.	600/564
D478,986	S *	8/2003	Johnston et al.	D24/133
6,689,072	B2 *	2/2004	Kaplan et al.	600/567
D575,395	S *	8/2008	Hushka	D24/133
D665,909	S *	8/2012	Dodd et al.	D24/146
D708,744	S *	7/2014	Morris et al.	D24/144
D708,746	S *	7/2014	Cabrera et al.	D24/145

D717,431	S *	11/2014	Cardinale et al.	D24/133
2009/0030414	A1 *	1/2009	Bayat	606/51
2009/0088738	A1 *	4/2009	Guerra et al.	606/41

\* cited by examiner

*Primary Examiner* — Ian Simmons

*Assistant Examiner* — Samantha Q Lawrence

(74) *Attorney, Agent, or Firm* — Jansson Munger McKinley & Kirby Ltd

(57) **CLAIM**

The ornamental design for a handpiece for skin care device, as shown and described.

**DESCRIPTION**

FIG. 1 is a perspective view of a handpiece for skin care device of the present design;  
 FIG. 2 is a front elevation view of the handpiece for skin care device shown in FIG. 1;  
 FIG. 3 is a rear elevation view of the handpiece for skin care device shown in FIG. 1;  
 FIG. 4 is a left side elevation view of the handpiece for skin care device shown in FIG. 1;  
 FIG. 5 is a right side elevation view of the handpiece for skin care device shown in FIG. 1;  
 FIG. 6 is a top plan view of the handpiece for skin care device shown in FIG. 1; and,  
 FIG. 7 is a bottom plan view of the handpiece for skin care device shown in FIG. 1.  
 The broken lines shown in FIG. 3 illustrates portions of the handpiece for skin care device that forms no part of the claimed design.

**1 Claim, 7 Drawing Sheets**

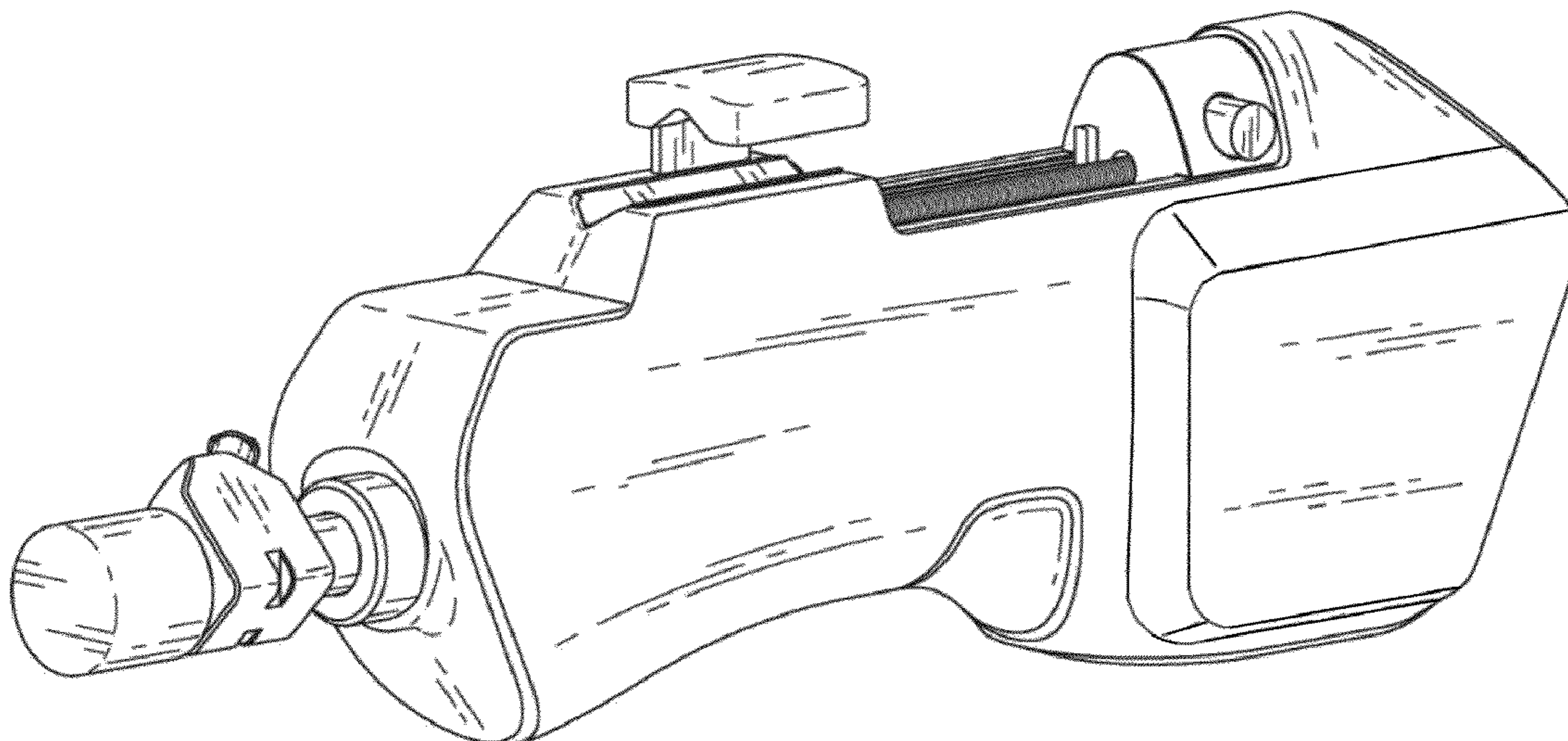


FIG. 1

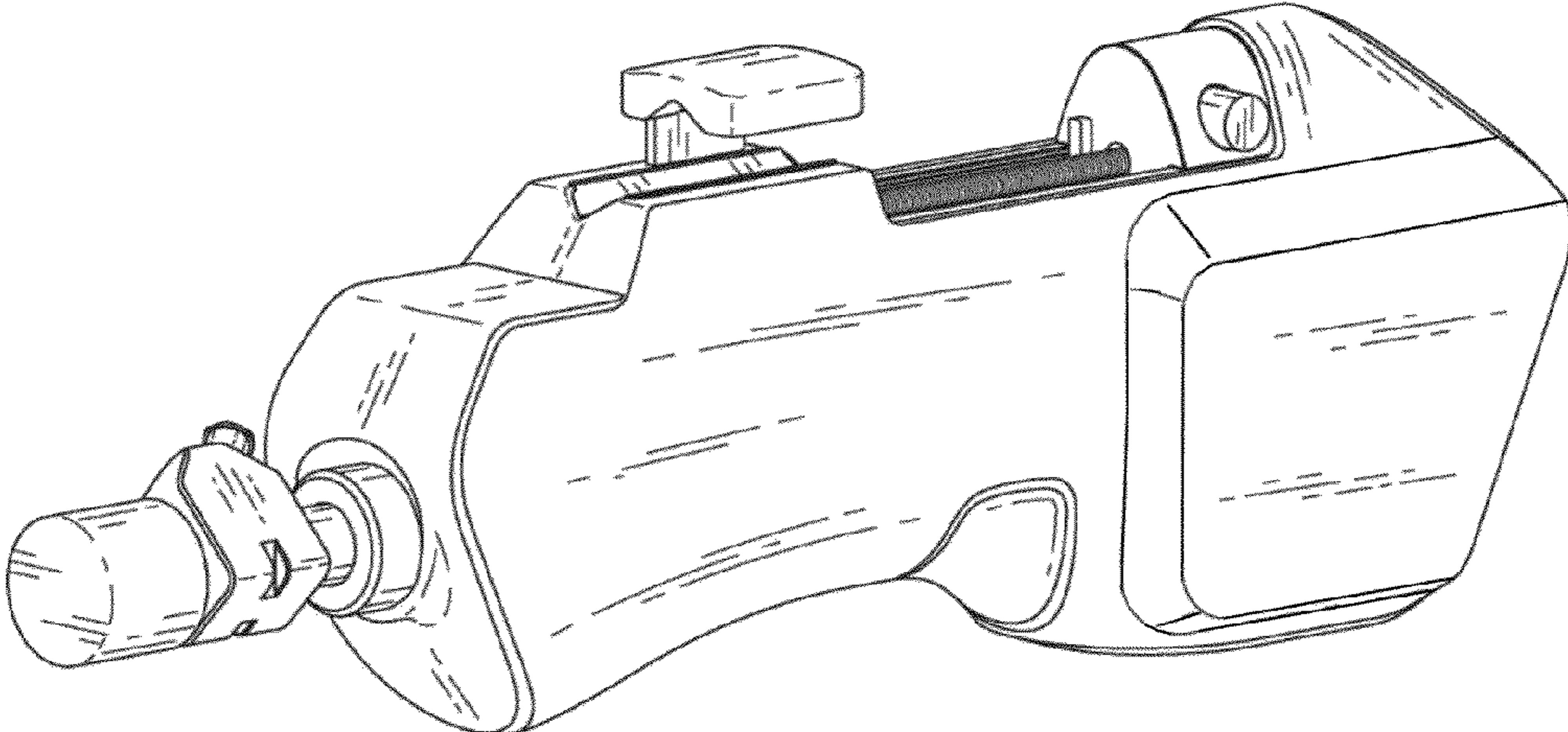


FIG. 2

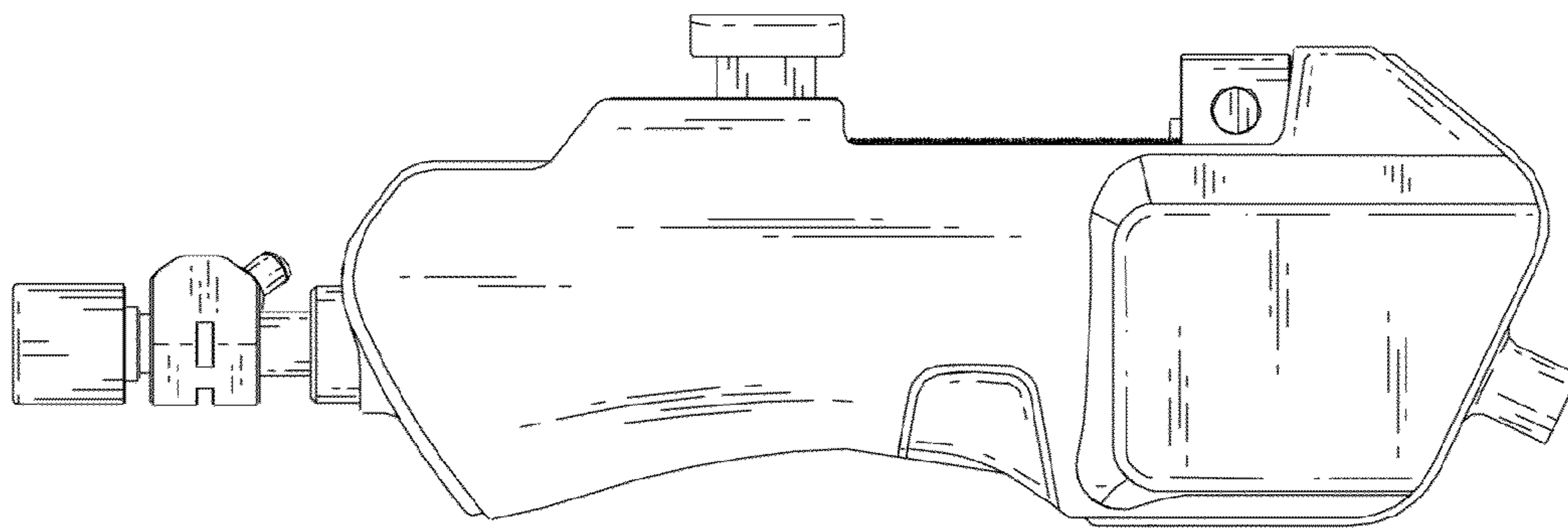


FIG. 3

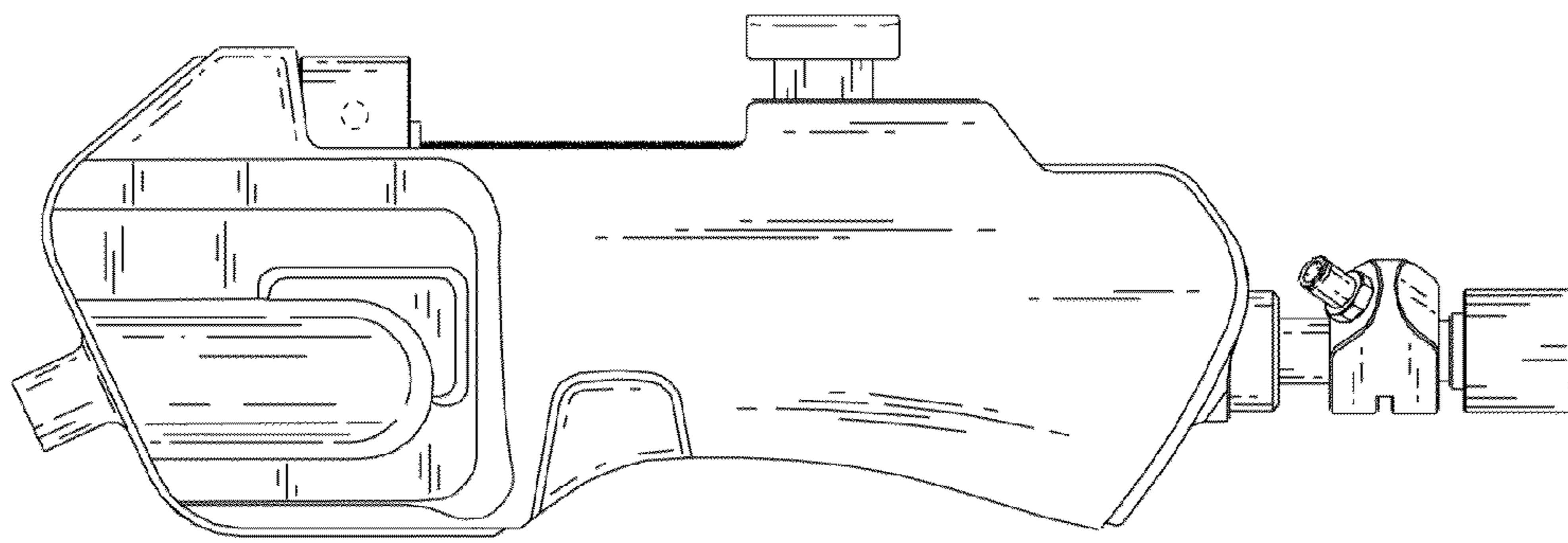


FIG. 4

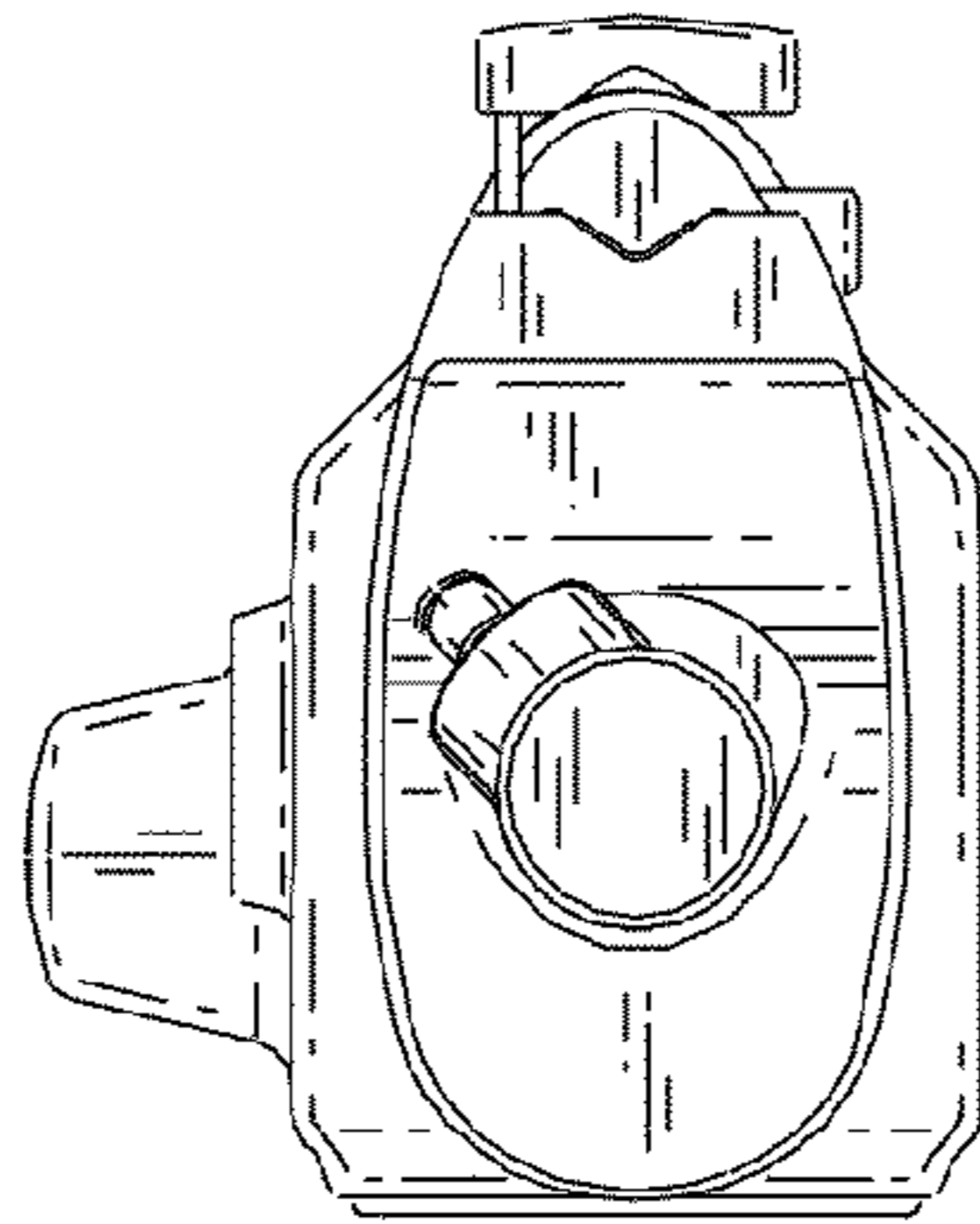




FIG. 5

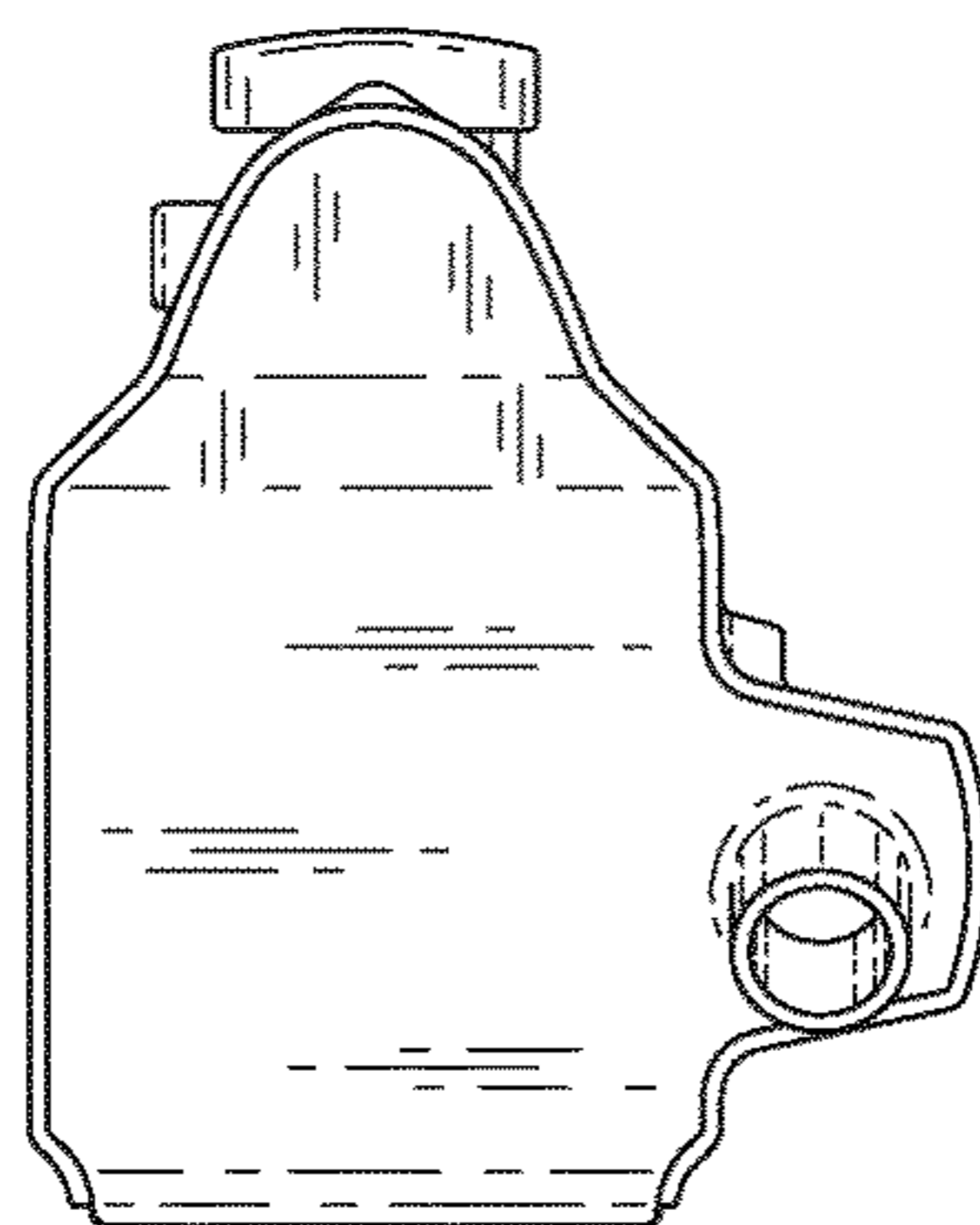


FIG. 6

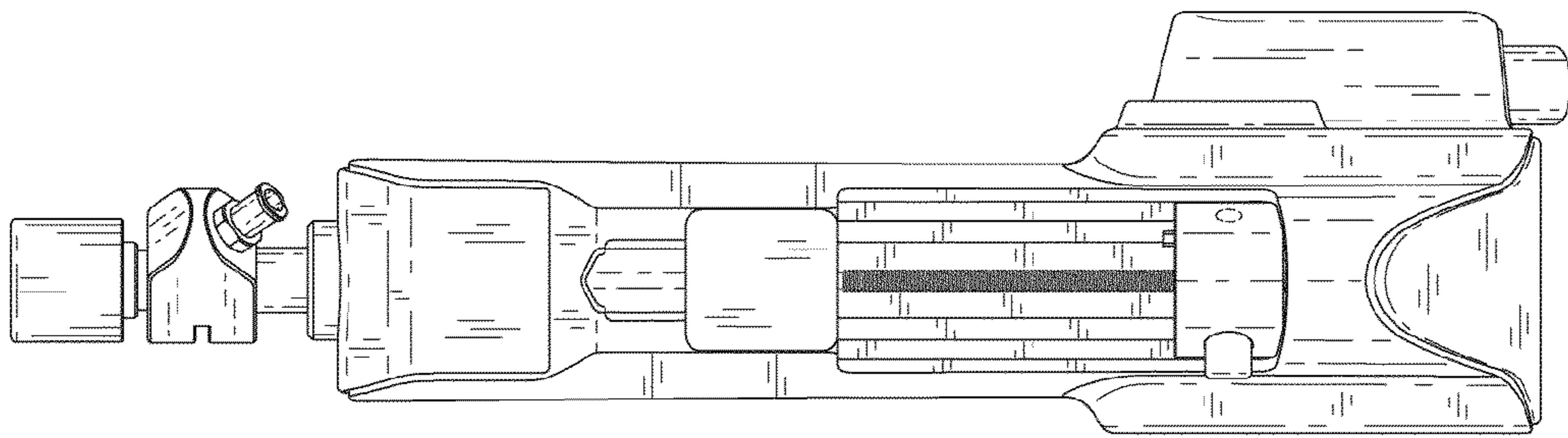


FIG. 7

