



US00D747799S

(12) **United States Design Patent**
Norton et al.

(10) **Patent No.:** **US D747,799 S**
(45) **Date of Patent:** **** Jan. 19, 2016**

(54) **CARTRIDGE**

(71) Applicant: **MEDIMOP Medical Projects Ltd.,**
Ra'anana (IL)

(72) Inventors: **Paul H. Norton**, Trumbauersville, PA
(US); **Lauren Shafer Burgess**, Exton,
PA (US); **Oz Cabiri**, Macabim-Reut (IL)

(73) Assignee: **Medimop Medical Projects Ltd.,**
Ra'anana (IL)

(**) Term: **14 Years**

(21) Appl. No.: **29/479,307**

(22) Filed: **Jan. 14, 2014**

Related U.S. Application Data

(62) Division of application No. 29/387,944, filed on Mar.
22, 2011, now Pat. No. Des. 702,834.

(51) **LOC (10) Cl.** **24-02**

(52) **U.S. Cl.**
USPC **D24/130**

(58) **Field of Classification Search**
USPC D24/112-114, 127-131, 133, 186, 152,
D24/176, 180, 182; 433/91, 316, 96;
606/181, 185, 167; 604/232, 187, 158,
604/164.08, 192, 263, 163, 181, 184, 198,
604/227; 600/101, 139, 143; 128/200.24,
128/207.14, 207.15
CPC A61M 5/326; A61M 5/24; A61M 5/3271;
A61M 2005/3267; A61M 2005/3268
See application file for complete search history.

(56) **References Cited**

U.S. PATENT DOCUMENTS

1,795,630 A 3/1931 Wilson
2,860,635 A 11/1958 Wilburn
3,203,269 A 8/1965 Perrine

3,212,685 A 10/1965 Swan et al.
3,794,028 A 2/1974 Mueller et al.
3,994,295 A 11/1976 Wulff
4,195,636 A 4/1980 Behnke
4,218,724 A 8/1980 Kaufman
4,273,122 A 6/1981 Whitney et al.
4,300,554 A 11/1981 Hessberg et al.

(Continued)

FOREIGN PATENT DOCUMENTS

CN 1747683 A 3/2006
CN 1863566 A 11/2006

(Continued)

OTHER PUBLICATIONS

U.S. Appl. No. 14/193,692 by Gross, filed Feb. 28, 2014.

(Continued)

Primary Examiner — David Muller

(74) *Attorney, Agent, or Firm* — Panitch Schwarze Belisario
& Nadel LLP

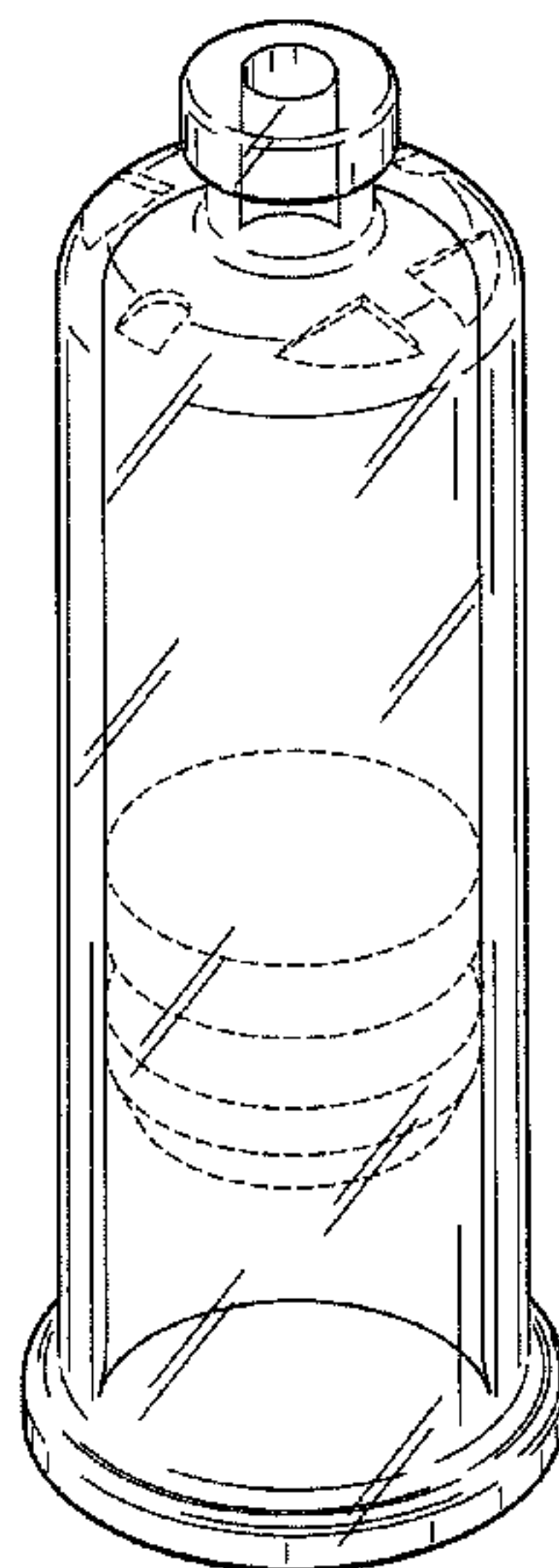
(57) **CLAIM**

The ornamental design for a cartridge, substantially as shown
and described.

DESCRIPTION

FIG. 1 is a top perspective view of a cartridge in accordance
with our new design;
FIG. 2 is a front elevation view thereof;
FIG. 3 is right side elevation view thereof;
FIG. 4 is a rear elevation view thereof;
FIG. 5 is a left side elevation view thereof;
FIG. 6 is a top plan view thereof; and,
FIG. 7 is a bottom plan view thereof.
The broken line showing of the piston and shoulder indenta-
tions is for the purpose of illustrating portions of the cartridge
and forms no part of the claimed design.

1 Claim, 4 Drawing Sheets



(56)

References Cited

U.S. PATENT DOCUMENTS

4,403,987 A	9/1983	Gottinger	6,302,633 B1	10/2001	Poe
4,435,173 A	3/1984	Siposs et al.	6,336,729 B1	1/2002	Pavelle et al.
4,465,478 A	8/1984	Sabelman et al.	6,345,968 B1	2/2002	Shupe
4,565,543 A *	1/1986	Bekkering et al. 604/135	6,377,848 B1	4/2002	Garde et al.
4,585,439 A	4/1986	Michel	6,391,005 B1	5/2002	Lum et al.
4,599,082 A	7/1986	Grimard	6,423,029 B1	7/2002	Elsberry
4,601,702 A	7/1986	Hudson	D465,026 S	10/2002	May et al.
4,685,903 A	8/1987	Cable et al.	6,458,102 B1	10/2002	Mann et al.
4,698,055 A	10/1987	Sealfon	6,485,461 B1	11/2002	Mason et al.
4,810,215 A	3/1989	Kaneko	6,485,465 B2	11/2002	Moberg et al.
4,850,966 A *	7/1989	Grau et al. 604/82	6,500,150 B1	12/2002	Gross et al.
4,867,743 A	9/1989	Vaillancourt	6,503,231 B1	1/2003	Prausnitz et al.
4,886,499 A	12/1989	Cirelli et al.	6,511,336 B1	1/2003	Turek et al.
4,919,596 A	4/1990	Slate et al.	6,517,517 B1	2/2003	Farrugia et al.
4,929,241 A	5/1990	Kulli	D471,274 S	3/2003	Diaz et al.
4,950,246 A	8/1990	Muller	D471,983 S	3/2003	Hippolyte et al.
D322,671 S *	12/1991	Szwarc D24/130	6,558,351 B1	5/2003	Steil et al.
5,109,850 A	5/1992	Blanco et al.	6,589,229 B1	7/2003	Connelly et al.
5,112,317 A	5/1992	Michel	6,595,956 B1	7/2003	Gross et al.
5,131,816 A	7/1992	Brown et al.	6,595,960 B2	7/2003	West et al.
5,190,521 A	3/1993	Hubbard et al.	6,645,181 B1	11/2003	Lavi et al.
5,254,096 A	10/1993	Rondelet et al.	6,652,482 B2	11/2003	Hochman
5,300,045 A	4/1994	Plassche, Jr.	6,656,158 B2	12/2003	Mahoney et al.
5,342,313 A	8/1994	Campbell et al.	6,656,159 B2	12/2003	Flaherty
5,348,544 A	9/1994	Sweeney et al.	6,659,980 B2	12/2003	Moberg et al.
5,366,498 A	11/1994	Brannan et al.	6,673,033 B1	1/2004	Sciulli et al.
5,383,865 A	1/1995	Michel	6,679,862 B2	1/2004	Diaz et al.
5,478,315 A	12/1995	Brothers et al.	6,689,118 B2	2/2004	Alchas et al.
5,482,446 A	1/1996	Williamson et al.	6,699,218 B2	3/2004	Flaherty et al.
5,496,274 A	3/1996	Graves et al.	6,722,916 B2	4/2004	Buccinna et al.
5,501,665 A	3/1996	Jhuboo et al.	6,743,211 B1	6/2004	Prausnitz et al.
5,505,709 A	4/1996	Funderburk et al.	6,749,587 B2	6/2004	Flaherty
5,562,686 A	10/1996	Sauer et al.	6,752,787 B1	6/2004	Causey, III et al.
5,593,390 A	1/1997	Castellano et al.	6,768,425 B2	7/2004	Flaherty et al.
5,616,132 A	4/1997	Newman	6,786,890 B2	9/2004	Preuthun et al.
5,643,218 A	7/1997	Lynn et al.	6,800,071 B1	10/2004	McConnell et al.
5,645,955 A	7/1997	Maglica	6,805,687 B2	10/2004	Dextrateur et al.
5,647,853 A	7/1997	Feldmann et al.	6,824,529 B2	11/2004	Gross et al.
5,662,678 A	9/1997	Macklin	6,843,782 B2	1/2005	Gross et al.
5,672,160 A	9/1997	Osterlind et al.	6,854,620 B2	2/2005	Ramey
5,690,618 A	11/1997	Smith et al.	6,905,298 B1	6/2005	Haring
D393,314 S	4/1998	Meisner et al.	6,908,452 B2	6/2005	Diaz et al.
5,766,186 A	6/1998	Faraz et al.	6,960,192 B1	11/2005	Flaherty et al.
5,795,675 A	8/1998	Maglica	6,997,727 B1	2/2006	Legrady et al.
5,800,420 A	9/1998	Gross et al.	7,001,360 B2	2/2006	Veasey et al.
5,807,375 A	9/1998	Gross et al.	7,034,223 B2	4/2006	Fan et al.
5,814,020 A	9/1998	Gross	7,048,715 B2	5/2006	Diaz et al.
5,836,920 A	11/1998	Robertson	7,060,054 B2	6/2006	Nissels
5,848,991 A	12/1998	Gross et al.	7,060,059 B2	6/2006	Keith et al.
5,851,197 A	12/1998	Marano et al.	7,097,637 B2	8/2006	Triplett et al.
5,858,001 A	1/1999	Tsals et al.	7,128,727 B2	10/2006	Flaherty et al.
5,858,008 A	1/1999	Capaccio	7,144,384 B2	12/2006	Gorman et al.
5,868,710 A	2/1999	Battiato et al.	D544,092 S	6/2007	Lewis
5,931,814 A	8/1999	Alex et al.	7,225,694 B2	6/2007	Said
5,941,850 A	8/1999	Shah et al.	7,247,149 B2	7/2007	Beyerlein
5,948,392 A	9/1999	Haslwanter et al.	7,250,037 B2	7/2007	Shermer et al.
5,954,697 A	9/1999	Srisathapat et al.	7,267,669 B2	9/2007	Staunton et al.
5,957,895 A	9/1999	Sage et al.	7,291,132 B2	11/2007	DeRuntz et al.
5,968,011 A	10/1999	Larsen et al.	7,291,159 B2	11/2007	Schmelzeisen-Redeker et al.
5,993,423 A	11/1999	Choi	7,303,549 B2	12/2007	Flaherty et al.
6,004,297 A	12/1999	Steenfeldt-Jensen et al.	7,344,385 B2	3/2008	Chen
6,033,245 A	3/2000	Yamkovoy	7,364,570 B2	4/2008	Gerondale et al.
6,033,377 A *	3/2000	Rasmussen et al. 604/82	7,390,314 B2	6/2008	Stutz, Jr. et al.
6,064,797 A	5/2000	Crittendon et al.	7,407,493 B2	8/2008	Cane'
6,074,369 A	6/2000	Sage et al.	D578,210 S *	10/2008	Muta et al. D24/114
6,186,982 B1	2/2001	Gross et al.	7,455,663 B2	11/2008	Bikovsky
6,200,289 B1	3/2001	Hochman et al.	7,465,290 B2	12/2008	Reilly
6,200,296 B1	3/2001	Dibiasi et al.	7,488,181 B2	2/2009	van Haaster
6,224,569 B1	5/2001	Brimhall	7,497,842 B2	3/2009	Diaz et al.
6,248,093 B1	6/2001	Moberg	7,501,587 B2	3/2009	English
6,277,095 B1	8/2001	Kriesel et al.	7,503,786 B2	3/2009	Kato et al.
6,277,098 B1	8/2001	Klitmose et al.	7,530,964 B2	5/2009	Lavi et al.
6,277,099 B1	8/2001	Strowe et al.	7,547,281 B2	6/2009	Hayes et al.
6,287,283 B1	9/2001	Ljunggreen et al.	7,565,208 B2	7/2009	Harris et al.
6,293,925 B1	9/2001	Safabash et al.	7,569,050 B2	8/2009	Moberg et al.
			D600,341 S	9/2009	Loerwald
			7,585,287 B2	9/2009	Bresina et al.
			7,588,559 B2	9/2009	Aravena et al.
			7,589,974 B2	9/2009	Grady et al.

(56)

References Cited

U.S. PATENT DOCUMENTS

D602,155 S	10/2009	Foley et al.	8,162,674 B2	4/2012	Cho et al.
D602,586 S	10/2009	Foley et al.	8,162,923 B2	4/2012	Adams et al.
D604,835 S	11/2009	Conley	8,167,841 B2	5/2012	Teisen-Simony et al.
7,628,770 B2	12/2009	Ethelfeld	8,172,591 B2	5/2012	Wertz
7,628,772 B2	12/2009	McConnell et al.	8,172,804 B2	5/2012	Bikovsky
7,628,782 B2	12/2009	Adair et al.	8,182,462 B2	5/2012	Istoc et al.
7,637,891 B2	12/2009	Wall	8,197,444 B1	6/2012	Bazargan et al.
7,637,899 B2 *	12/2009	Woolston et al. 604/415	8,206,351 B2	6/2012	Sugimoto et al.
7,641,649 B2	1/2010	Moberg et al.	8,221,356 B2	7/2012	Enggaard et al.
7,660,627 B2	2/2010	McNichols et al.	8,267,921 B2	9/2012	Yodfat et al.
7,678,079 B2	3/2010	Shermer et al.	8,287,520 B2	10/2012	Drew et al.
7,682,338 B2	3/2010	Griffin	8,292,647 B1	10/2012	McGrath et al.
7,686,787 B2	3/2010	Moberg et al.	8,308,679 B2	11/2012	Hanson et al.
7,699,829 B2	4/2010	Harris et al.	8,323,250 B2	12/2012	Chong et al.
7,699,833 B2	4/2010	Moberg et al.	8,372,039 B2	2/2013	Mernoe et al.
7,704,088 B2	4/2010	Sakamoto	8,373,421 B2	2/2013	Lindegger et al.
7,704,227 B2	4/2010	Moberg et al.	8,409,142 B2	4/2013	Causey et al.
7,704,229 B2	4/2010	Moberg et al.	8,414,557 B2	4/2013	Istoc et al.
7,704,231 B2	4/2010	Pongpairachana et al.	8,430,847 B2	4/2013	Mernoe et al.
7,708,717 B2	5/2010	Estes et al.	8,465,455 B2	6/2013	Cabiri
7,713,238 B2	5/2010	Mernoe	8,469,942 B2	6/2013	Kow et al.
7,713,240 B2	5/2010	Istoc et al.	8,474,332 B2	7/2013	Bente, IV et al.
7,717,913 B2	5/2010	Novak et al.	8,475,408 B2	7/2013	Mernoe et al.
7,722,574 B2	5/2010	Toman et al.	8,479,595 B2	7/2013	Vazquez et al.
7,736,344 B2	6/2010	Moberg et al.	8,495,918 B2	7/2013	Bazargan et al.
7,744,589 B2	6/2010	Mounce et al.	8,496,862 B2 *	7/2013	Zelkovich et al. 264/278
7,749,194 B2	7/2010	Edwards et al.	8,512,287 B2	8/2013	Cindrich et al.
7,776,030 B2	8/2010	Estes et al.	8,517,987 B2	8/2013	Istoc et al.
7,780,637 B2	8/2010	Jerde et al.	8,523,803 B1	9/2013	Favreau
7,789,857 B2	9/2010	Moberg et al.	8,556,856 B2	10/2013	Bazargan et al.
7,801,599 B2	9/2010	Young et al.	8,562,364 B2	10/2013	Lin et al.
7,806,868 B2	10/2010	De Polo et al.	8,574,216 B2	11/2013	Istoc et al.
7,828,528 B2	11/2010	Estes et al.	8,603,026 B2	12/2013	Favreau
7,837,659 B2	11/2010	Bush, Jr. et al.	8,603,027 B2	12/2013	Favreau
7,846,132 B2	12/2010	Gravesen et al.	8,628,510 B2	1/2014	Bazargan et al.
7,854,723 B2	12/2010	Hwang et al.	8,674,288 B2	3/2014	Hanson et al.
7,857,131 B2	12/2010	Vedrine	8,679,060 B2	3/2014	Mernoe et al.
7,879,025 B2	2/2011	Jacobson et al.	8,690,855 B2	4/2014	Alderete, Jr. et al.
7,918,825 B2	4/2011	O'Connor et al.	8,708,961 B2	4/2014	Field et al.
7,935,104 B2	5/2011	Yodfat et al.	8,751,237 B2	6/2014	Kubota
7,935,105 B2	5/2011	Miller et al.	8,753,326 B2	6/2014	Chong et al.
7,938,803 B2	5/2011	Mernoe et al.	8,753,331 B2	6/2014	Murphy
7,955,305 B2	6/2011	Moberg et al.	8,764,707 B2	7/2014	Moberg et al.
7,967,784 B2	6/2011	Pongpairachana et al.	8,764,723 B2	7/2014	Chong et al.
7,967,795 B1	6/2011	Cabiri	8,771,222 B2	7/2014	Kanderian, Jr. et al.
7,981,105 B2	7/2011	Adair et al.	8,777,896 B2	7/2014	Starkweather et al.
7,988,683 B2	8/2011	Adair et al.	8,777,924 B2	7/2014	Kanderian, Jr. et al.
7,993,300 B2	8/2011	Nyholm et al.	8,777,925 B2	7/2014	Patton
7,993,301 B2 *	8/2011	Boyd et al. 604/68	8,784,369 B2	7/2014	Starkweather et al.
7,998,111 B2	8/2011	Moberg et al.	8,784,370 B2	7/2014	Lebel et al.
8,021,357 B2	9/2011	Tanaka et al.	8,790,295 B1	7/2014	Sigg et al.
8,025,658 B2	9/2011	Chong et al.	8,795,224 B2	8/2014	Starkweather et al.
8,029,469 B2	10/2011	Ethelfeld	8,795,231 B2	8/2014	Chong et al.
8,034,019 B2	10/2011	Nair et al.	8,795,260 B2	8/2014	Drew
8,038,666 B2	10/2011	Triplett et al.	8,801,668 B2	8/2014	Ali et al.
8,057,431 B2	11/2011	Woehr et al.	8,801,679 B2 *	8/2014	Iio et al. 604/263
8,057,436 B2	11/2011	Causey et al.	8,810,394 B2	8/2014	Kalpin
8,062,253 B2	11/2011	Nielsen et al.	8,814,379 B2	8/2014	Griffiths et al.
8,066,694 B2	11/2011	Wagener	8,920,374 B2	12/2014	Bokelman et al.
D650,079 S	12/2011	Presta et al.	9,061,104 B2 *	6/2015	Daniel
D650,903 S *	12/2011	Kosinski et al. D24/130	9,061,110 B2 *	6/2015	Avery et al.
8,086,306 B2	12/2011	Katzman et al.	9,089,475 B2 *	7/2015	Fangrow
D652,503 S	1/2012	Cameron et al.	9,089,641 B2 *	7/2015	Kavazov
8,105,279 B2	1/2012	Mernoe et al.	2001/0025168 A1	9/2001	Gross et al.
8,114,046 B2	2/2012	Covino et al.	2001/0041869 A1	11/2001	Causey et al.
8,114,064 B2	2/2012	Alferness et al.	2002/0010423 A1	1/2002	Gross et al.
8,114,066 B2	2/2012	Naef et al.	2002/0029018 A1	3/2002	Jeffrey
D657,462 S *	4/2012	Siroky D24/130	2002/0040208 A1	4/2002	Flaherty et al.
8,147,446 B2	4/2012	Yodfat et al.	2002/0055711 A1	5/2002	Lavi et al.
8,152,764 B2	4/2012	Istoc et al.	2002/0065488 A1	5/2002	Suzuki et al.
8,152,770 B2	4/2012	Reid	2002/0107487 A1	8/2002	Preuthun
8,152,779 B2	4/2012	Cabiri	2002/0123740 A1	9/2002	Flaherty et al.
8,152,793 B2	4/2012	Keinanen et al.	2002/0161332 A1	10/2002	Ramey
8,157,693 B2	4/2012	Waksmundzki	2002/0169215 A1	11/2002	Meng
8,157,769 B2	4/2012	Cabiri	2003/0009133 A1	1/2003	Ramey
			2003/0125671 A1	7/2003	Aramata et al.
			2003/0135159 A1	7/2003	Daily et al.
			2003/0160683 A1	8/2003	Blomquist
			2003/0171717 A1	9/2003	Farrugia et al.

(56)

References Cited

U.S. PATENT DOCUMENTS

2004/0010207	A1	1/2004	Flaherty et al.	2009/0069784	A1	3/2009	Estes et al.
2004/0092873	A1	5/2004	Moberg	2009/0076453	A1	3/2009	Mejlhede et al.
2004/0116866	A1	6/2004	Gorman et al.	2009/0088694	A1	4/2009	Carter et al.
2004/0127857	A1	7/2004	Shemesh et al.	2009/0088731	A1	4/2009	Campbell et al.
2004/0158172	A1	8/2004	Hancock	2009/0093792	A1	4/2009	Gross et al.
2004/0186419	A1	9/2004	Cho	2009/0093793	A1	4/2009	Gross et al.
2004/0260233	A1	12/2004	Garibotto et al.	2009/0105650	A1	4/2009	Wiegel et al.
2005/0033234	A1	2/2005	Sadowski et al.	2009/0124977	A1	5/2009	Jensen
2005/0065466	A1	3/2005	Vedrine	2009/0143730	A1	6/2009	De Polo et al.
2005/0065472	A1	3/2005	Cindrich et al.	2009/0143735	A1	6/2009	De Polo et al.
2005/0071487	A1	3/2005	Lu et al.	2009/0149830	A1	6/2009	Spector
2005/0113761	A1	5/2005	Faust et al.	2009/0182277	A1	7/2009	Carter
2005/0159706	A1	7/2005	Wilkinson et al.	2009/0204076	A1	8/2009	Liversidge
2005/0171476	A1	8/2005	Judson et al.	2009/0209896	A1	8/2009	Selevan
2005/0171512	A1	8/2005	Flaherty	2009/0234319	A1	9/2009	Marksteiner
2005/0177136	A1	8/2005	Miller	2009/0240240	A1	9/2009	Hines et al.
2005/0197650	A1	9/2005	Sugimoto et al.	2009/0253973	A1	10/2009	Bashan et al.
2005/0203461	A1	9/2005	Flaherty et al.	2009/0259176	A1	10/2009	Yairi
2005/0238507	A1	10/2005	Dilanni et al.	2009/0281585	A1	11/2009	Katzman et al.
2005/0283114	A1	12/2005	Bresina et al.	2009/0299290	A1	12/2009	Moberg
2006/0013716	A1	1/2006	Nason et al.	2009/0299397	A1	12/2009	Ruan et al.
2006/0030816	A1	2/2006	Zubry	2009/0326459	A1	12/2009	Shipway et al.
2006/0095014	A1	5/2006	Ethelfeld	2009/0326509	A1	12/2009	Muse et al.
2006/0122577	A1	6/2006	Poulsen et al.	2010/0030156	A1	2/2010	Beebe et al.
2006/0173406	A1	8/2006	Hayes et al.	2010/0030198	A1	2/2010	Beebe et al.
2006/0173439	A1	8/2006	Thorne et al.	2010/0049128	A1	2/2010	McKenzie et al.
2006/0195029	A1	8/2006	Shults et al.	2010/0049144	A1	2/2010	McConnell et al.
2006/0211982	A1	9/2006	Prestrelski et al.	2010/0057057	A1	3/2010	Hayter et al.
2006/0229569	A1	10/2006	Lavi et al.	2010/0076412	A1	3/2010	Rush et al.
2006/0264889	A1	11/2006	Moberg et al.	2010/0094255	A1	4/2010	Nycz et al.
2006/0264890	A1	11/2006	Moberg et al.	2010/0100076	A1	4/2010	Rush et al.
2006/0264894	A1	11/2006	Moberg et al.	2010/0100077	A1	4/2010	Rush et al.
2006/0270987	A1	11/2006	Peter	2010/0106098	A1	4/2010	Atterbury et al.
2006/0283465	A1	12/2006	Nickel et al.	2010/0121314	A1	5/2010	Iobbi
2006/0293722	A1	12/2006	Slatkine et al.	2010/0137790	A1	6/2010	Yodfat
2007/0021733	A1	1/2007	Hansen et al.	2010/0137831	A1	6/2010	Tsals
2007/0049865	A1	3/2007	Radmer et al.	2010/0145303	A1	6/2010	Yodfat et al.
2007/0073228	A1	3/2007	Mernoe et al.	2010/0145305	A1	6/2010	Alon
2007/0118405	A1	5/2007	Campbell et al.	2010/0162548	A1	7/2010	Leidig
2007/0167912	A1	7/2007	Causey et al.	2010/0168607	A1	7/2010	Miesel
2007/0185449	A1	8/2007	Mernoe	2010/0168683	A1	7/2010	Cabiri
2007/0197968	A1	8/2007	Pongpairachana et al.	2010/0198157	A1	8/2010	Gyrn et al.
2007/0203454	A1	8/2007	Shermer et al.	2010/0204657	A1	8/2010	Yodfat et al.
2007/0233038	A1	10/2007	Pruitt et al.	2010/0234767	A1	9/2010	Sarstedt
2007/0282269	A1	12/2007	Carter et al.	2010/0234830	A1	9/2010	Straessler et al.
2008/0021439	A1	1/2008	Brittingham et al.	2010/0241065	A1	9/2010	Moberg et al.
2008/0033367	A1	2/2008	Haury et al.	2010/0264931	A1	10/2010	Lindegger et al.
2008/0033369	A1	2/2008	Kohlbreuner et al.	2010/0274112	A1	10/2010	Hoss et al.
2008/0033393	A1	2/2008	Edwards et al.	2010/0274192	A1	10/2010	Mernoe
2008/0051711	A1	2/2008	Mounce et al.	2010/0280499	A1	11/2010	Yodfat et al.
2008/0051730	A1	2/2008	Bikovsky	2010/0331826	A1	12/2010	Field et al.
2008/0059133	A1	3/2008	Edwards et al.	2011/0034900	A1	2/2011	Yodfat et al.
2008/0097381	A1	4/2008	Moberg et al.	2011/0054399	A1	3/2011	Chong et al.
2008/0108951	A1	5/2008	Jerde et al.	2011/0054400	A1	3/2011	Chong et al.
2008/0140006	A1	6/2008	Eskuri et al.	2011/0066131	A1	3/2011	Cabiri
2008/0140018	A1	6/2008	Enggaard et al.	2011/0125056	A1	5/2011	Merchant
2008/0147004	A1	6/2008	Mann et al.	2011/0160654	A1	6/2011	Hanson et al.
2008/0167641	A1	7/2008	Hansen et al.	2011/0160666	A1	6/2011	Hanson et al.
2008/0188813	A1	8/2008	Miller et al.	2011/0160669	A1	6/2011	Gyrn et al.
2008/0208138	A1	8/2008	Lim et al.	2011/0172645	A1	7/2011	Moga et al.
2008/0215006	A1	9/2008	Thorkild	2011/0172745	A1	7/2011	Na et al.
2008/0215015	A1	9/2008	Cindrich et al.	2011/0178463	A1	7/2011	Cabiri
2008/0243087	A1	10/2008	Enggaard et al.	2011/0178472	A1	7/2011	Cabiri
2008/0249473	A1	10/2008	Rutti et al.	2011/0201998	A1	8/2011	Pongpairachana et al.
2008/0262436	A1	10/2008	Olson	2011/0238031	A1	9/2011	Adair et al.
2008/0269687	A1	10/2008	Chong et al.	2011/0245773	A1	10/2011	Estes et al.
2008/0269723	A1	10/2008	Mastrototaro et al.	2011/0270160	A1	11/2011	Mernoe
2008/0274630	A1	11/2008	Shelton et al.	2011/0282282	A1	11/2011	Lorenzen et al.
2008/0294143	A1	11/2008	Tanaka et al.	2011/0282296	A1	11/2011	Harms et al.
2008/0306449	A1	12/2008	Kristensen et al.	2011/0295205	A1	12/2011	Kaufmann et al.
2008/0312601	A1	12/2008	Cane	2011/0313238	A1	12/2011	Reichenbach et al.
2008/0319416	A1	12/2008	Yodfat et al.	2011/0319861	A1	12/2011	Wilk
2009/0041805	A1	2/2009	Walker	2011/0319919	A1	12/2011	Curry et al.
2009/0048347	A1	2/2009	Cohen et al.	2012/0004602	A1	1/2012	Hanson et al.
2009/0054750	A1	2/2009	Jennewine	2012/0010594	A1	1/2012	Holt et al.
				2012/0022344	A1	1/2012	Kube
				2012/0022499	A1	1/2012	Anderson et al.
				2012/0029431	A1	2/2012	Hwang et al.
				2012/0035546	A1	2/2012	Cabiri

(56)

References Cited

U.S. PATENT DOCUMENTS

2012/0041364 A1 2/2012 Smith
 2012/0041414 A1 2/2012 Estes et al.
 2012/0071828 A1 3/2012 Tojo et al.
 2012/0096953 A1 4/2012 Bente, IV et al.
 2012/0096954 A1 4/2012 Vazquez et al.
 2012/0101436 A1 4/2012 Bazargan et al.
 2012/0108933 A1 5/2012 Liang et al.
 2012/0129362 A1 5/2012 Hampo et al.
 2012/0160033 A1 6/2012 Kow et al.
 2012/0165733 A1 6/2012 Bazargan et al.
 2012/0165780 A1 6/2012 Bazargan et al.
 2012/0226234 A1 9/2012 Bazargan et al.
 2012/0259282 A1 10/2012 Alderete, Jr. et al.
 2013/0012875 A1 1/2013 Gross et al.
 2013/0068319 A1 3/2013 Plumptre et al.
 2013/0085457 A1 4/2013 Schiff et al.
 2013/0089992 A1 4/2013 Yang
 2013/0096509 A1 4/2013 Avery et al.
 2013/0110049 A1 5/2013 Cronenberg et al.
 2013/0133438 A1 5/2013 Kow et al.
 2013/0237953 A1 9/2013 Kow et al.
 2013/0245595 A1 9/2013 Kow et al.
 2013/0245596 A1 9/2013 Cabiri et al.
 2013/0253419 A1 9/2013 Favreau
 2013/0253420 A1 9/2013 Favreau
 2013/0253421 A1 9/2013 Favreau
 2013/0296799 A1 11/2013 Degtiar et al.
 2013/0304021 A1 11/2013 Cabiri et al.
 2013/0323699 A1 12/2013 Edwards et al.
 2013/0331791 A1 12/2013 Gross et al.
 2014/0055073 A1 2/2014 Favreau
 2014/0055076 A1 2/2014 Favreau
 2014/0058349 A1 2/2014 Bazargan et al.
 2014/0083517 A1 3/2014 Moia et al.
 2014/0094755 A1 4/2014 Bazargan et al.
 2014/0128807 A1 5/2014 Moberg et al.
 2014/0128835 A1 5/2014 Moberg et al.
 2014/0135692 A1 5/2014 Alderete, Jr. et al.
 2014/0135694 A1 5/2014 Moberg et al.
 2014/0142499 A1 5/2014 Moberg et al.
 2014/0148784 A1 5/2014 Anderson et al.
 2014/0148785 A1 5/2014 Moberg et al.
 2014/0163522 A1 6/2014 Alderete, Jr. et al.
 2014/0194819 A1 7/2014 Maule et al.
 2014/0194854 A1 7/2014 Tsals
 2014/0207064 A1 7/2014 Yavorsky
 2014/0207065 A1 7/2014 Yavorsky
 2014/0207066 A1 7/2014 Yavorsky
 2014/0213975 A1 7/2014 Clemente et al.
 2014/0236087 A1 8/2014 Alderete, Jr. et al.
 2014/0261758 A1 9/2014 Wlodarczyk et al.

FOREIGN PATENT DOCUMENTS

CN 101090749 A 12/2007
 CN 201941304 U 8/2011
 CN 102186733 A 9/2011
 DE 1064693 B 9/1959
 EP 0017412 A1 10/1980
 EP 0222656 A1 5/1987
 EP 0401179 A1 12/1990
 EP 1530979 A1 5/2005
 EP 1666080 A1 6/2006
 EP 2060606 A1 5/2009
 EP 2498589 A1 9/2012
 JP H07-194701 A 8/1995
 JP H09-505758 A 6/1997
 JP 2001-512992 A 8/2001
 JP 2002-505601 A 2/2002
 JP 2002-507459 A 3/2002
 JP 2002-528676 A 9/2002
 JP 2003-501157 A 1/2003
 JP 2003-527138 A 9/2003
 JP 2003-534061 A 11/2003

JP 2004-501721 A 1/2004
 JP 2004-512100 A 4/2004
 JP 2005-523127 A 8/2005
 JP 2005-270629 A 10/2005
 JP 2007-509661 A 4/2007
 JP 2008-534131 A 8/2008
 JP 2008-220961 A 9/2008
 JP 2009-502273 A 1/2009
 WO 9009202 A1 8/1990
 WO 9307922 A1 4/1993
 WO 9407553 A1 4/1994
 WO 9513838 A1 5/1995
 WO 9609083 A1 3/1996
 WO 9632975 A1 10/1996
 WO 9700091 A1 1/1997
 WO 9710012 A1 3/1997
 WO 9733638 A1 9/1997
 WO 9857683 A1 12/1998
 WO 9929151 A1 6/1999
 WO 9959665 A1 11/1999
 WO 0025844 A1 5/2000
 WO 0187384 A1 11/2001
 WO 0189607 A2 11/2001
 WO 0189613 A1 11/2001
 WO 0202165 A2 1/2002
 WO 0234315 A1 5/2002
 WO 0272182 A1 9/2002
 WO 03090833 A1 11/2003
 WO 2004032990 A2 4/2004
 WO 2004105841 A1 12/2004
 WO 2005018703 A2 3/2005
 WO 2005037350 A2 4/2005
 WO 2006037434 A1 4/2006
 WO 2006069380 A1 6/2006
 WO 2006102676 A1 9/2006
 WO 2006104806 A2 10/2006
 WO 2007051563 A1 5/2007
 WO 2007056504 A1 5/2007
 WO 2008001377 A2 1/2008
 WO 2008014908 A1 2/2008
 WO 2008057976 A2 5/2008
 WO 2008072229 A2 6/2008
 WO 2008076459 A1 6/2008
 WO 2008078318 A2 7/2008
 WO 2009044401 4/2009
 WO 2009046989 A2 4/2009
 WO 2009125398 A2 10/2009
 WO 2009144085 A2 12/2009
 WO 2010078227 A1 7/2010
 WO 2010078242 A1 7/2010
 WO 2011075105 A1 6/2011
 WO 2011090955 A1 7/2011
 WO 2011090956 A2 7/2011
 WO 2011156373 A1 12/2011
 WO 2012032411 A2 3/2012
 WO 2012040528 A1 3/2012
 WO 2012160157 A1 11/2012
 WO 2014179774 A1 11/2014

OTHER PUBLICATIONS

Office Action issued Feb. 4, 2014 in EP Application No. 11 707 942.6.
 English translation of an Office Action issued Mar. 5, 2014 in CN Application No. 200880117084.X.
 Int'l Search Report and Written Opinion issued Apr. 3, 2014 in Int'l Application No. PCT/US2013/078040.
 Extended European Search Report issued Mar. 27, 2014 in EP Application No. 14154717.4.
 Office Action issued Feb. 28, 2014 in CN Application No. 201180006571.0.
 Office Action issued Oct. 9, 2013 in IL Application No. 208634.
 Office Action issued Nov. 5, 2013 in JP Application No. 2010-527595.
 Office Action issued Sep. 29, 2013 in CN Application No. 201080040968.7.
 Office Action issued Nov. 4, 2013 in EP Application No. 11 709 234.6.

(56)

References Cited

OTHER PUBLICATIONS

- Office Action issued Dec. 17, 2013 in JP Application No. 2012-529808.
- Office Action issued Dec. 10, 2013 in CN Application No. 201180006567.4.
- Office Action issued Jan. 8, 2014 in U.S. Appl. No. 13/521,167 by Cabiri.
- Office Action issued Nov. 5, 2014 in U.S. Appl. No. 13/643,470 by Alon.
- U.S. Appl. No. 14/553,399 by Cabiri, filed Nov. 25, 2014.
- Office Action issued Nov. 2, 2014 in CN Application No. 201180006571.0.
- Office Action issued Nov. 21, 2014 in U.S. Appl. No. 13/472,112 by Cabiri.
- Office Action issued Nov. 21, 2014 in U.S. Appl. No. 13/429,840 by Cabiri.
- Int'l Preliminary Report on Patentability issued Nov. 27, 2014 in Int'l Application No. PCT/US2013/039465.
- Int'l Preliminary Report on Patentability issued May 14, 2015 in Int'l Application No. PCT/US2013/065211.
- Office Action issued May 7, 2015 in JP Application No. 2012-550069.
- Office Action issued May 13, 2015 in CN Application No. 201380025566.3.
- U.S. Appl. No. 14/715,791 by Cabiri, filed May 19, 2015.
- U.S. Appl. No. 14/725,009 by Bar-El, filed May 29, 2015.
- Office Action issued May 1, 2015 in U.S. Appl. No. 14/638,525 by Filman.
- Office Action issued Jun. 4, 2015 in U.S. Appl. No. 13/667,739 by Cabiri.
- U.S. Appl. No. 14/683,193 by Cabiri, filed Apr. 10, 2015.
- Office Action issued Feb. 20, 2015 in U.S. Appl. No. 13/521,181 by Cabiri.
- Office Action issued Feb. 24, 2015 in U.S. Appl. No. 14/258,661 by Cabiri.
- U.S. Appl. No. 14/638,525 by Filman, filed Mar. 4, 2015.
- Extended European Search Report issued Feb. 23, 2015 in EP Application No. 14166596.8.
- Office Action issued Mar. 10, 2015 in U.S. Appl. No. 13/643,470 by Alon.
- Office Action issued Mar. 10, 2015 in U.S. Appl. No. 12/244,666 by Gross.
- Extended European Search Report issued Feb. 23, 2015 in EP Application No. 14166591.9.
- Office Action issued Mar. 10, 2015 in CN Application No. 201180006567.4.
- Office Action issued Mar. 31, 2015 in JP Application No. 2012-550068.
- U.S. Appl. No. 14/593,051 by Gross, filed Jan. 9, 2015.
- Daikyo Crystal Zenith® polymer, Manufactured by Daikyo Seiko, Ltd.
- Copaxone®, Manufactured by Teva Pharmaceutical Industries Ltd.
- Int'l Search Report issued May 13, 2009 in Int'l Application No. PCT/IL2008/001312.
- Int'l Preliminary Report on Patentability issued Apr. 7, 2010 in Int'l Application No. PCT/IL2008/001312; Written Opinion.
- Int'l Search Report issued Apr. 26, 2010 in Int'l Application No. PCT/US2009/069552.
- Office Action issued Apr. 5, 2010 in U.S. Appl. No. 12/244,666.
- Office Action issued Sep. 21, 2010 in U.S. Appl. No. 12/244,666.
- Office Action issued Apr. 5, 2010 in U.S. Appl. No. 12/244,688.
- Office Action issued Sep. 2, 2010 in U.S. Appl. No. 12/244,688.
- Office Action issued Sep. 30, 2010 in U.S. Appl. No. 12/689,250.
- Int'l Search Report issued Jan. 12, 2011 in Int'l Application No. PCT/US2010/048556; Written Opinion.
- U.S. Appl. No. 60/997,459, filed Oct. 2, 2007.
- U.S. Appl. No. 12/559,563, filed Sep. 15, 2009.
- U.S. Appl. No. 12/689,249, filed Jan. 19, 2010.
- U.S. Appl. No. 12/689,250, filed Jan. 19, 2010.
- International Preliminary Report on Patentability issued on Jul. 5, 2011 in International Application No. PCT/US2009/069552; Written Opinion.
- Office Action issued Jul. 13, 2011 in U.S. Appl. No. 12/559,563.
- Int'l Preliminary Report on Patentability issued Sep. 1, 2011 in Int'l Application No. PCT/US2010/048556.
- Office Action issued Sep. 6, 2011 in U.S. Appl. No. 12/345,818.
- Office Action issued Feb. 21, 2012 in U.S. Appl. No. 12/689,249.
- Int'l Search Report issued Jun. 17, 2011 in Int'l Application No. PCT/US2011/021604.
- Int'l Search Report issued Oct. 12, 2011 in Int'l Application No. PCT/US2011/021605.
- Office Action issued Oct. 28, 2011 in U.S. Appl. No. 12/615,828.
- Int'l Search Report issued Sep. 22, 2011 in Int'l Application No. PCT/IL11/00368; Written Opinion.
- U.S. Appl. No. 13/521,181 by Cabiri, filed Jul. 9, 2012.
- U.S. Appl. No. 13/521,167 by Cabiri, filed Jul. 9, 2012.
- Office Action issued May 16, 2012 in U.S. Appl. No. 12/615,828.
- Office Action issued Jul. 2, 2012 in U.S. Appl. No. 13/272,555.
- Office Action issued May 3, 2012 in CN Application No. 200880117084.X.
- U.S. Appl. No. 13/472,112 by Cabiri, filed May 15, 2012.
- U.S. Appl. No. 13/429,840 by Cabiri, filed Mar. 26, 2012.
- Int'l Preliminary Report on Patentability issued Aug. 2, 2012 in Int'l Application No. PCT/US2011/021604.
- U.S. Appl. No. 13/643,470 by Alon, filed Oct. 25, 2012.
- U.S. Appl. No. 13/733,516 by Cabiri, filed Jan. 3, 2013.
- Office Action issued Jan. 8, 2013 in JP Application No. 2010-527595.
- Int'l Preliminary Report on Patentability issued Feb. 7, 2013 in Int'l Application No. PCT/US2011/021604.
- Int'l Preliminary Report on Patentability issued Feb. 7, 2013 in Int'l Application No. PCT/US2011/021605.
- English translation of an Office Action issued Jan. 30, 2013 in CN Application No. 200880117084.X.
- U.S. Appl. No. 13/873,335 by Filman, filed Apr. 30, 2013.
- U.S. Appl. No. 13/892,905 by Cabiri, filed May 13, 2013.
- U.S. Appl. No. 13/874,121 by Degtiar, filed Apr. 30, 2013.
- U.S. Appl. No. 13/874,085 by Cabiri, filed Apr. 30, 2013.
- U.S. Appl. No. 13/874,017 by Cabiri, filed Apr. 30, 2013.
- Int'l Search Report and Written Opinion issued Jul. 26, 2013 in Int'l Application No. PCT/US2012/039465.
- Int'l Search Report and Written Opinion issued Aug. 5, 2013 in Int'l Application No. PCT/US2013/033118.
- U.S. Appl. No. 13/964,651 by Gross, filed Aug. 12, 2013.
- Office Action issued Aug. 15, 2013 in CN Application No. 200880117084.X.
- U.S. Appl. No. 14/258,661 by Cabiri, filed Apr. 22, 2014.
- Int'l Search Report and Written Opinion issued Jan. 7, 2014 in Int'l Application No. PCT/US2013/065211.
- Office Action issued May 23, 2014 in U.S. Appl. No. 13/472,112 by Cabiri.
- Office Action issued Jun. 3, 2014 in JP Application No. 2010-527595.
- Office Action issued Jul. 7, 2014 in U.S. Appl. No. 12/244,666 by Gross.
- Int'l Search Report and Written Opinion issued Jul. 31, 2014 in Int'l Application No. PCT/US2014/033598.
- Extended European Search Report issued Aug. 7, 2014 in EP Application No. 1417477.4.
- Office Action issued Aug. 6, 2014 in EP Application No. 11 707 942.6.
- Office Action issued Sep. 2, 2014 in JP Application No. 2012-550069.
- Office Action issued Sep. 2, 2014 in JP Application No. 2012-550068.
- Office Action issued Aug. 26, 2014 in CN Application No. 201180006567.4.
- Int'l Preliminary Report on Patentability issued Oct. 9, 2014 in Int'l Application No. PCT/US2013/033118.
- Office Action issued Oct. 9, 2014 in U.S. Appl. No. 13/873,335.
- Office Action issued Jul. 31, 2015 in U.S. Appl. No. 13/521,181 by Cabiri.
- Office Action issued Aug. 13, 2015 in U.S. Appl. No. 14/553,399 by Cabiri.

(56)

References Cited

OTHER PUBLICATIONS

Office Action issued Sep. 9, 2015 in U.S. Appl. No. 13/643,470 by Alon.

U.S. Application No. 14/850,450 by Gross, filed Sep. 10, 2015.

U.S. Appl. No. 14/861,478 by Cabiri, filed Sep. 22, 2015.

U.S. Appl. No. 14/880,673 by Cabiri, filed Oct. 12, 2015.

Office Action issued Sep. 30, 2015 in U.S. Appl. No. 13/667,739 by Cabiri.

Office Action issued Sep. 18, 2015 in U.S. Appl. No. 13/874,085 by Cabiri.

* cited by examiner

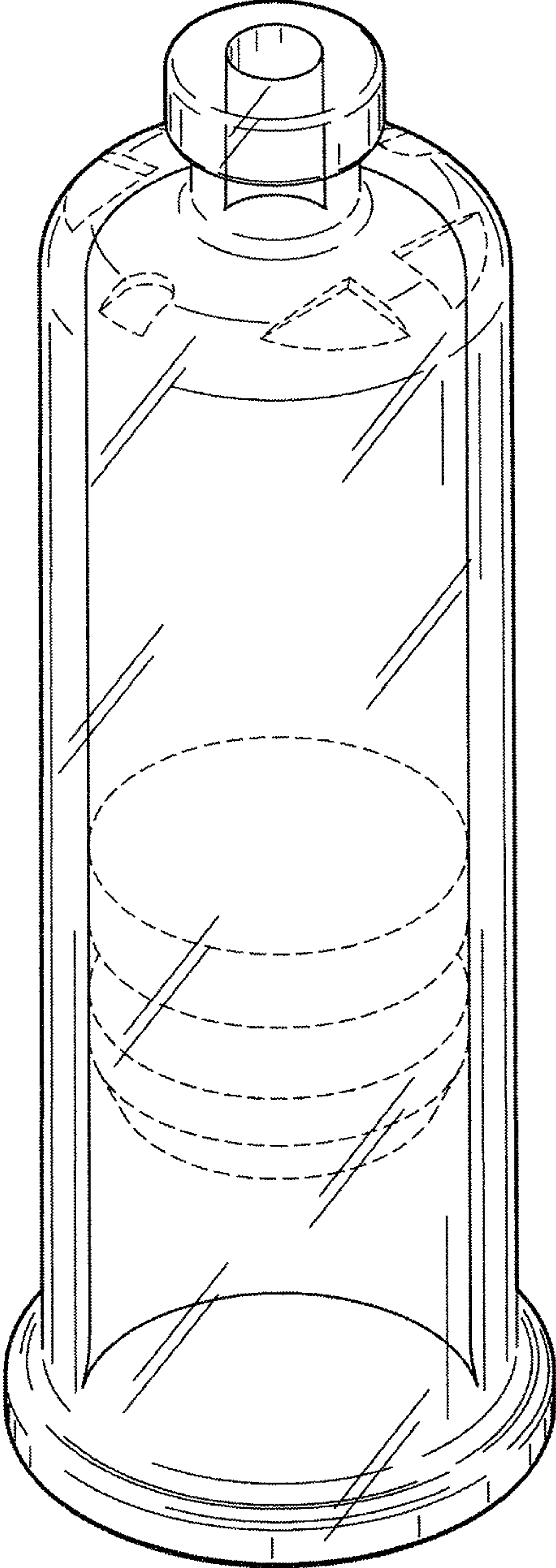


FIG.1

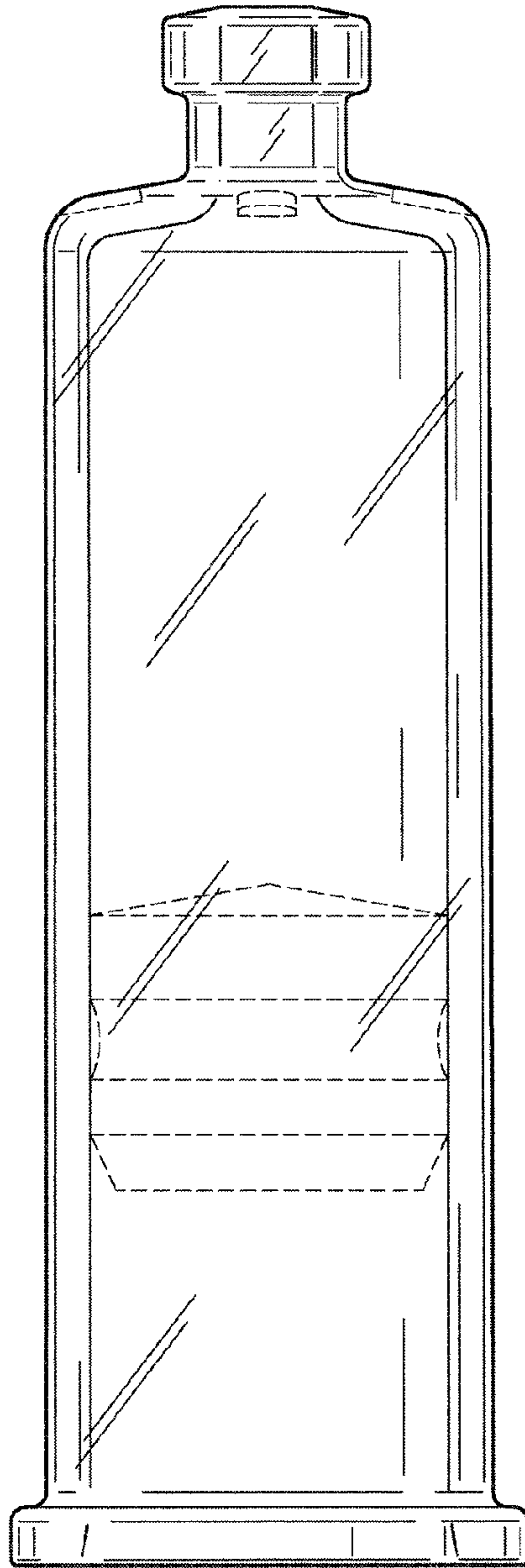


FIG. 2

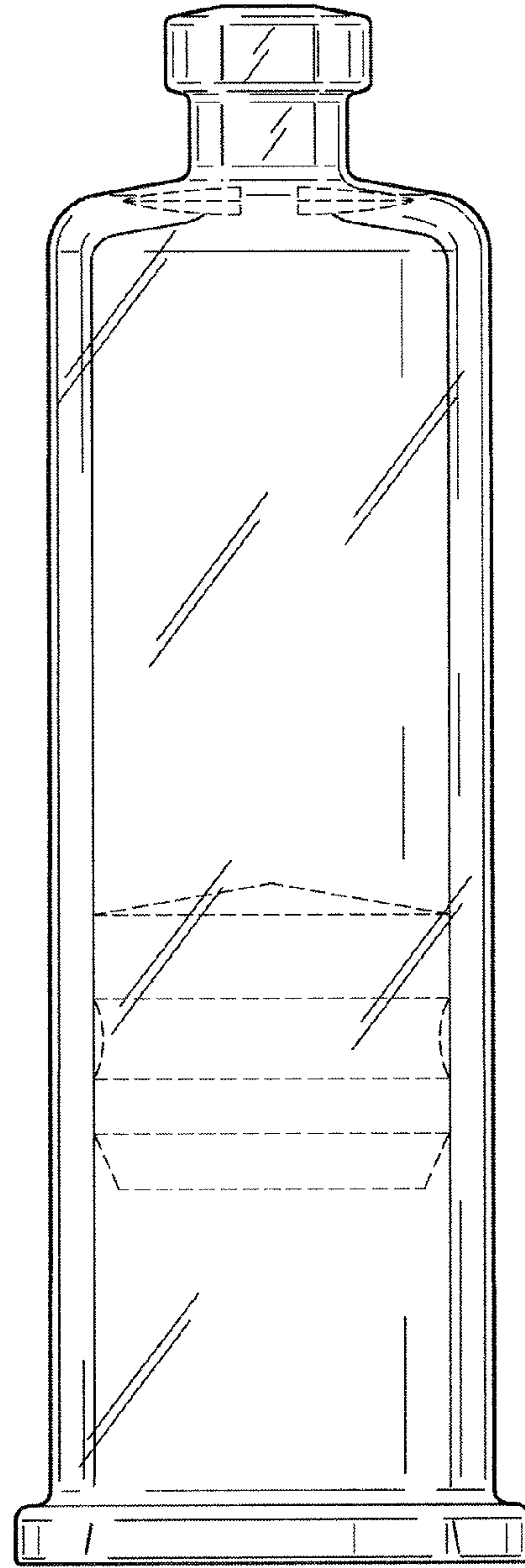


FIG. 3

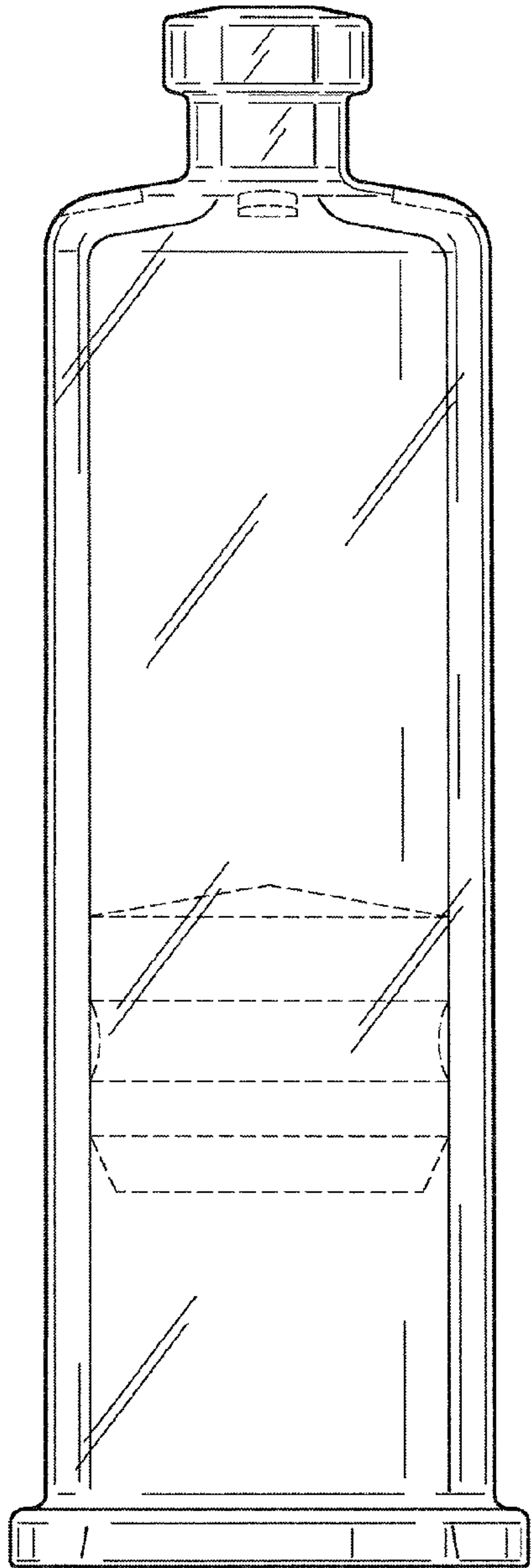


FIG. 4

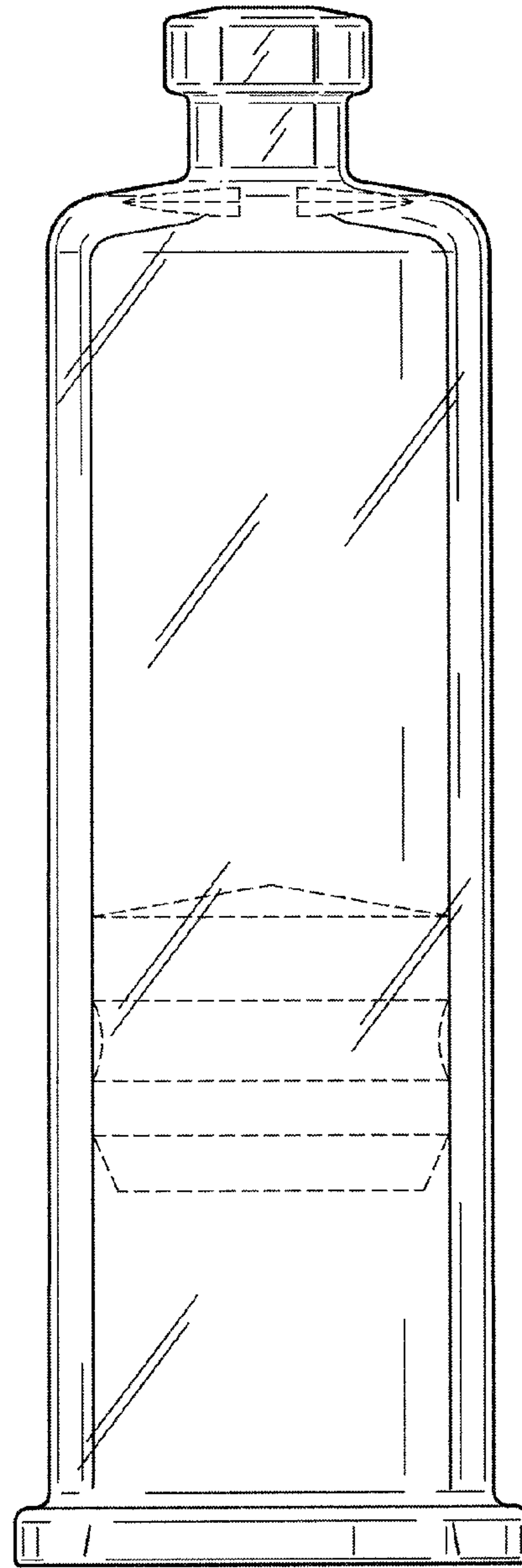


FIG. 5

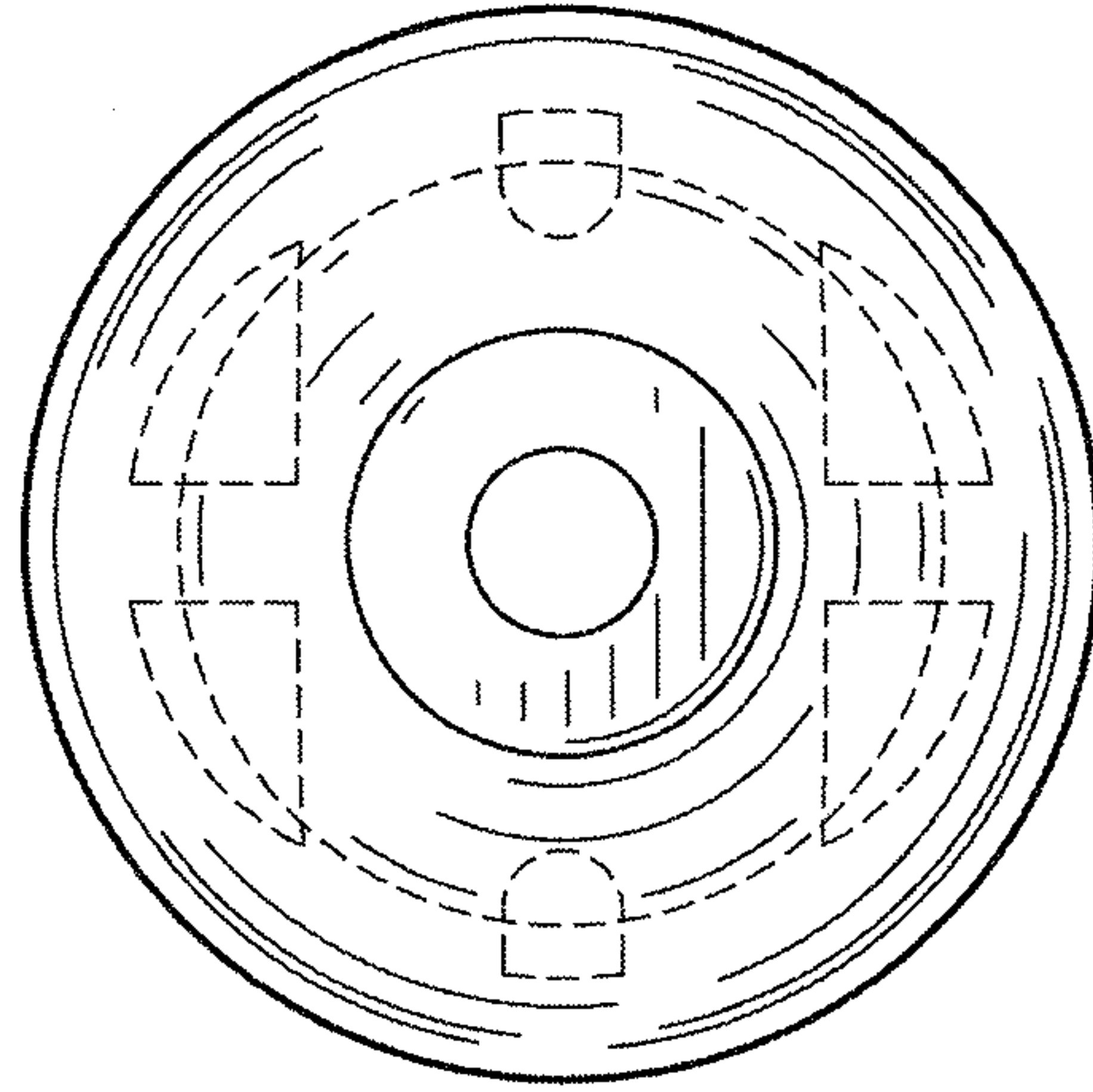


FIG. 6

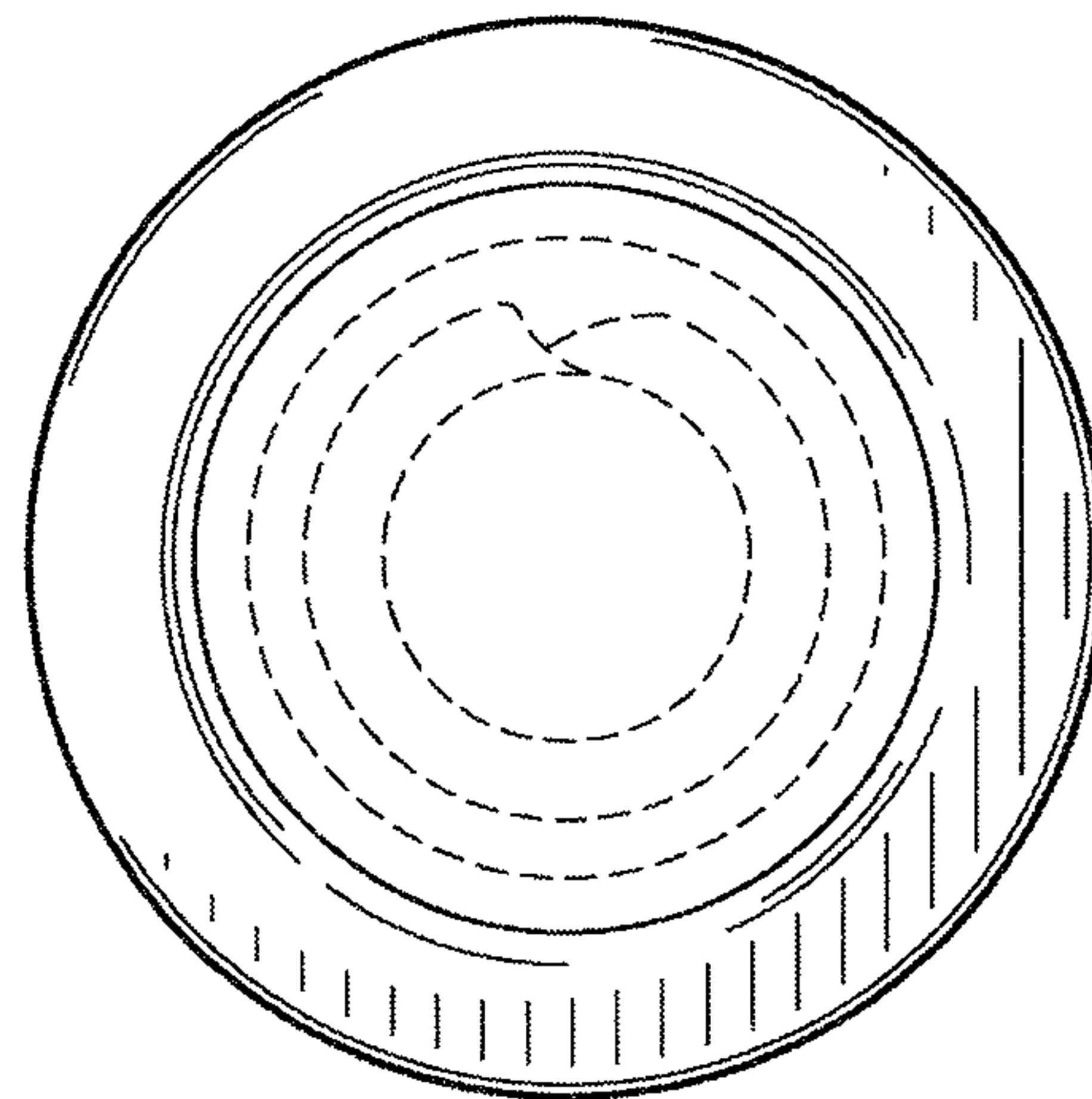


FIG. 7