



US00D747798S

(12) **United States Design Patent**  
**Green**

(10) **Patent No.:** **US D747,798 S**  
(45) **Date of Patent:** **\*\* Jan. 19, 2016**

- (54) **CELL ENCAPSULATION DEVICE**
- (71) Applicant: **VIACYTE, INC.**, San Diego, CA (US)
- (72) Inventor: **Chad Green**, San Diego, CA (US)
- (73) Assignee: **VIACYTE, INC.**, San Diego, CA (US)
- (\*\*) Term: **14 Years**
- (21) Appl. No.: **29/518,516**
- (22) Filed: **Feb. 24, 2015**

5,593,440	A	1/1997	Brauker et al.	
5,713,888	A	2/1998	Neuenfeldt et al.	
5,733,336	A	3/1998	Neuenfeldt et al.	
5,759,180	A	6/1998	Myhres	
5,902,745	A	5/1999	Butler et al.	
5,964,261	A	10/1999	Neuenfeldt et al.	
6,060,640	A	5/2000	Pauley et al.	
D448,661	S *	10/2001	Kerr	D9/696
7,147,105	B2 *	12/2006	Gammons	A45C 13/002 206/320
D548,609	S	8/2007	Considine et al.	
D581,808	S *	12/2008	Schwartz	D9/708
D612,719	S *	3/2010	Frank	D9/432
D616,760	S *	6/2010	Deurerer	D9/611
7,815,617	B2 *	10/2010	Dircks	B32B 7/12 604/332
D633,141	S *	2/2011	Deng	D18/56
D661,201	S *	6/2012	Schroeder	D9/710
8,278,106	B2 *	10/2012	Martinson	A61K 35/39 435/289.1
D726,306	S *	4/2015	Green	D24/118
D726,307	S *	4/2015	Green	D24/118
D728,095	S *	4/2015	Green	D24/118
D734,847	S *	7/2015	Green	D24/118

**Related U.S. Application Data**

- (62) Division of application No. 29/408,368, filed on Dec. 12, 2011, now Pat. No. Des. 728,095.
- (51) **LOC (10) Cl.** ..... **24-02**
- (52) **U.S. Cl.**  
USPC ..... **D24/118**
- (58) **Field of Classification Search**  
USPC ..... D24/118, 127, 108, 128, 111, 189;  
604/317, 327, 408, 403, 108, 339, 92,  
604/415, 410, 332, 333, 322, 323;  
128/DIG. 24; 383/22, 23, 35; D9/707,  
D9/709, 696; 206/219; D18/56; 623/23.72,  
623/1.41, 13.17; 435/325  
CPC ..... A61M 5/00; A61M 31/00; A61M 35/00;  
C12N 5/0677  
See application file for complete search history.

\* cited by examiner

*Primary Examiner* — David Muller

(74) *Attorney, Agent, or Firm* — Mark D. Wieczorek; Mayer & Williams PC

(57) **CLAIM**

The ornamental design for the cell encapsulation device, as shown.

**DESCRIPTION**

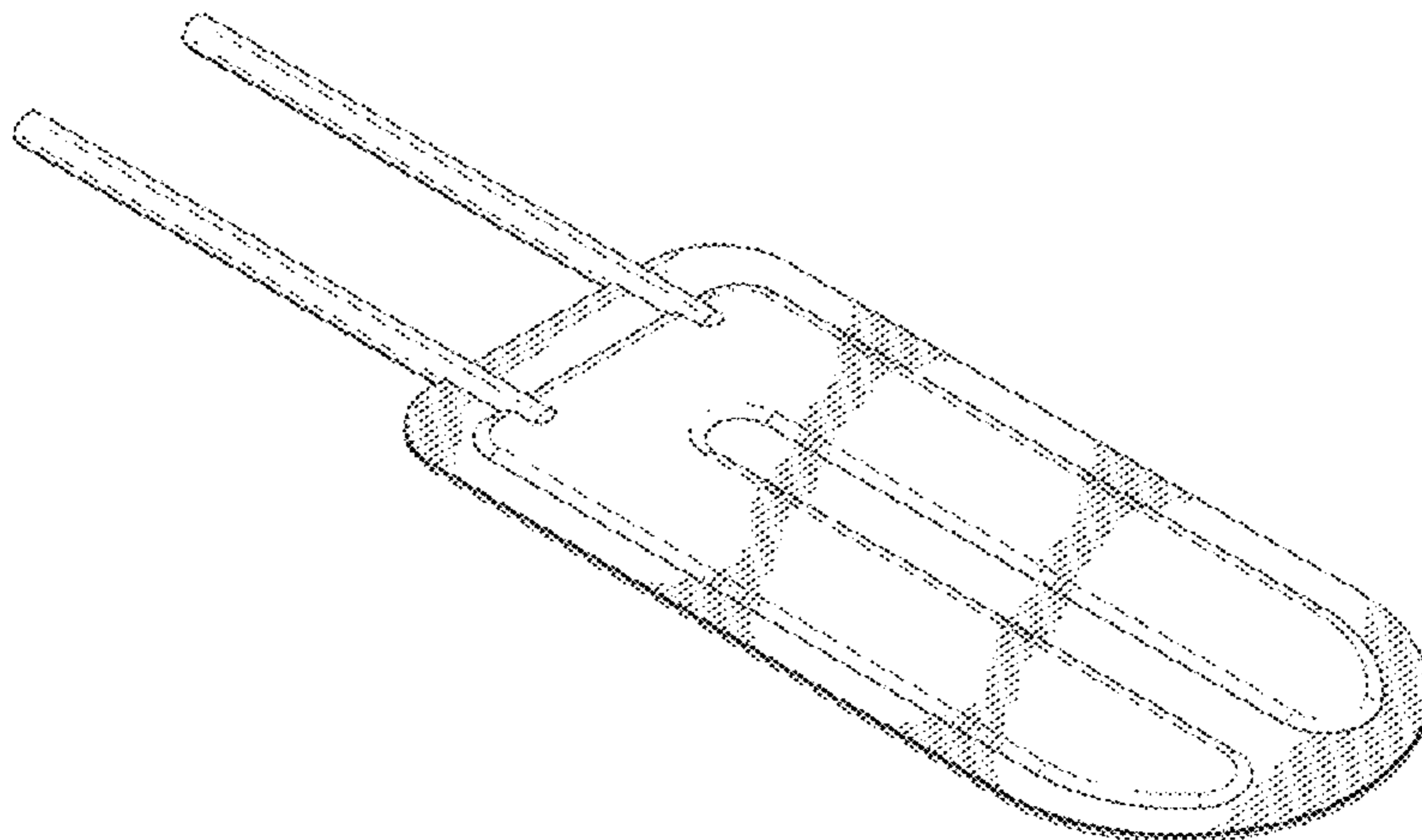
FIG. 1 is a perspective view of the cell encapsulation device. FIG. 2 is a top plan view thereof; FIG. 3 is a bottom plan view thereof; FIG. 4 is a left side elevational view thereof; FIG. 5 is a right side elevational view thereof; FIG. 6 is a rear elevational view thereof; and, FIG. 7 is a front elevational view thereof.

**1 Claim, 3 Drawing Sheets**

(56) **References Cited**

**U.S. PATENT DOCUMENTS**

2,836,329	A	5/1958	Chenette
4,852,742	A	8/1989	Scuorzo
5,314,471	A	5/1994	Brauker et al.
D350,690	S	9/1994	Herro
D362,913	S	10/1995	Eisenberg et al.
D367,705	S	3/1996	Williams
D369,607	S	5/1996	MacGilvary et al.
5,545,223	A	8/1996	Neuenfeldt et al.



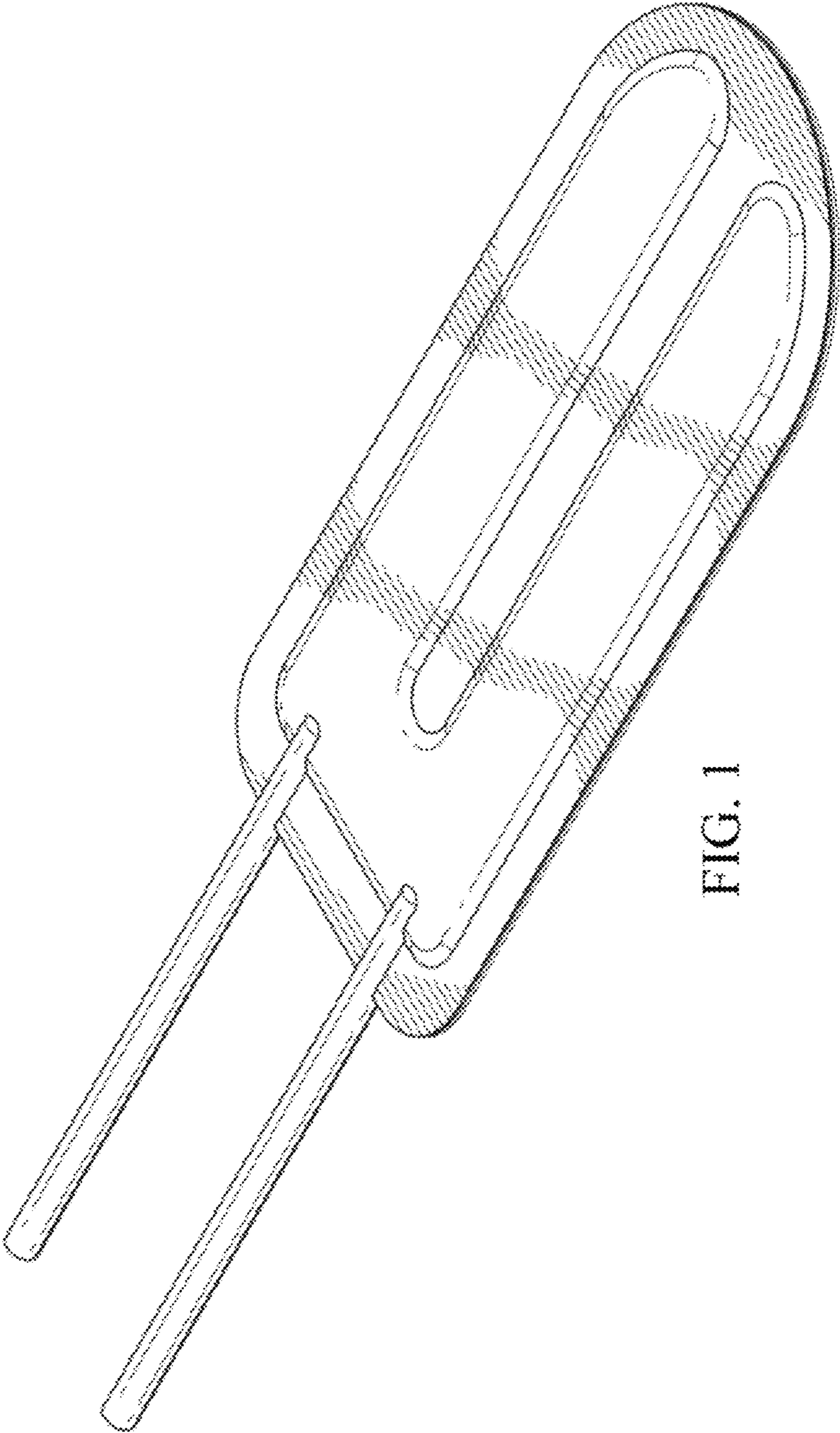


FIG. 1

FIG. 2

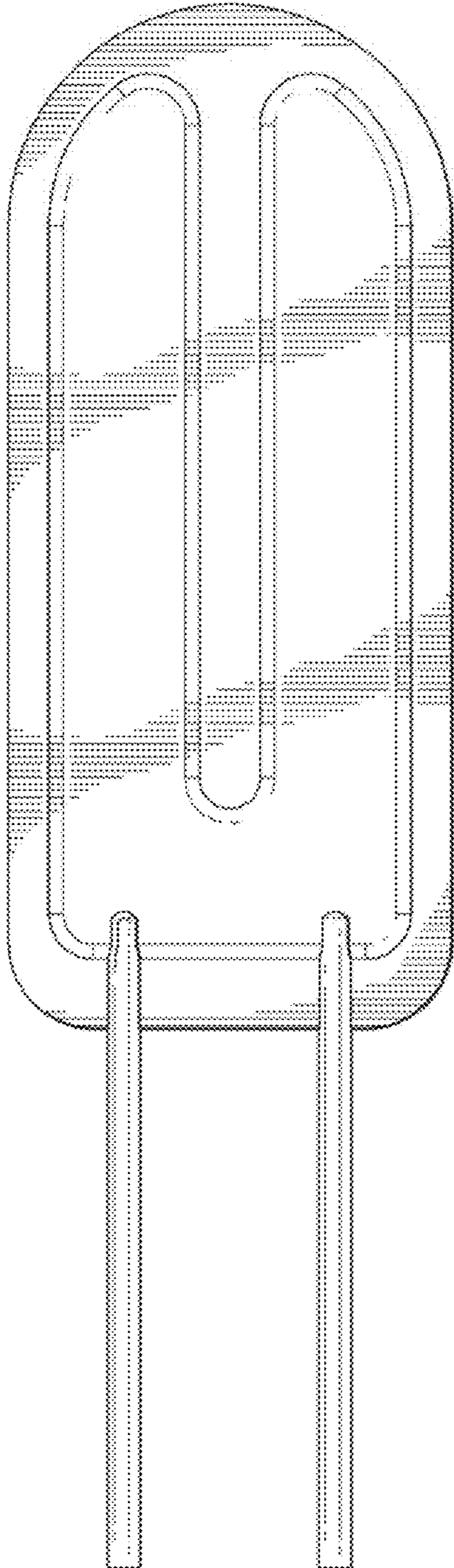


FIG. 3

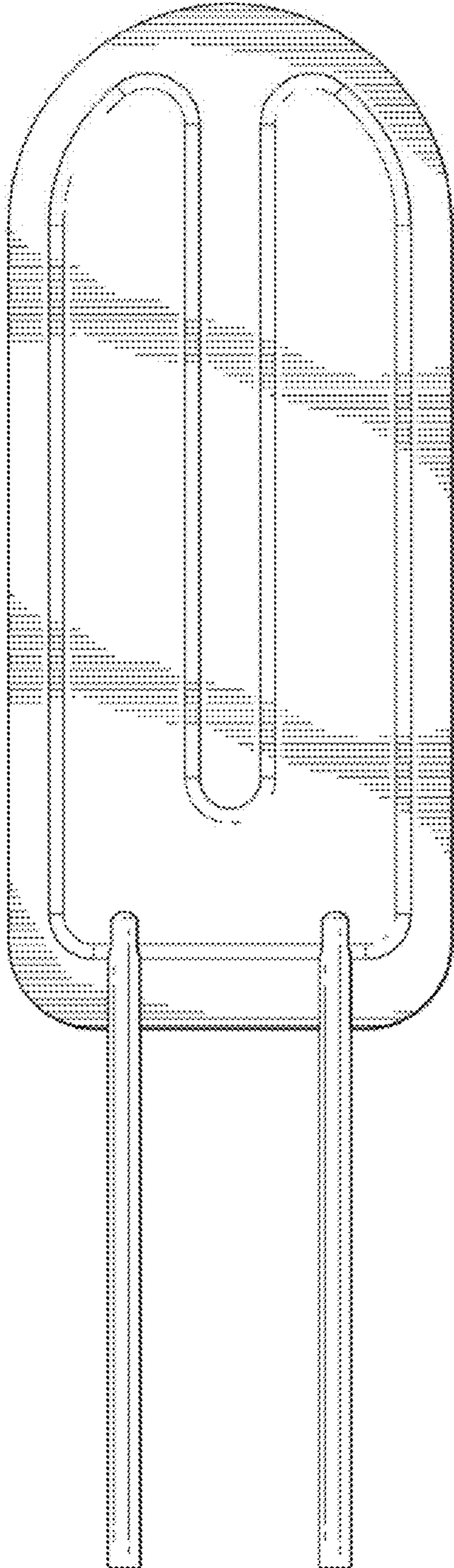


FIG. 4



FIG. 5

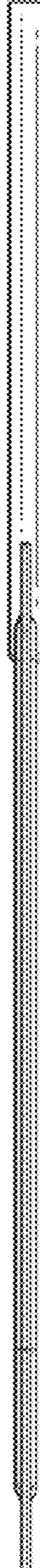


FIG. 6



FIG. 7

