



US00D747797S

(12) **United States Design Patent**  
**Fourt et al.**

(10) **Patent No.:** **US D747,797 S**  
(45) **Date of Patent:** **\*\* Jan. 19, 2016**

(54) **INJECTION DEVICE**

(56) **References Cited**

(71) Applicants: **Jesse Arnold Fourt**, Menlo Park, CA (US); **Alexander Coriano, III**, Brisbane, CA (US); **John W. Lai**, San Bruno, CA (US); **David Jason Wilkins**, San Francisco, CA (US); **Thomas Dieter Christian Overthun**, San Francisco, CA (US)

U.S. PATENT DOCUMENTS

2,105,946 A \* 1/1938 Lewis ..... 604/59  
D262,739 S \* 1/1982 Nitshke ..... D24/130

(Continued)

FOREIGN PATENT DOCUMENTS

WO 2007002052 1/2007  
WO 2007047200 4/2007

(Continued)

OTHER PUBLICATIONS

Unpublished U.S. Appl. No. 61/716,029, Eli Lilly and Company, entitled "Trigger Assembly for an Automatic Injection Device".

(Continued)

(72) Inventors: **Jesse Arnold Fourt**, Menlo Park, CA (US); **Alexander Coriano, III**, Brisbane, CA (US); **John W. Lai**, San Bruno, CA (US); **David Jason Wilkins**, San Francisco, CA (US); **Thomas Dieter Christian Overthun**, San Francisco, CA (US)

(73) Assignee: **Eli Lilly and Company**, Indianapolis, IN (US)

*Primary Examiner* — David Muller

*Assistant Examiner* — Nathan Johnston

(74) *Attorney, Agent, or Firm* — Edward J. Prein

(\*\*) Term: **14 Years**

(57) **CLAIM**

The ornamental design for an injection device, as shown and described.

(21) Appl. No.: **29/472,626**

**DESCRIPTION**

(22) Filed: **Nov. 14, 2013**

(51) **LOC (10) Cl.** ..... **24-02**

(52) **U.S. Cl.**

USPC ..... **D24/114**

(58) **Field of Classification Search**

USPC ..... D24/112–114, 133, 186, 104, 130, 127;  
606/181, 185; 604/264, 272, 115, 232,  
604/187, 158, 164.08, 192, 263, 163, 181,  
604/184, 198, 227

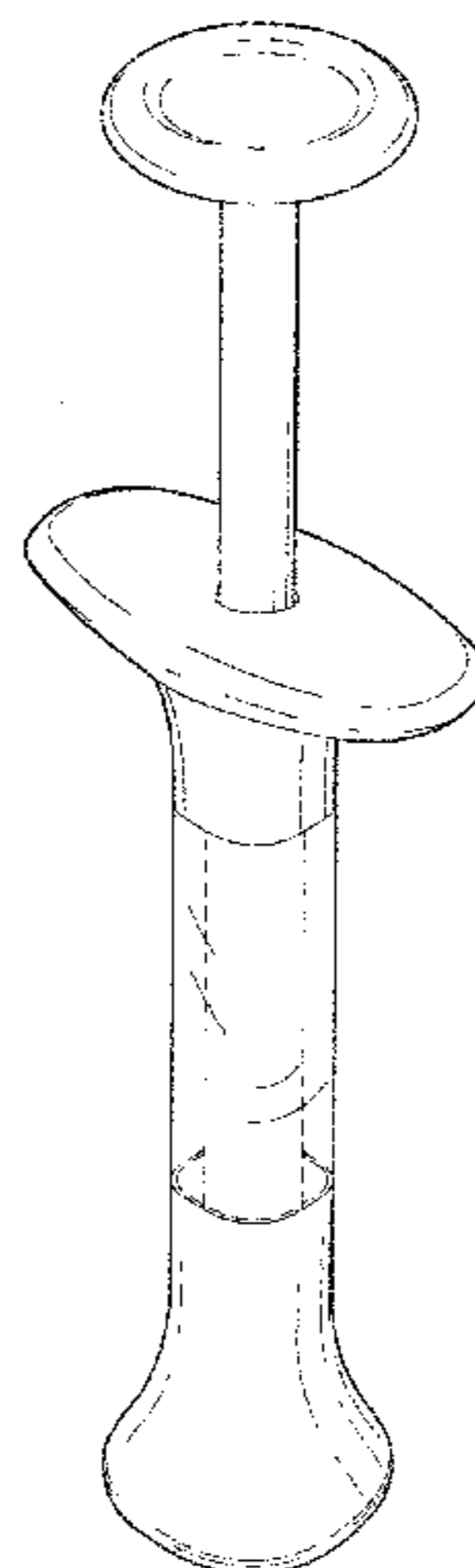
CPC ..... A61M 5/31596; A61M 2005/1787;  
A61M 2005/31508; A61M 5/31511; A61M  
2005/3121; A61M 2005/31598; A61M  
2005/3123

FIG. 1 is a perspective view of an injection device showing our new design;  
FIG. 2 is a front view thereof;  
FIG. 3 is a rear view thereof;  
FIG. 4 is side view thereof;  
FIG. 5 is an opposite side view thereof;  
FIG. 6 is a top view thereof; and,  
FIG. 7 is a bottom view thereof.

The broken lines in the Figures showing an internal portion and features on an underside of a middle portion and features on a bottom portion of the injection device form no part of the claimed design.

See application file for complete search history.

**1 Claim, 6 Drawing Sheets**



(56)

**References Cited**

**U.S. PATENT DOCUMENTS**

4,801,295 A \* 1/1989 Spencer ..... 604/198  
 4,994,045 A \* 2/1991 Ranford ..... 604/198  
 5,393,301 A 2/1995 Goldberg  
 D383,205 S \* 9/1997 Pagay et al. .... D24/112  
 D401,324 S 11/1998 Hjertman et al.  
 D401,325 S 11/1998 Hjertman et al.  
 D432,230 S \* 10/2000 Utas ..... D24/112  
 D445,176 S \* 7/2001 Landers ..... D24/114  
 D447,797 S \* 9/2001 Odell et al. .... D24/112  
 6,632,198 B2 10/2003 Caizza  
 7,918,824 B2 4/2011 Bishop et al.  
 D641,078 S 7/2011 Morgan et al.  
 8,034,034 B2 \* 10/2011 Hess et al. .... 604/226  
 D649,632 S 11/2011 Morgan et al.  
 D661,389 S 6/2012 Morgan et al.  
 8,409,138 B2 4/2013 James et al.

D698,918 S \* 2/2014 Leiner et al. .... D24/114  
 8,702,742 B2 \* 4/2014 Hanlon et al. .... 606/185  
 2006/0184132 A1 8/2006 Watson  
 2007/0078394 A1 \* 4/2007 Gillespie, III ..... 604/134  
 2009/0182284 A1 7/2009 Morgan  
 2014/0025013 A1 \* 1/2014 Dowds et al. .... 604/198

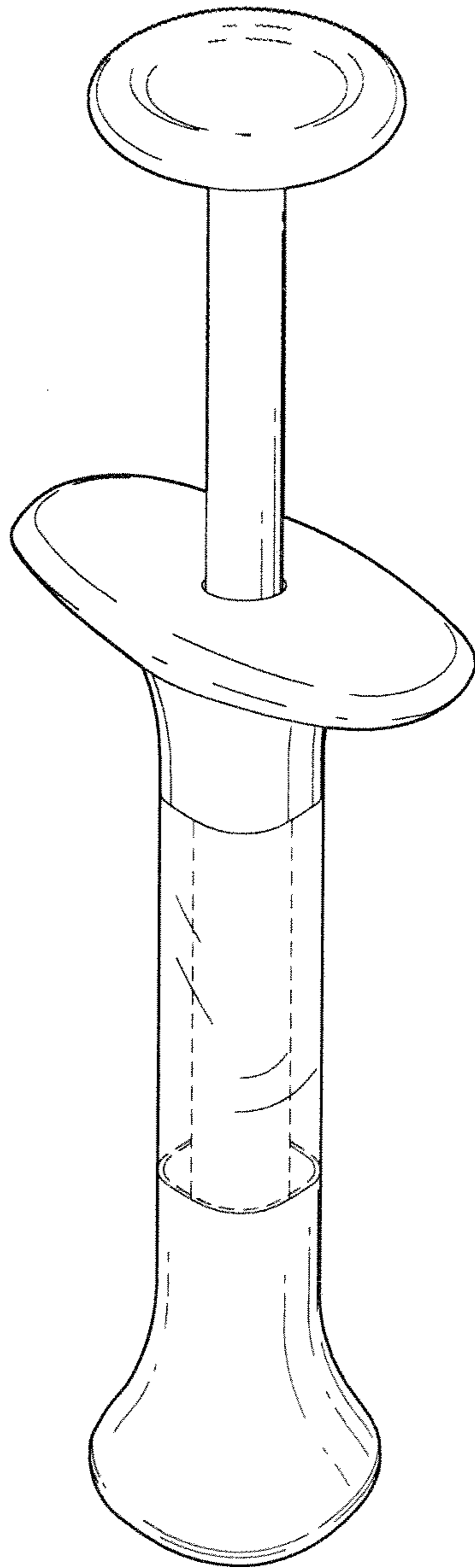
**FOREIGN PATENT DOCUMENTS**

WO 2010104779 9/2010  
 WO 20110109205 9/2011  
 WO 2013070715 5/2013

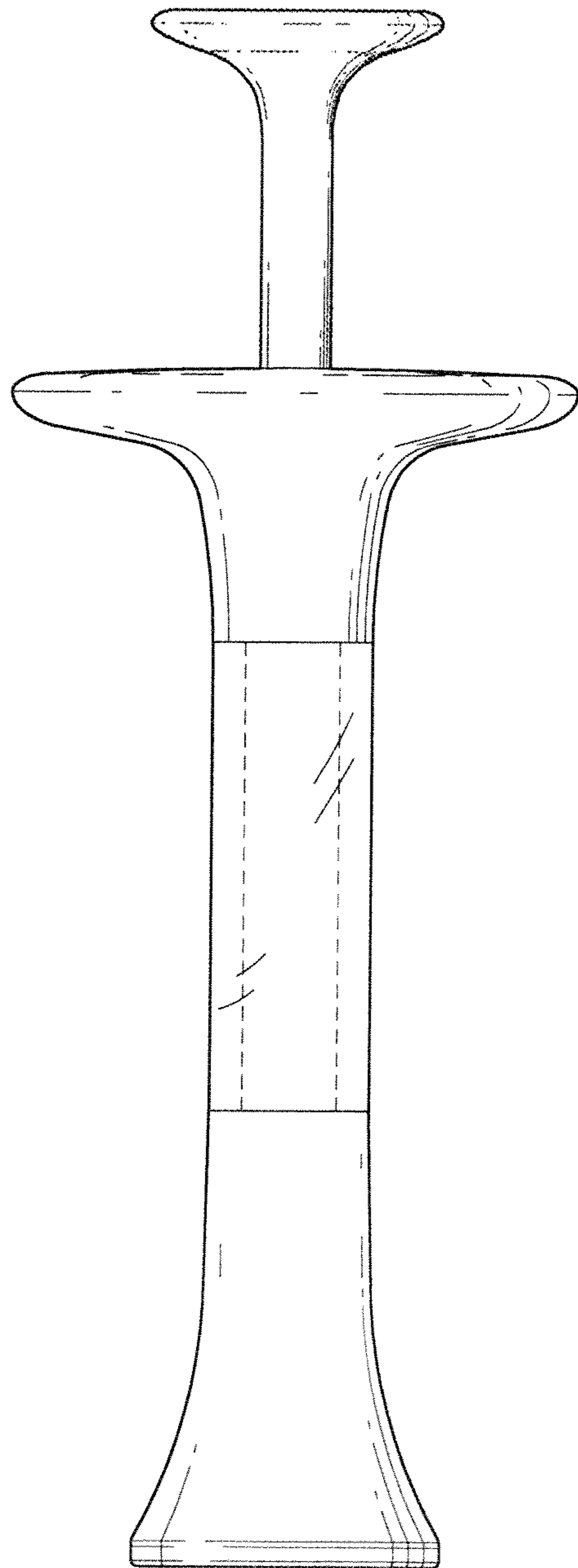
**OTHER PUBLICATIONS**

Unpublished U.S. Appl. No. 29/449,492, Eli Lilly and Company, entitled "Automatic Injection Device".

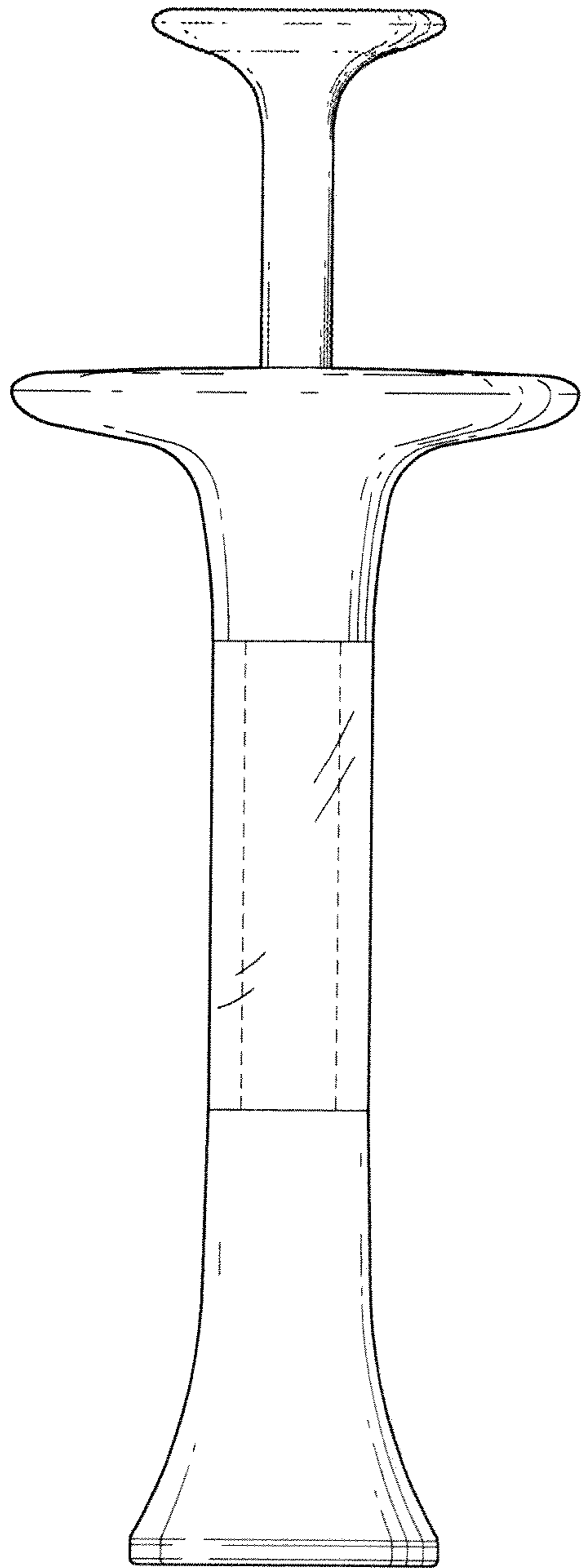
\* cited by examiner



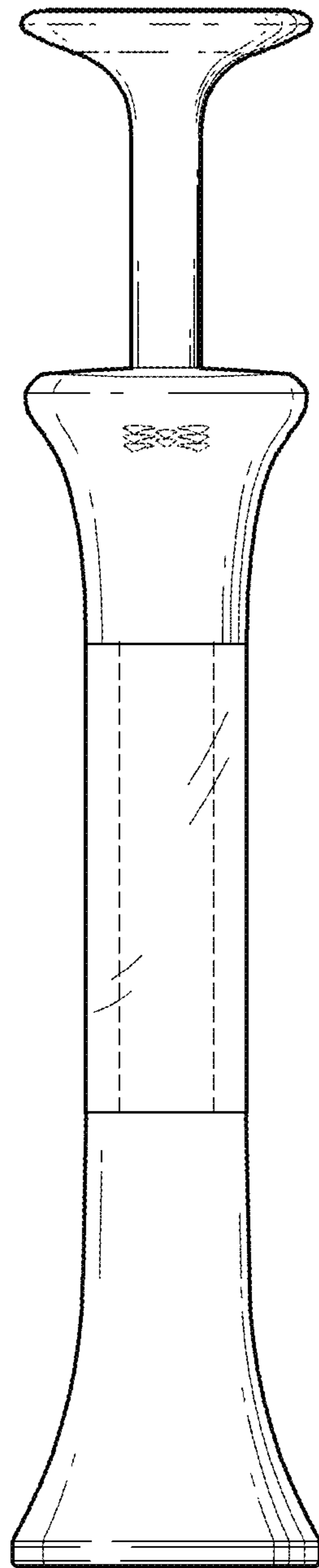
*Fig. 1*



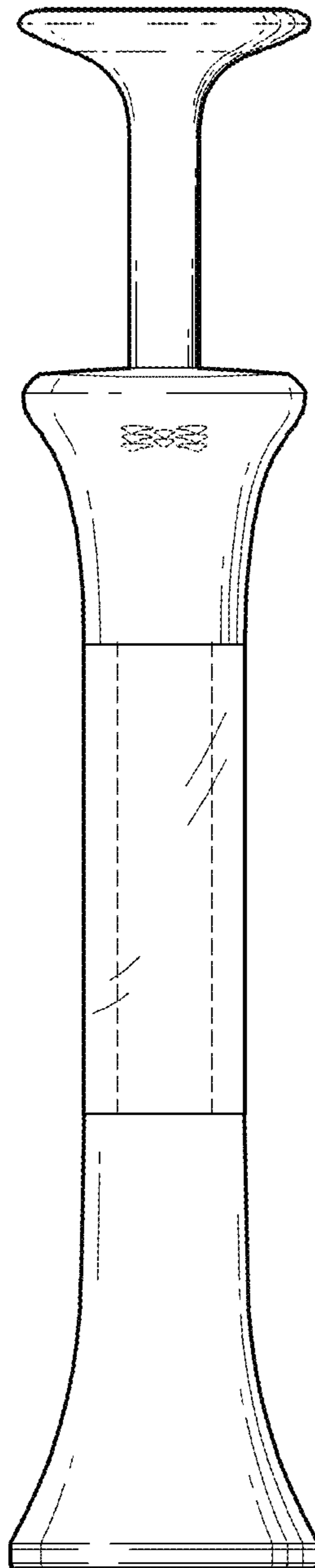
*Fig. 2*



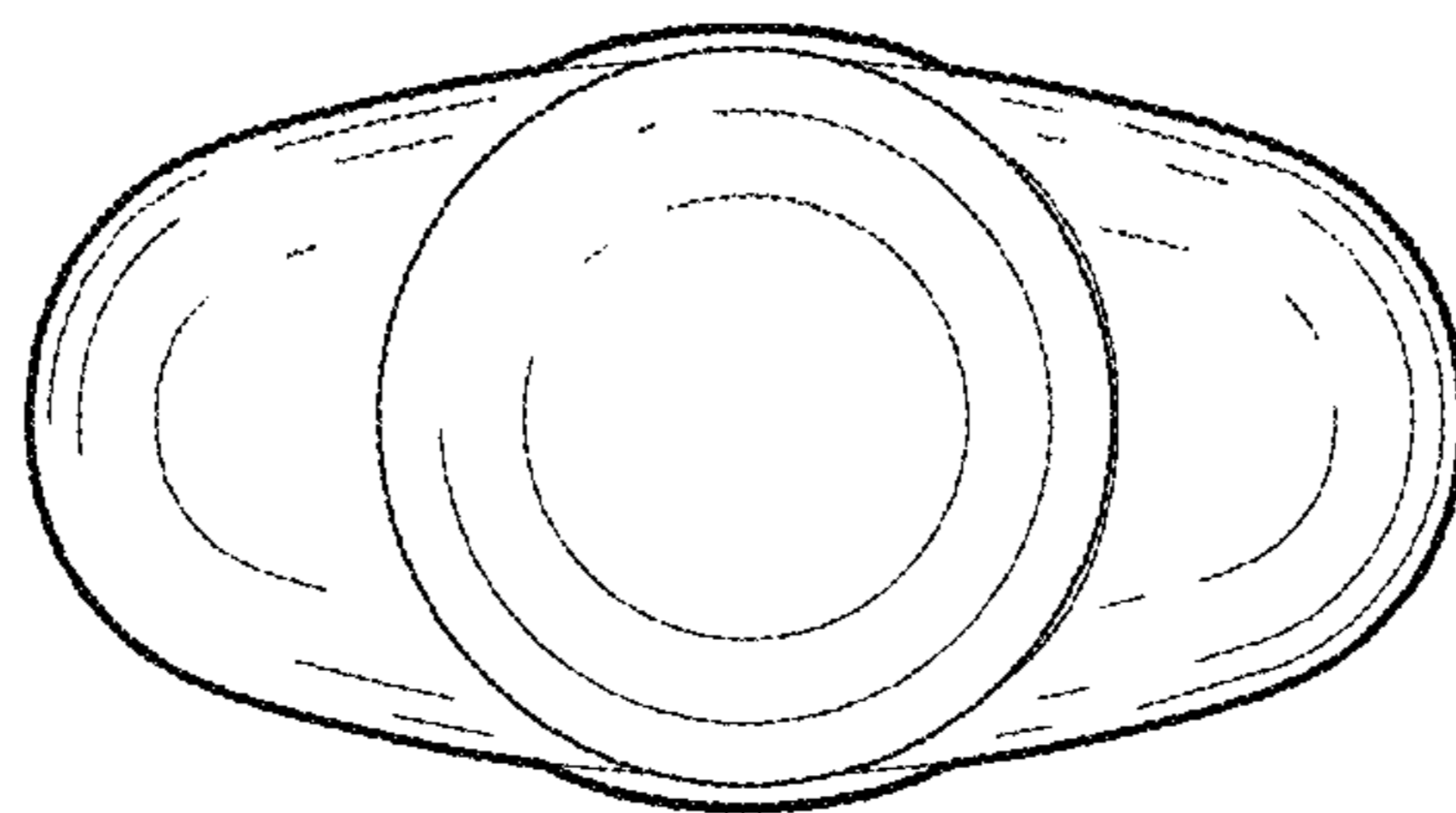
*Fig. 3*



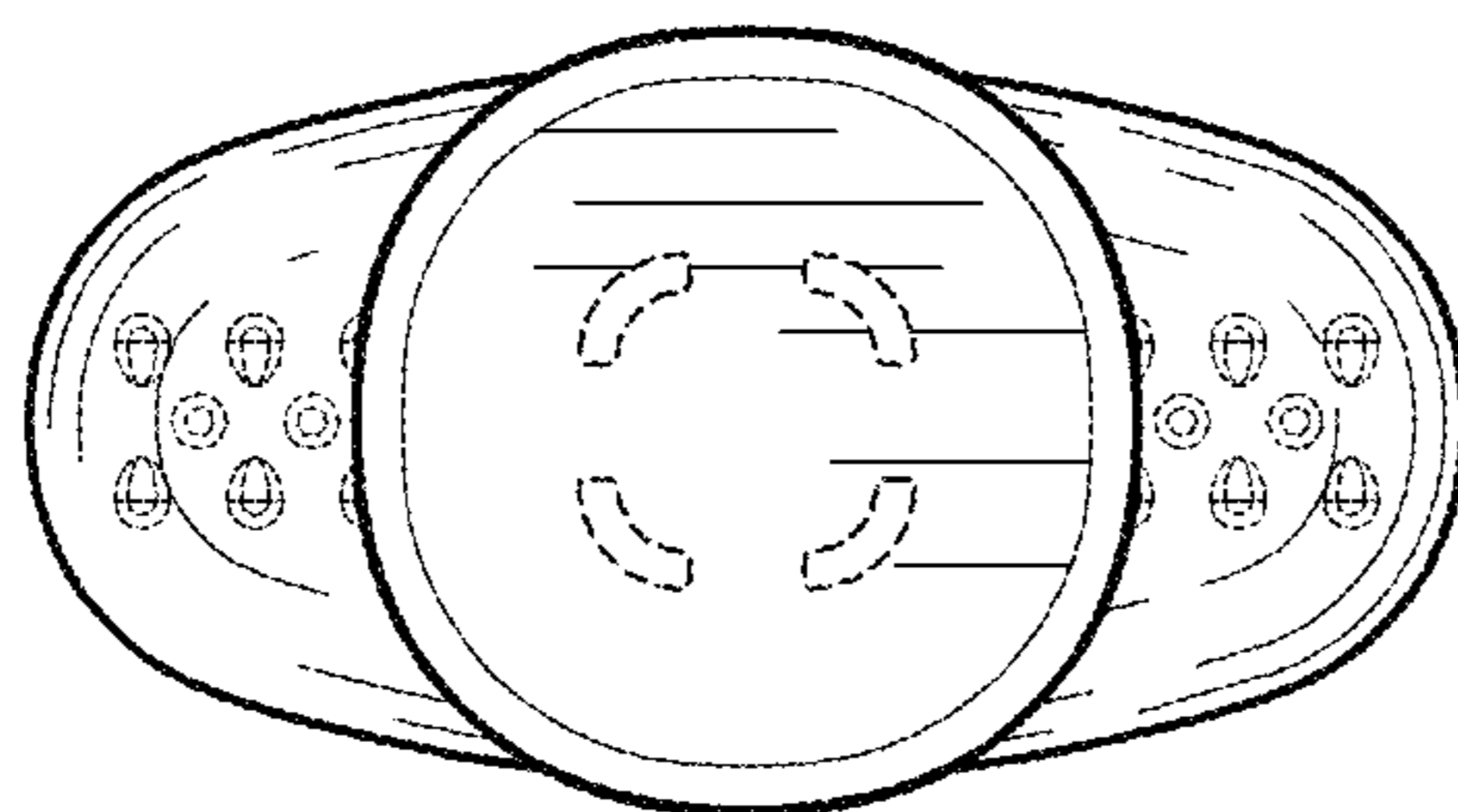
**Fig. 4**



**Fig. 5**



*Fig. 6*



*Fig. 7*