



US00D747787S

(12) **United States Design Patent**
Fishing

(10) **Patent No.:** **US D747,787 S**
(45) **Date of Patent:** **** Jan. 19, 2016**

(54) **BASE PLATE FOR TOILET TANK WITH OPAQUE AND TRANSLUCENT LAYERS**

(71) Applicant: **Peter Fishing**, Las Vegas, NV (US)

(72) Inventor: **Peter Fishing**, Las Vegas, NV (US)

(**) Term: **14 Years**

(21) Appl. No.: **29/514,765**

(22) Filed: **Jan. 15, 2015**

(51) **LOC (10) Cl.** **23-02**

(52) **U.S. Cl.**
USPC **D23/309**

(58) **Field of Classification Search**
USPC D23/295, 301, 303, 309, 313
CPC E03D 1/00; E03D 1/01; E03D 11/02
See application file for complete search history.

(56) **References Cited**

U.S. PATENT DOCUMENTS

- 1,838,356 A * 12/1931 Berry A61M 3/0225
4/420.1
- 2,156,174 A * 4/1939 Braatz E03D 1/01
4/251.2

- D150,306 S * 7/1948 Laufenberg D23/313
- 2,542,338 A * 2/1951 Laufenberg E03D 1/01
211/88.01
- D712,019 S * 8/2014 Wagner D23/311

* cited by examiner

Primary Examiner — Robert Delehanty

(74) *Attorney, Agent, or Firm* — Kenneth P. Avila

(57) **CLAIM**

I claim the ornamental design for a base plate for toilet tank with opaque and translucent layer, as shown and described.

DESCRIPTION

FIG. 1 is a top elevation view thereof with the front positioned at the bottom of the figure; the side opposite being a mirror image thereof except showing the translucent layer showing my new design;

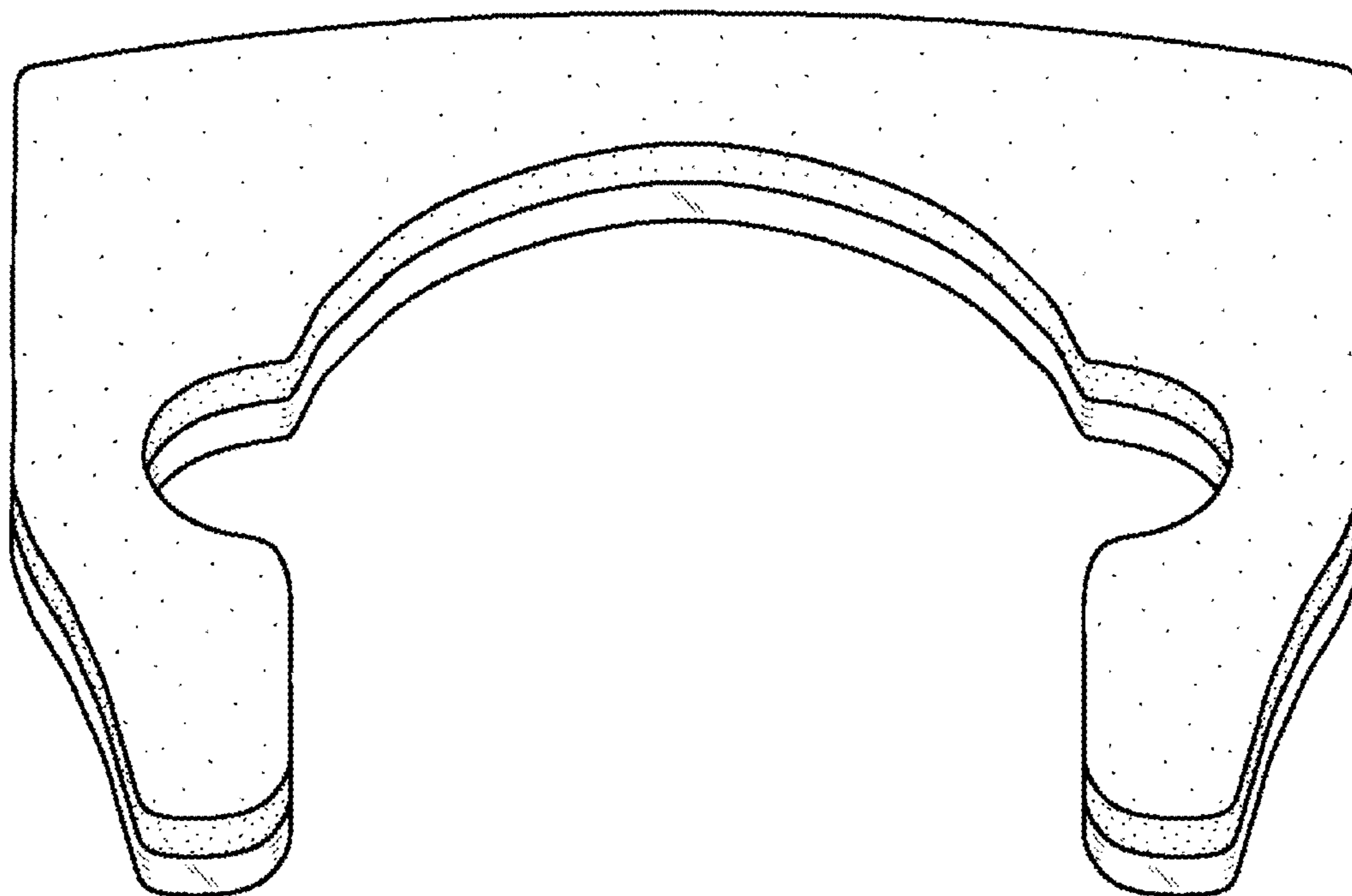
FIG. 2 is a top left perspective view thereof, the top right perspective view being a mirror image thereof;

FIG. 3 is a top front perspective view thereof; and,

FIG. 4 is a top rear perspective view thereof.

The toilet's tank which is positioned above the claimed design and the toilet's bowl which is positioned below the claimed design form no part of the claimed design. The top layer of the claimed design is opaque while the bottom layer of the claimed design is translucent.

1 Claim, 4 Drawing Sheets



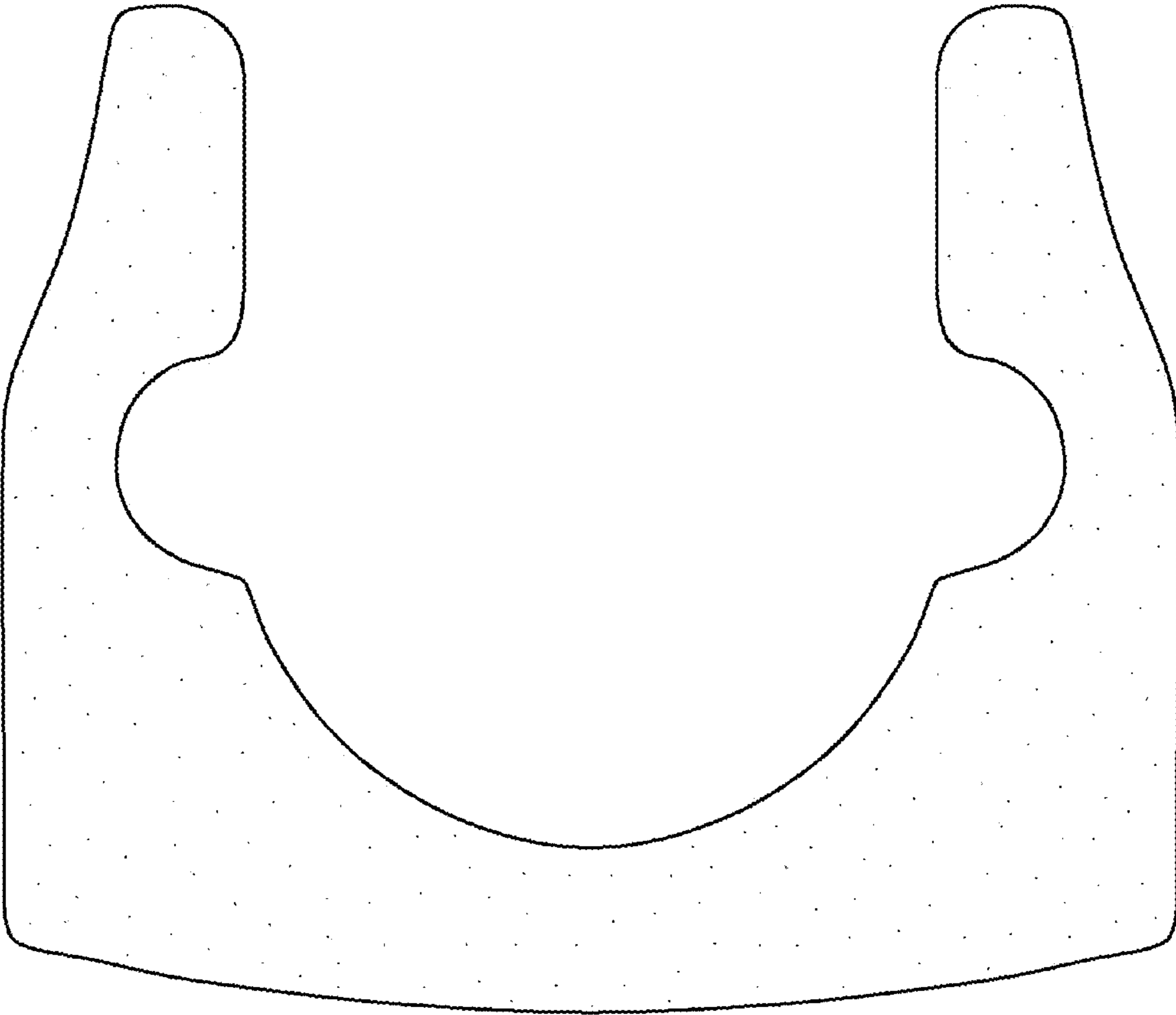


FIG. 1

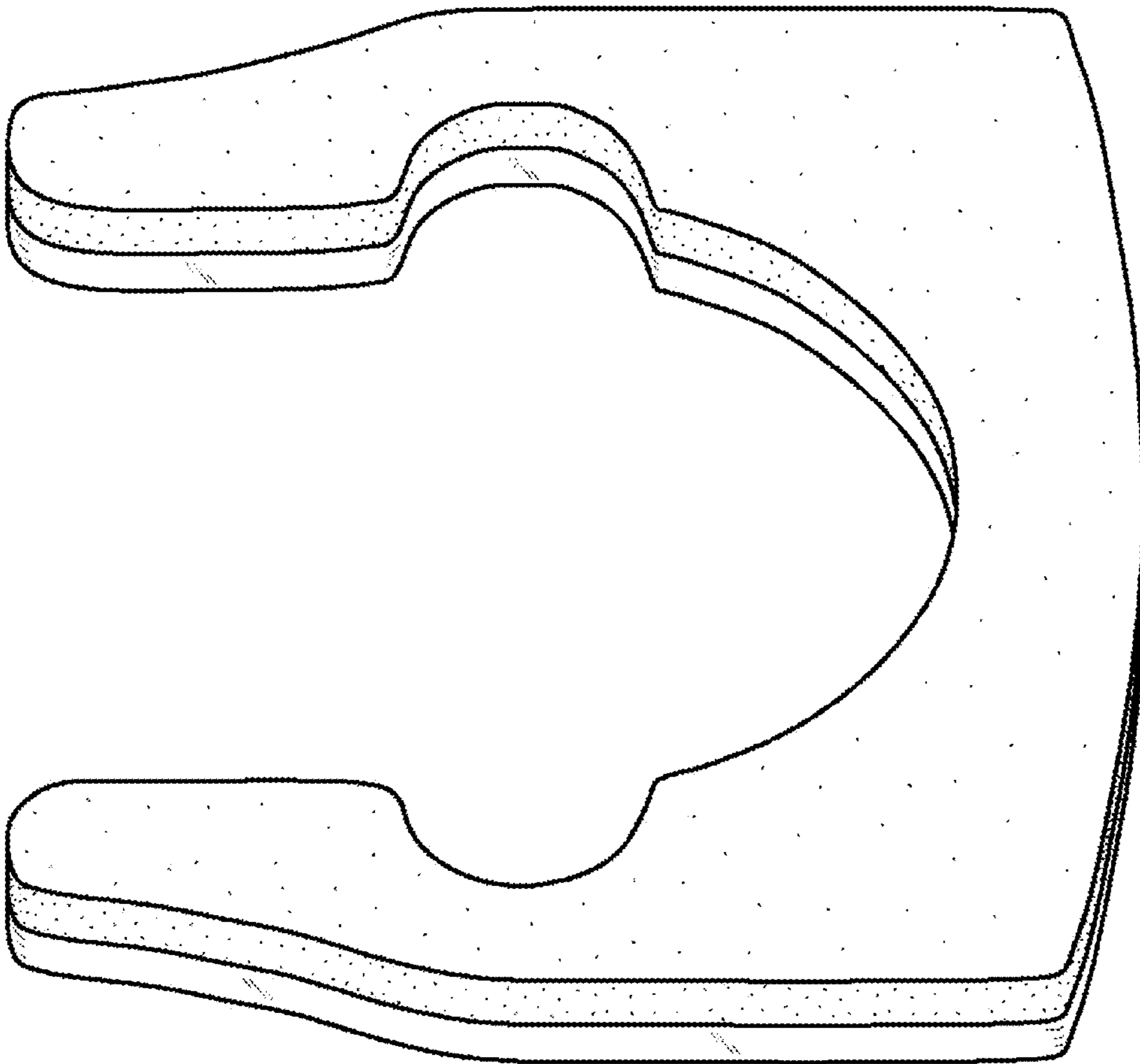


FIG. 2

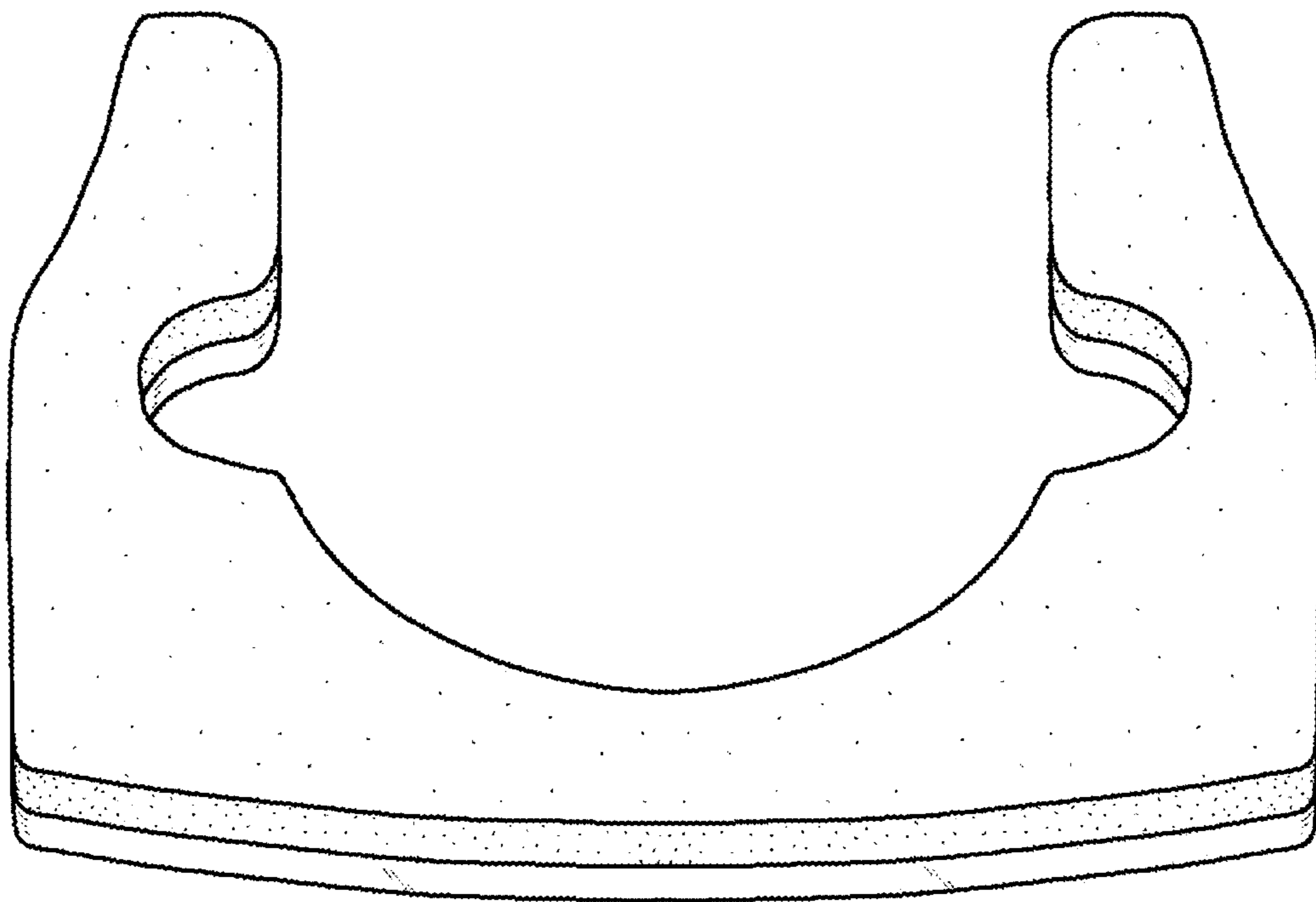


FIG. 3

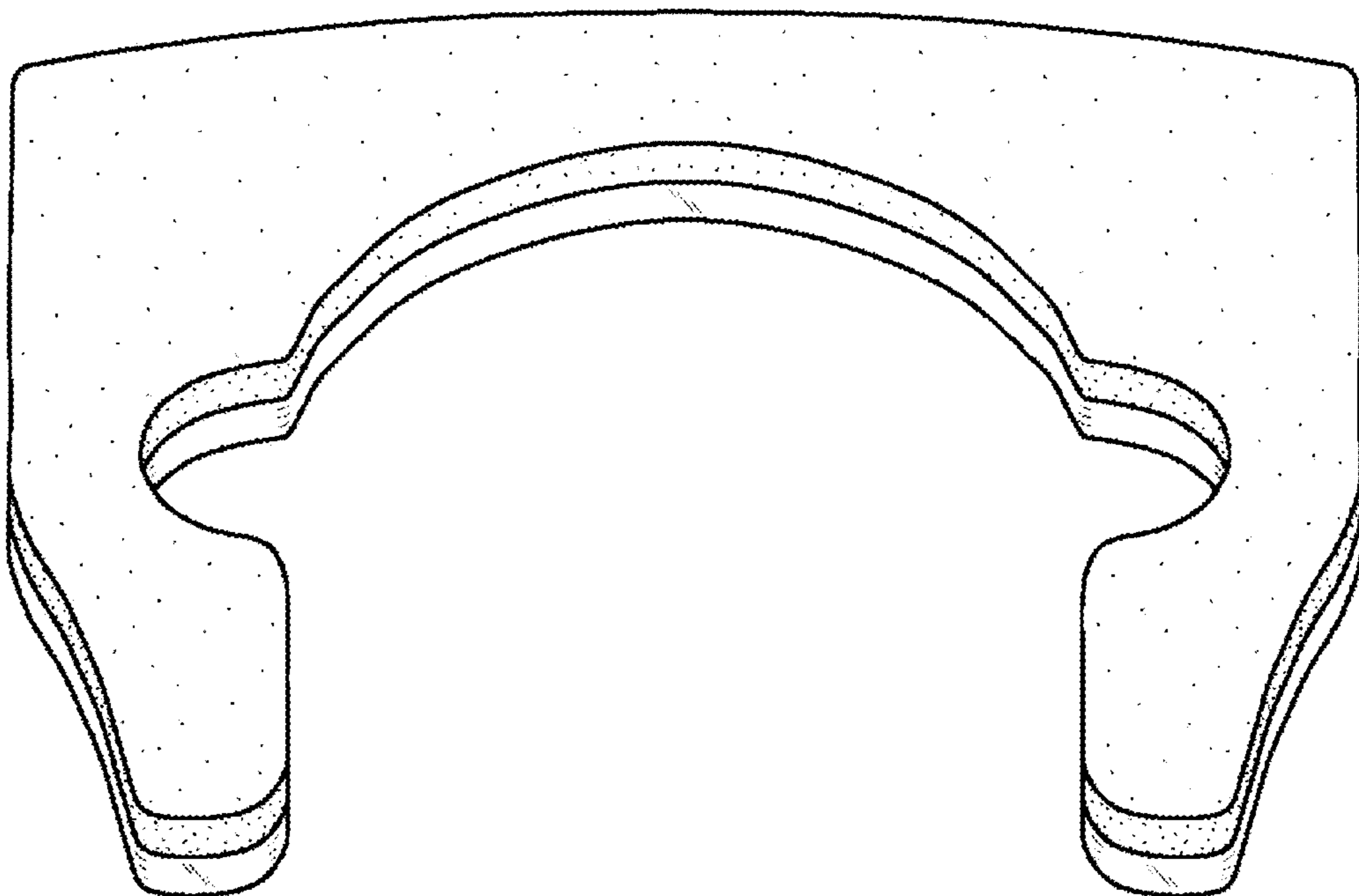


FIG. 4