

US00D747785S

(12) **United States Design Patent**
Ruprecht

(10) **Patent No.:** **US D747,785 S**
(45) **Date of Patent:** **** Jan. 19, 2016**

(54) **WATER FILTER CONNECTOR ASSEMBLY**

(71) Applicant: **Rapid Pure Inc.**, Lakeland, MN (US)

(72) Inventor: **John Ruprecht**, Lakeland, MN (US)

(73) Assignee: **Rapid Pure, Inc.**, Lakeland, MN (US)

(**) Term: **14 Years**

(21) Appl. No.: **29/512,426**

(22) Filed: **Dec. 18, 2014**

(51) **LOC (10) Cl.** **23-01**

(52) **U.S. Cl.**
USPC **D23/262**

(58) **Field of Classification Search**
USPC D23/259–263, 266–269, 233, 209, 210;
251/215, 216; 285/369, 372, 373, 417,
285/133.11, 133.3, 133.21, 133.4, 133.5,
285/133.6; 137/247, 247.41, 247.51
CPC F16L 11/00; F16L 37/252; F16L 41/007;
E03C 1/26; E03C 1/262; E03C 1/28; E03F
5/04; A61B 5/00; A61M 25/09016
See application file for complete search history.

(56) **References Cited**

U.S. PATENT DOCUMENTS

247,865	A	10/1881	Wodiska	
1,261,558	A	4/1918	Lackland	
D209,168	S *	11/1967	Hunt	D23/262
D235,342	S *	6/1975	Otto	D23/260
4,259,188	A	3/1981	Morgan	
4,673,501	A	6/1987	Wells et al.	
D316,741	S	5/1991	Kurth et al.	
5,219,525	A	6/1993	Harrison	
D388,500	S *	12/1997	Burchard	D23/209
5,988,225	A *	11/1999	Schulz	B21C 37/294 138/109
D441,421	S *	5/2001	Aldred	D23/209
D470,912	S	2/2003	Daws et al.	
D493,207	S *	7/2004	Ueda	D23/209
D600,322	S *	9/2009	Forsythe	D23/260

D600,323	S *	9/2009	Forsythe	D23/260
D607,546	S *	1/2010	Forsythe	D23/262
7,926,414	B1	4/2011	Wolcott et al.	
D638,517	S	5/2011	Greenway-Balnar et al.	
D645,545	S *	9/2011	Forsythe	D23/262
D646,749	S	10/2011	Morad	
D675,708	S	2/2013	Smiedt et al.	
D733,265	S *	6/2015	Eriksen	D23/262

* cited by examiner

Primary Examiner — Sandra Snapp

(74) *Attorney, Agent, or Firm* — James L. Young; Westman, Champlin & Koehler, P.A.

(57) **CLAIM**

The ornamental design for a water filter connector assembly, as shown and described.

DESCRIPTION

FIG. 1 is a perspective view of the first embodiment thereof having a connector end and a cap end, with dashed lines indicating a filter element on the connector end, disposed between the connector end and the cap end, and with dashed lines on the connector end indicating a threaded portion of indefinite length;

FIG. 2 is a side view thereof (the view is the same from all sides thereof);

FIG. 3 is a top view thereof;

FIG. 4 is a bottom view thereof;

FIG. 5 is an exploded perspective view thereof;

FIG. 6 is a perspective view of a second embodiment thereof having a connector end, with the dashed lines on the connector end indicating a threaded portion of indefinite length;

FIG. 7 is a side view of the embodiment of FIG. 6 (the view is the same from all sides thereof);

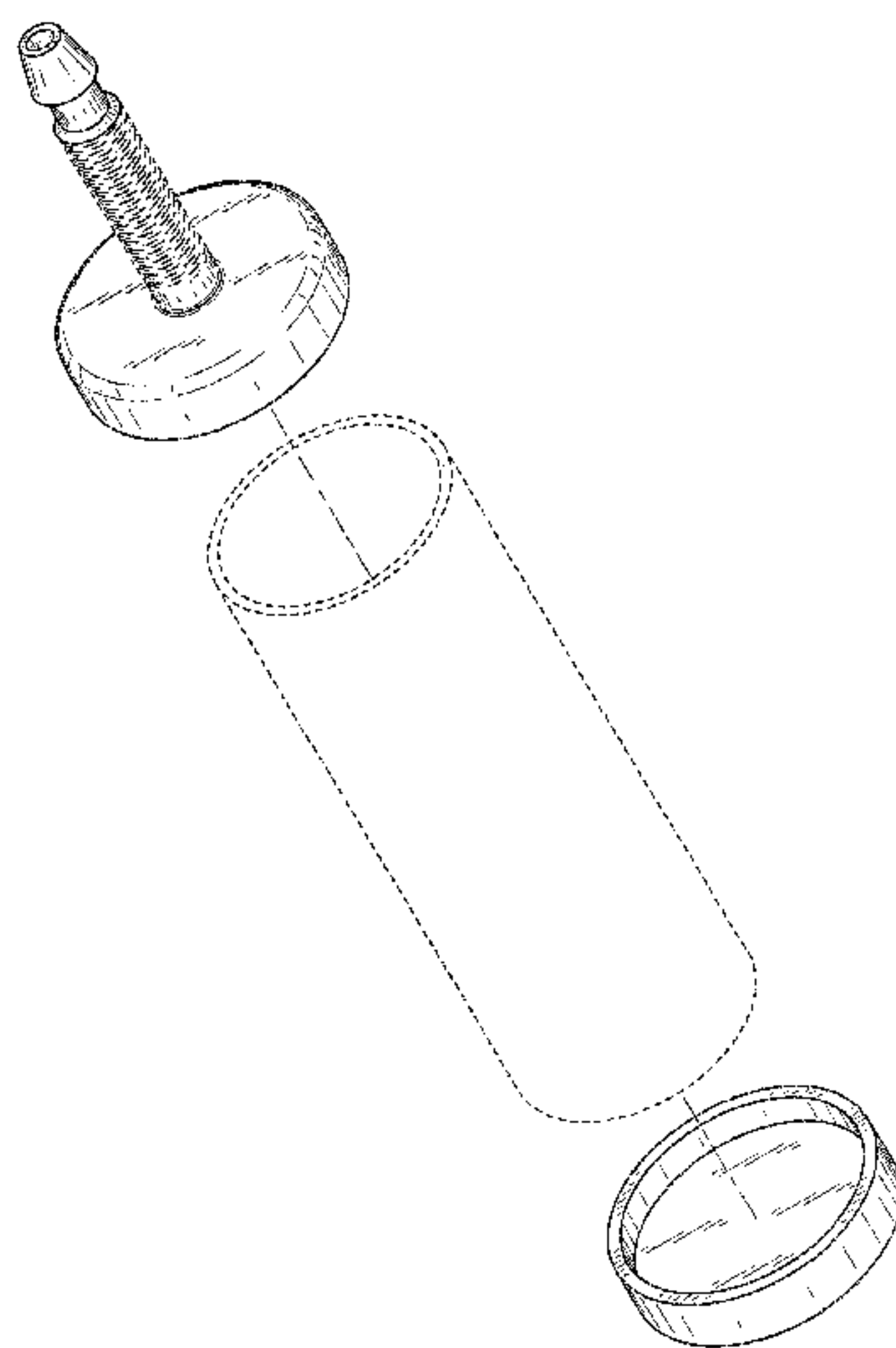
FIG. 8 is a top of the embodiment of FIG. 6; and,

FIG. 9 is a bottom view of the embodiment of FIG. 6.

The dashed lines form no part of the claimed design.

Connective lines for the exploded view of FIG. 5 are shown as the long-short-long dashed lines in FIG. 5.

1 Claim, 3 Drawing Sheets



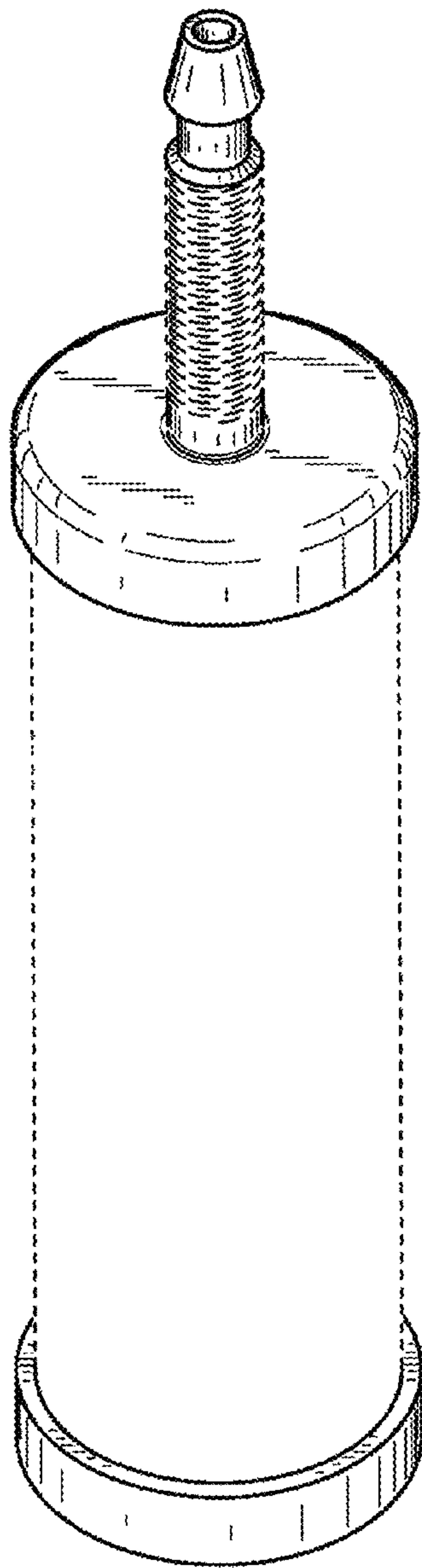


Fig. 1

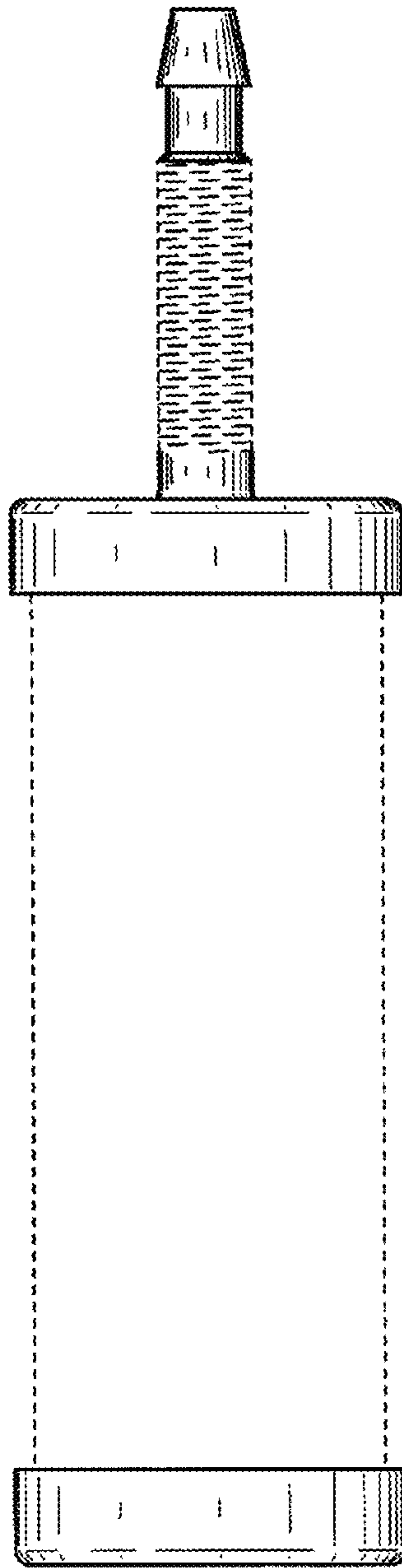


Fig. 2

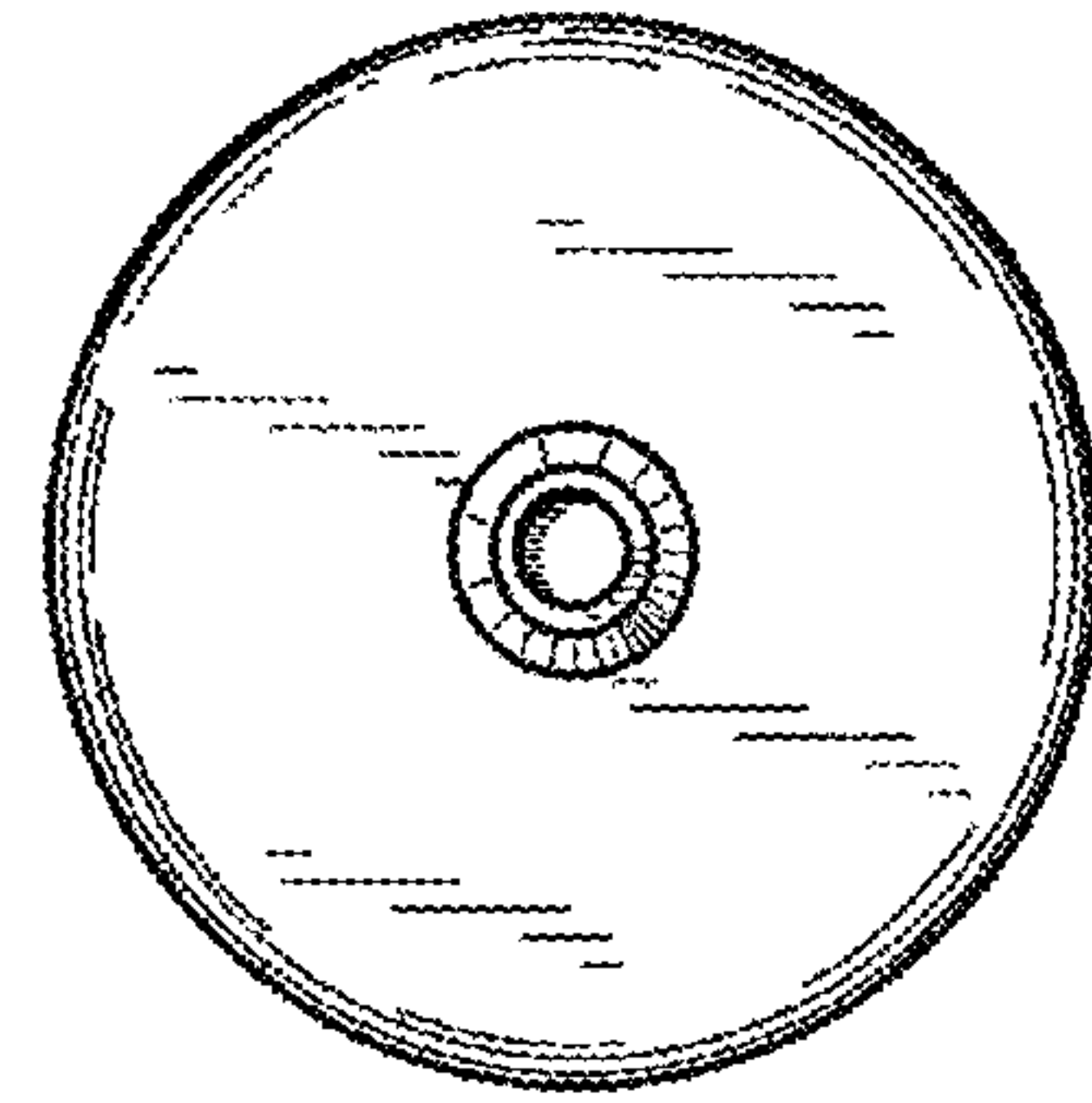


Fig. 3

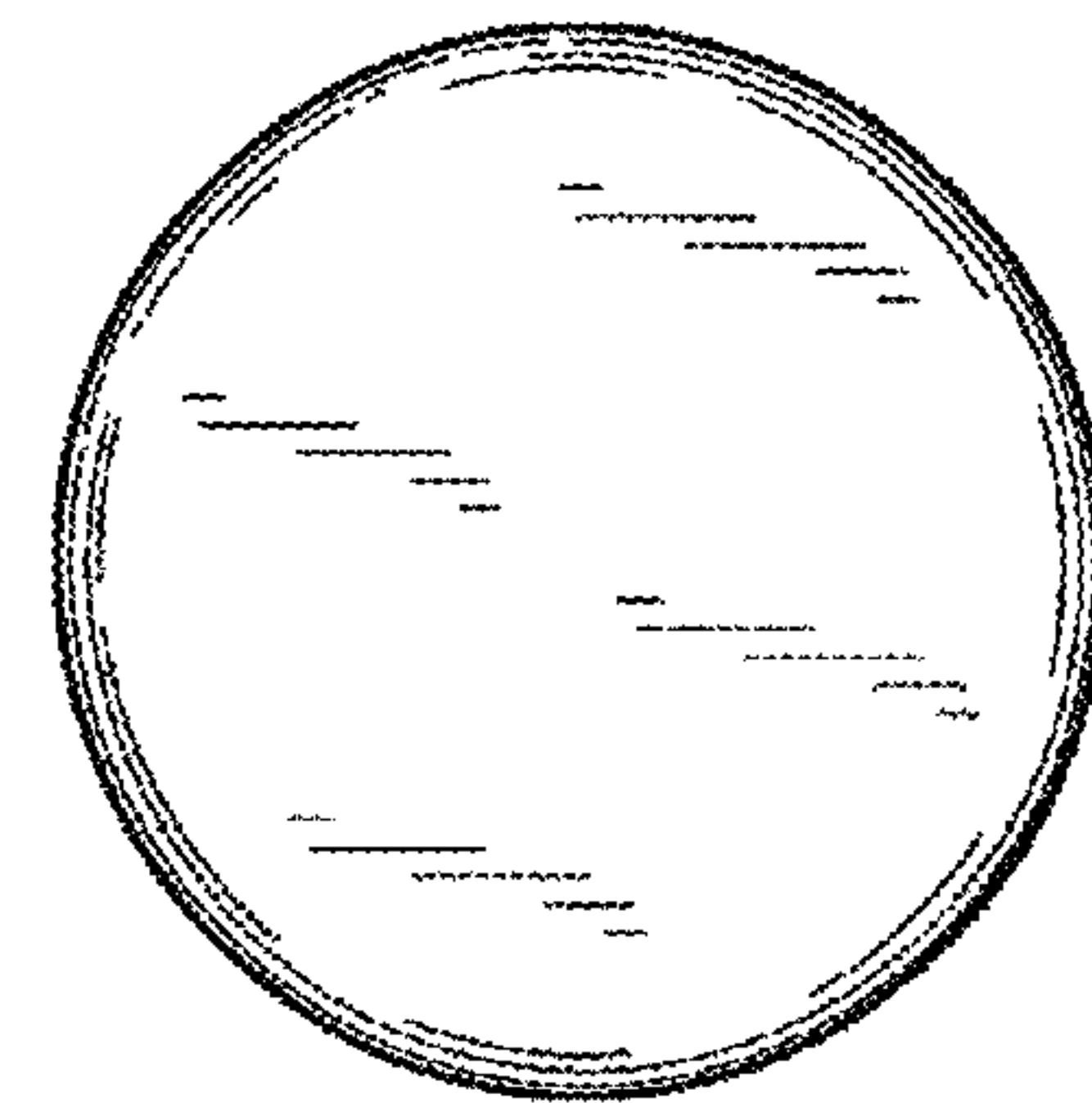


Fig. 4

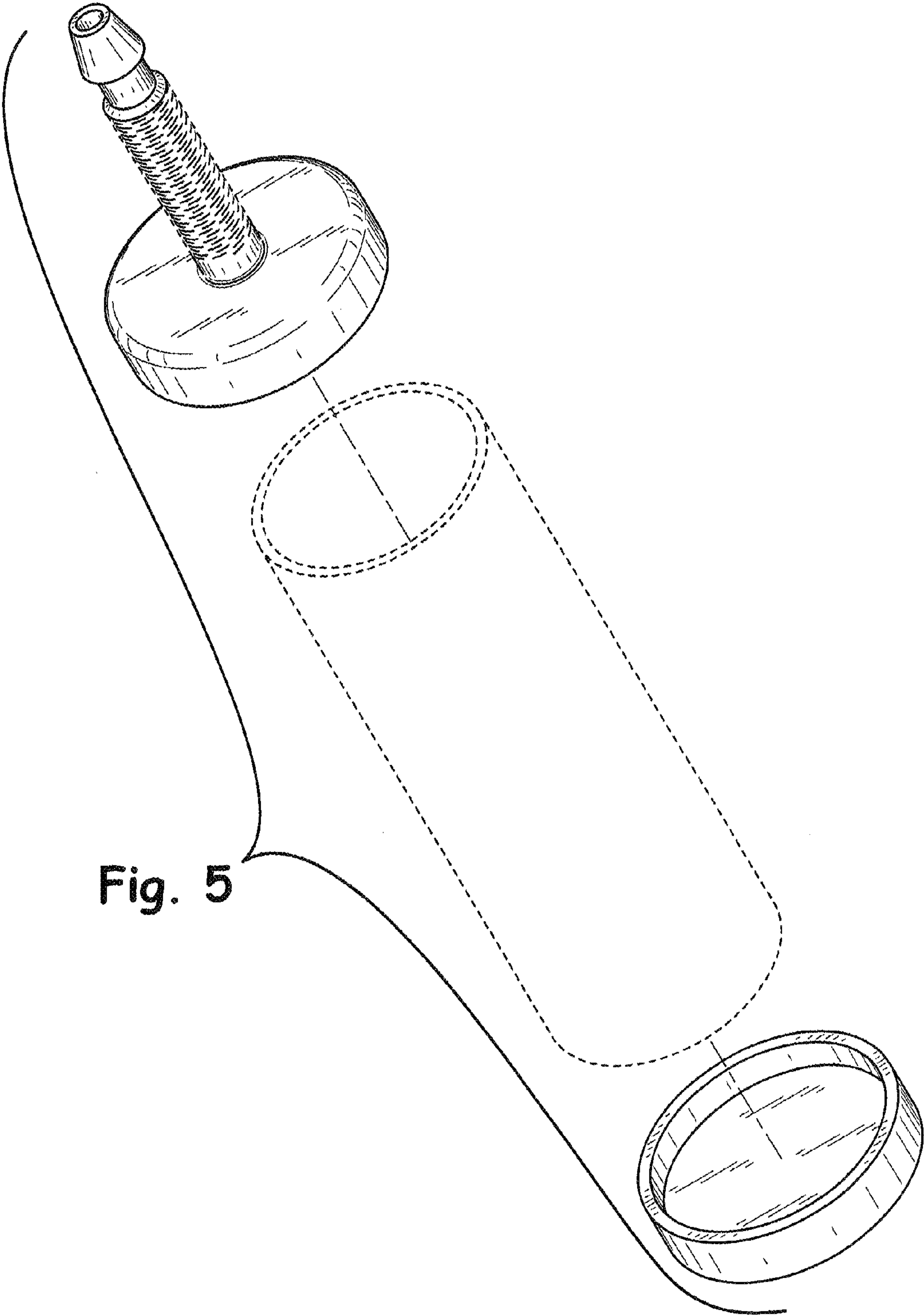


Fig. 5

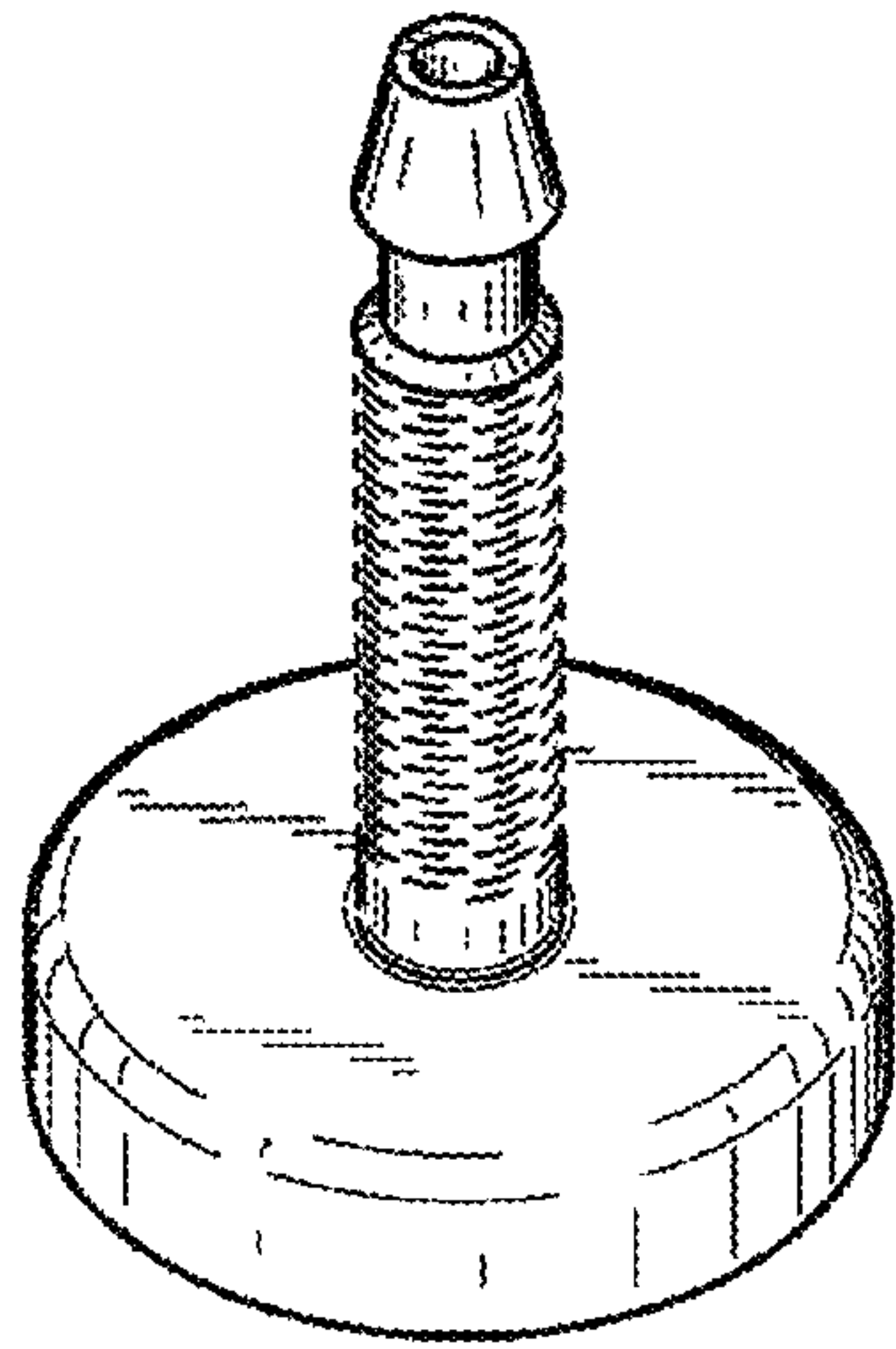


Fig. 6

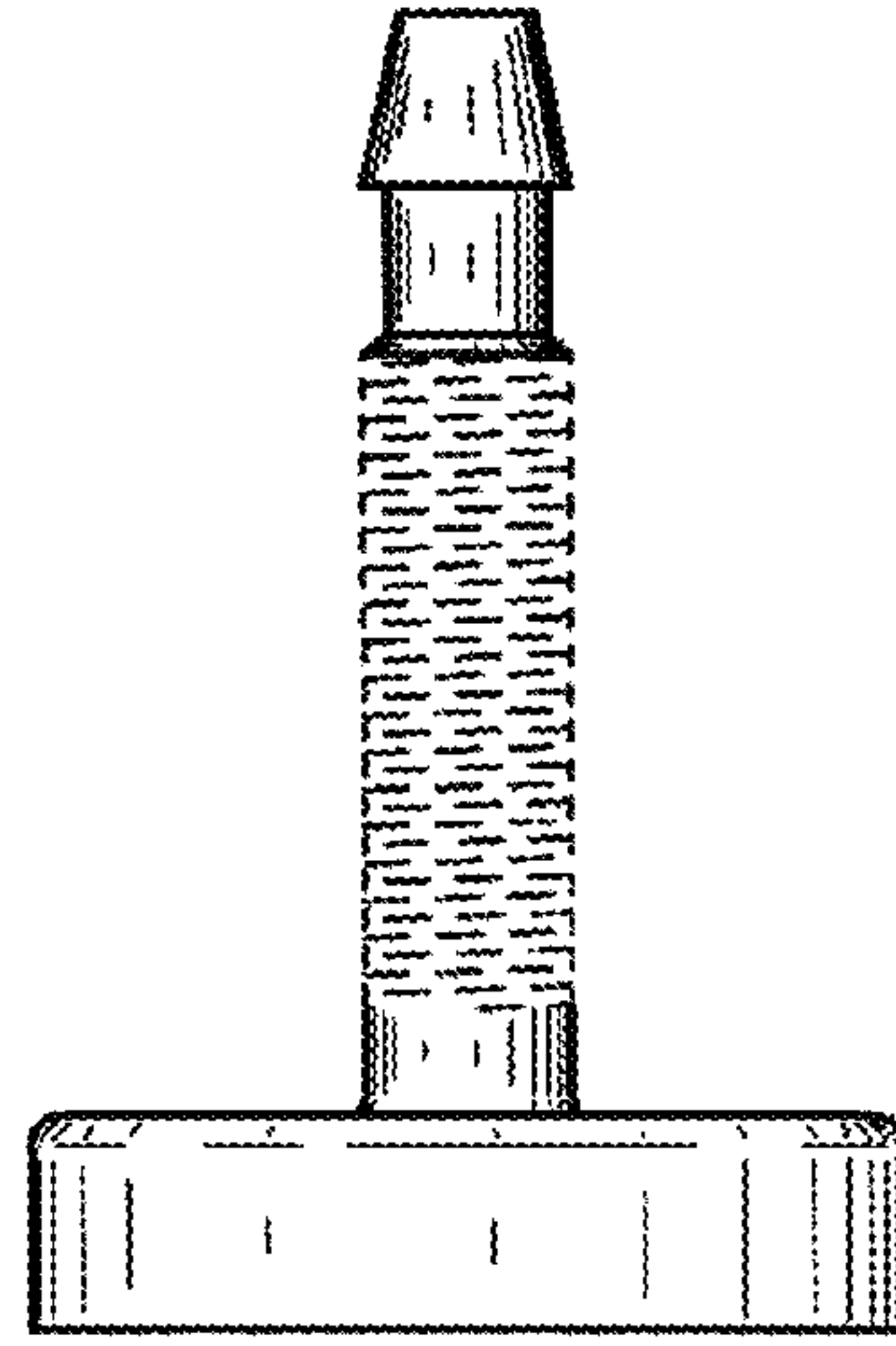


Fig. 7

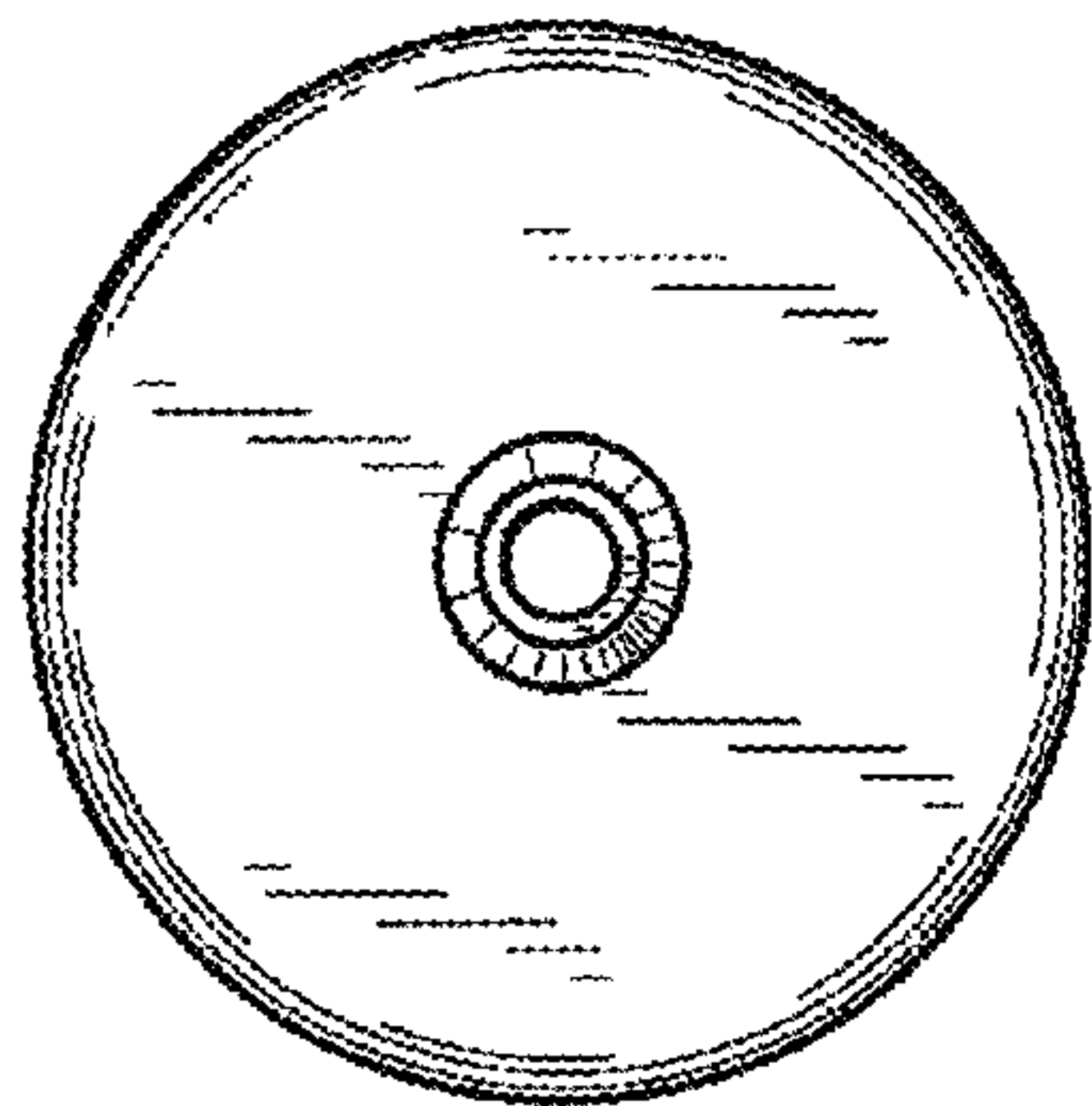


Fig. 8

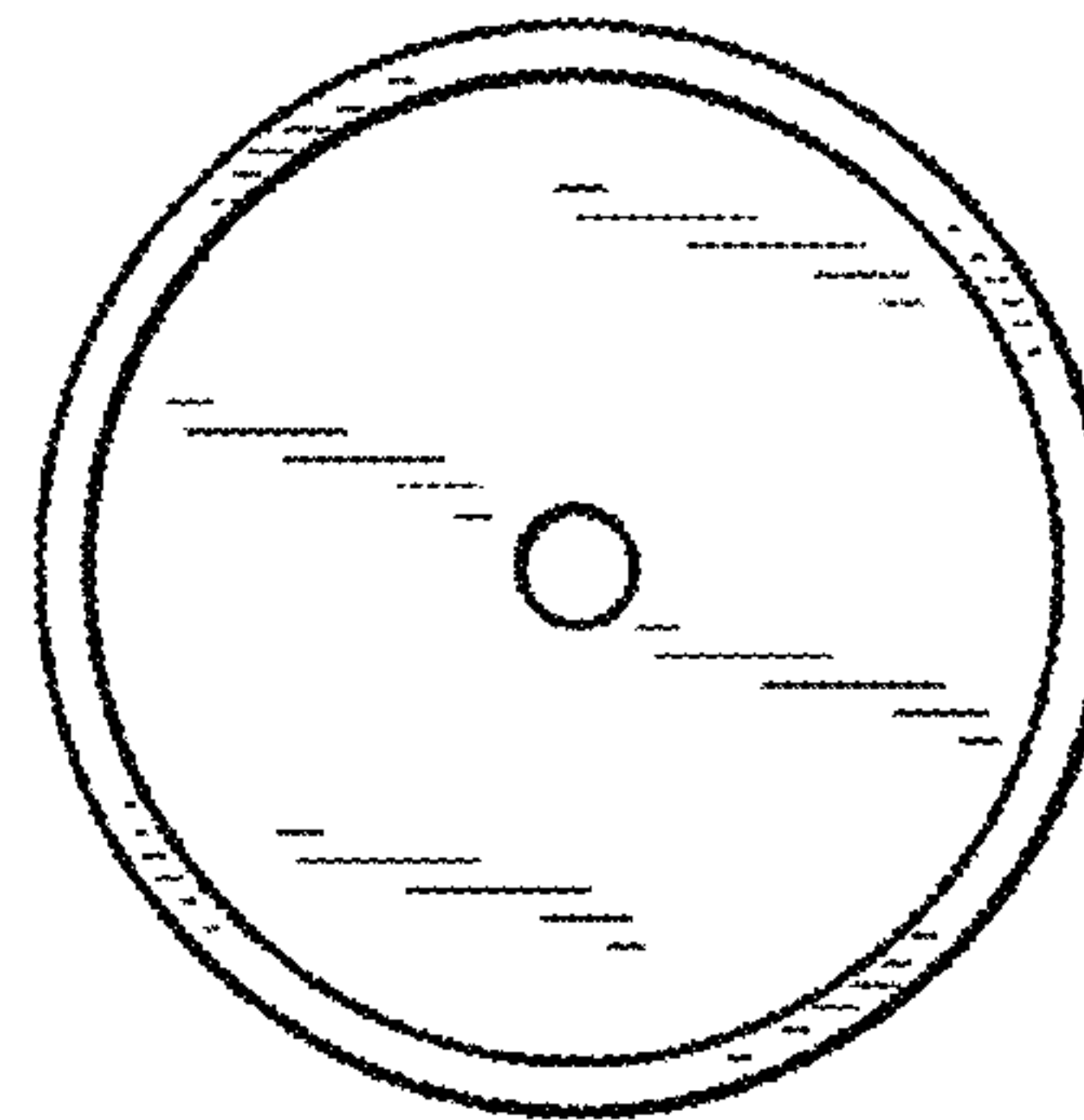


Fig. 9

UNITED STATES PATENT AND TRADEMARK OFFICE
CERTIFICATE OF CORRECTION

PATENT NO. : D747,785 S
APPLICATION NO. : 29/512426
DATED : January 19, 2016
INVENTOR(S) : John Ruprecht

Page 1 of 1

It is certified that error appears in the above-identified patent and that said Letters Patent is hereby corrected as shown below:

On the Title Page

Under [56] References Cited

U.S. PATENT DOCUMENTS

Insert --RapidPure water filter brochure - published October 2012 (2 pages).--

Signed and Sealed this
Twenty-first Day of February, 2017



Michelle K. Lee
Director of the United States Patent and Trademark Office